



US00D838780S

(12) **United States Design Patent** (10) **Patent No.:** **US D838,780 S**
Wass et al. (45) **Date of Patent:** **** Jan. 22, 2019**

(54) **ELASTIC LOOP**

(71) Applicant: **Bedford Industries, Inc.**, Worthington, MN (US)

(72) Inventors: **Axel Wass**, Brewster, MN (US); **Curtis Heinrichs**, Sibley, IA (US)

(73) Assignee: **Bedford Industries, Inc.**, Worthington, MN (US)

(**) Term: **15 Years**

(21) Appl. No.: **29/567,837**

(22) Filed: **Jun. 13, 2016**

(51) **LOC (11) Cl.** **19-08**

(52) **U.S. Cl.**
USPC **D20/22**

(58) **Field of Classification Search**
USPC D20/10, 11, 22-29, 35, 39, 40-43, 99;
D8/356; D11/6
CPC G09F 1/00; G09F 1/02; G09F 2003/023;
G09F 2003/0261; G09F 2003/0264; G09F
7/00; G09F 3/206; G09F 13/00; G09F
2007/1807; G09F 13/04; G09F
2013/0427;

(Continued)

(56) **References Cited**

U.S. PATENT DOCUMENTS

92,895 A 7/1869 Southworth
109,263 A 11/1870 Southworth et al.
(Continued)

FOREIGN PATENT DOCUMENTS

GB 451036 7/1936
NL 1016806 C1 6/2002
(Continued)

Primary Examiner — Mary Ann Calabrese

Assistant Examiner — Sloan Rozin

(74) *Attorney, Agent, or Firm* — James L. Young;
Westman, Champlin & Koehler, P.A.

(57) **CLAIM**

The ornamental design for an elastic loop, as shown and described.

DESCRIPTION

FIG. 1 is a perspective view of a first embodiment thereof; FIG. 2 is a side view thereof (from the lower left side of FIG. 1);

FIG. 3 is a top view thereof;

FIG. 4 is an end view thereof (from the left end of FIG. 3);

FIG. 5 is an end view thereof (from the right end of FIG. 3);

FIG. 6 is a side view thereof (from the upper right side of FIG. 1);

FIG. 7 is a bottom view thereof;

FIG. 8 is a perspective view of a second embodiment thereof;

FIG. 9 is a side view thereof (from the lower left of FIG. 8);

FIG. 10 is a top view thereof;

FIG. 11 is an end view thereof (from the left end of FIG. 10);

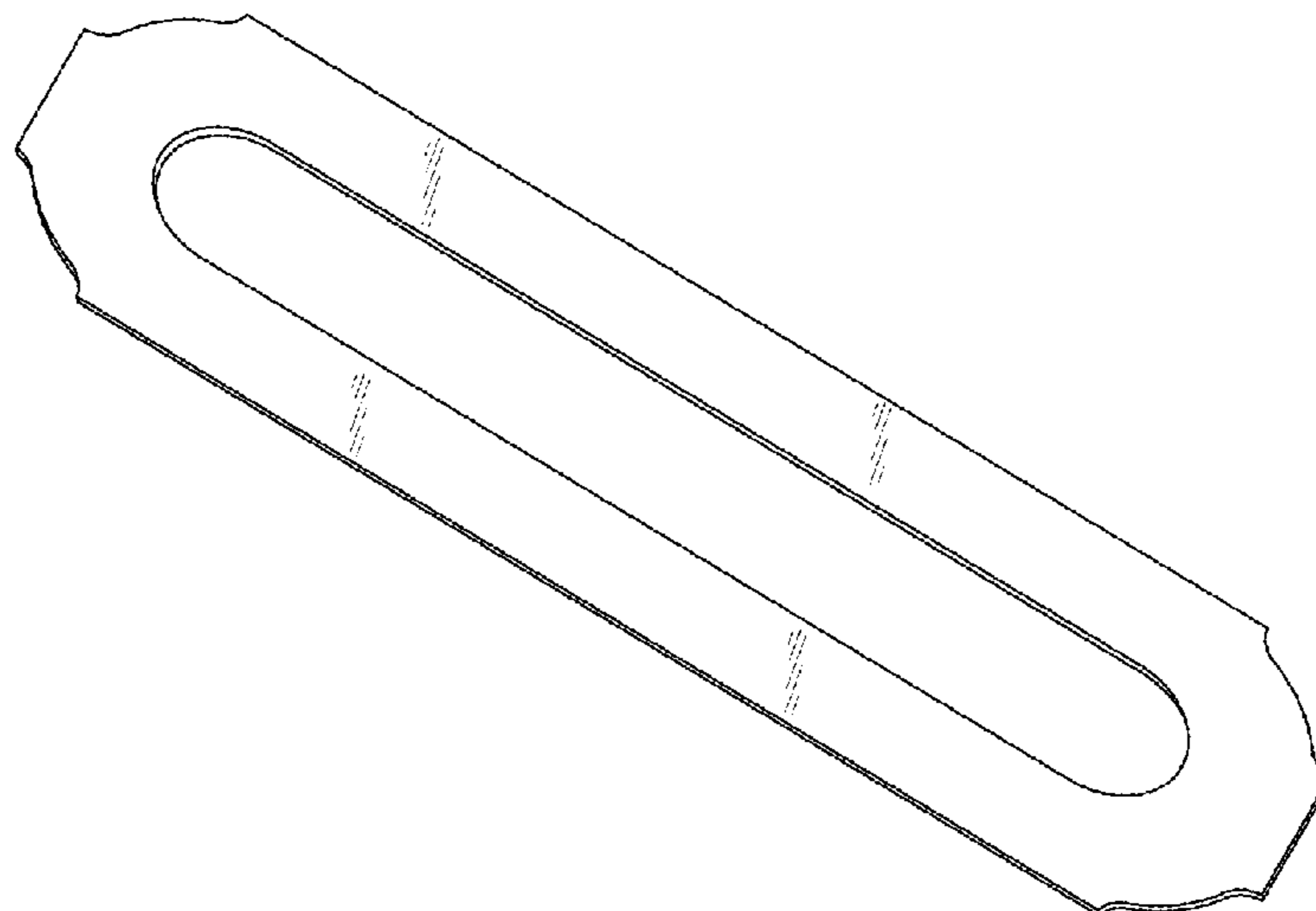
FIG. 12 is an end view thereof (from the right end of FIG. 10);

FIG. 13 is a side view thereof (from the upper right side of FIG. 8); and,

FIG. 14 is a bottom thereof.

The evenly spaced broken lines are for the purpose of illustrating environment and form no part of the claimed design. The dot-dash-dot broken-away heavy weight lines in FIGS. 8, 10, and 14 themselves form no part of the claimed invention, and are provided to indicate that any portion of the article beyond what is shown forms no part of the claimed design. The short-long-short dash lines shown in the drawings are cut lines.

1 Claim, 3 Drawing Sheets



(58) **Field of Classification Search**
 CPC .. G09F 2013/0495; G09F 3/0295; G09D 3/00
 See application file for complete search history.

(56) **References Cited**

U.S. PATENT DOCUMENTS

161,145	A	3/1875	Moder	
212,578	A	2/1879	Smith	
224,958	A	2/1880	Rowland	
381,879	A	4/1888	Howard	
D28,619	S	5/1898	McFadden	
D44,124	S *	6/1913	Clements	D19/1
1,221,572	A	4/1917	Morton	
1,397,079	A	11/1921	Cohen	
D63,105	S *	10/1923	King	D19/1
D64,864	S *	6/1924	Pitney	D19/12
1,830,410	A	11/1931	Schaaf et al.	
1,926,553	A *	9/1933	Morse	G09F 3/10 156/230
1,929,320	A	10/1933	Lulham	
D114,257	S *	4/1939	Blanchard	D19/1
2,194,220	A	3/1940	Elder	
2,194,898	A	3/1940	Hanford	
D123,663	S *	11/1940	Bristol	D20/22
2,362,523	A	11/1944	Armstrong	
2,516,292	A	7/1950	Bennett	
2,516,929	A	8/1950	Van Ackeren	
2,635,604	A	4/1953	Fredrickson	
2,669,047	A	2/1954	Rieger	
3,164,250	A	1/1965	Paxton	
3,436,719	A *	4/1969	Scheinbaum	H01M 2/22 439/504
3,545,795	A	12/1970	Hertel et al.	
3,602,957	A	9/1971	Chang	
3,621,809	A	11/1971	Paxton	
3,635,637	A	1/1972	Morita et al.	
3,744,658	A	7/1973	Fujio	
3,749,622	A	7/1973	Sato et al.	
3,765,113	A	10/1973	Magee	
3,777,378	A	12/1973	Sant'Anselmo	
3,807,679	A	4/1974	Burke et al.	
3,896,524	A	7/1975	Parker	
3,930,506	A	1/1976	Overend	
3,933,560	A	1/1976	Muttera	
3,955,656	A	5/1976	Kashinski	
4,079,875	A	3/1978	Zodrow	
4,119,449	A	10/1978	Gould et al.	
D251,121	S	2/1979	Smith	
4,296,861	A	10/1981	Barrash	
4,341,303	A	7/1982	Britt	
4,363,401	A	12/1982	Savagian	
4,390,095	A	6/1983	Cunningham	
4,407,082	A	10/1983	Stehouwer	
4,412,624	A	11/1983	Tanaka	
4,413,741	A	11/1983	Curchack	
4,433,498	A	2/1984	Bienz	
4,460,143	A	7/1984	Ohama	
4,519,178	A	5/1985	Crabb, Jr.	
4,540,619	A	9/1985	Watanabe	
4,712,671	A	12/1987	Salacuse	
4,916,841	A	4/1990	Dawson	
5,087,306	A	2/1992	Cheung et al.	

5,279,019	A	1/1994	Knickle	
5,292,566	A	3/1994	Shacklett, III	
5,322,724	A	6/1994	Levens	
5,348,781	A	9/1994	Koblella	
5,363,576	A	11/1994	Piana et al.	
5,367,752	A	11/1994	Petty	
5,467,897	A	11/1995	Williams	
5,490,658	A	2/1996	Coward et al.	
5,531,696	A	7/1996	Menes	
5,617,656	A	4/1997	Ludlow et al.	
D386,211	S	11/1997	Taparauskas, Jr.	
5,697,177	A	12/1997	Ludlow et al.	
5,733,652	A	3/1998	Stowman et al.	
5,778,583	A	7/1998	Larsen	
5,782,495	A	7/1998	Grosskopf et al.	
6,024,225	A	2/2000	Van der Donk et al.	
6,036,234	A	3/2000	Chess	
6,058,639	A	5/2000	Tinklenberg et al.	
D428,930	S *	8/2000	Dunlap	D20/22
6,116,653	A	9/2000	Oberholzer et al.	
6,279,255	B1	8/2001	Larsen	
6,381,890	B1	5/2002	Sjostedt	
6,490,821	B1	12/2002	Lacek	
6,688,023	B1	2/2004	Gwen	
6,701,532	B1	3/2004	Glassberg et al.	
6,766,917	B1	7/2004	Blewitt, III	
D494,998	S *	8/2004	Blanke, Jr.	D19/12
6,810,811	B2	11/2004	Grounds et al.	
D504,766	S *	5/2005	Cassinelli	D3/208
7,086,545	B2	8/2006	Mannion et al.	
D532,049	S	11/2006	Ludlow	
7,281,345	B2	10/2007	Ludlow et al.	
D555,723	S *	11/2007	Farr	340/572.1
7,763,135	B1	7/2010	Maltas et al.	
7,922,022	B2	4/2011	Ciarrocchi, Jr.	
8,047,387	B2	11/2011	Chalekian et al.	
D686,415	S *	7/2013	Sassi	D3/318
D693,813	S *	11/2013	Symons	D14/432
D712,154	S *	9/2014	Schiller	D3/328
D723,621	S *	3/2015	Heinrichs	D20/22
9,248,469	B2 *	2/2016	Spreck	B05D 3/12
D756,022	S *	5/2016	Shipman	D26/113
D756,028	S *	5/2016	Shipman	D26/113
9,355,577	B1	5/2016	Coleman et al.	
D762,985	S *	8/2016	Schiller	D3/328
2003/0150919	A1	8/2003	Blank	
2004/0028865	A1	2/2004	Sellars	
2005/0138854	A1	6/2005	Simmons	
2005/0166439	A1	8/2005	Ludlow et al.	
2005/0173073	A1	8/2005	Chemoff	
2006/0086028	A1	4/2006	Vaughan	
2008/0301853	A1	12/2008	Cummiskey et al.	
2009/0188144	A1	7/2009	Ludlow et al.	
2010/0006587	A1	1/2010	Newmark	
2010/0035010	A9	2/2010	Sellars	
2010/0139133	A1	6/2010	Adams	
2013/0239449	A1	9/2013	Heinrichs	

FOREIGN PATENT DOCUMENTS

WO	2007084119	A1	7/2007
WO	2014036246	A1	3/2014

* cited by examiner

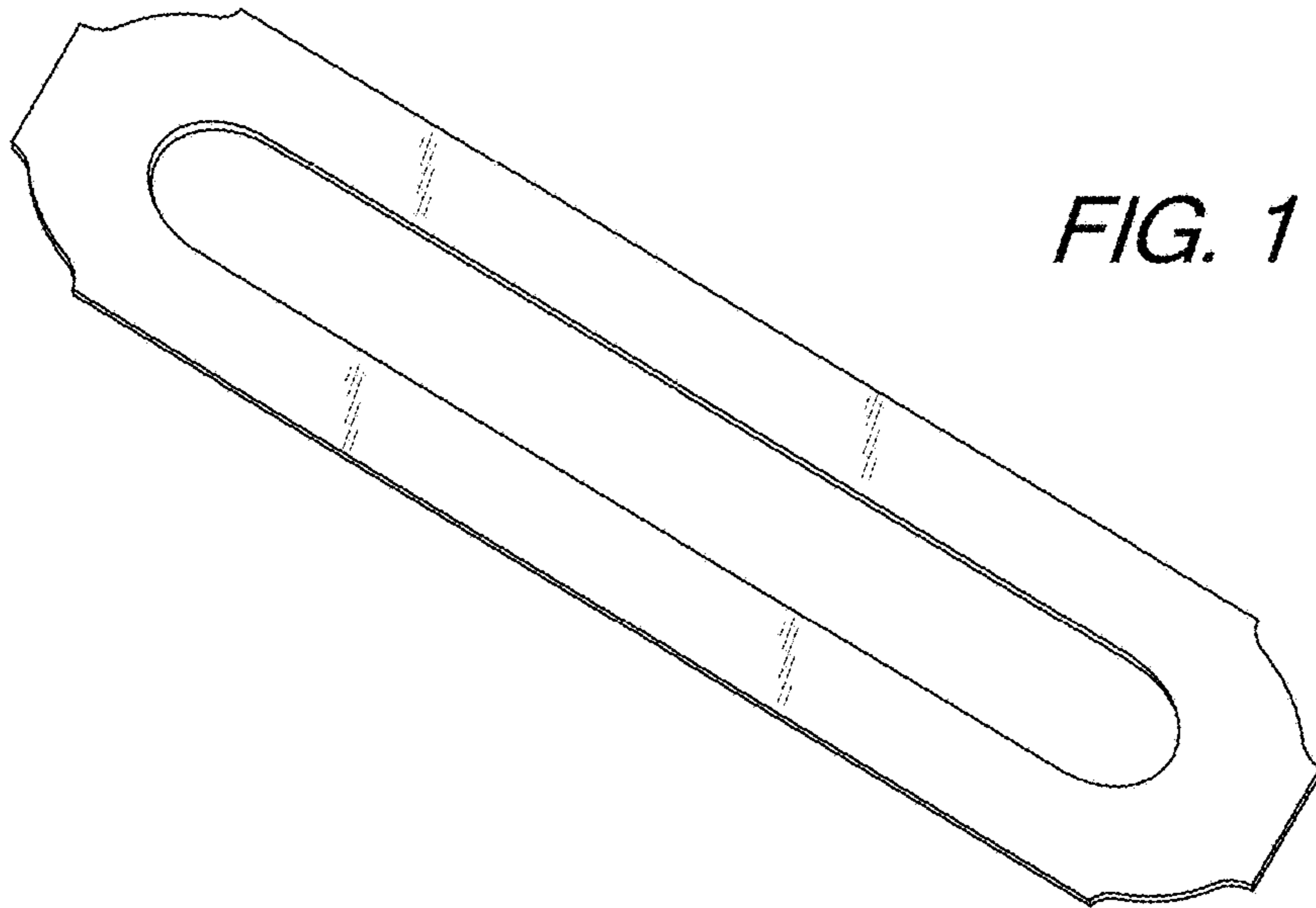


FIG. 1

FIG. 2

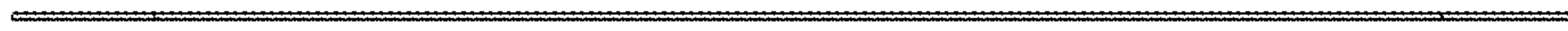


FIG. 3

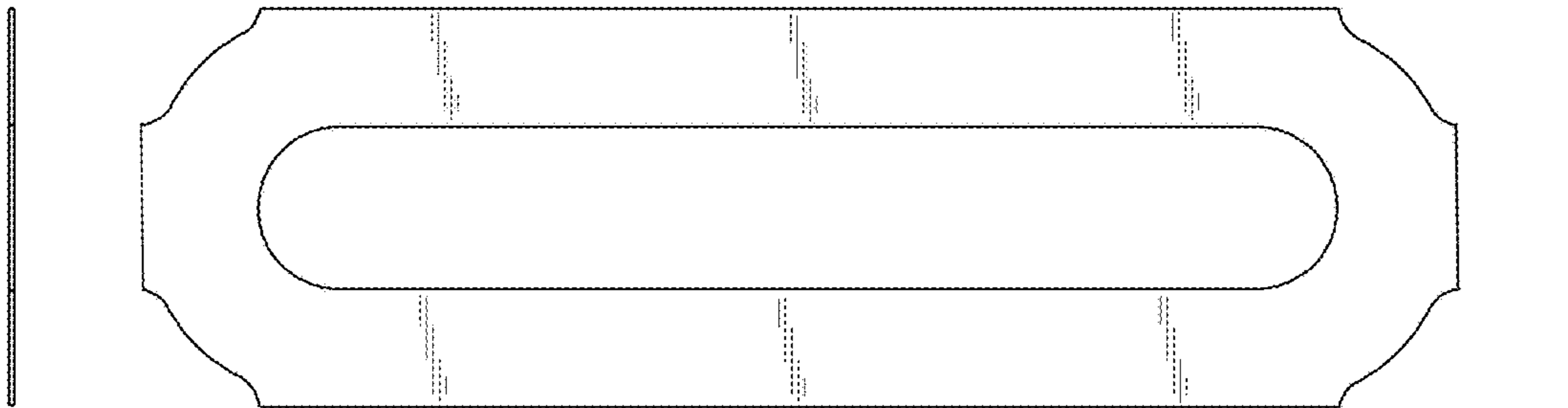


FIG. 4

FIG. 6

FIG. 5

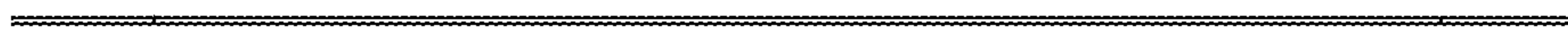
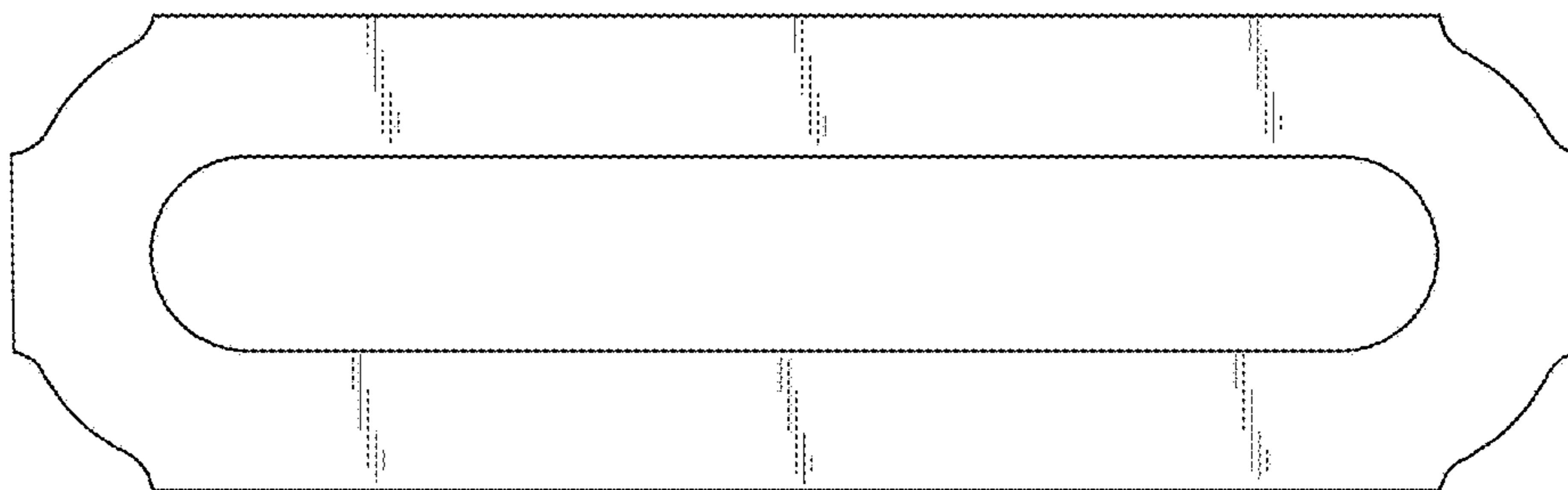


FIG. 7



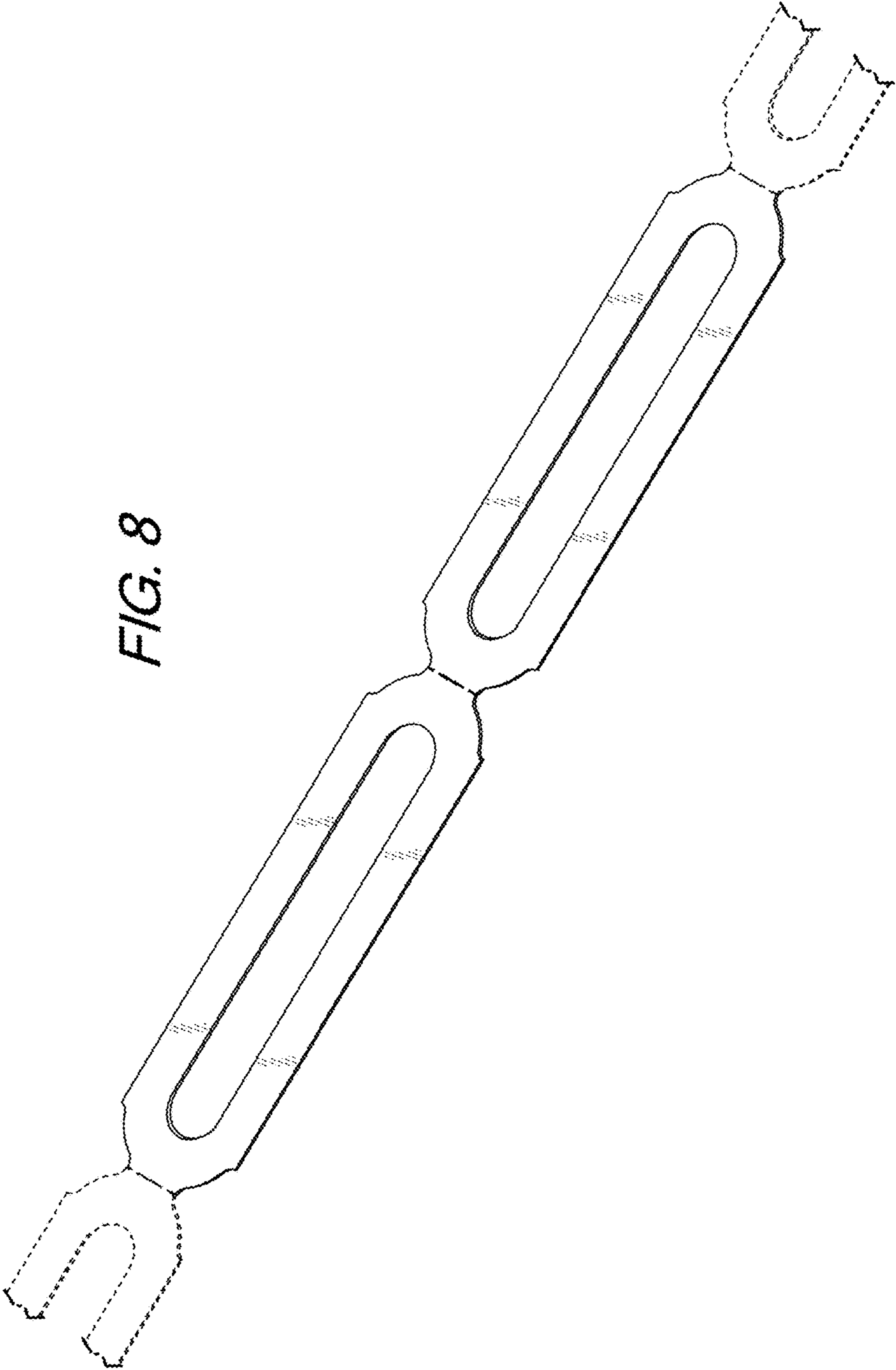


FIG. 8

FIG. 9



FIG. 10

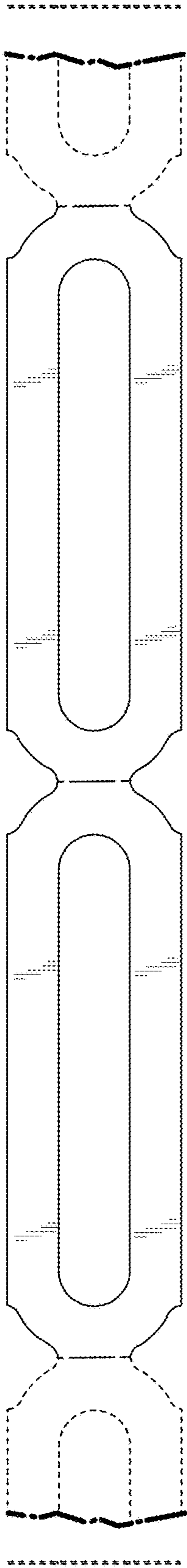


FIG. 11

FIG. 12

FIG. 13

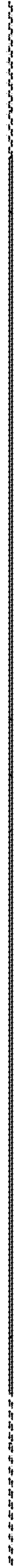
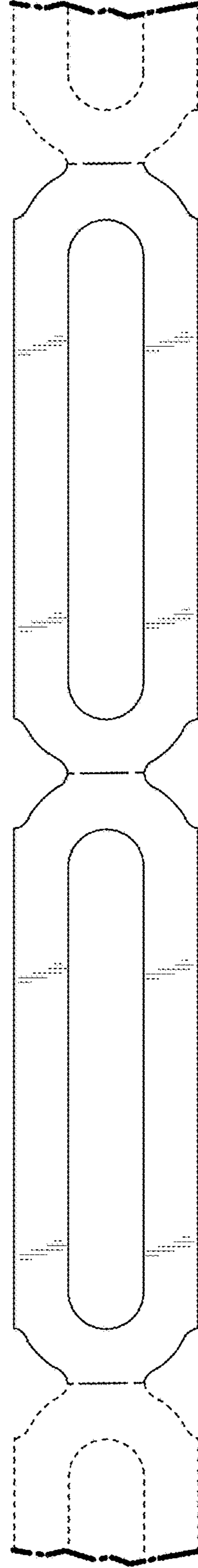


FIG. 14



UNITED STATES PATENT AND TRADEMARK OFFICE
CERTIFICATE OF CORRECTION

PATENT NO. : D838,780 S
APPLICATION NO. : 29/567837
DATED : January 22, 2019
INVENTOR(S) : Axel Wass et al.

Page 1 of 1

It is certified that error appears in the above-identified patent and that said Letters Patent is hereby corrected as shown below:

On the Title Page

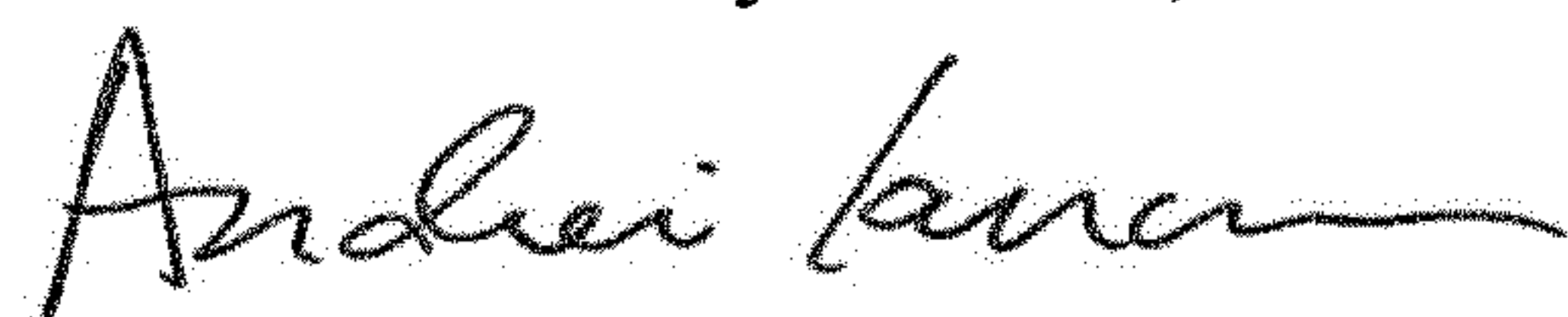
DESCRIPTION:

1. Please replace "FIG. 12 is an end view thereof (from he right end of FIG. 10);" with "FIG. 12 is an end view thereof (from the right end of FIG. 10);"

And

2. Please replace "FIG. 13 is a side view thereof (from he upper right side of FIG. 8); and," with "FIG. 13 is a side view thereof (from the upper right side of FIG. 8); and,"

Signed and Sealed this
Eleventh Day of June, 2019



Andrei Iancu
Director of the United States Patent and Trademark Office