



US00D838778S

(12) **United States Design Patent**
Nakata

(10) **Patent No.:** **US D838,778 S**

(45) **Date of Patent:** **** Jan. 22, 2019**

- (54) **BALLPOINT PEN**
- (71) Applicant: **KOTOBUKI & CO., LTD.**,
Kawagoe-shi (JP)
- (72) Inventor: **Takaaki Nakata**, Kawagoe (JP)
- (73) Assignee: **KOTOBUKI & CO., LTD.**,
Saitama-Ken (JP)
- (**) Term: **15 Years**
- (21) Appl. No.: **29/616,735**
- (22) Filed: **Sep. 8, 2017**

D236,917 S *	9/1975	Melnick	D19/168
D273,017 S *	3/1984	Bertrac	D19/168
D282,553 S *	2/1986	LeBlanc	D19/163
D282,753 S *	2/1986	LeBlanc	D19/163
D333,486 S *	2/1993	Rousseau	D19/164
D360,433 S *	7/1995	Payne	D19/174
D367,673 S *	3/1996	Compte	D19/164
D367,887 S *	3/1996	Compte	D19/174
D368,930 S *	4/1996	Payne	D19/168
6,019,536 A *	2/2000	Lee	B43K 5/005 40/334
D445,454 S *	7/2001	Martens	D19/170
D452,271 S *	12/2001	Owen	D19/164
D488,508 S *	4/2004	Finney	D19/164
D544,541 S *	6/2007	Li	D19/166
D598,952 S *	8/2009	Kushner	D19/123
D600,281 S *	9/2009	Delancourt	D19/170

(Continued)

(30) **Foreign Application Priority Data**

Mar. 21, 2017 (JP) 2017-005641

- (51) **LOC (11) Cl.** **19-06**
- (52) **U.S. Cl.**
USPC **D19/170; D19/917**
- (58) **Field of Classification Search**
USPC D14/411; D19/115-204
CPC . B43K 5/005; B43K 7/12; B43K 8/04; B43K
8/06; B43K 19/00; B43K 19/02; B43K
19/14; B43K 21/006; B43K 21/06
See application file for complete search history.

(56) **References Cited**

U.S. PATENT DOCUMENTS

D87,067 S *	5/1932	Kolber	D19/163
D99,212 S *	4/1936	Peters	D19/179
D140,697 S *	3/1945	Lovejoy	D19/179
2,637,906 A *	5/1953	Giossi	B43K 29/001 33/27.02
D191,998 S *	12/1961	Doman	D19/179
D201,231 S *	5/1965	Jenkins	D19/174
D220,139 S *	3/1971	Di Spirito	D19/170
D229,357 S *	11/1973	Defores	D19/170
D234,226 S *	1/1975	Maim et al.	D10/49

Primary Examiner — Elizabeth A. Albert

(74) *Attorney, Agent, or Firm* — Frost Brown Todd LLC

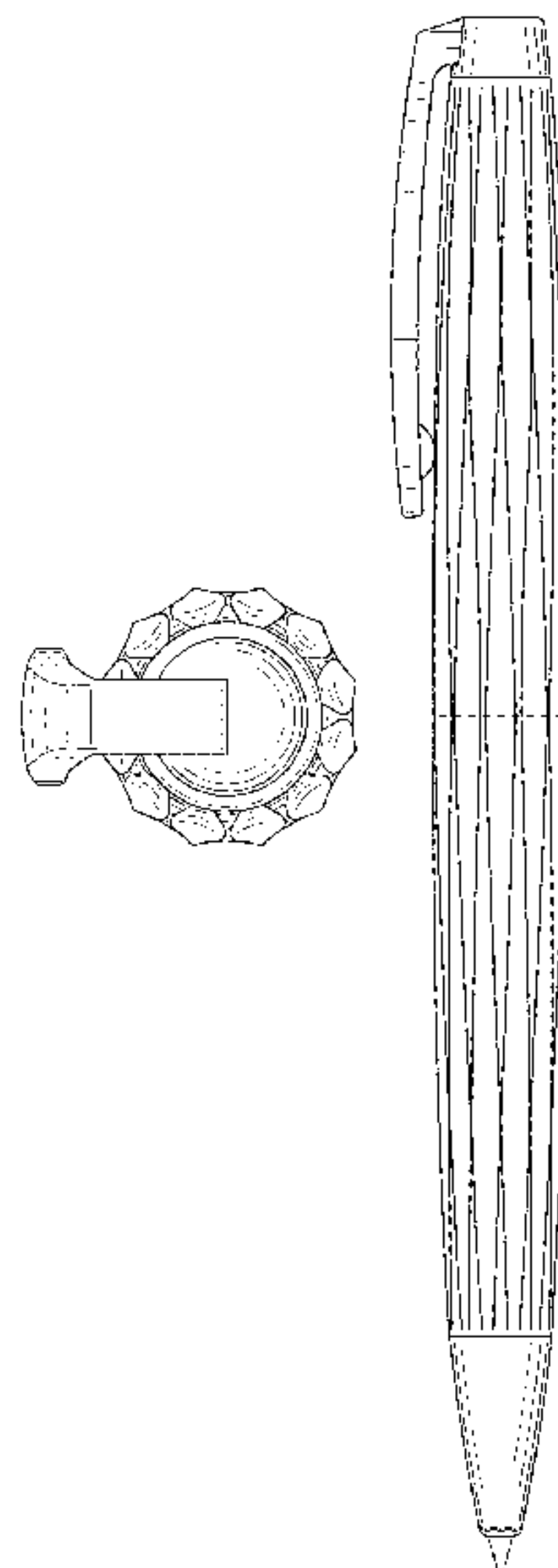
(57) **CLAIM**

The ornamental design for a ballpoint pen, as shown and described.

DESCRIPTION

FIG. 1 is a perspective view of a ballpoint pen showing my new design;
 FIG. 2 is a left side view of FIG. 1, the right side view being a mirror image of that shown in the left side view;
 FIG. 3 is an enlarged top view of FIG. 1;
 FIG. 4 is an enlarged bottom view of FIG. 1;
 FIG. 5 is a front view of FIG. 1;
 FIG. 6 is a back view of FIG. 1;
 FIG. 7 is an enlarged cross-sectional view taken along the line 7-7 of FIG. 2;
 FIG. 8 is an enlarged cross-sectional view taken along the line 8-8 of FIG. 2; and,
 FIG. 9 is a left side view of FIG. 1 with the pen tip moved to a distal position.

1 Claim, 7 Drawing Sheets



(56)

References Cited

U.S. PATENT DOCUMENTS

D618,724 S	*	6/2010	Gerules	D19/168
D655,340 S	*	3/2012	Liu	D19/170
D685,849 S	*	7/2013	Hern	D19/174

* cited by examiner



Fig. 1

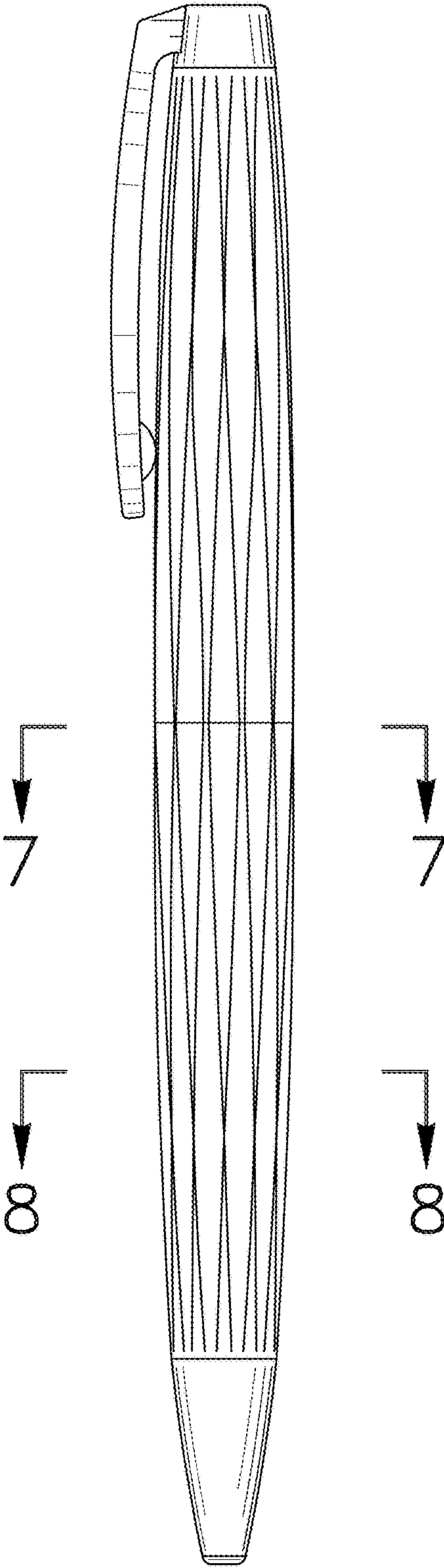


Fig.2

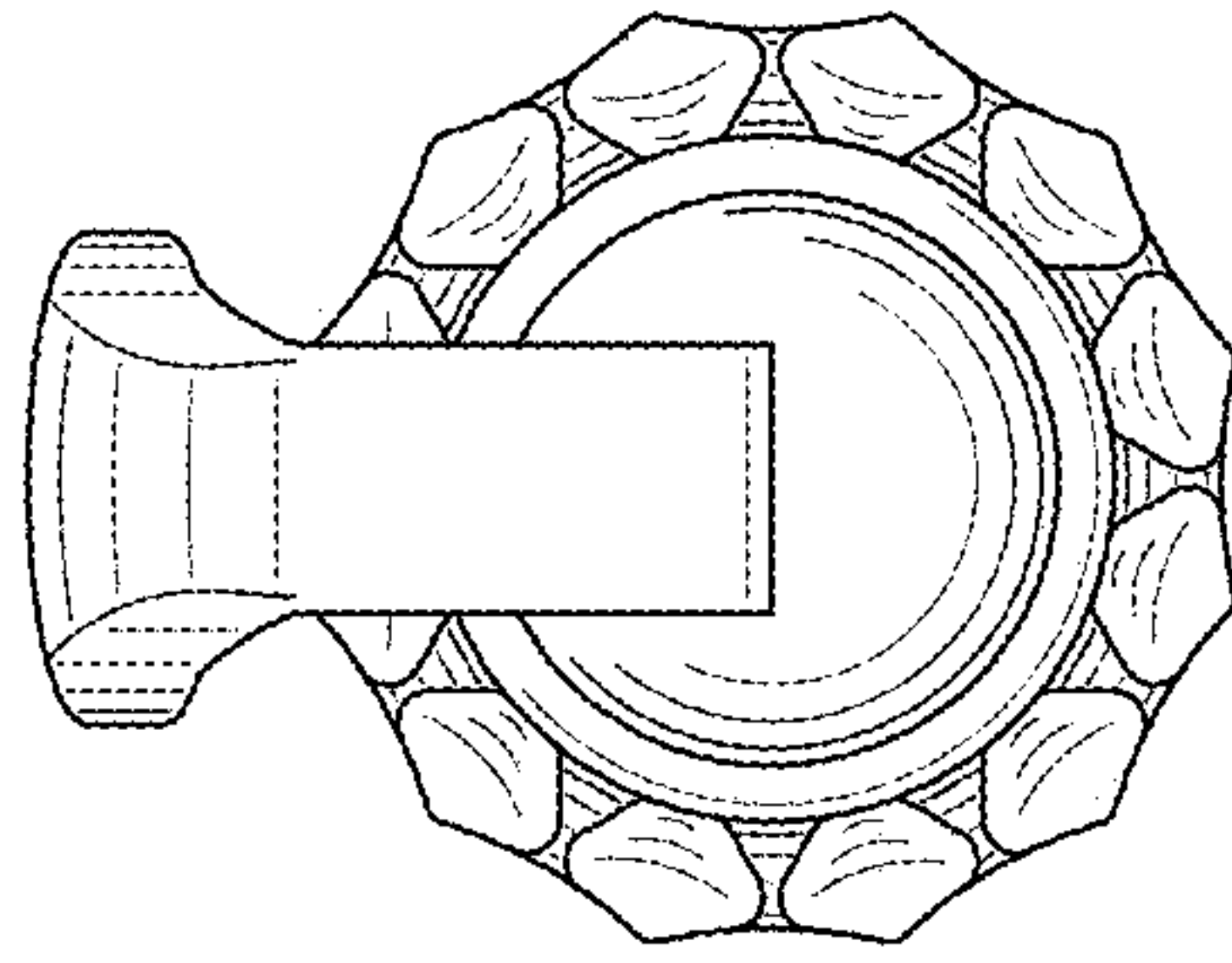


Fig.3

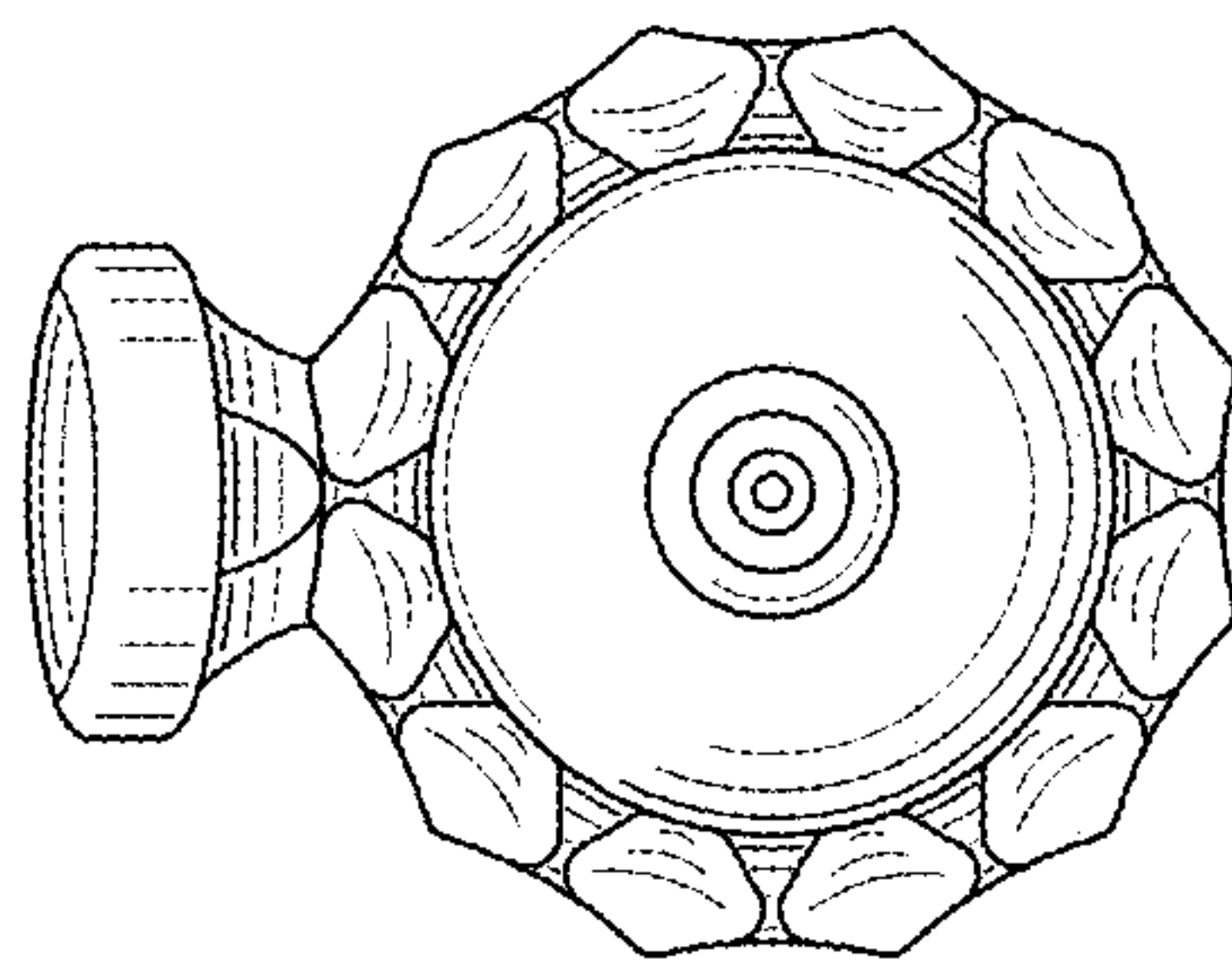


Fig.4

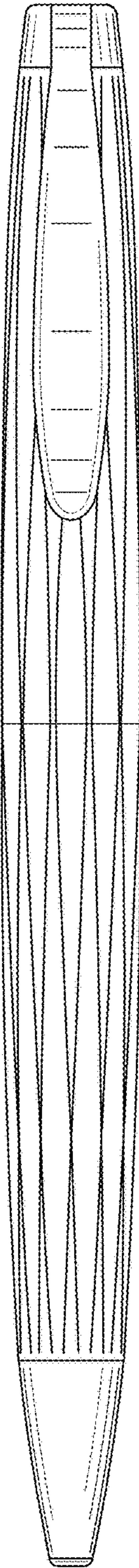


Fig.5

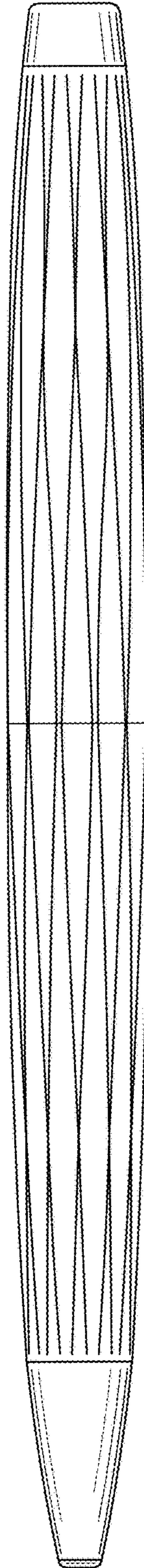


Fig.6

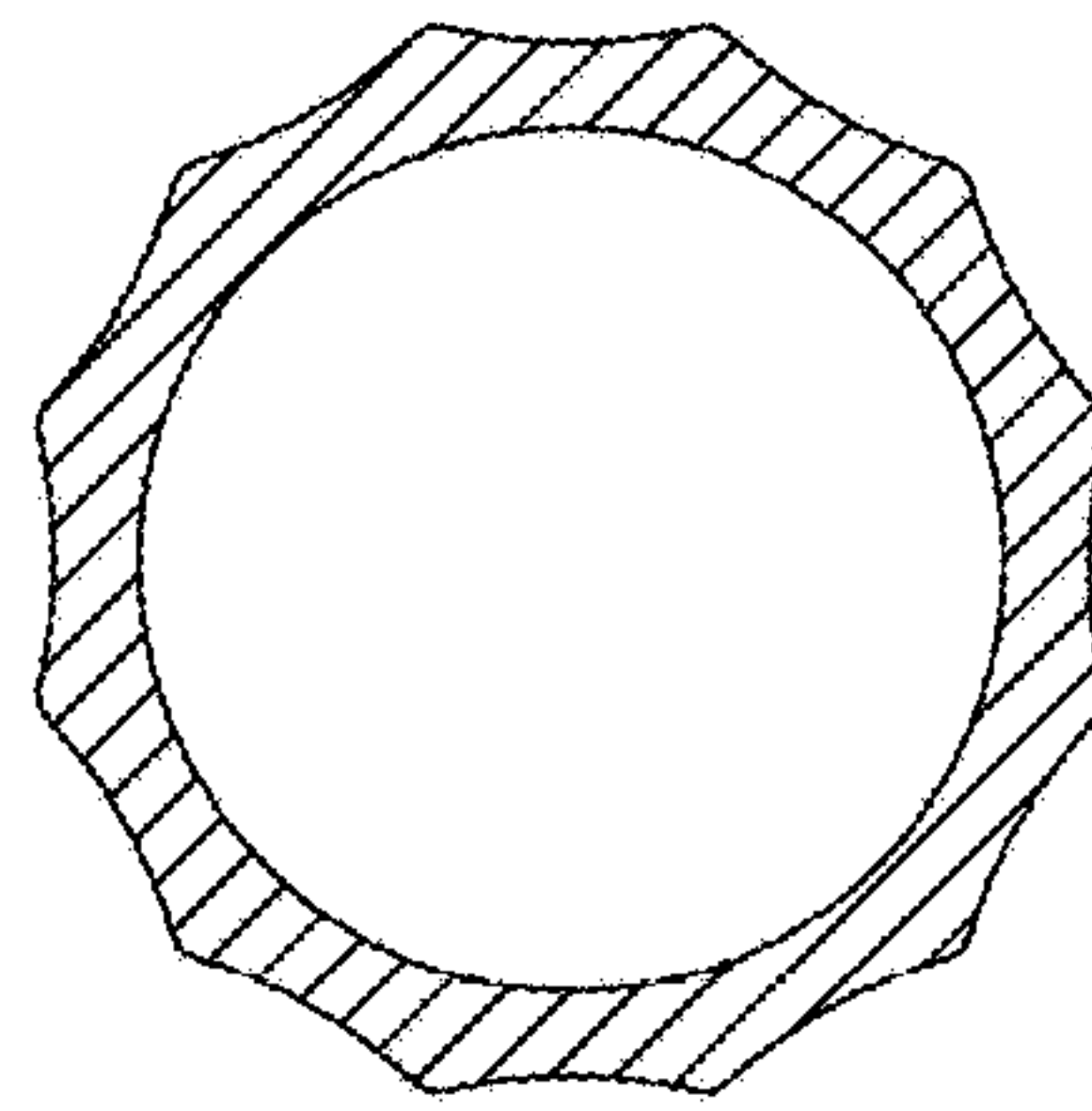


Fig. 7

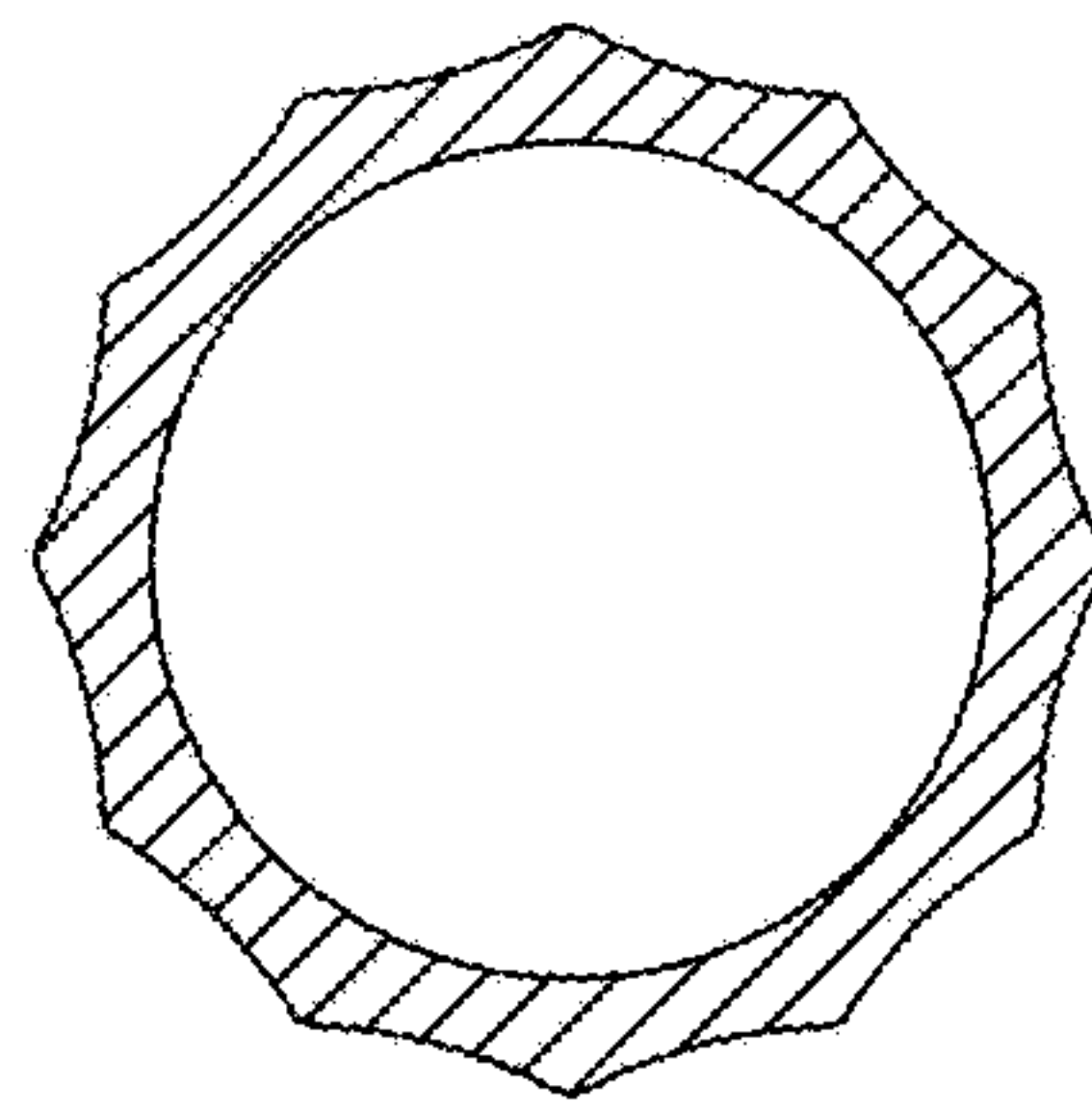


Fig. 8

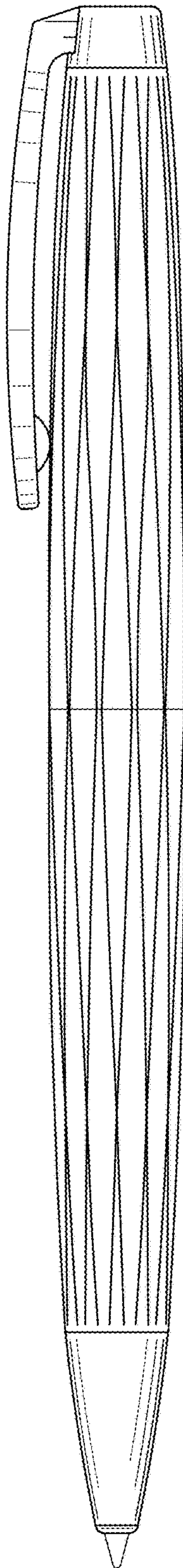


Fig. 9