



US00D838776S

(12) **United States Design Patent**
Katav et al.

(10) **Patent No.:** **US D838,776 S**

(45) **Date of Patent:** **** Jan. 22, 2019**

(54) **INTERLOCKING PIECE WITH PAINTABLE DISPLAY FACE**

(71) Applicant: **Cupixel, Inc.**, Newton, MA (US)

(72) Inventors: **Elad Katav**, Newton, MA (US); **Avner Sadot**, Tel Aviv (IL); **Yoav Dracher**, Tel Aviv (IL); **Guy Dvir**, Tel Aviv (IL)

(73) Assignee: **Cupixel, Inc.**, Newton, MA (US)

(**) Term: **15 Years**

(21) Appl. No.: **29/609,124**

(22) Filed: **Jun. 28, 2017**

(51) **LOC (11) Cl.** **19-06**

(52) **U.S. Cl.**
USPC **D19/113; D6/300**

(58) **Field of Classification Search**
USPC D6/300; D11/132, 184; D19/1, 113, D19/100; D21/478-480
CPC A47G 1/065; A47G 1/0633; A63F 9/12; A63F 9/1208; B44D 3/18
See application file for complete search history.

(56) **References Cited**

U.S. PATENT DOCUMENTS

1,189,527 A	7/1916	Barnhart	
D166,882 S	5/1952	Schlage	
3,334,798 A *	8/1967	Pezely, Jr.	A63F 9/1204 206/523
3,546,792 A	12/1970	Sherman	
D230,808 S *	3/1974	Edwards	D11/132
3,873,096 A	3/1975	Shoptaugh	
4,099,887 A *	7/1978	Mackenroth	A63H 33/065 403/4
4,258,497 A	3/1981	Ellison	
D261,208 S *	10/1981	Whiting	D6/300
D269,728 S *	7/1983	Ohanian	D19/113
4,534,563 A	8/1985	Guenther	

4,777,067 A	10/1988	Woronow et al.	
4,912,863 A *	4/1990	Harvey	A47G 1/065 40/730
D321,491 S *	11/1991	Stagl	D11/132
D324,073 S *	2/1992	Pinkos	D19/113
D371,244 S *	7/1996	Weshler	D6/300
D375,330 S	11/1996	Ritzman	
5,588,240 A *	12/1996	Zilliox	A47G 1/065 40/605

(Continued)

OTHER PUBLICATIONS

Co-Mo Cross & Little Box (via small puzzle collection blog), available 09/10/015, [online], [site visited Nov. 7, 2016]. Available from internet, <URL: <http://smallpuzzlecollection.blogspot.com/2015/09/co-mo-cross-little-box.html>.

(Continued)

Primary Examiner — Deanna L Pratt

(74) *Attorney, Agent, or Firm* — Foley Hoag LLP; Rajesh Vallabh

(57) **CLAIM**

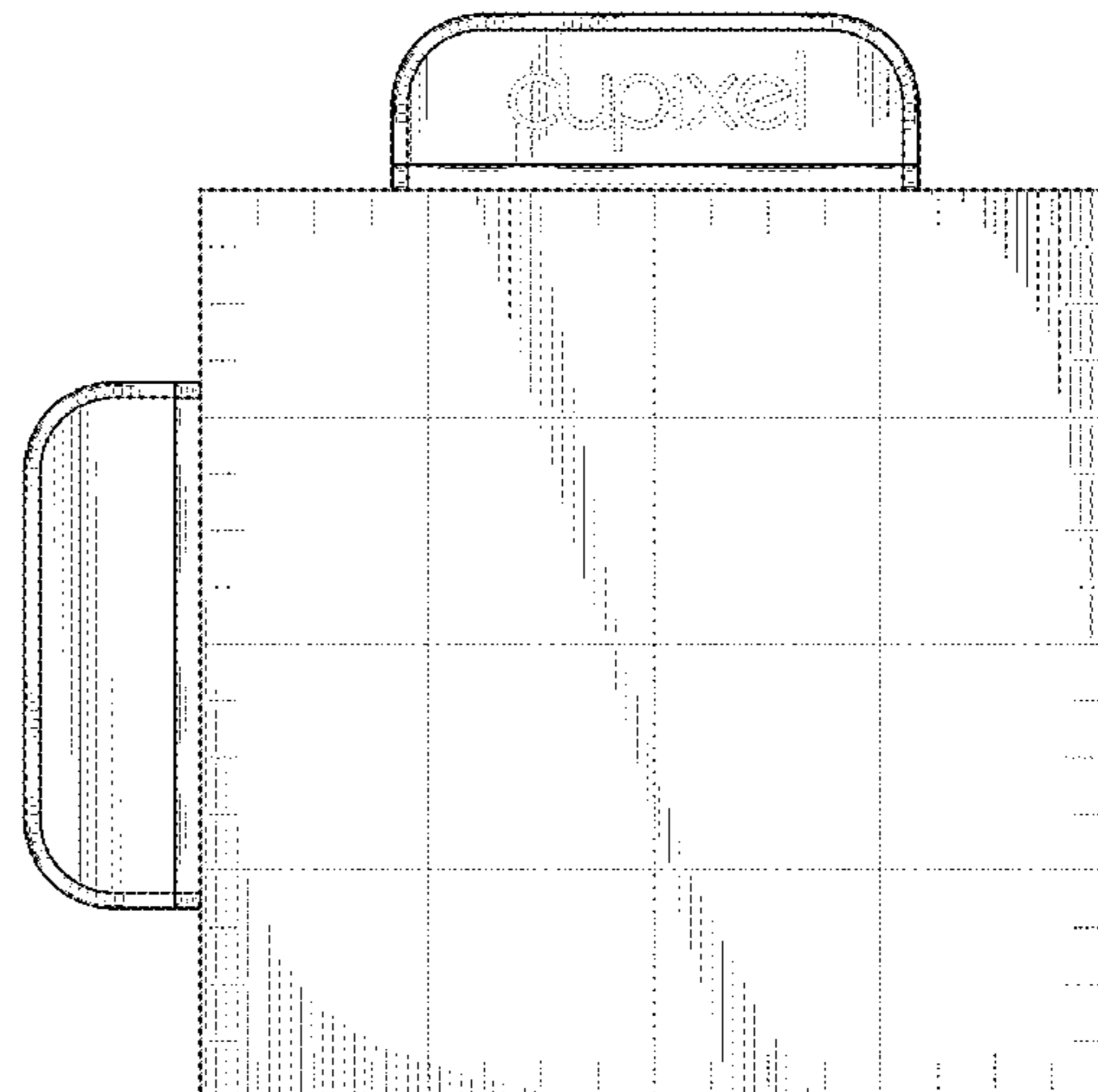
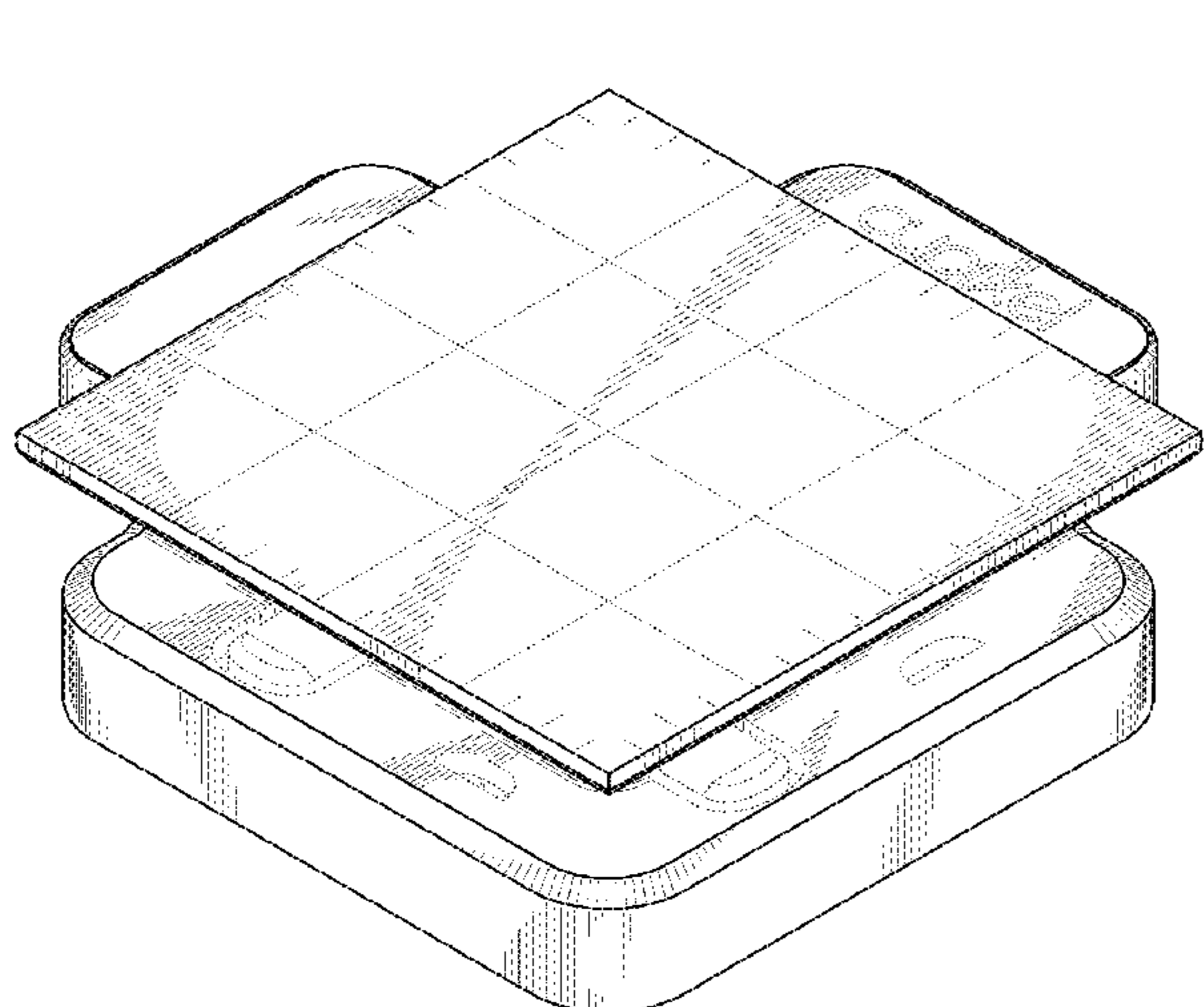
The ornamental design for an interlocking piece with paintable display face, as shown and described.

DESCRIPTION

FIG. 1 is a perspective view of an interlocking piece with paintable display face showing our new design;
FIG. 2 is a right side view thereof;
FIG. 3 is a top view thereof;
FIG. 4 is a front view thereof;
FIG. 5 is a bottom side view thereof;
FIG. 6 is a back view thereof; and,
FIG. 7 is a left side view thereof.

The portions shown in broken lines depict environmental subject matter only and do not form any part of the design.

1 Claim, 3 Drawing Sheets



(56)

References Cited

U.S. PATENT DOCUMENTS

D410,683 S * 6/1999 Carter D19/113
 D431,373 S * 10/2000 Zappitelli
 D437,490 S 2/2001 Vincent
 D444,970 S 7/2001 Briggs
 6,338,215 B1 1/2002 Vincent
 6,386,936 B1 5/2002 Gebara
 D473,349 S 4/2003 Willinger
 D499,151 S * 11/2004 Arabian D21/479
 D499,253 S * 12/2004 Gentry A47G 1/06
 D6/300
 7,080,927 B2 7/2006 Feuerborn et al.
 D540,045 S * 4/2007 McNally D6/300
 D574,936 S 8/2008 De Lima
 D575,478 S 8/2008 Hague
 D590,522 S * 4/2009 Tu D26/1
 D590,603 S 4/2009 Heuman
 D591,480 S 5/2009 Hague
 D596,861 S * 7/2009 Stas D6/300
 D656,744 S * 4/2012 Castiglioni D6/300
 D657,146 S * 4/2012 Castiglioni D6/300
 8,387,989 B2 3/2013 Baum
 D683,799 S 6/2013 Kiecker
 D696,348 S * 12/2013 Dilker D19/113
 D725,716 S 3/2015 Kaplan
 D734,820 S 7/2015 Lee
 D739,661 S * 9/2015 Vanderheyden D6/300
 D759,980 S * 6/2016 Toth D6/300
 D765,797 S 9/2016 Banik
 D766,361 S * 9/2016 Naficy D19/1
 D779,834 S * 2/2017 Ryan D6/300
 D784,452 S * 4/2017 Miller D19/113
 D784,709 S * 4/2017 Katav D11/131

D795,352 S * 8/2017 Moscatelli D21/386
 D816,164 S * 4/2018 Riccobono D19/113
 D819,128 S * 5/2018 Sowder D19/113
 D820,147 S * 6/2018 Echeverria D11/132
 2002/0121739 A1 9/2002 Sum
 2004/0051242 A1 3/2004 Munjic et al.
 2009/0300526 A1 * 12/2009 Port G06Q 30/02
 715/764
 2009/0317599 A1 12/2009 Heuman
 2010/0229442 A1 * 9/2010 Snow A47G 1/065
 40/761
 2014/0106108 A1 * 4/2014 Lin A63H 33/082
 428/58
 2014/0353455 A1 * 12/2014 Floyd A47G 1/0616
 248/467
 2015/0342373 A1 * 12/2015 Toth A47G 1/16
 428/58
 2016/0121234 A1 5/2016 Shih et al.

OTHER PUBLICATIONS

Patio Block, available Jun. 15, 2013, [online], [site visited Nov. 7, 2016]. Available from internet, <URL: <http://www.cs.brandeis.edu/storer/JimPuzzles/ZPAGES/zzzPatioBlock.html>.
 Quadrant I (via small puzzle collection blog), available Sep. 7, 2015, [online], [site visited Nov. 7, 2016]. Available from internet, <URL: <http://smallpuzzlecollection.blogspot.com/2015/09/quadrant-i.html>.
 The Three-Piece Block Puzzle (via johnrausch.com), available Jun. 30, 1998, [online], [site visited Nov. 7, 2016]. Available from internet, <URL: <http://www.johnrausch.com/PuzzlingWorld/chap04.htm>.

* cited by examiner

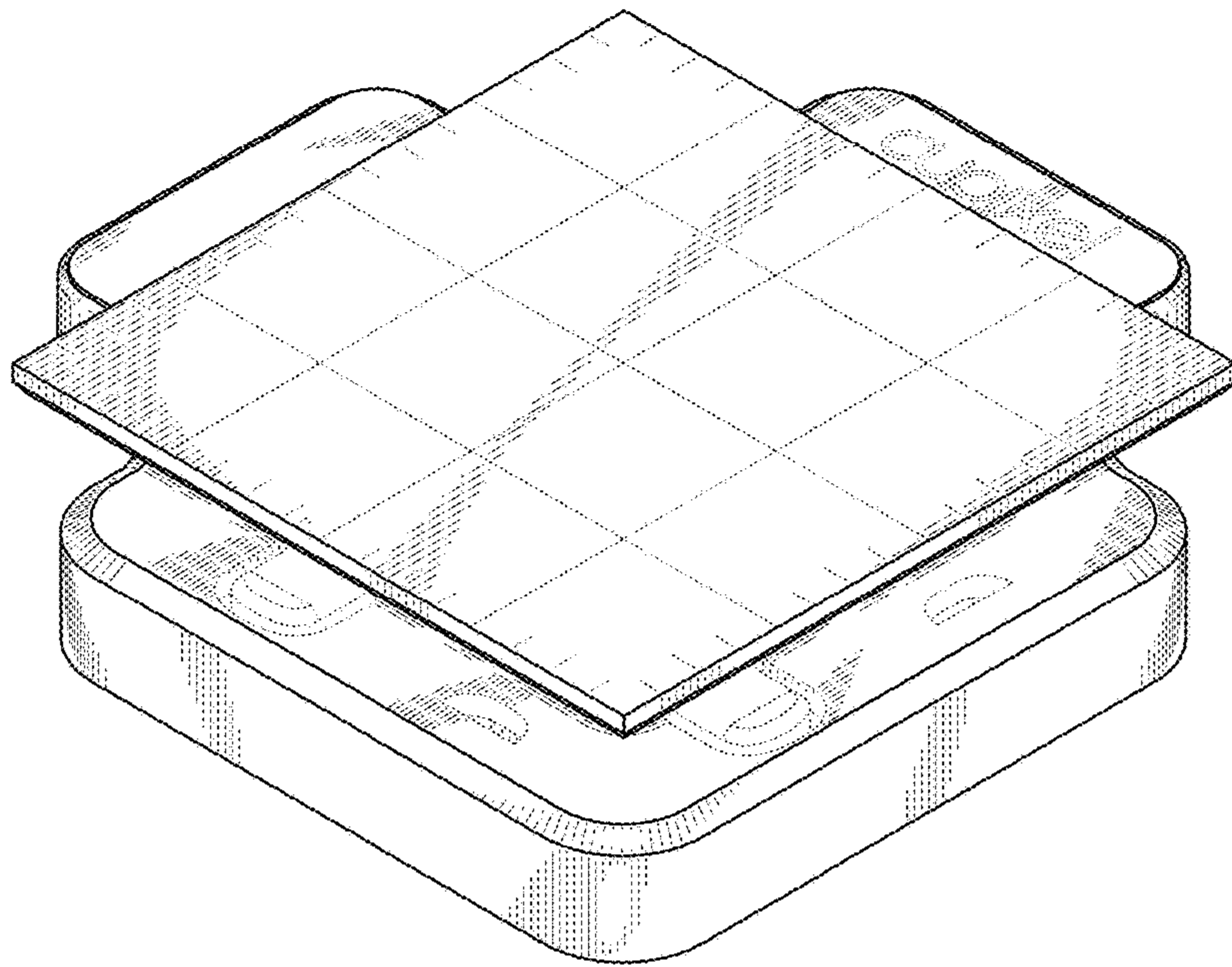


FIG. 1

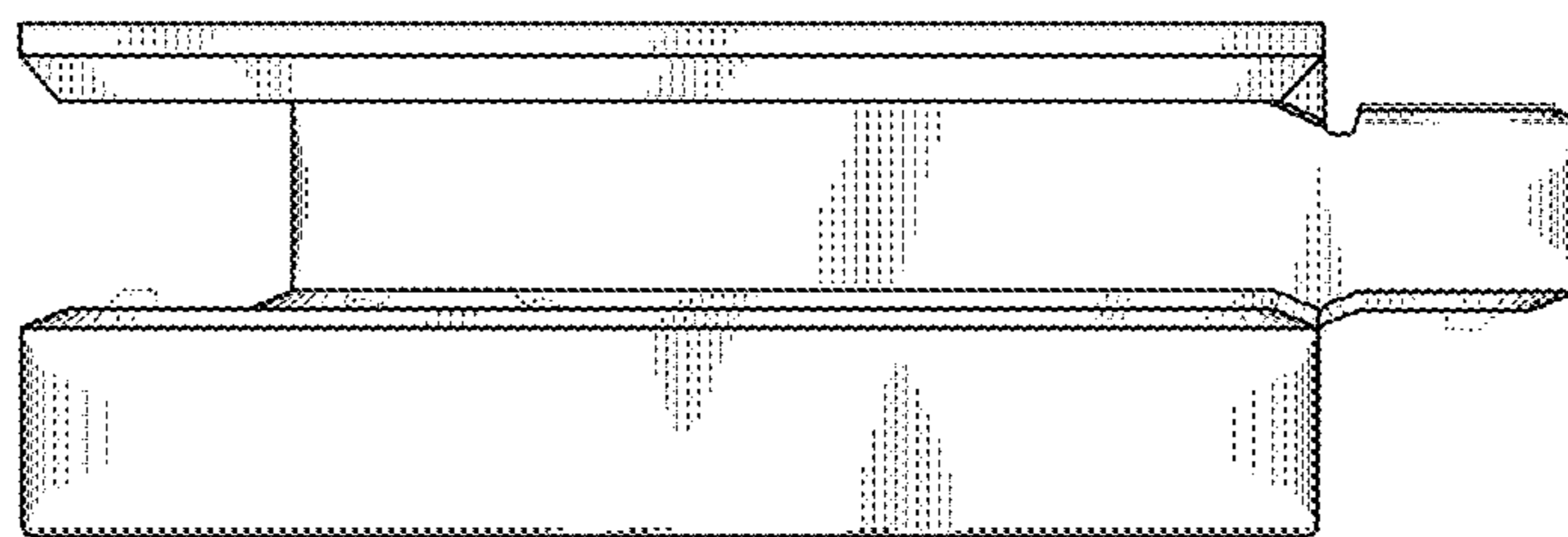


FIG. 2

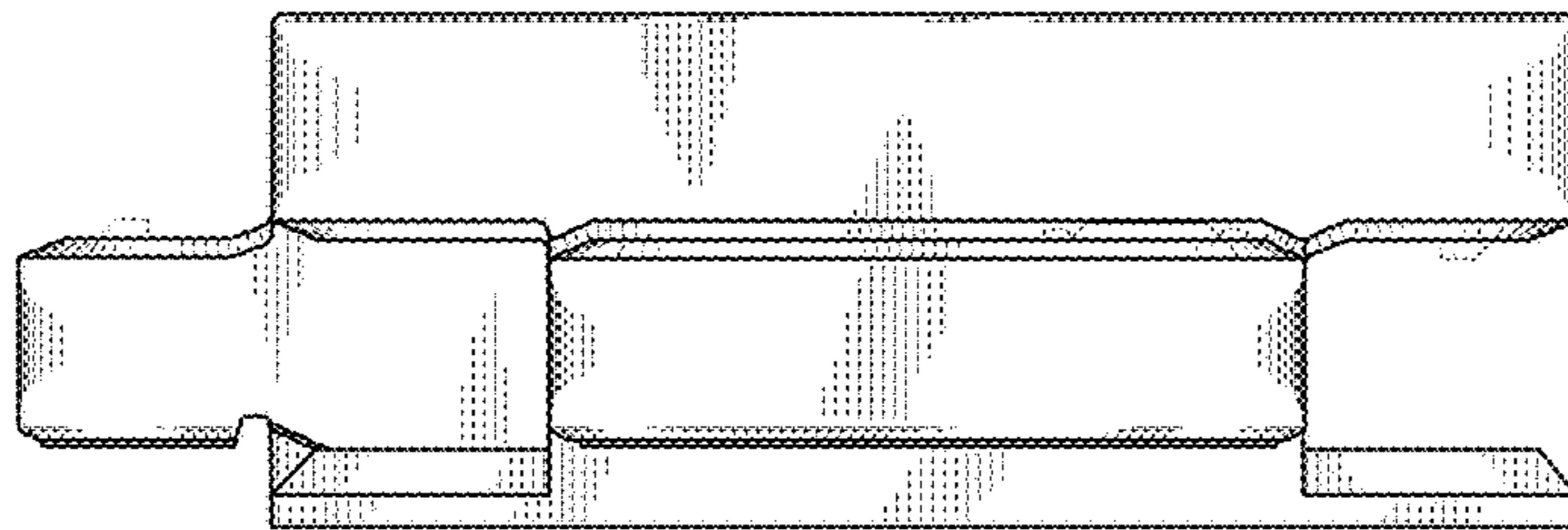


FIG. 3

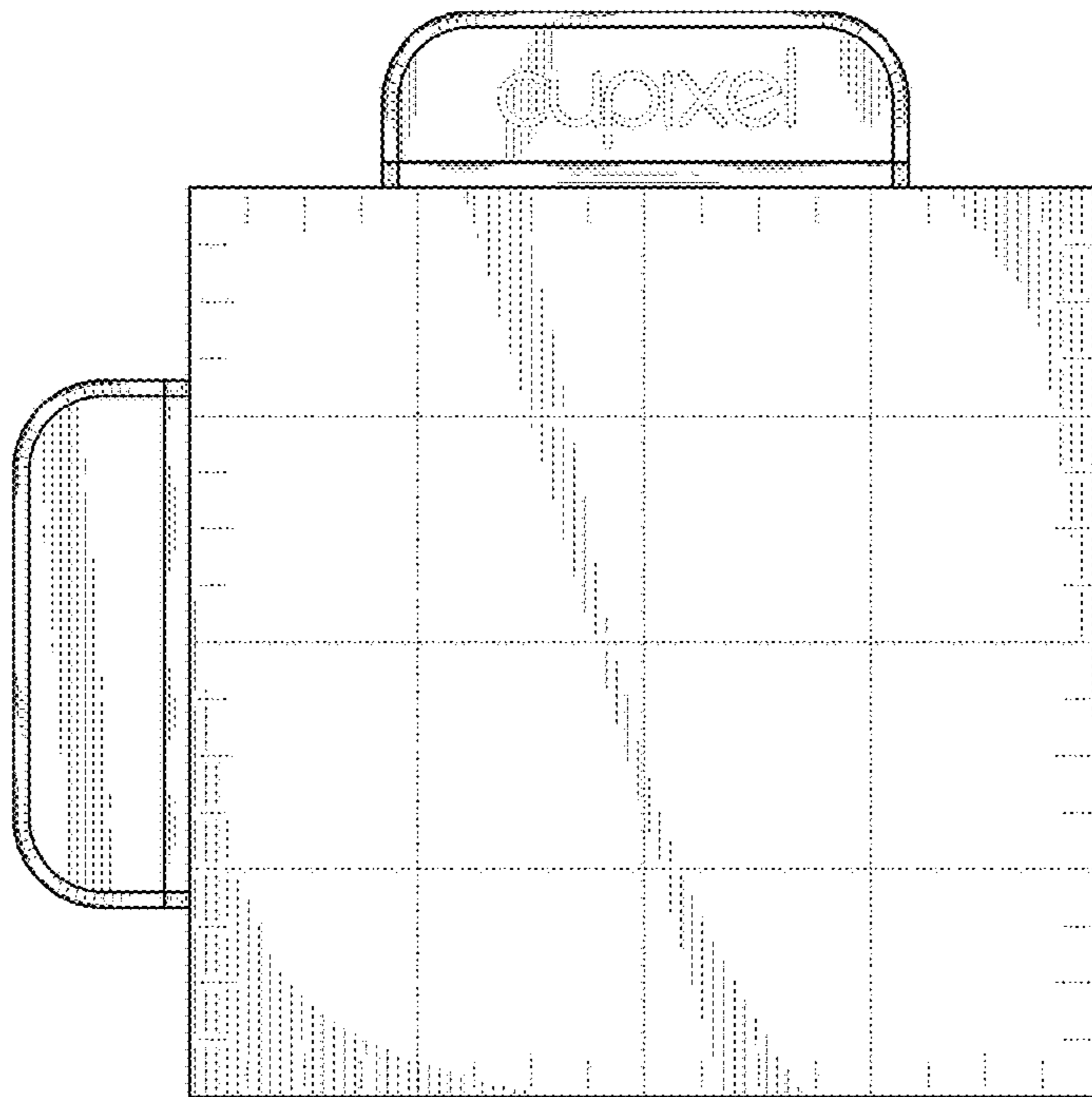


FIG. 4

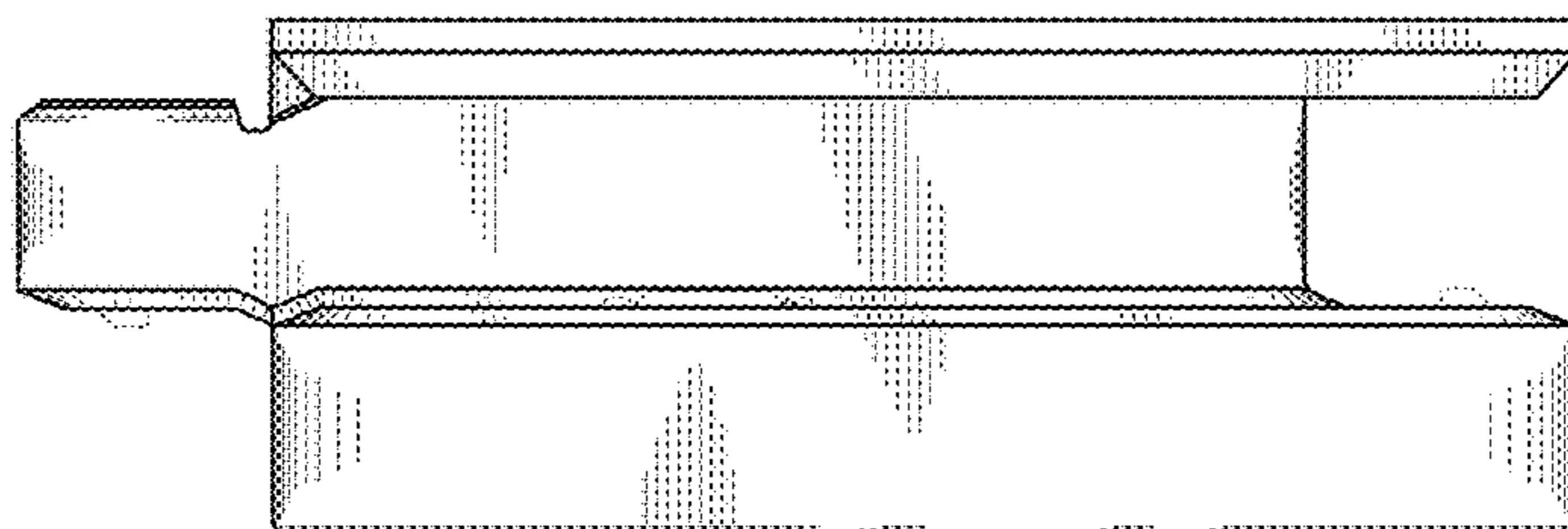


FIG. 5

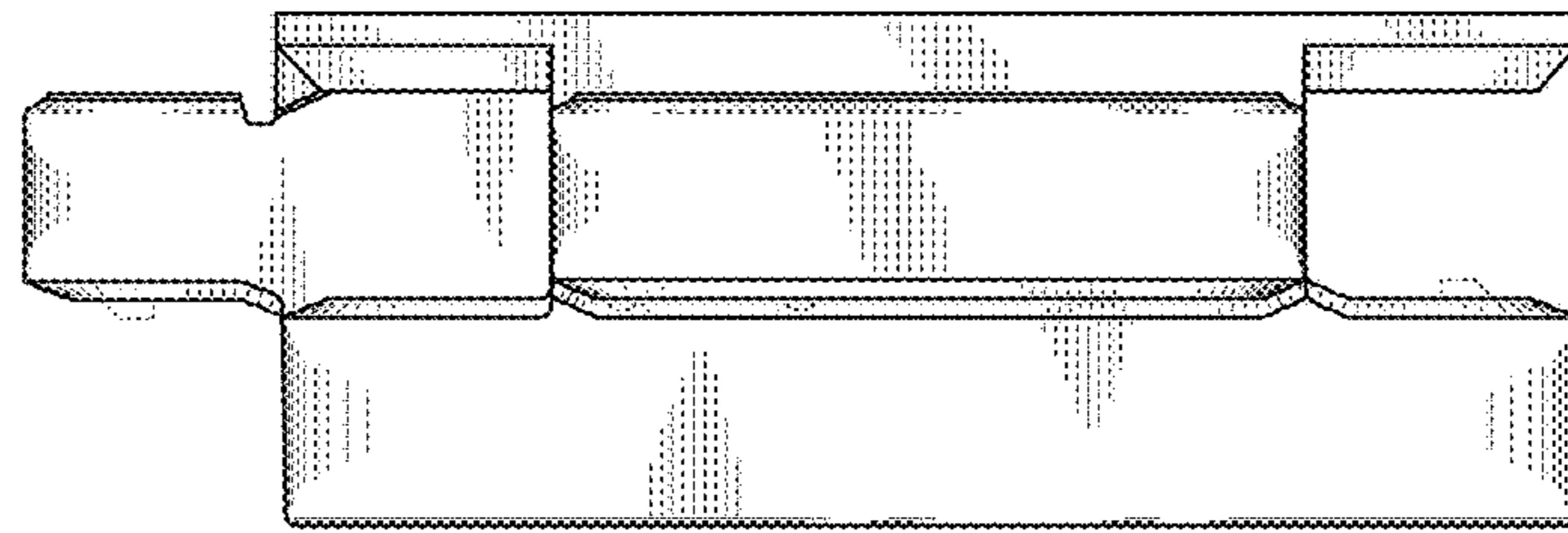


FIG. 7

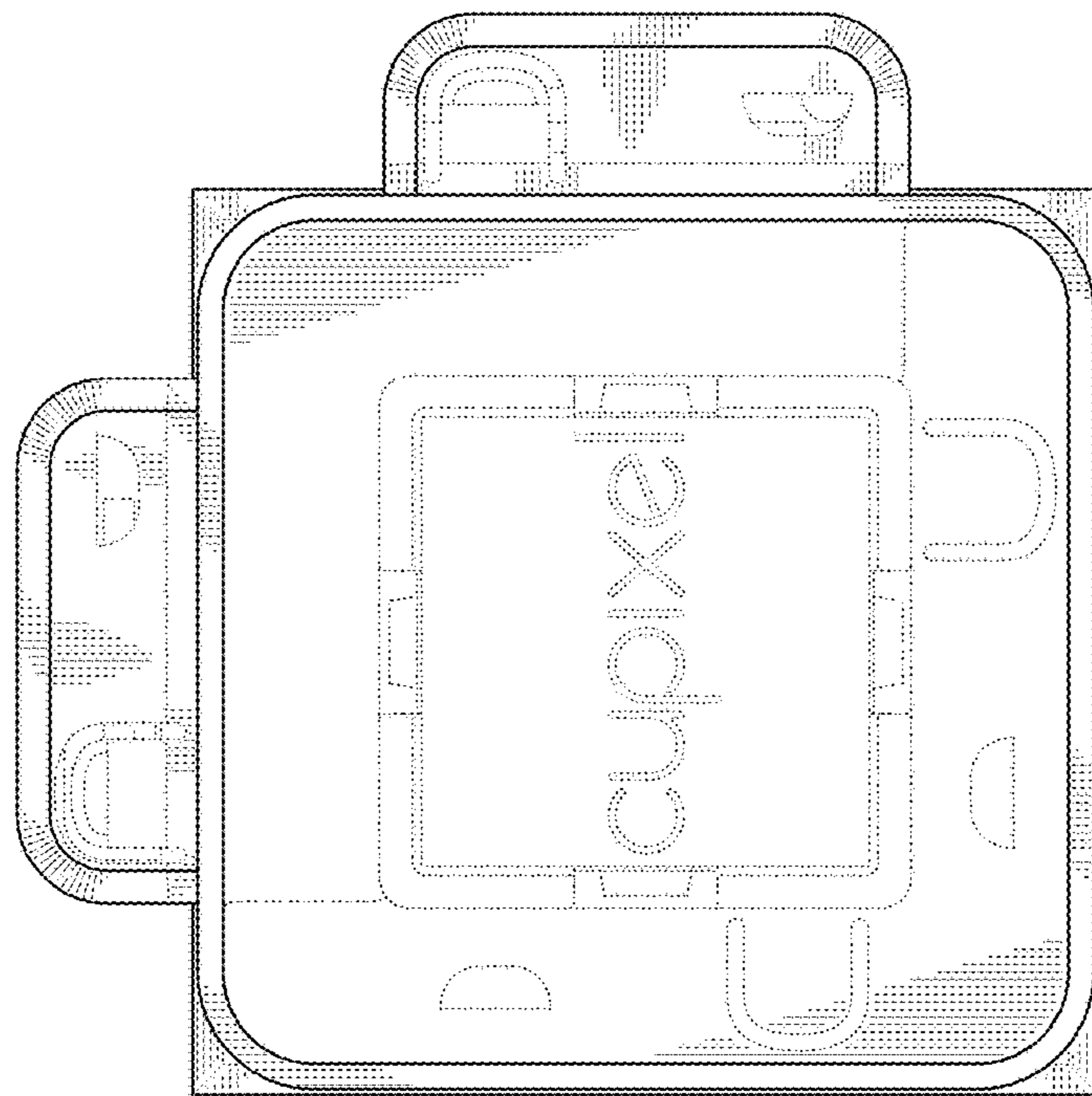


FIG. 6