



US00D838775S

(12) **United States Design Patent**
Hill

(10) **Patent No.:** **US D838,775 S**

(45) **Date of Patent:** **** Jan. 22, 2019**

(54) **ORGANIZER**

(71) Applicant: **Christine Hill**, Rockport, ME (US)

(72) Inventor: **Christine Hill**, Rockport, ME (US)

(**) Term: **15 Years**

(21) Appl. No.: **29/600,646**

(22) Filed: **Apr. 13, 2017**

(51) **LOC (11) Cl.** **19-02**

(52) **U.S. Cl.**
USPC **D19/86**

(58) **Field of Classification Search**
USPC D19/75, 76, 77, 78, 84, 85, 86, 89, 90,
D19/91, 92; D3/206, 227, 299, 315;
D6/634, 675.1; D9/734
CPC .. B43M 99/00; B43M 99/001; B43M 99/003;
B43M 99/006; B43M 99/008; B42D
5/005; B42D 5/008; A45C 2007/0004
See application file for complete search history.

(56) **References Cited**

U.S. PATENT DOCUMENTS

258,844	A *	5/1882	Young	B65D 5/0245
					206/424
1,429,608	A *	9/1922	May	A45C 7/0095
					206/292
1,838,869	A *	12/1931	Rieb	A45C 3/02
					190/115
2,005,967	A *	6/1935	Berdan	B65D 75/38
					206/454
2,175,387	A *	10/1939	Goding	A47G 25/54
					206/280
D122,523	S *	9/1940	Schwartzman	D9/713
2,269,915	A *	1/1942	Porter	B65D 65/08
					229/125.38
D135,892	S *	6/1943	Rounder	D19/91
2,642,876	A *	6/1953	Heilly	B42F 17/02
					206/449
3,570,570	A *	3/1971	Winner	A45C 13/03
					190/100

D238,718	S *	2/1976	Bauer	D3/299
D278,098	S *	3/1985	Velkas	D3/319
D289,228	S *	4/1987	Chinman	D3/299
4,881,684	A *	11/1989	Chinman	A45C 3/00
					190/115
D321,306	S *	11/1991	Behar	D7/607
D323,584	S *	2/1992	McIntyre	D19/86
5,102,035	A	4/1992	Cecchi		

(Continued)

Primary Examiner — Elizabeth A. Albert

(74) *Attorney, Agent, or Firm* — Lisa Foundation Patent Law Clinic

(57) **CLAIM**

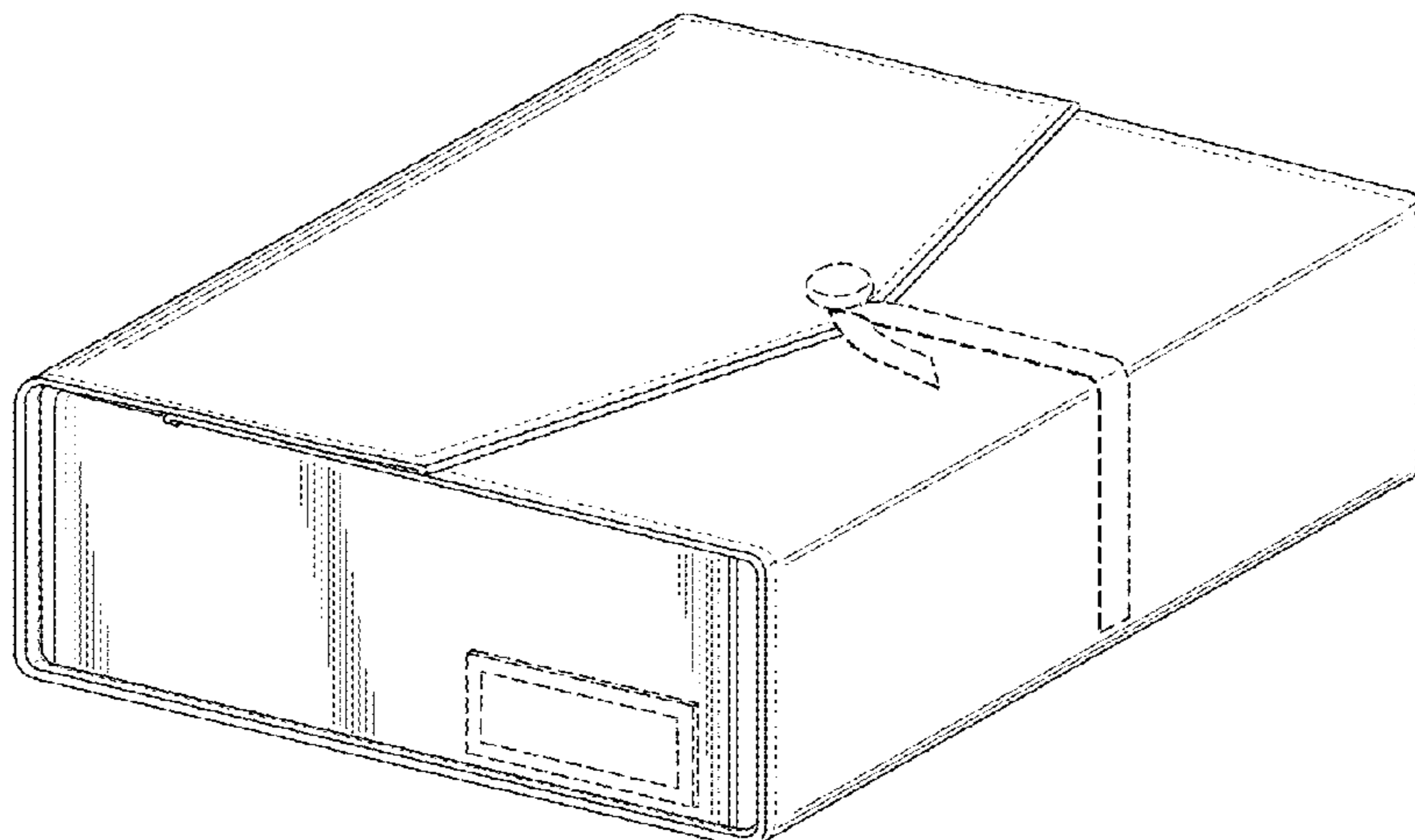
The ornamental design for an organizer, as shown and described.

DESCRIPTION

FIG. 1 is a perspective view of an unfolded organizer showing my new design.
 FIG. 2 is a top plan view thereof.
 FIG. 3 is a bottom plan view thereof.
 FIG. 4 is a rear elevational view thereof.
 FIG. 5 is a front elevational view thereof.
 FIG. 6 is a left side elevational view thereof.
 FIG. 7 is a right side elevational view thereof.
 FIG. 8 is a perspective view thereof folded.
 FIG. 9 is a rear elevational view thereof.
 FIG. 10 is a front elevational view thereof.
 FIG. 11 is a top plan view thereof.
 FIG. 12 is a bottom plan view thereof.
 FIG. 13 is a left side view thereof; and,
 FIG. 14 is a right side view thereof.

The longer broken lines shown in the drawings represent portions of the organizer that form no part of the claimed design. The dotted broken lines shown in the drawings represent lines on the edge that form no part of the claimed design.

1 Claim, 7 Drawing Sheets



(56)

References Cited

U.S. PATENT DOCUMENTS

5,388,689	A *	2/1995	Kroop	A45C 11/34 206/1.7
D356,334	S *	3/1995	Kroop	D19/78
D381,692	S *	7/1997	Lovell	D19/75
D386,686	S *	11/1997	Alico	D19/88
D423,572	S *	4/2000	Tedaldi	D19/26
6,457,635	B1 *	10/2002	Sciicluna	A45C 13/03 206/278
D471,014	S *	3/2003	Shapiro	D3/290
D508,772	S *	8/2005	Gilson	D3/271.1
D554,704	S *	11/2007	Krepak	D19/86
D660,592	S *	5/2012	Mecchella	D3/299
8,474,640	B2	7/2013	Armstrong	
D696,556	S *	12/2013	Pattison	D7/601
8,936,155	B2	1/2015	Ravary	
9,254,024	B2 *	2/2016	DeWitt	A45C 13/02
9,565,914	B1 *	2/2017	Marraccini	A45C 13/02
2007/0065049	A1	3/2007	Alldredge-Howard	
2010/0089778	A1 *	4/2010	Park	A45C 7/0095 206/320

* cited by examiner

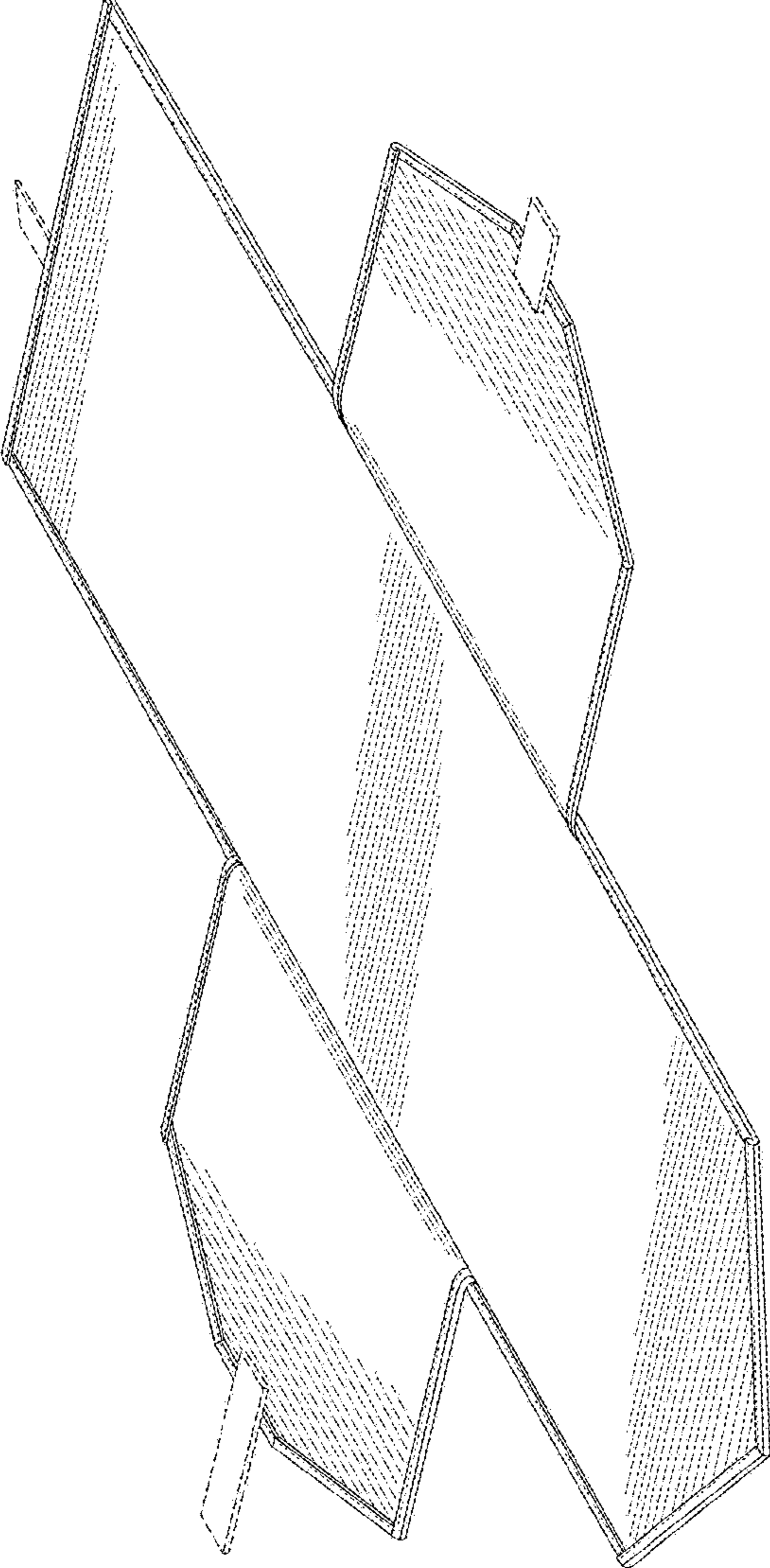


FIG. 1

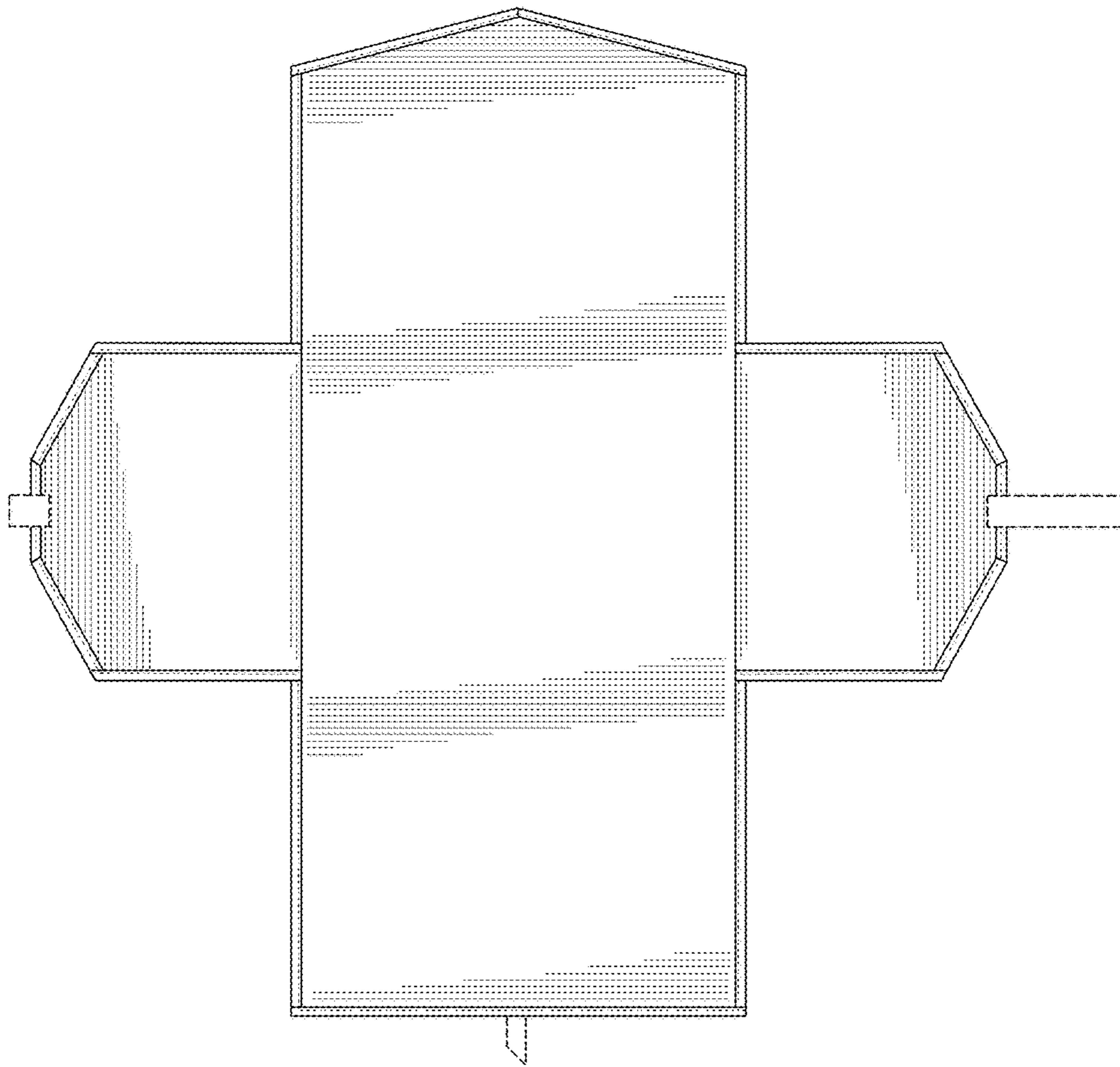


FIG. 2

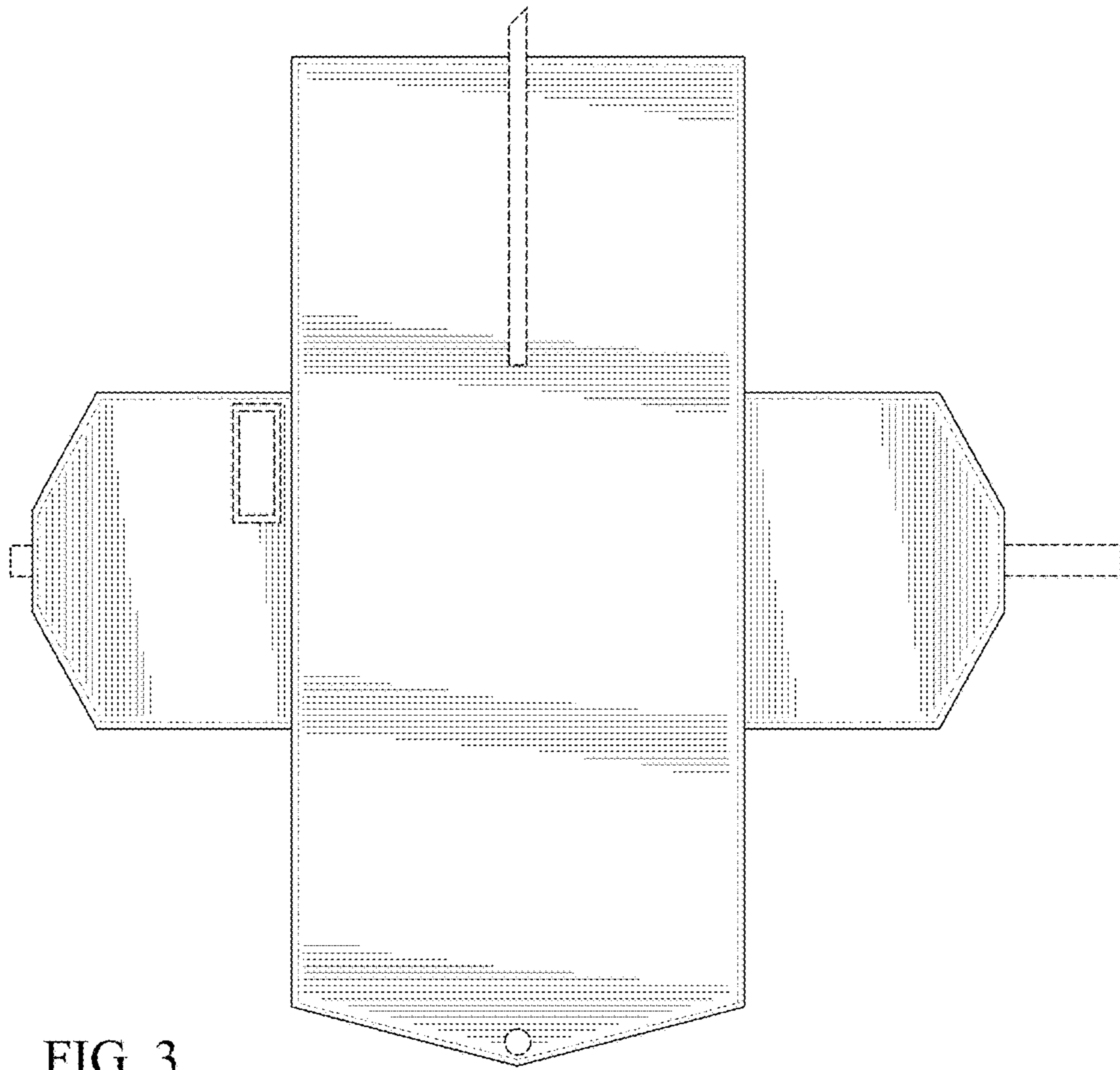


FIG. 3

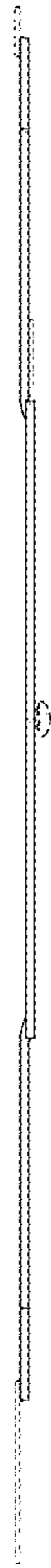


FIG. 4

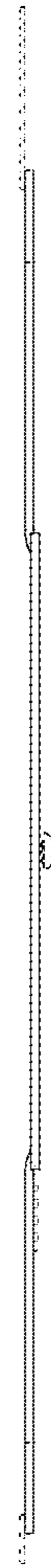


FIG. 5

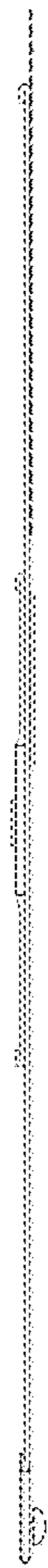


FIG. 6



FIG. 7

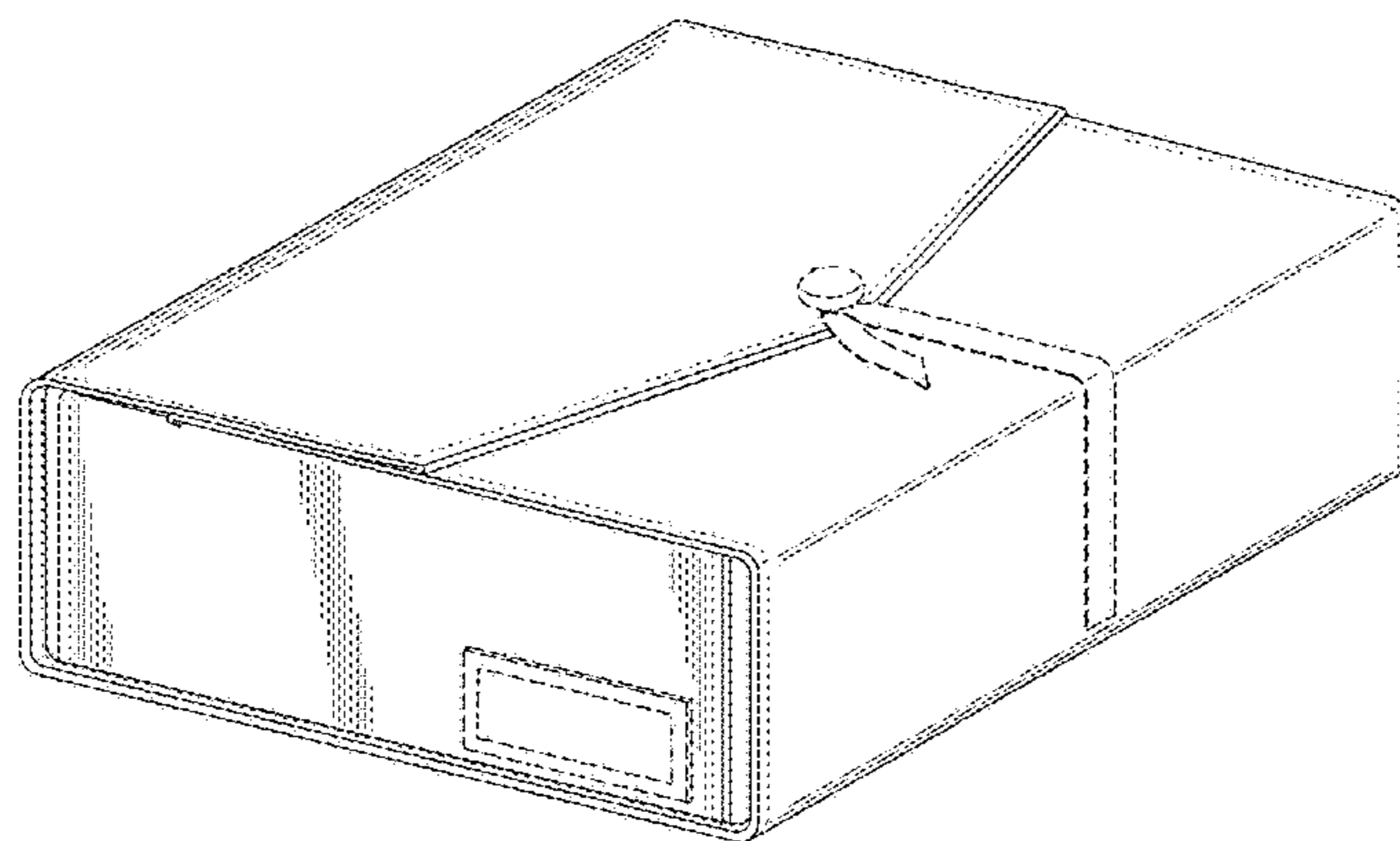


FIG. 8

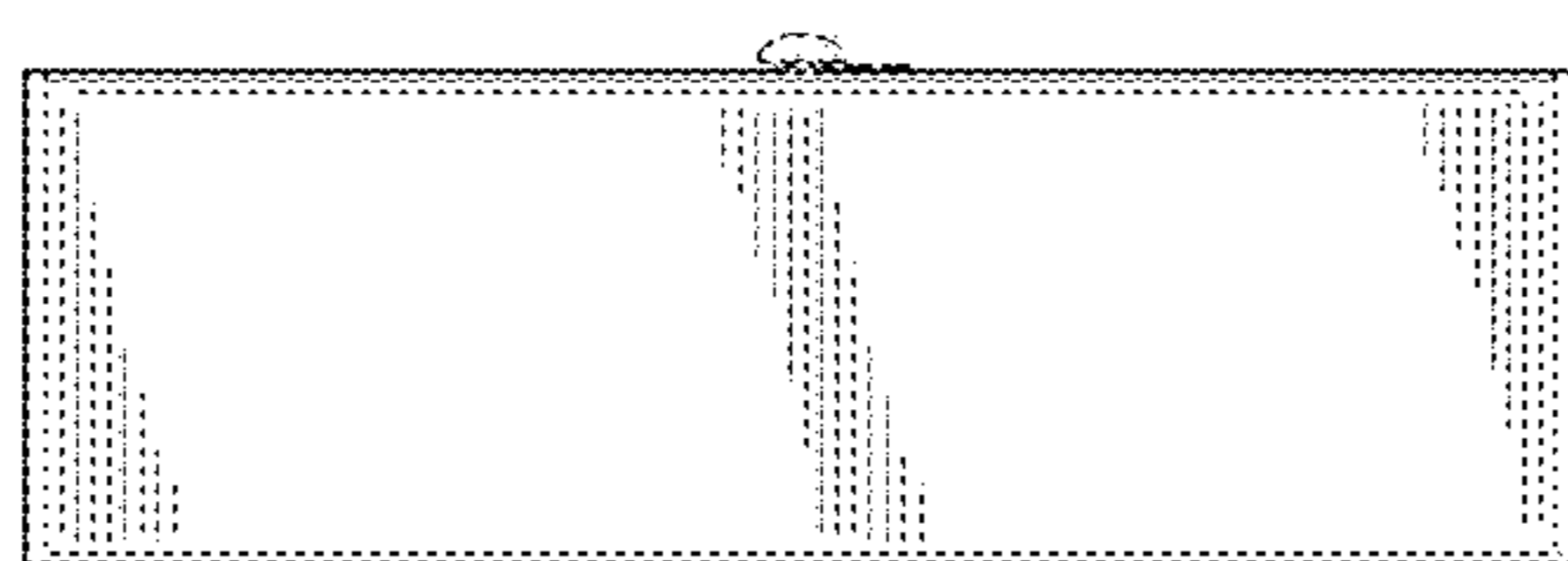


FIG. 9

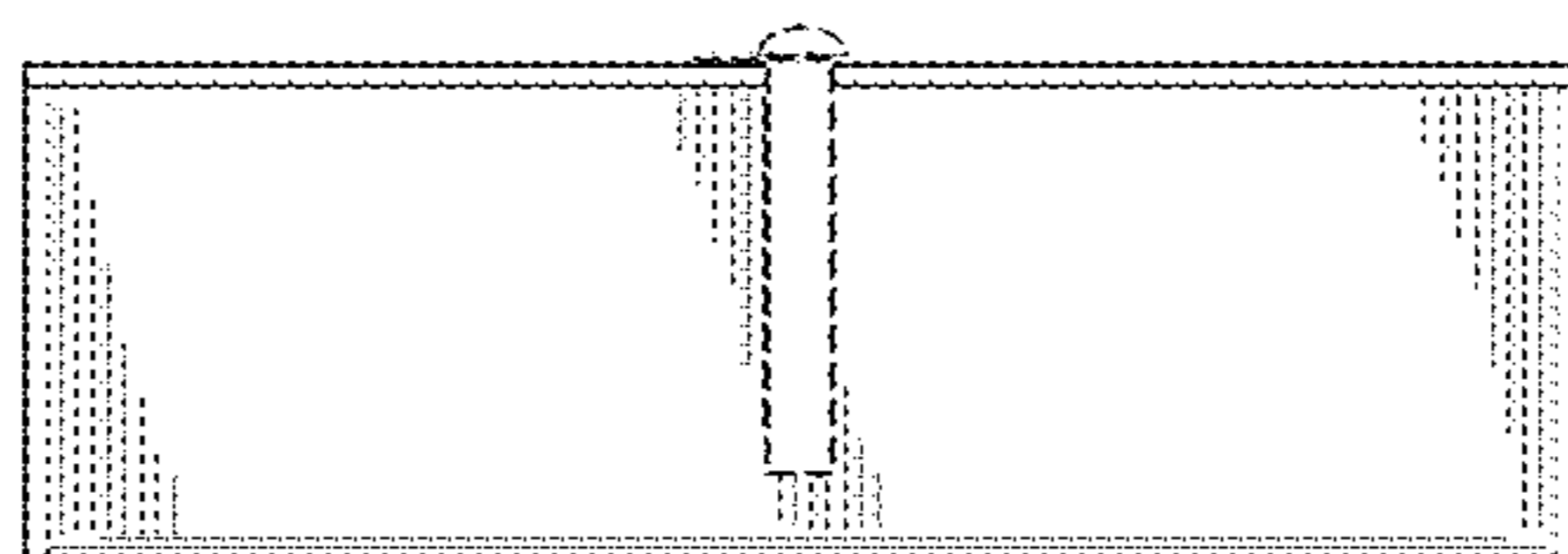


FIG. 10

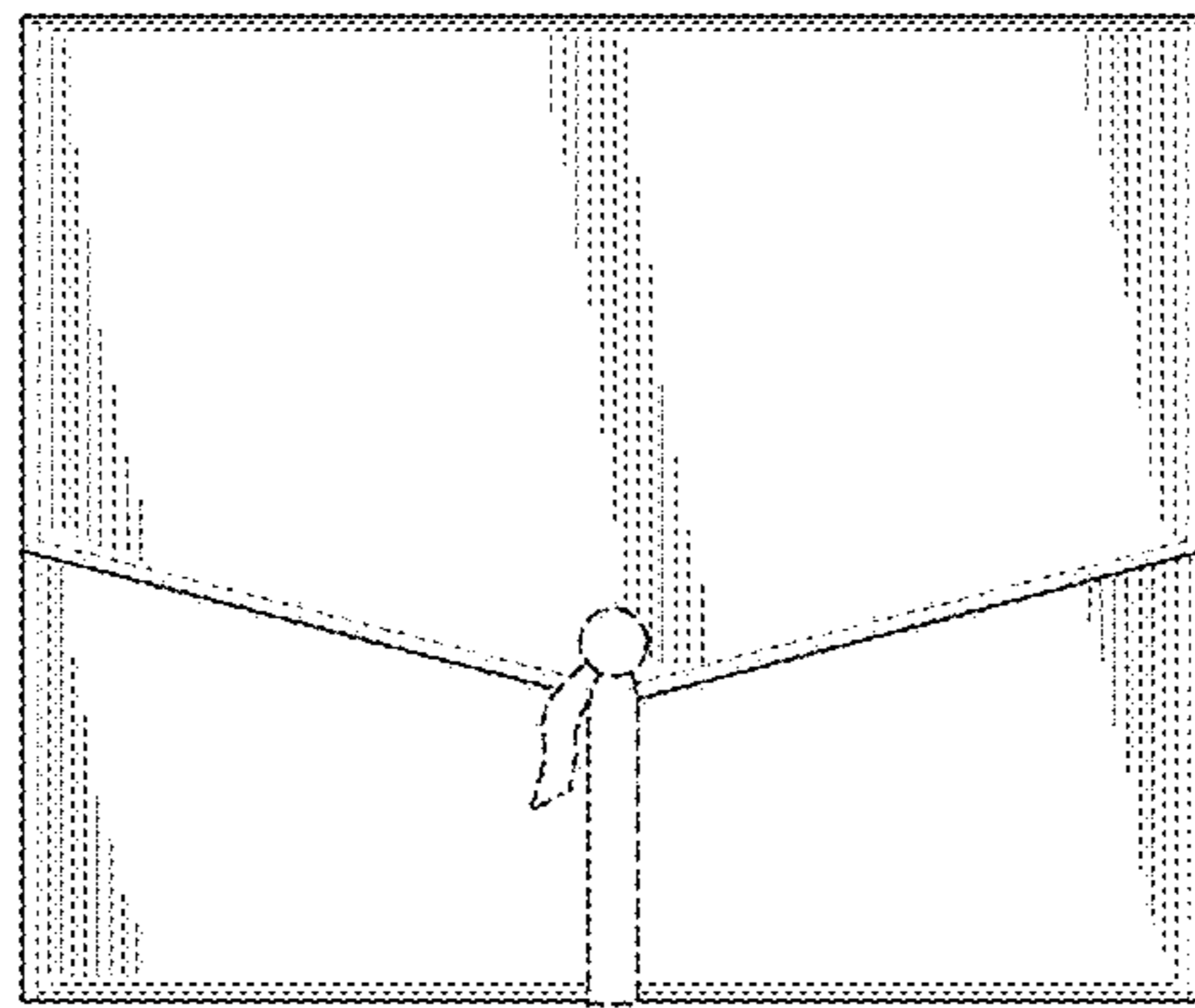


FIG. 11

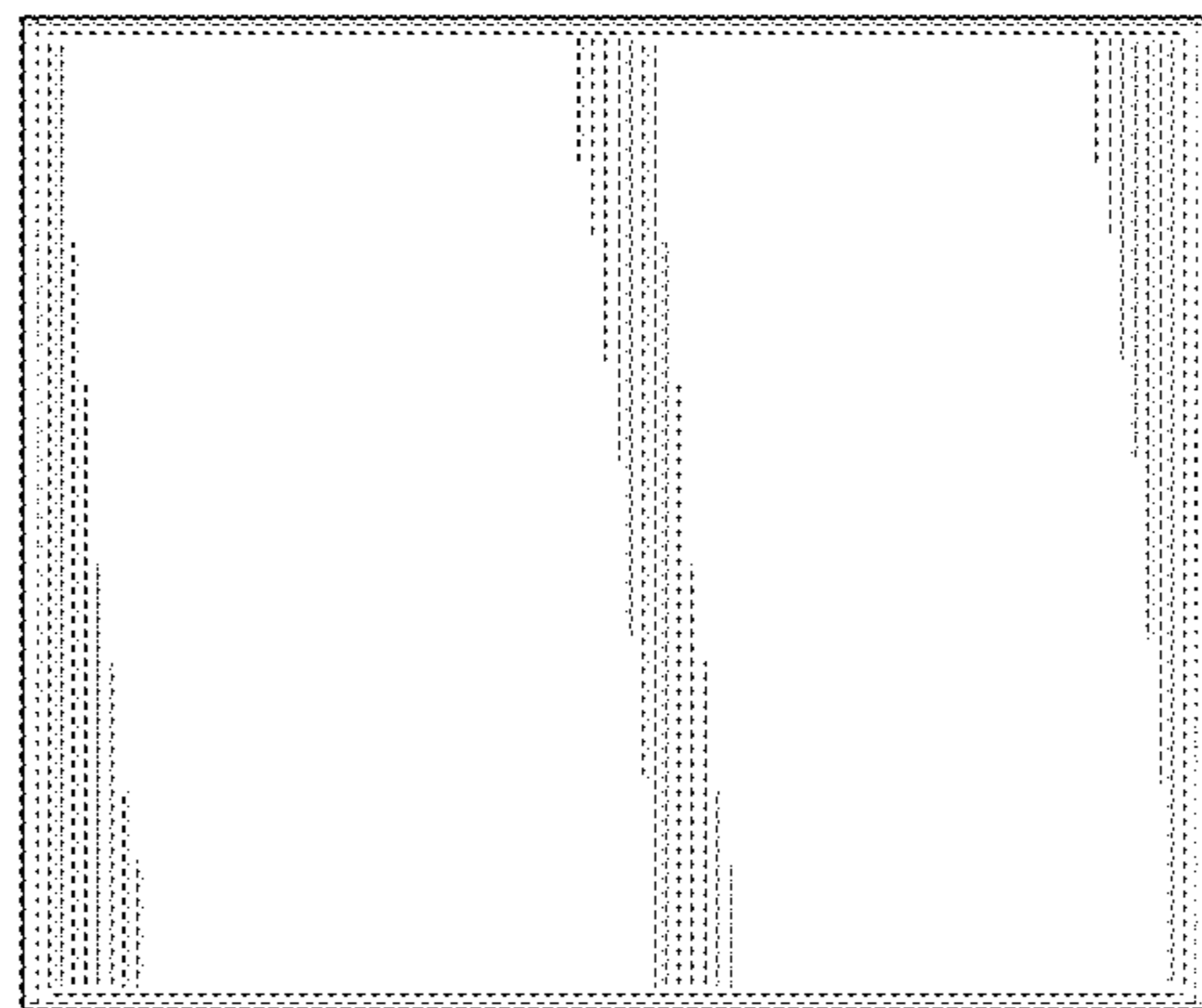


FIG. 12

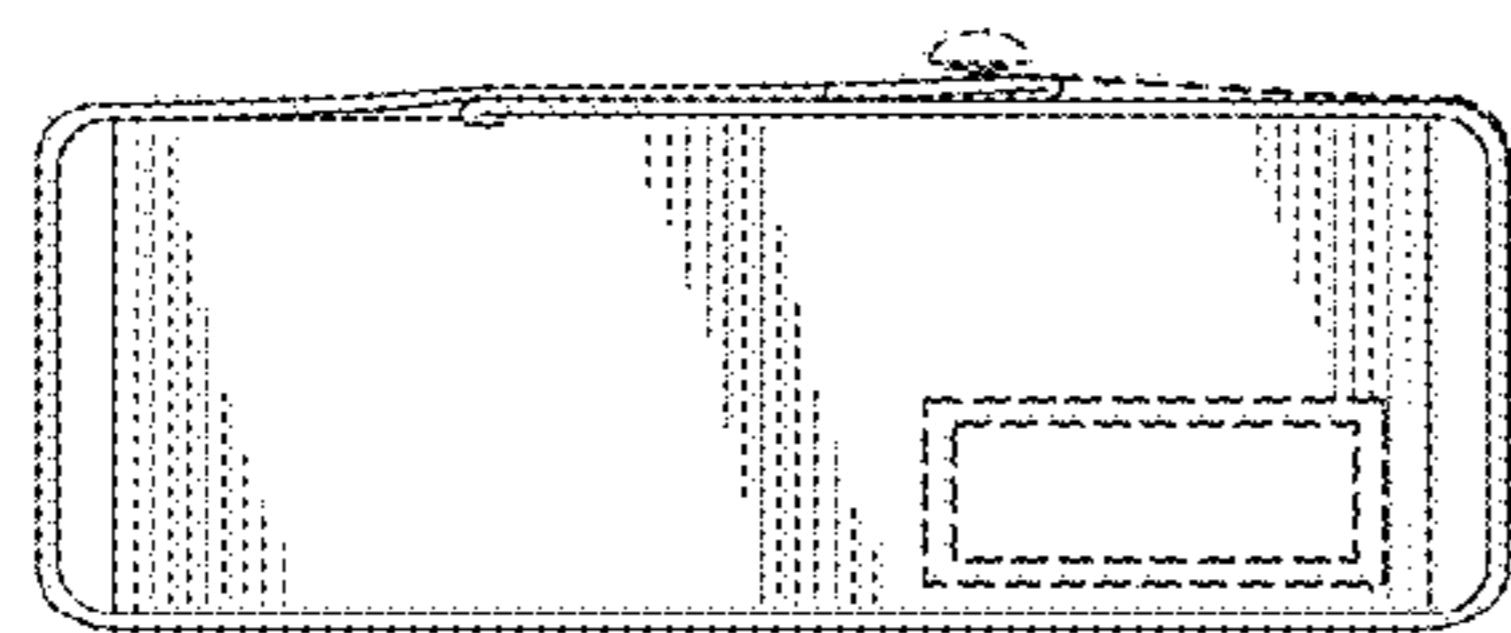


FIG. 13

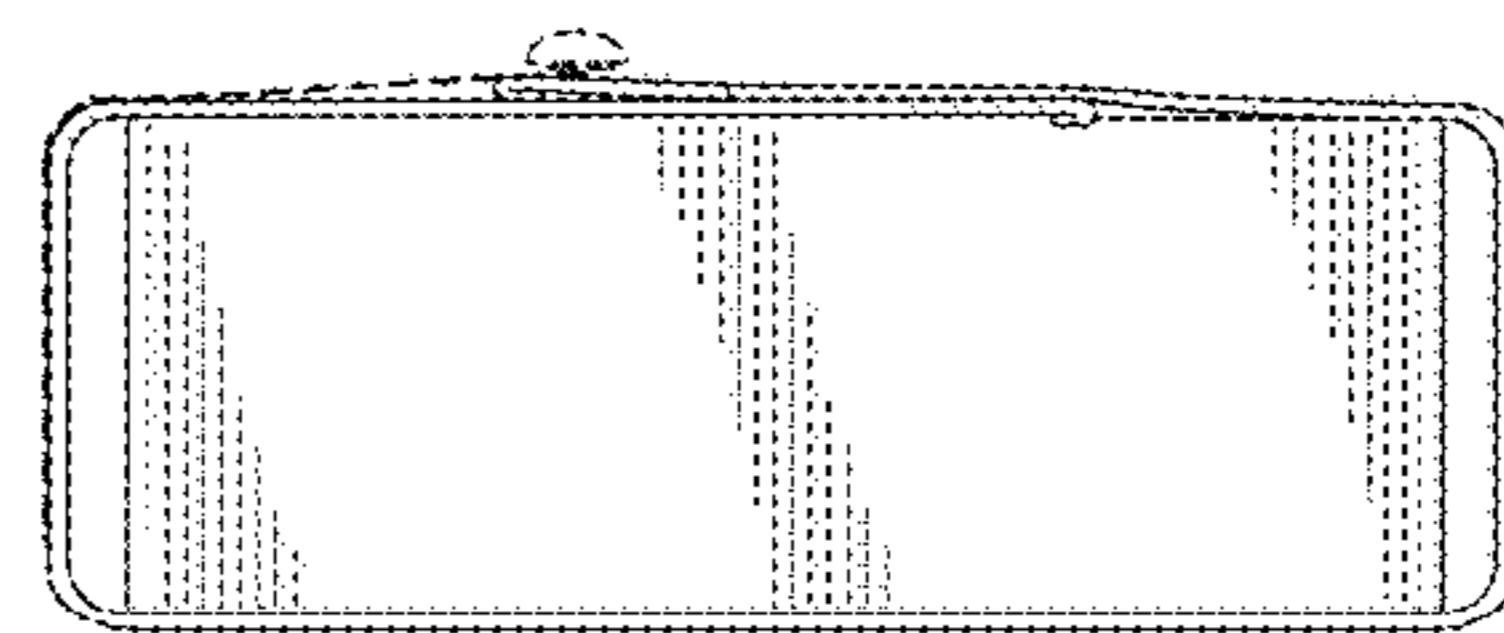


FIG. 14