



US00D838772S

(12) **United States Design Patent**
Kim

(10) **Patent No.:** **US D838,772 S**
(45) **Date of Patent:** **** Jan. 22, 2019**

(54) **PRINTER**

(71) Applicant: **S-Printing Solution Co., Ltd.**,
Suwon-si (KR)

(72) Inventor: **Ha-Kyung Kim**, Seoul (KR)

(73) Assignee: **HP PRINTING KOREA CO., LTD.**,
Suwon-si (KR)

(**) Term: **15 Years**

(21) Appl. No.: **29/604,878**

(22) Filed: **May 22, 2017**

(30) **Foreign Application Priority Data**

Feb. 17, 2017 (KR) 30-2017-0007507

(51) **LOC (11) Cl.** **14-02**

(52) **U.S. Cl.**
USPC **D18/50; D18/49**

(58) **Field of Classification Search**
USPC D18/47-50, 55; 347/3
CPC B41J 11/04; B41J 11/0045; B41J 11/4075;
B41J 11/58; B41J 3/00; B41J 15/00;
B41J 15/12; B41J 15/042; G06K 15/12;
G06K 15/14
See application file for complete search history.

(56) **References Cited**

U.S. PATENT DOCUMENTS

D286,409 S * 10/1986 Kosako D18/48
D310,843 S * 9/1990 Kosako D18/48
D329,454 S * 9/1992 Sugihara D18/46
D379,635 S * 6/1997 Shibata D18/48
D418,863 S * 1/2000 Matsumoto D18/48

D430,198 S * 8/2000 Nakada D18/48
D435,587 S * 12/2000 Suzuki D18/48
D444,496 S * 7/2001 Hatanaka D18/53
6,331,003 B1 * 12/2001 Yokota B65H 29/60
271/287
D532,451 S * 11/2006 Ito D18/55
D630,245 S * 1/2011 Terenzio D18/48
D667,871 S * 9/2012 Suzuki D18/50
D683,395 S * 5/2013 Inoue D18/50
9,225,868 B2 * 12/2015 Hashimoto G03G 15/6594
D792,923 S * 7/2017 Kim D18/55
9,718,284 B2 * 8/2017 Hirose B65H 39/11
D810,194 S * 2/2018 Kim D18/50

* cited by examiner

Primary Examiner — Robin V Webster

Assistant Examiner — J. Thorn, Sr.

(74) *Attorney, Agent, or Firm* — NSIP Law

(57) **CLAIM**

I claim the ornamental design for a printer, as shown and described.

DESCRIPTION

FIG. 1 is a front perspective view of a printer showing my new design;
FIG. 2 is a front elevational view thereof;
FIG. 3 is a rear elevational view thereof;
FIG. 4 is a left-side elevational view thereof;
FIG. 5 is a right-side elevational view thereof;
FIG. 6 is a top plan view thereof;
FIG. 7 is a bottom plan view thereof; and,
FIG. 8 is a cross-sectional view taken through line 8-8 of FIG. 2.

The broken lines in the figures depict environmental subject matter and form no part of the claimed design.

1 Claim, 8 Drawing Sheets

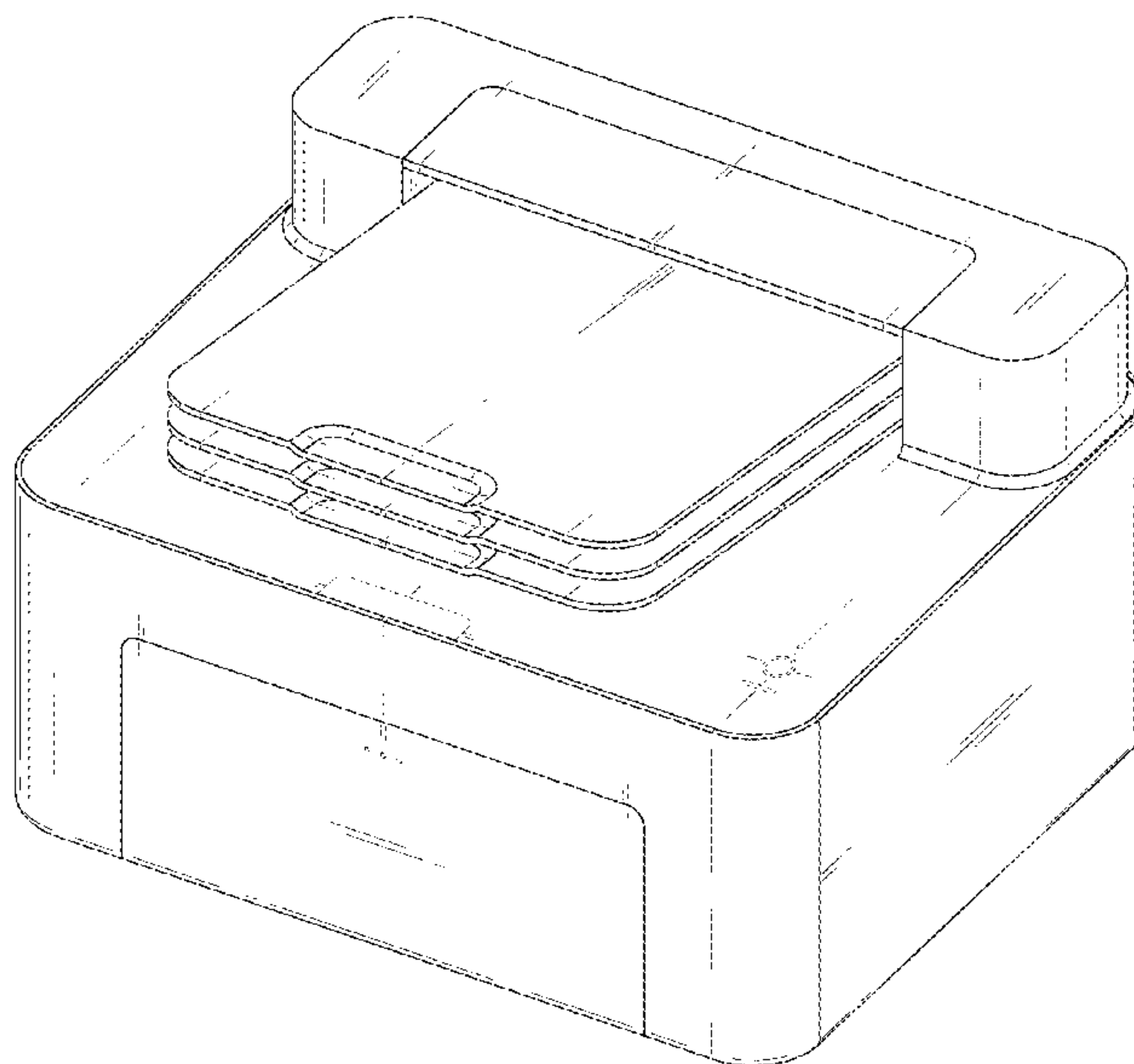


FIG. 1

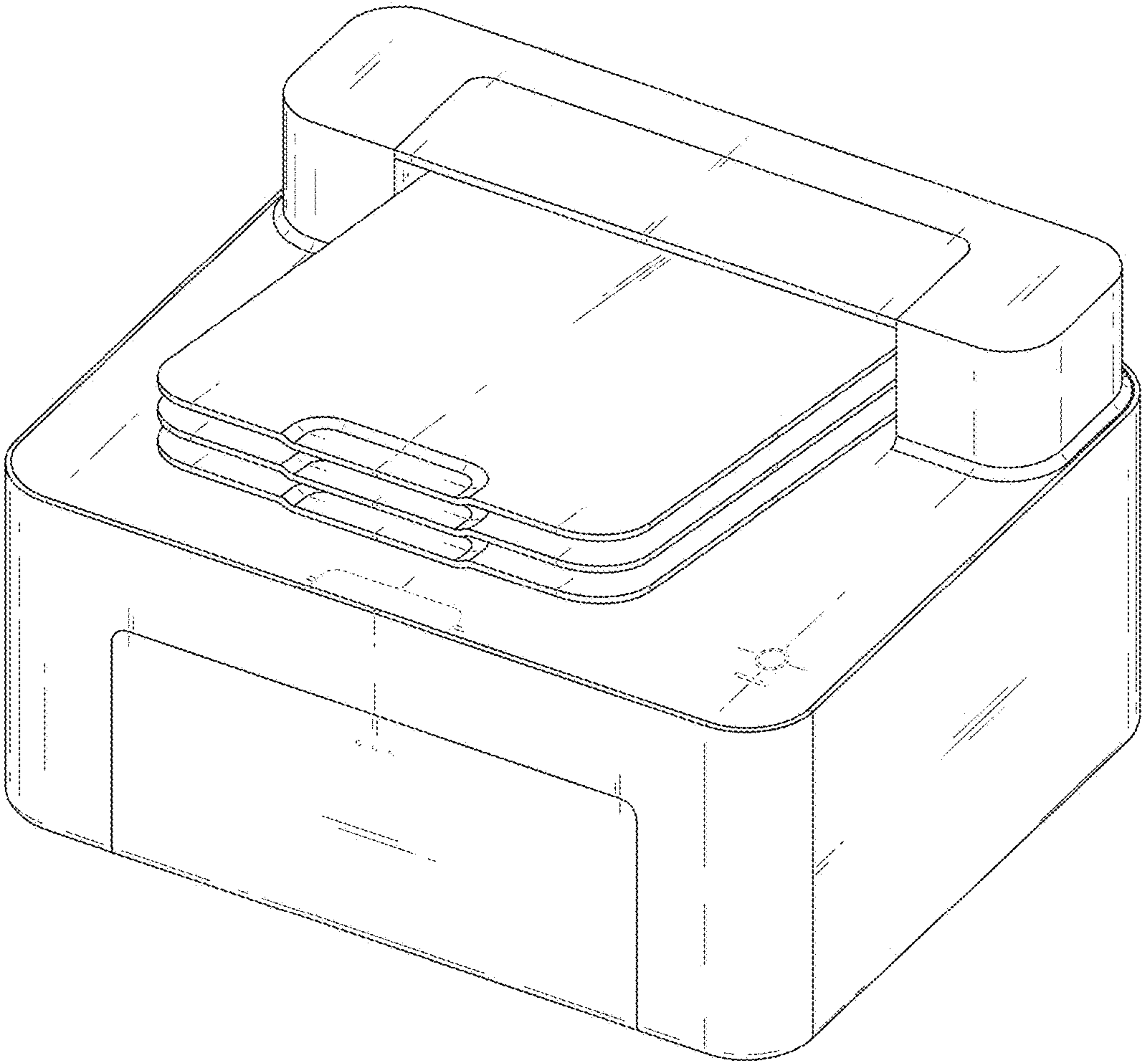


FIG. 2

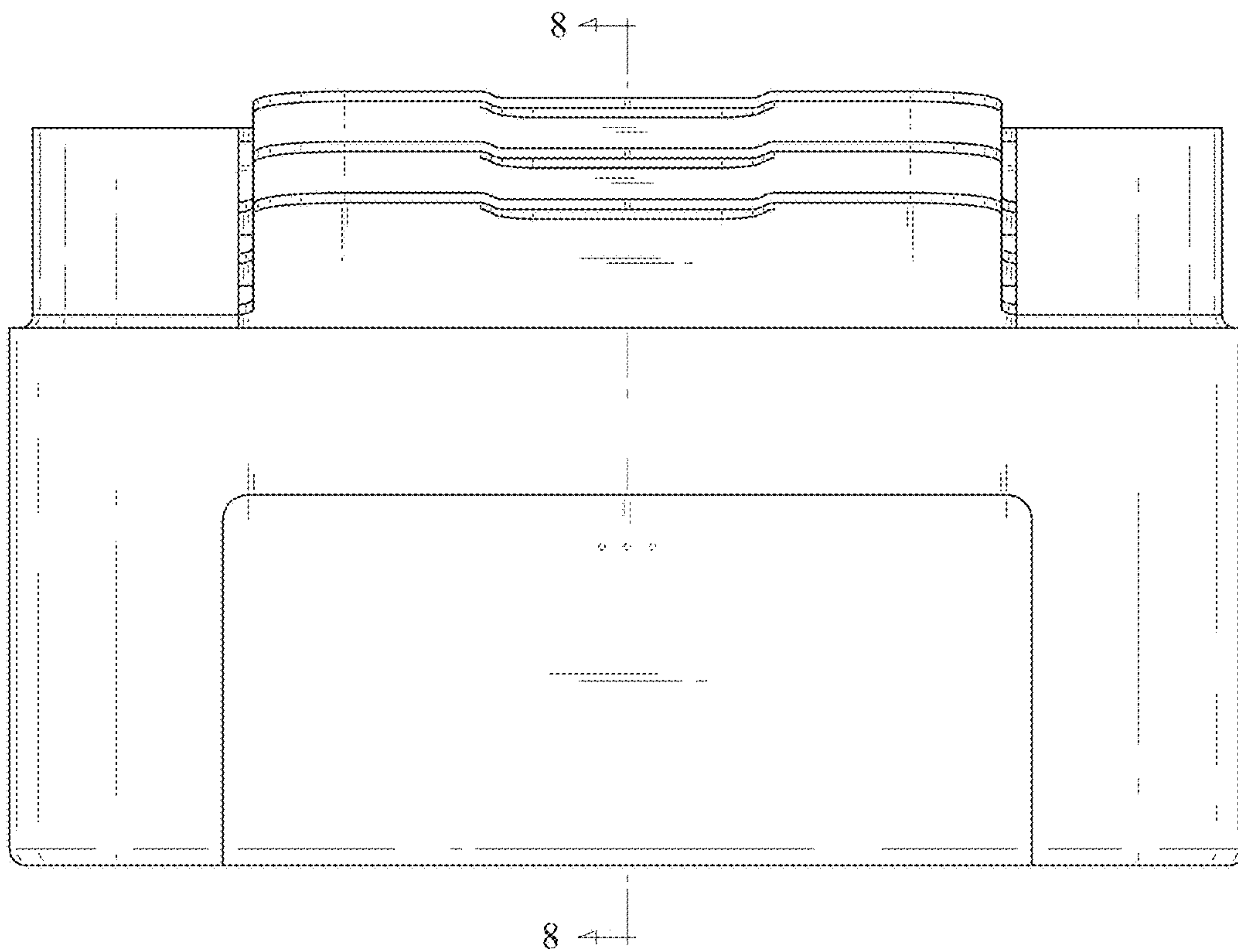


FIG. 3

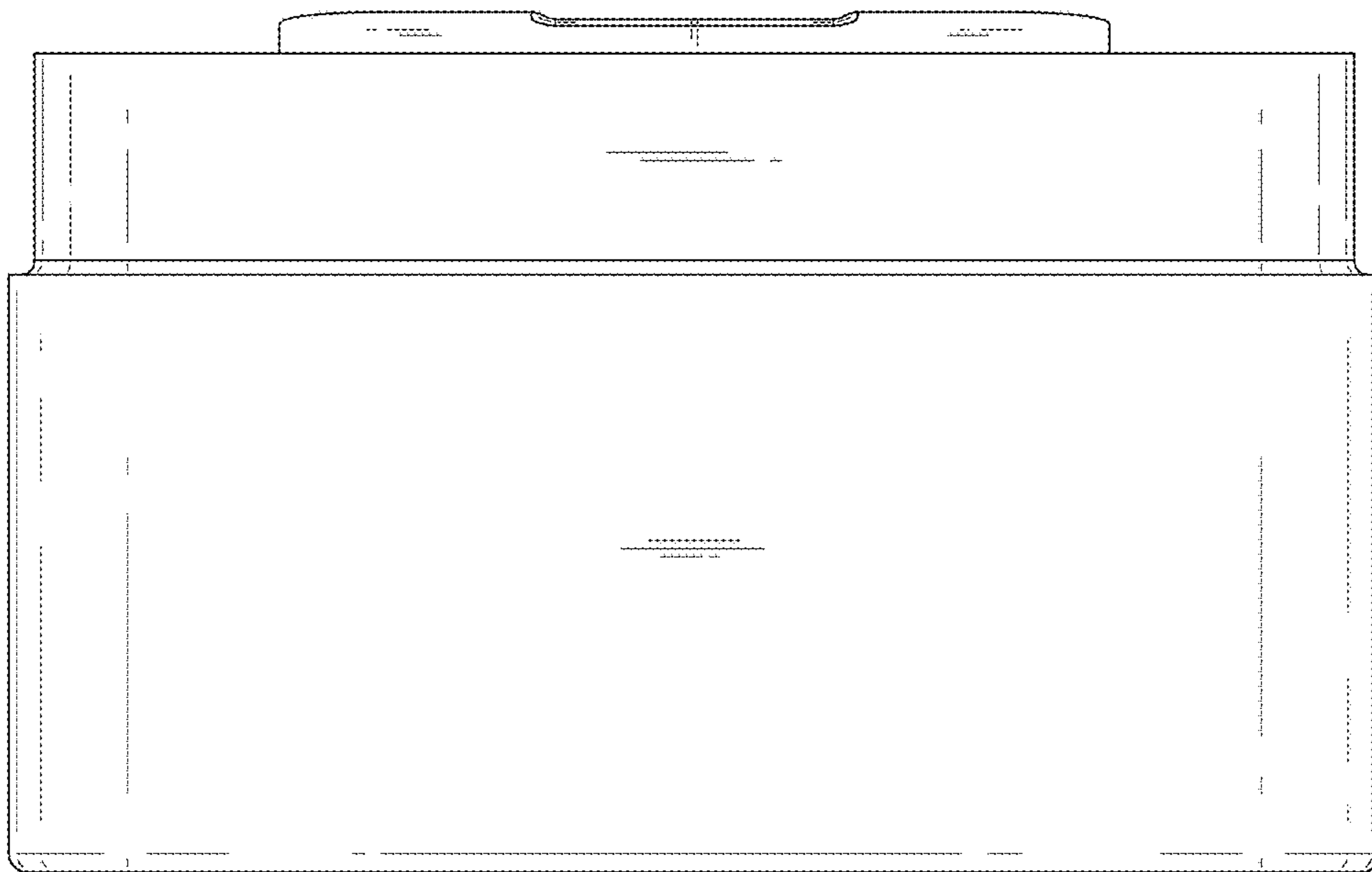


FIG. 4

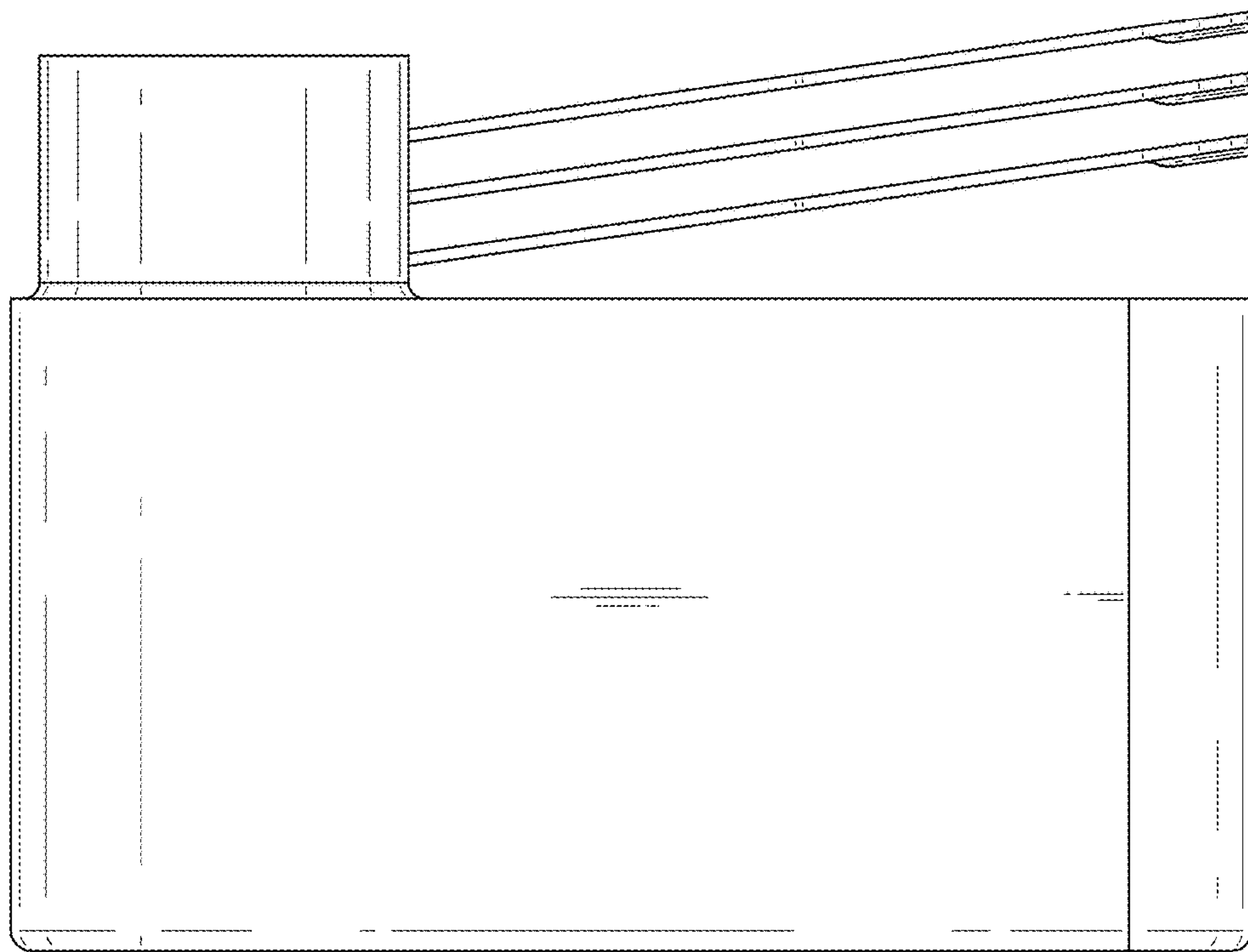


FIG. 5

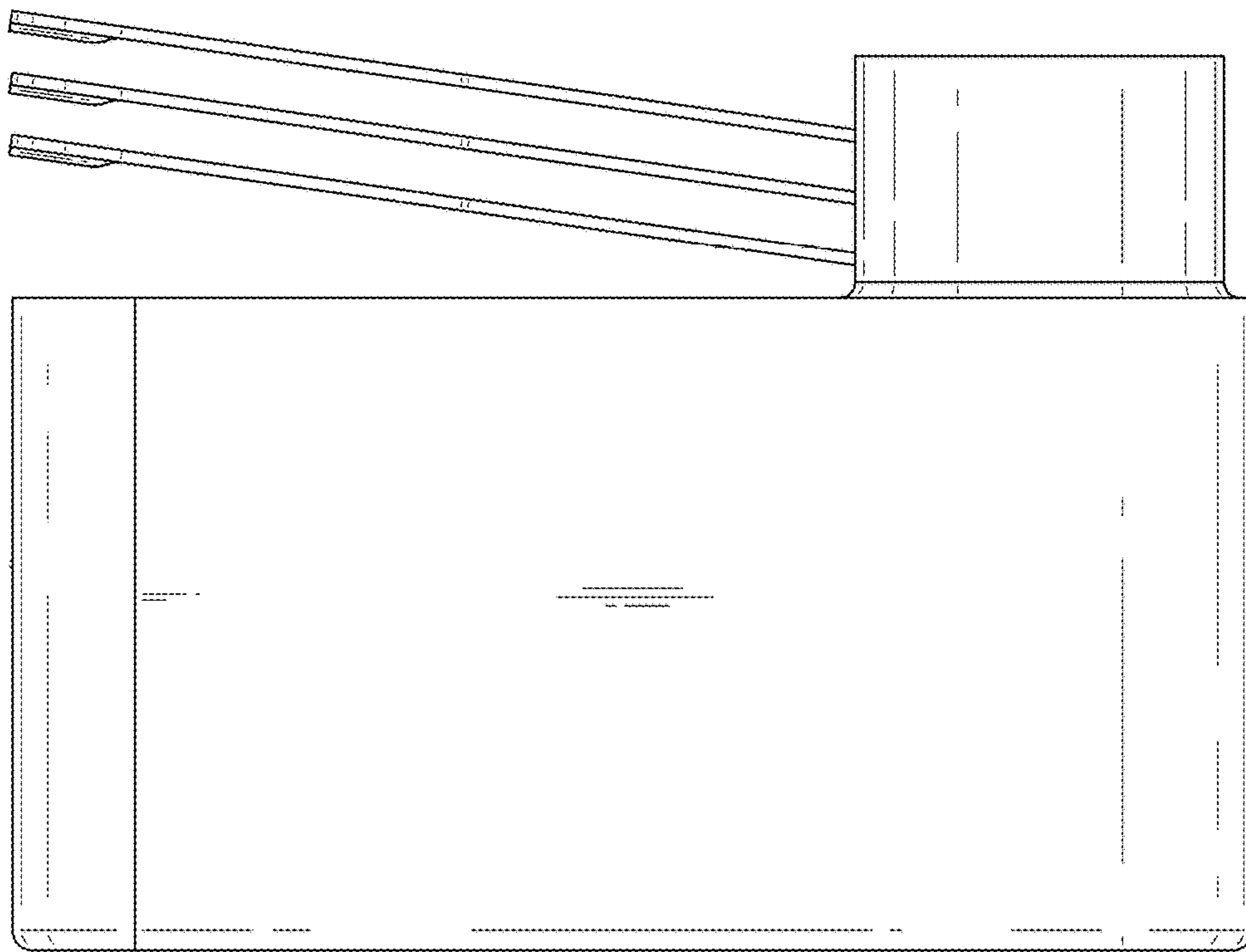


FIG. 6

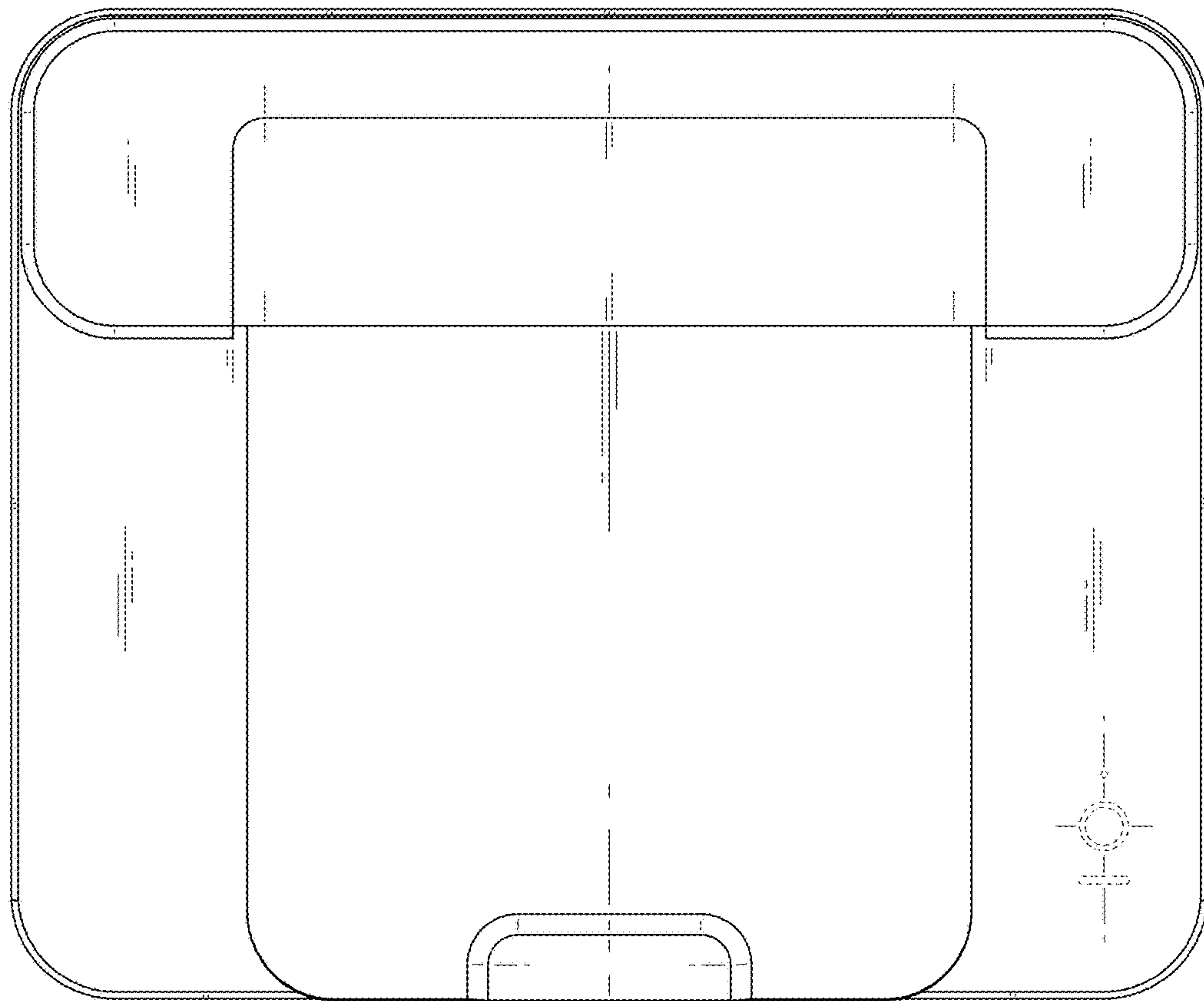


FIG. 7

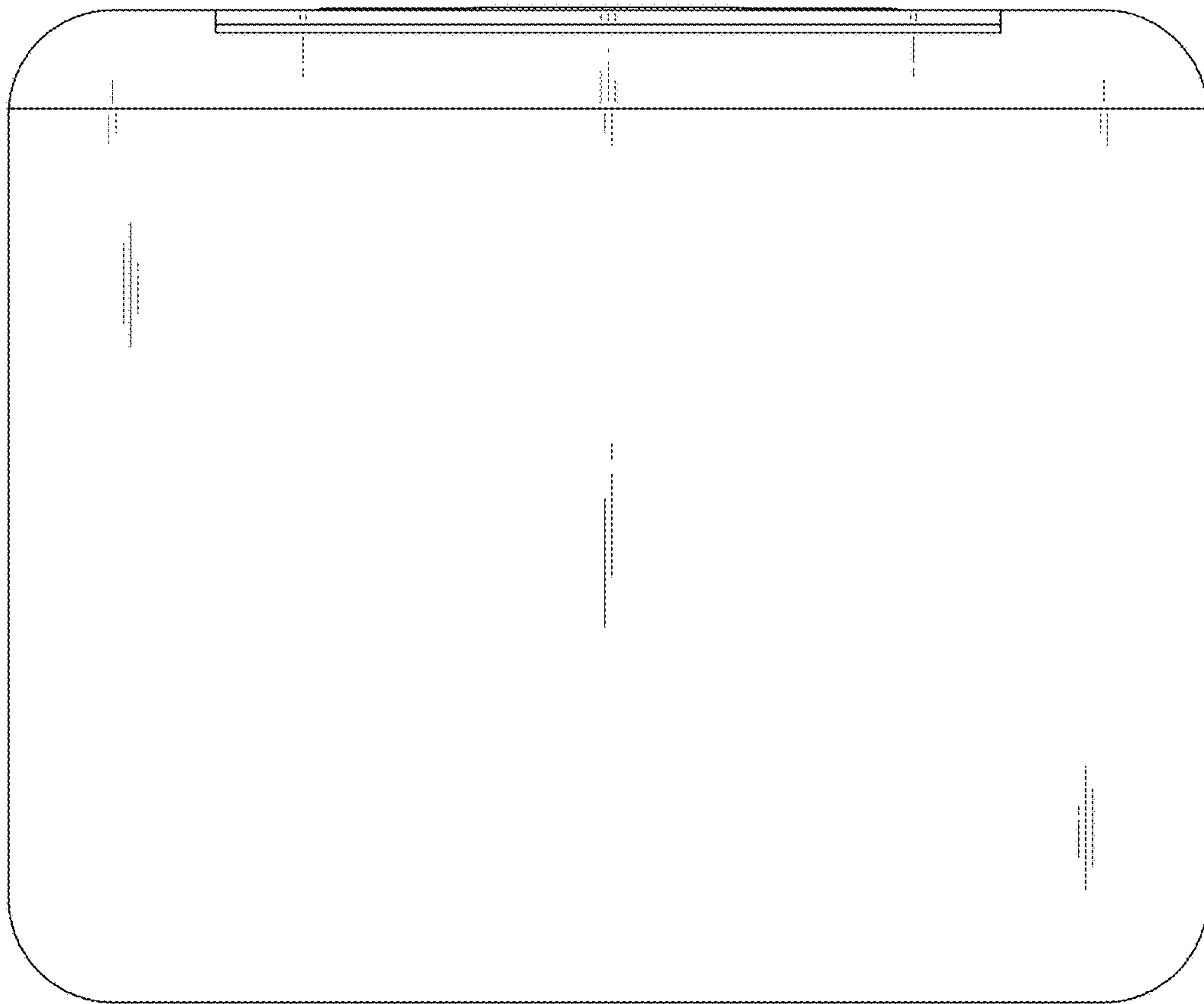


FIG. 8

