



US00D838771S

(12) **United States Design Patent**  
**Kim**

(10) **Patent No.:** **US D838,771 S**

(45) **Date of Patent:** **\*\* Jan. 22, 2019**

(54) **PRINTER**

(71) Applicant: **S-Printing Solution Co., Ltd.**,  
Suwon-si (KR)

(72) Inventor: **Jong-Kyu Kim**, Yongin-si (KR)

(73) Assignee: **HP PRINTING KOREA CO., LTD.**,  
Suwon-si (KR)

(\*\*) Term: **15 Years**

(21) Appl. No.: **29/604,863**

(22) Filed: **May 22, 2017**

(30) **Foreign Application Priority Data**

Feb. 17, 2017 (KR) ..... 30-2017-0007512

(51) **LOC (11) Cl.** ..... **14-02**

(52) **U.S. Cl.**  
USPC ..... **D18/50**

(58) **Field of Classification Search**  
USPC ..... D18/50, 54-55, 36-37; D14/421; 347/3  
CPC ..... B41J 11/04; B41J 11/0045; B41J 11/4075;  
B41J 11/58; B41J 3/00; B41J 15/00;  
B41J 15/12; B41J 15/042; G06K 15/12;  
G06K 15/14

See application file for complete search history.

(56) **References Cited**

**U.S. PATENT DOCUMENTS**

D723,616 S \* 3/2015 Nakagawa ..... D18/55  
D725,184 S \* 3/2015 Kim ..... D18/55

D735,268 S \* 7/2015 Sato ..... D18/55  
D750,164 S \* 2/2016 So ..... D18/50  
D771,183 S \* 11/2016 Kim ..... D18/55  
9,503,595 B2 \* 11/2016 Ueyama ..... G06K 15/12  
D785,085 S \* 4/2017 Lee ..... D18/55  
D788,843 S \* 6/2017 Lee ..... D18/55  
D792,923 S \* 7/2017 Kim ..... D18/55  
D810,194 S \* 2/2018 Kim ..... D18/50  
10,021,258 B2 \* 7/2018 Han ..... H04N 1/00519

\* cited by examiner

*Primary Examiner* — Robin V Webster

*Assistant Examiner* — J. Thorn, Sr.

(74) *Attorney, Agent, or Firm* — NSIP Law

(57) **CLAIM**

I claim the ornamental design for a printer, as shown and described.

**DESCRIPTION**

FIG. 1 is a front perspective view of a printer showing my new design;

FIG. 2 is a front elevational view thereof;

FIG. 3 is a rear elevational view thereof;

FIG. 4 is a left-side elevational view thereof;

FIG. 5 is a right-side elevational view thereof;

FIG. 6 is a top plan view thereof;

FIG. 7 is a bottom plan view thereof;

FIG. 8 is a bottom rear perspective view thereof; and,

FIG. 9 is a cross-sectional view taken through line 9-9 of FIG. 2.

The broken lines in the figures depict environmental subject matter and form no part of the claimed design.

**1 Claim, 9 Drawing Sheets**

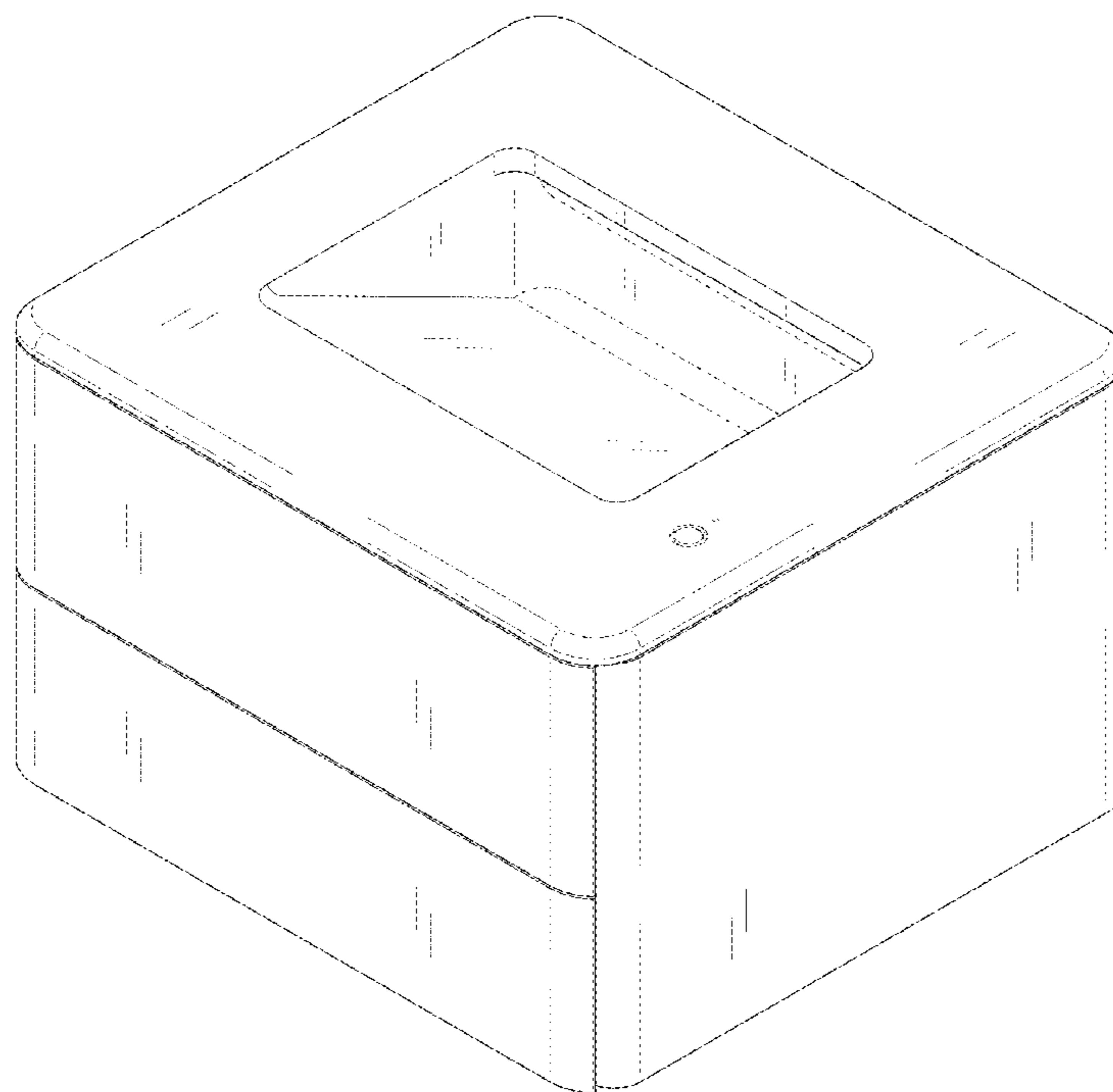


FIG. 1

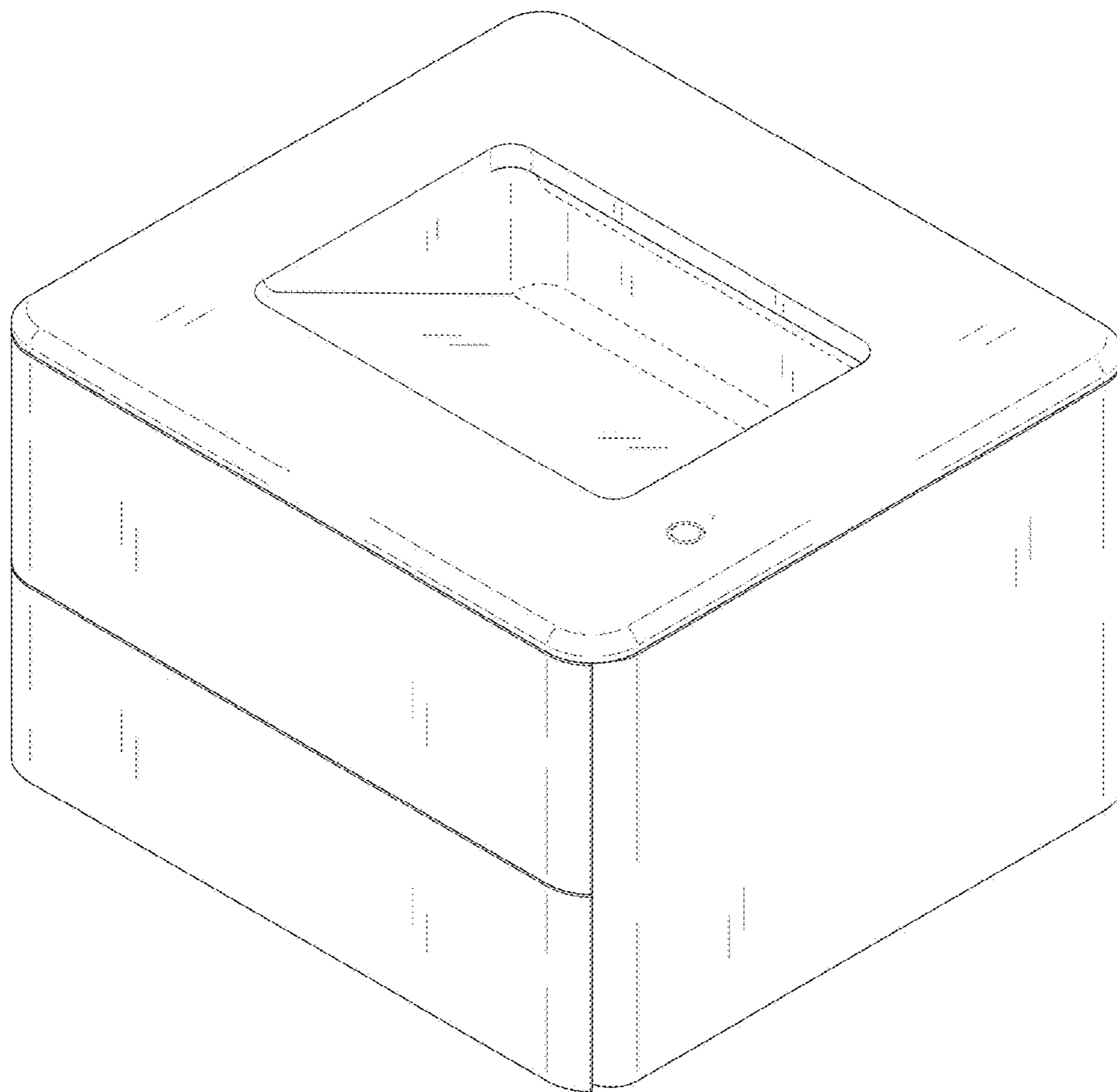


FIG. 2

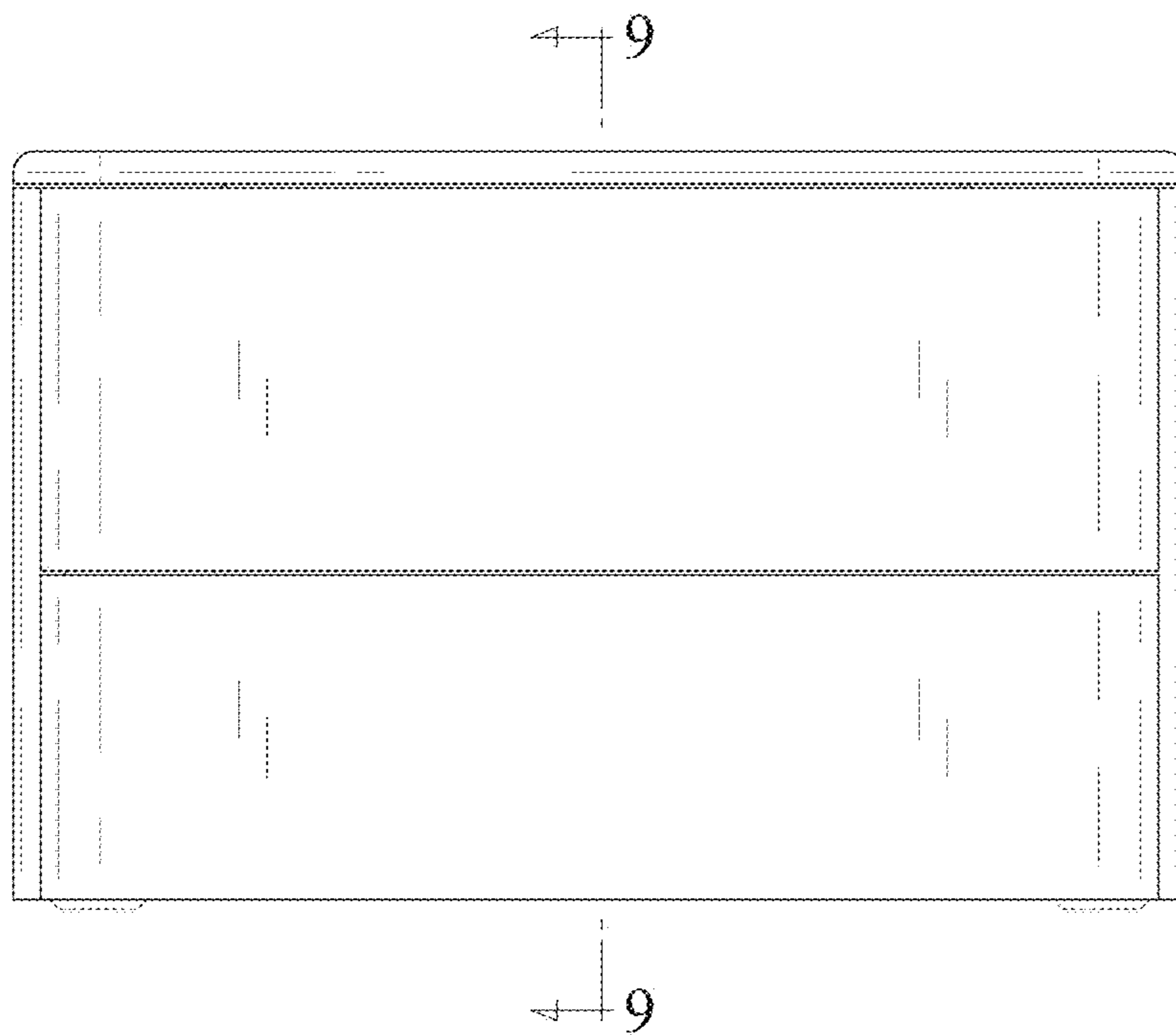


FIG. 3

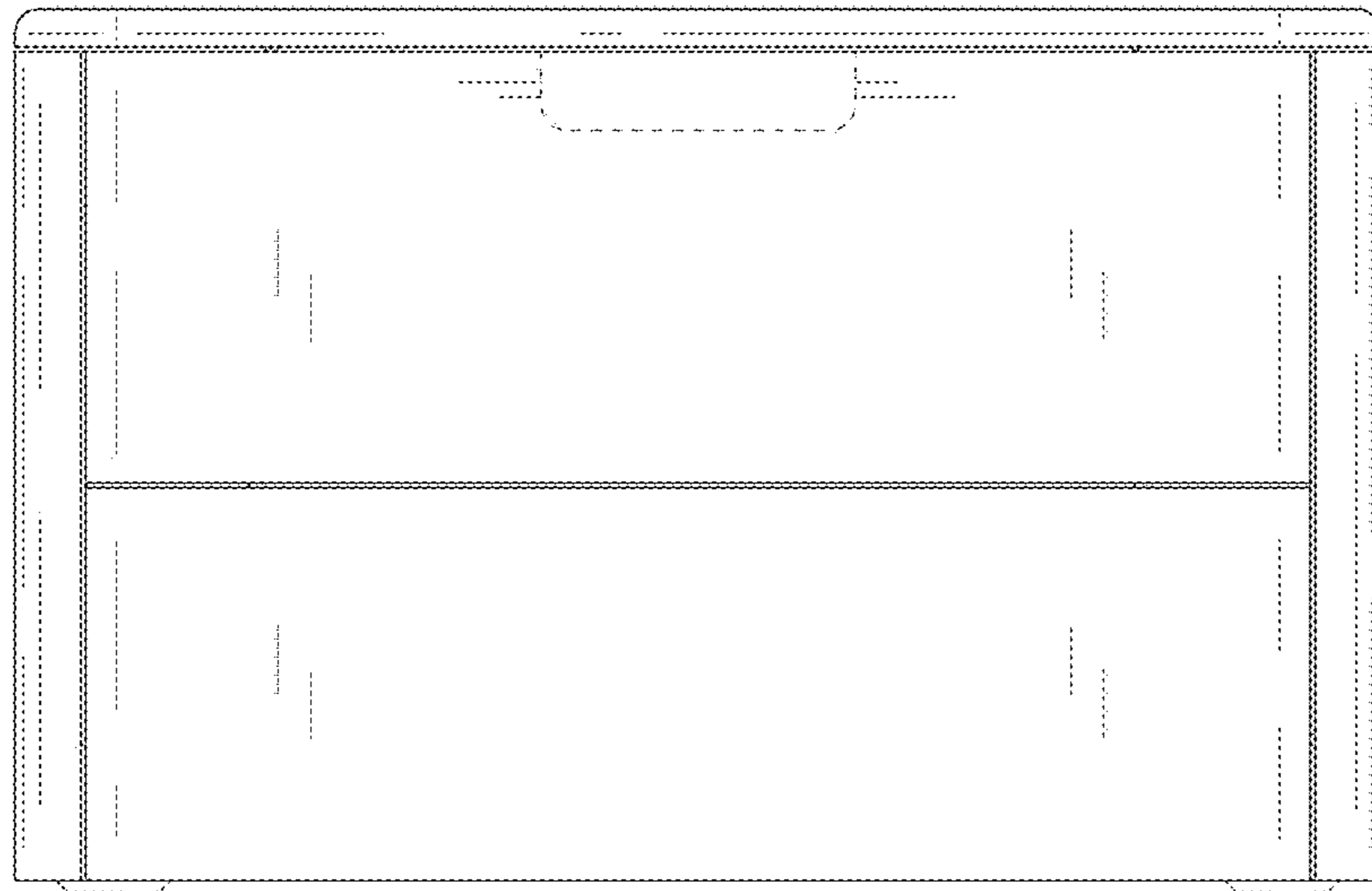


FIG. 4

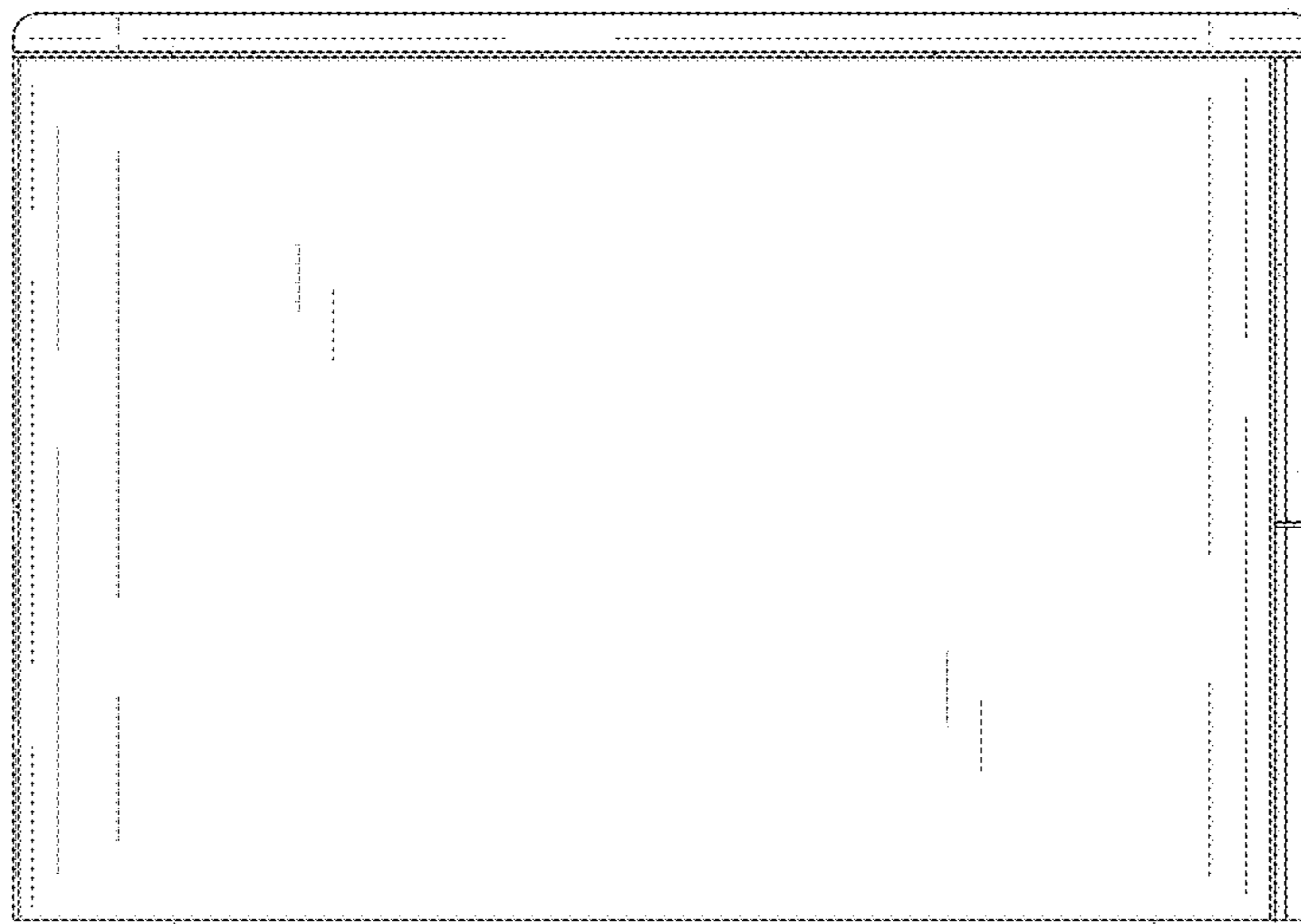


FIG. 5

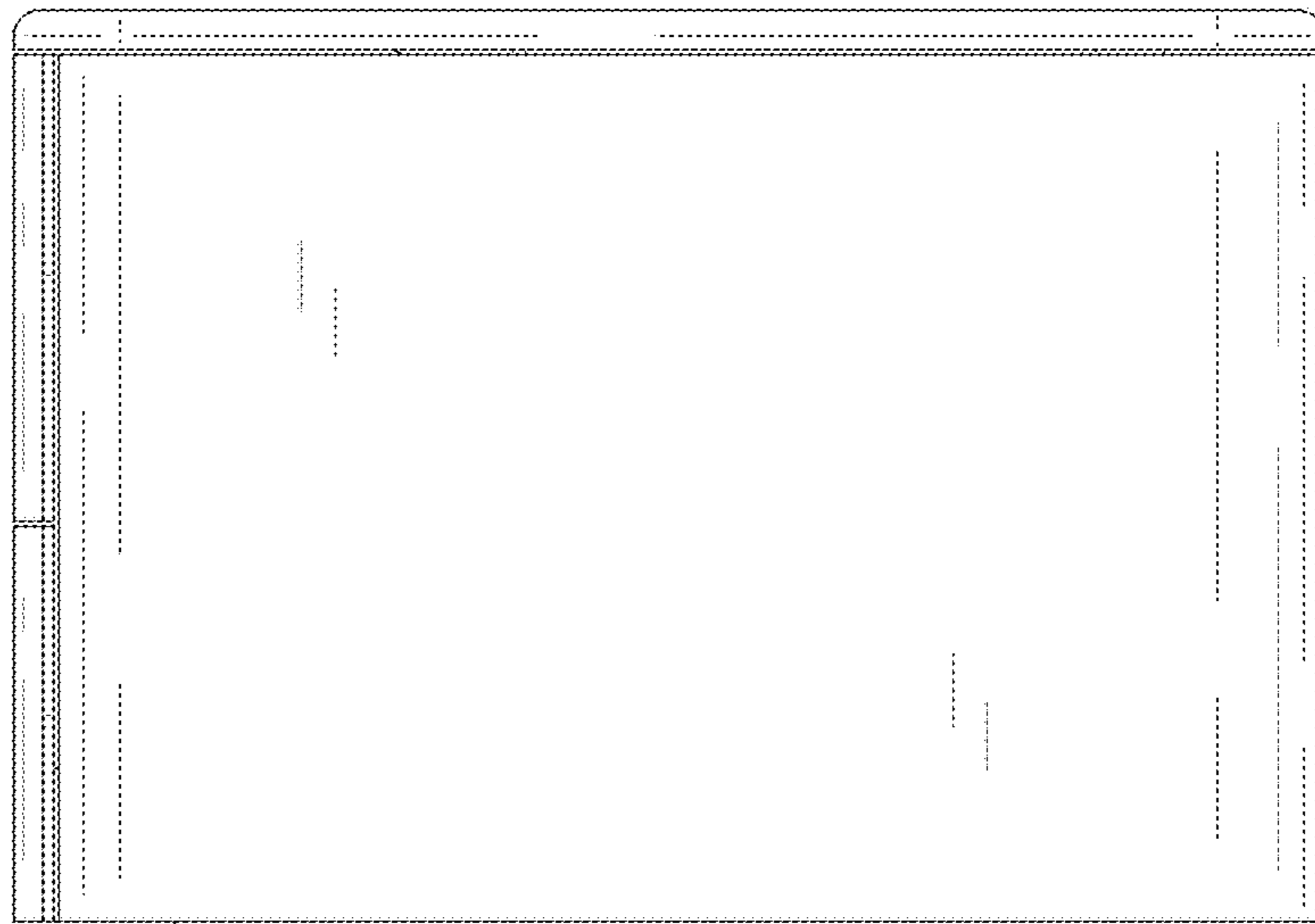


FIG. 6

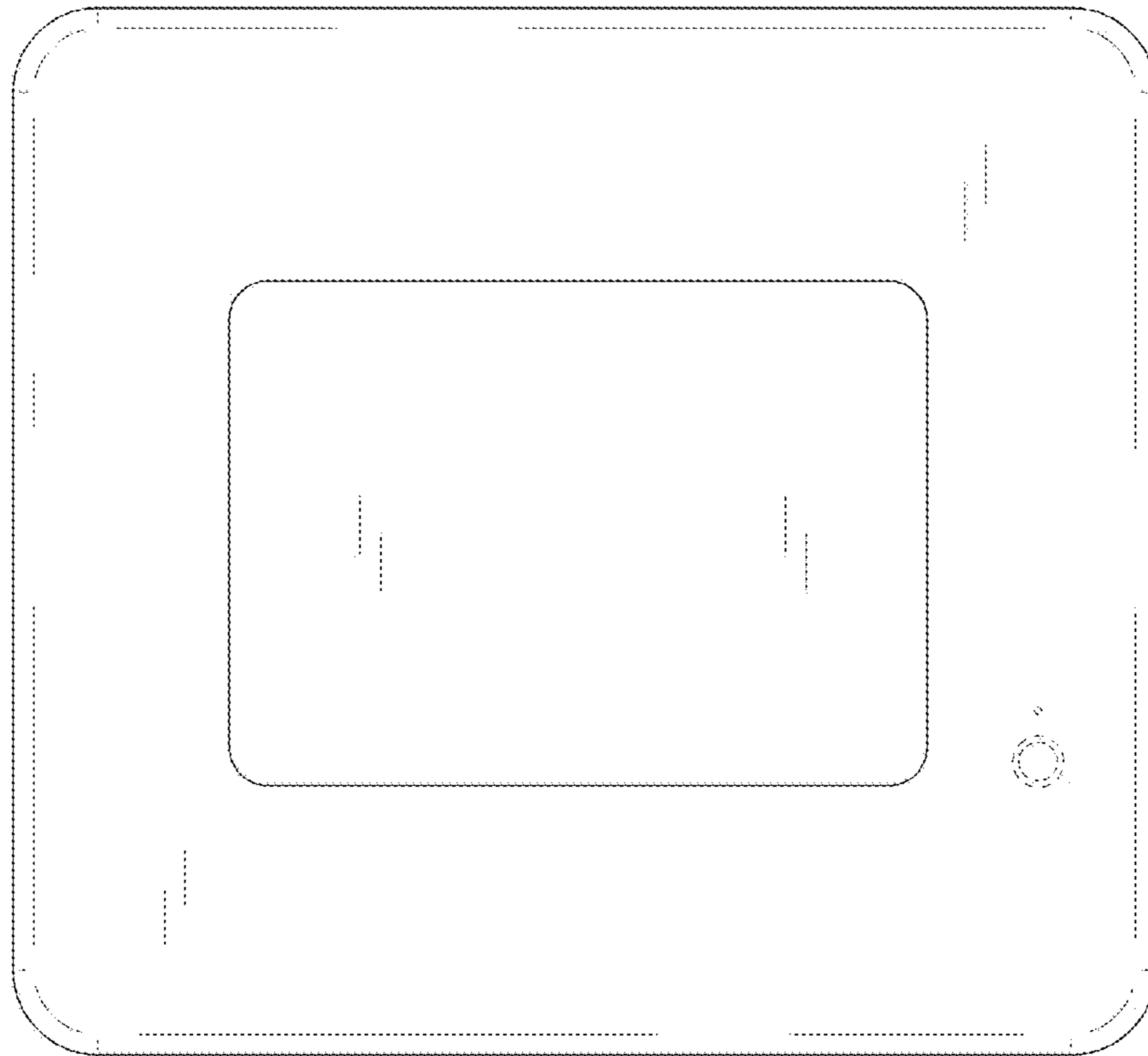


FIG. 7

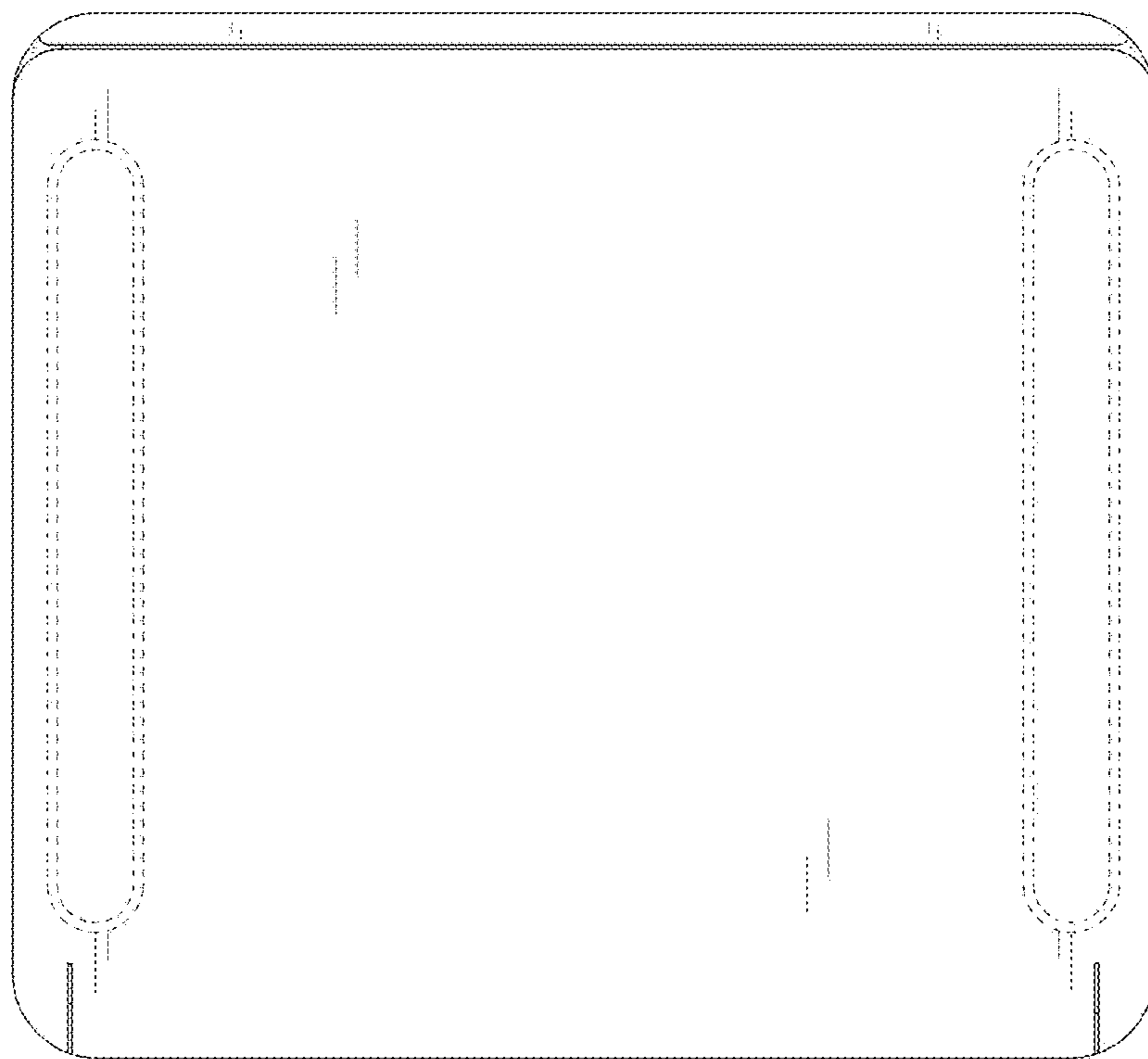




FIG. 8

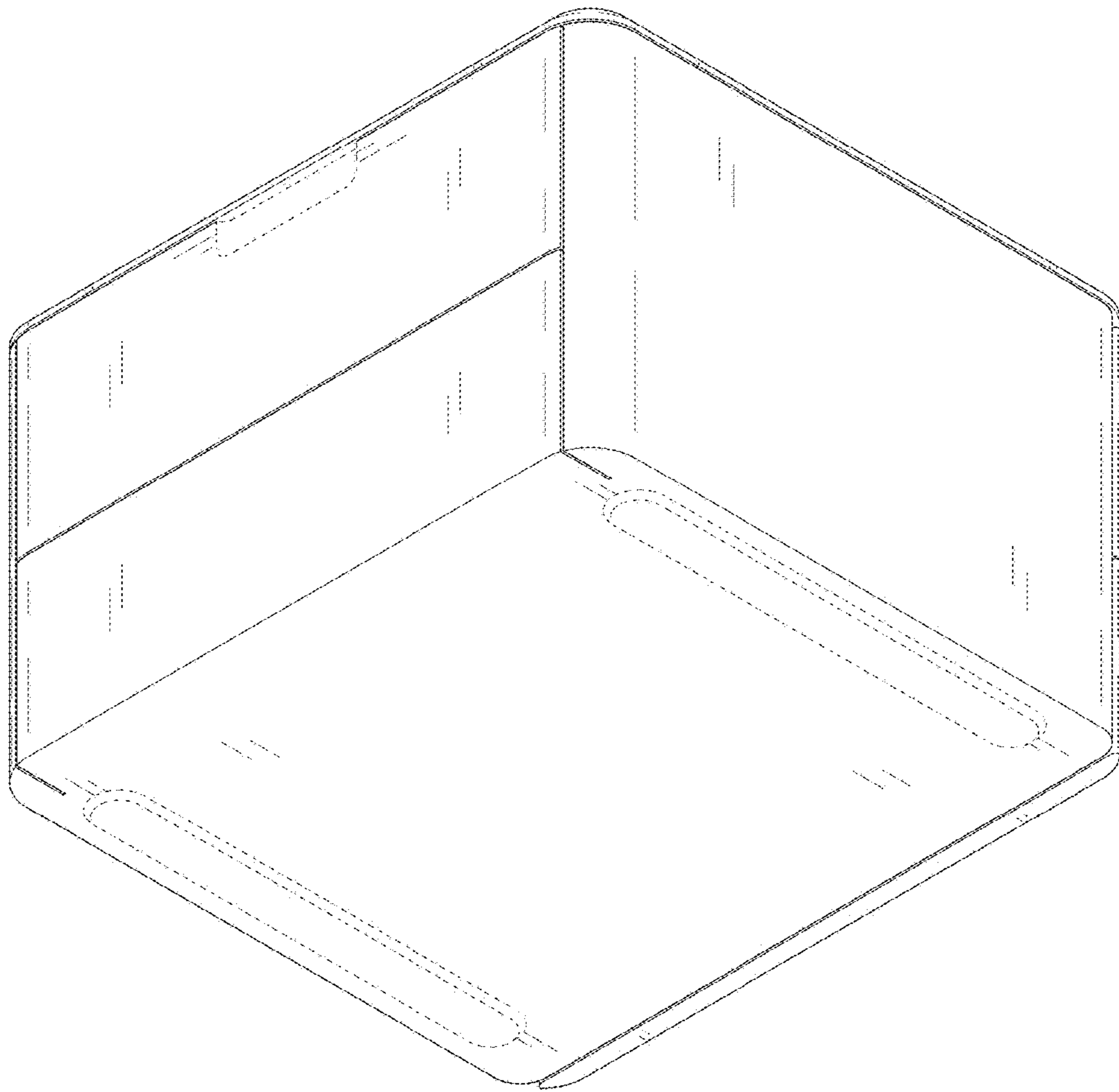


FIG. 9

