



US00D838768S

(12) **United States Design Patent** (10) **Patent No.:** **US D838,768 S**
Lu et al. (45) **Date of Patent:** **** Jan. 22, 2019**

(54) **MINI PROJECTOR**

FOREIGN PATENT DOCUMENTS

(71) Applicant: **Shenzhen Maono Technology Co., Ltd**, Shenzhen (CN)

CN 303226330 * 10/2014
KR 300780348.0000 * 5/2014

(72) Inventors: **Jun Lu**, Shenzhen (CN); **Lixing Deng**, Shenzhen (CN)

OTHER PUBLICATIONS

(73) Assignee: **Shenzhen Maono Technology Co., Ltd**, Shenzhen (CN)

Mini LED projector. DLP Texas Instruments. Retrieved on May 2, 2018. Retrieved from the Internet: <URL: <https://monavy.com/products/mini-hd>>.*

(**) Term: **15 Years**

* cited by examiner

(21) Appl. No.: **29/606,026**

Primary Examiner — Wan Laymon

(22) Filed: **Jun. 1, 2017**

(74) *Attorney, Agent, or Firm* — Yong Chen

(51) **LOC (11) Cl.** **16-02**

(52) **U.S. Cl.**

USPC **D16/230**

(58) **Field of Classification Search**

USPC D16/221, 225, 229–231, 234–235;
D21/514; D14/496, 125, 135, 188

CPC G03B 21/00; G03B 21/001; G03B 21/003;
G03B 21/12; G03B 21/14; G03B 21/145

See application file for complete search history.

(57) **CLAIM**

The ornamental design for a mini projector, as shown and described.

DESCRIPTION

FIG. 1 is a front view of a mini projector of the present invention.

FIG. 2 is a back view of the mini projector shown in FIG. 1.

FIG. 3 is a top view of the mini projector shown in FIG. 1. FIG. 4 is a bottom view of the mini projector shown in FIG. 1.

FIG. 5 is a left view of the mini projector shown in FIG. 1. FIG. 6 is a right view of the mini projector shown in FIG. 1; and,

FIG. 7 is a perspective view of the mini projector shown in FIG. 1.

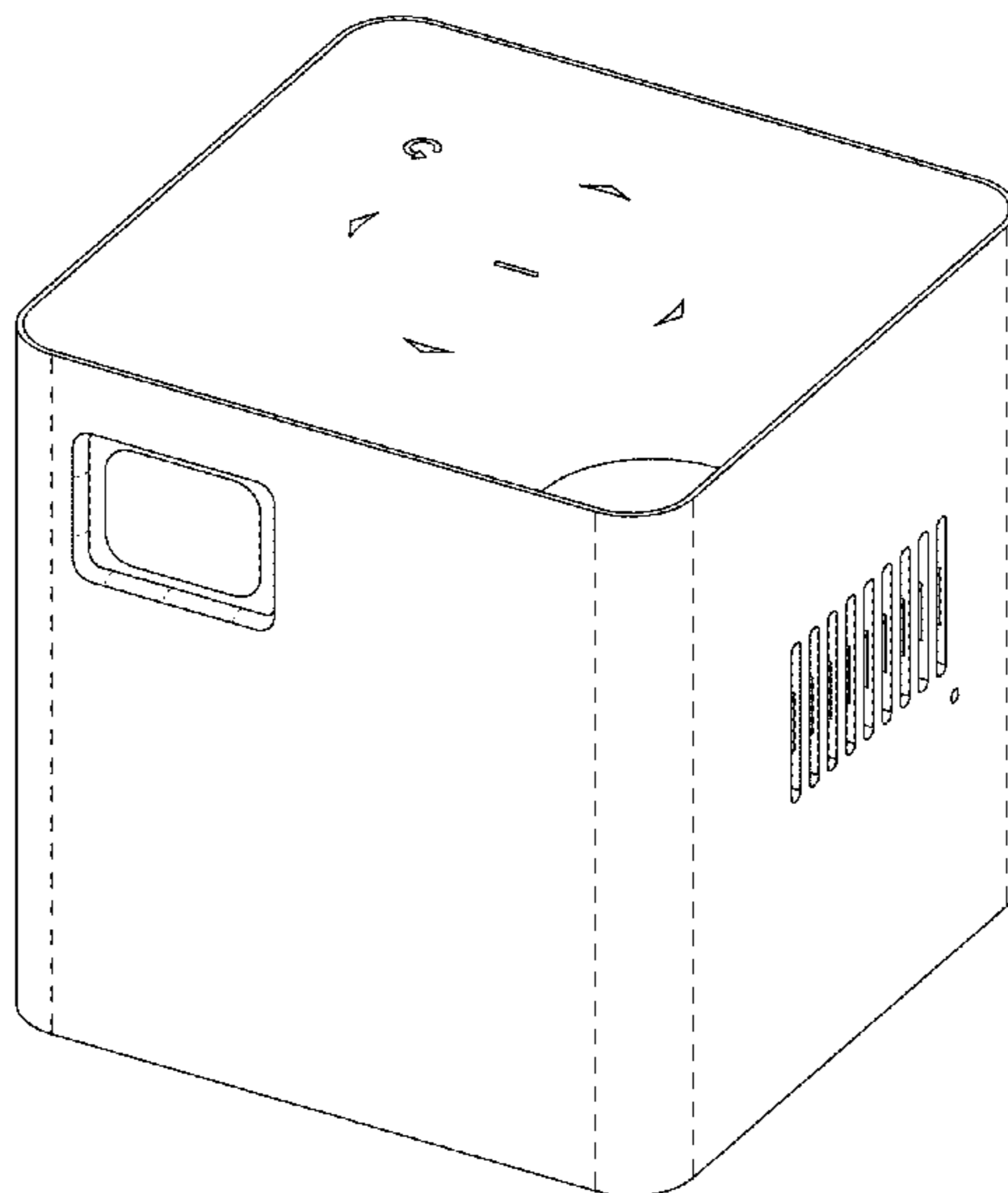
The broken line showing of certain portions of the mini projector is included for the purpose of illustration only and forms no part of the claimed design.

(56) **References Cited**

U.S. PATENT DOCUMENTS

D513,030 S *	12/2005	Schoenert	D16/221
D514,611 S *	2/2006	Schoenert	D16/221
D522,561 S *	6/2006	Ikeuchi	D16/225
7,216,989 B2 *	5/2007	Sakurai	G03B 21/145 353/119
D575,812 S *	8/2008	Senda	D16/225
D629,827 S *	12/2010	Morenstein	D16/221
8,303,121 B2 *	11/2012	Nagaharu	G03B 21/14 353/119
D791,214 S *	7/2017	Park	D16/230
D813,933 S *	3/2018	Bukhovtsev	D16/230
2011/0234999 A1 *	9/2011	Igarashi	G03B 21/145 353/85

1 Claim, 7 Drawing Sheets



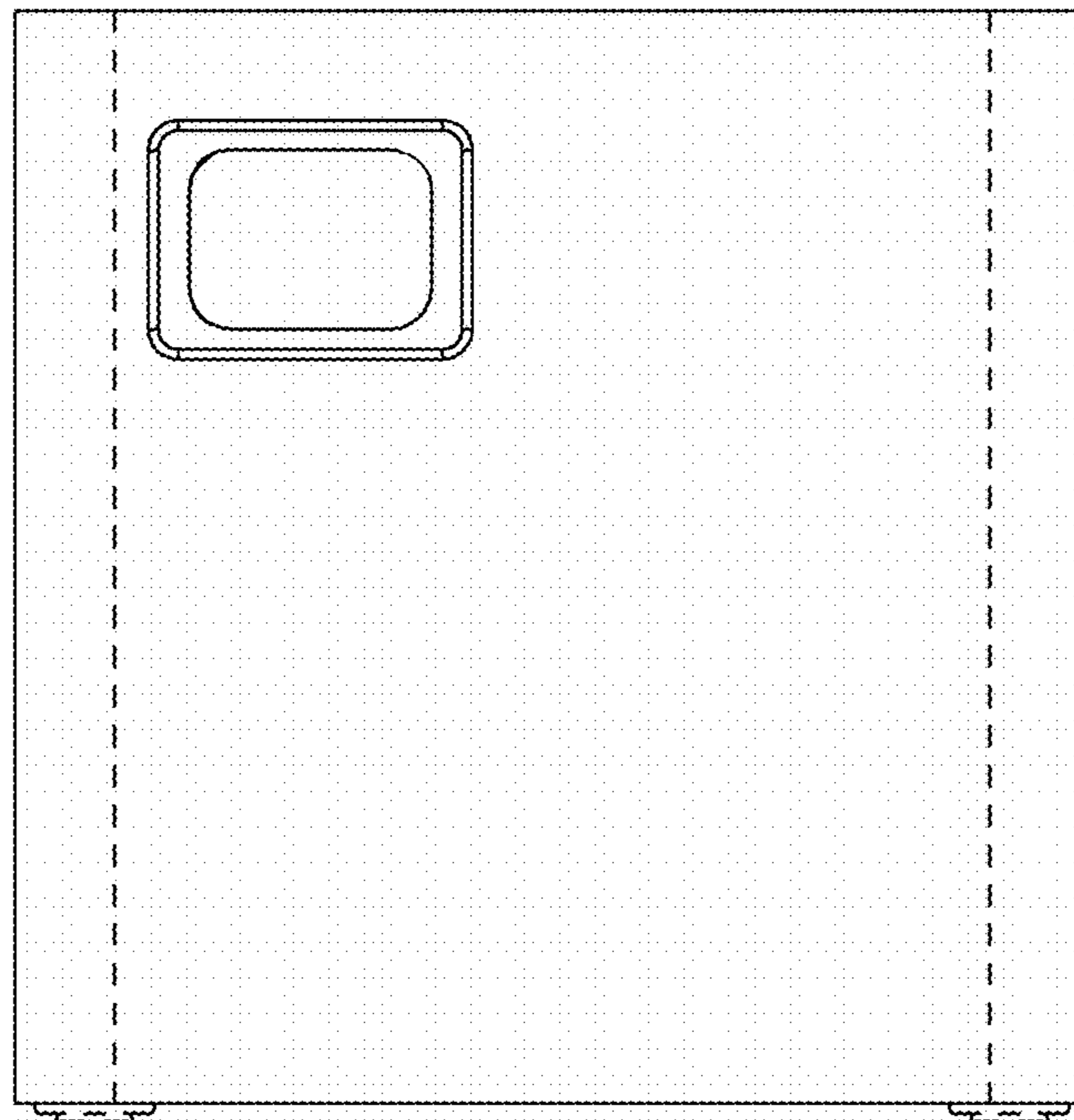


FIG. 1

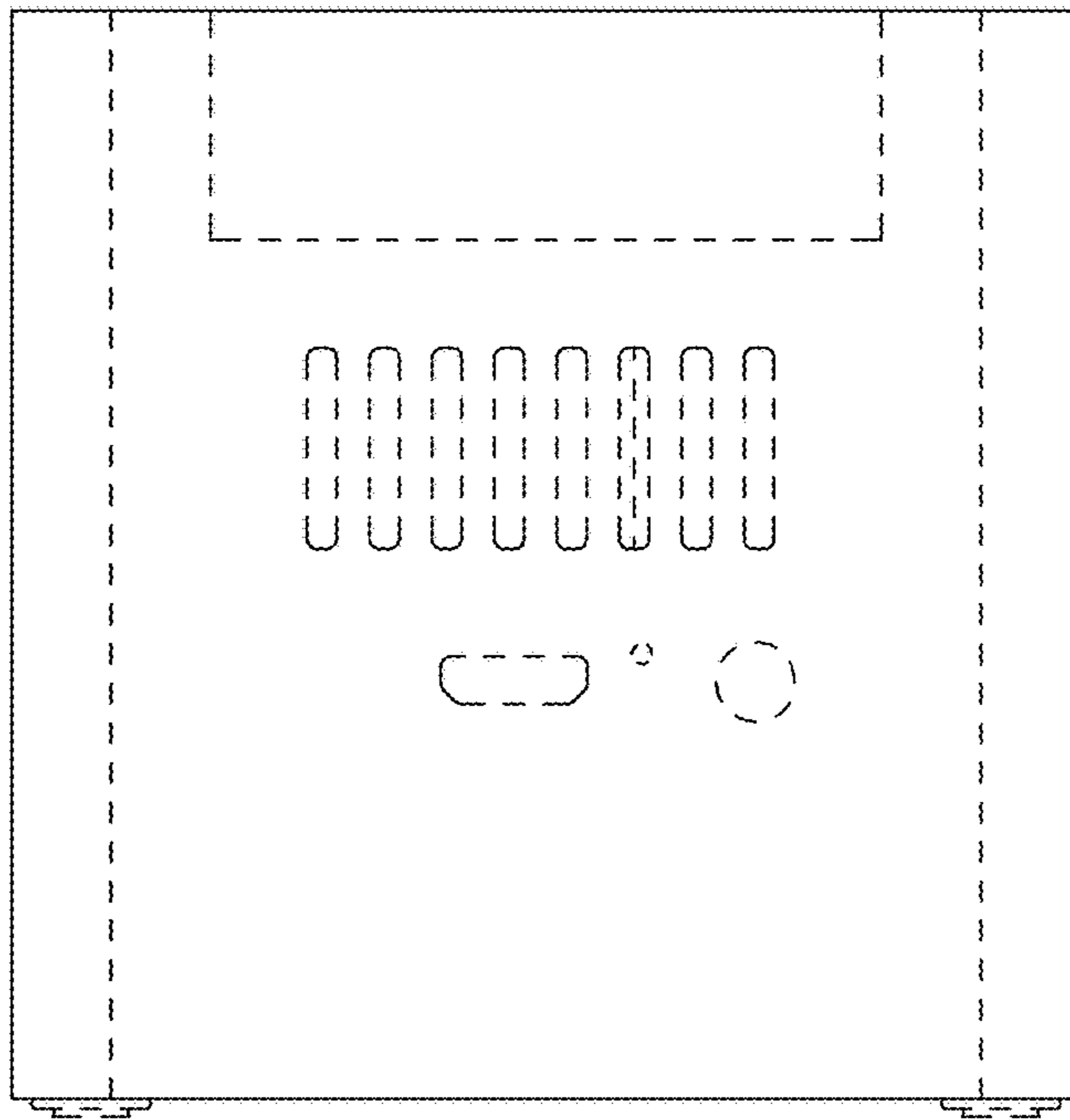


FIG. 2

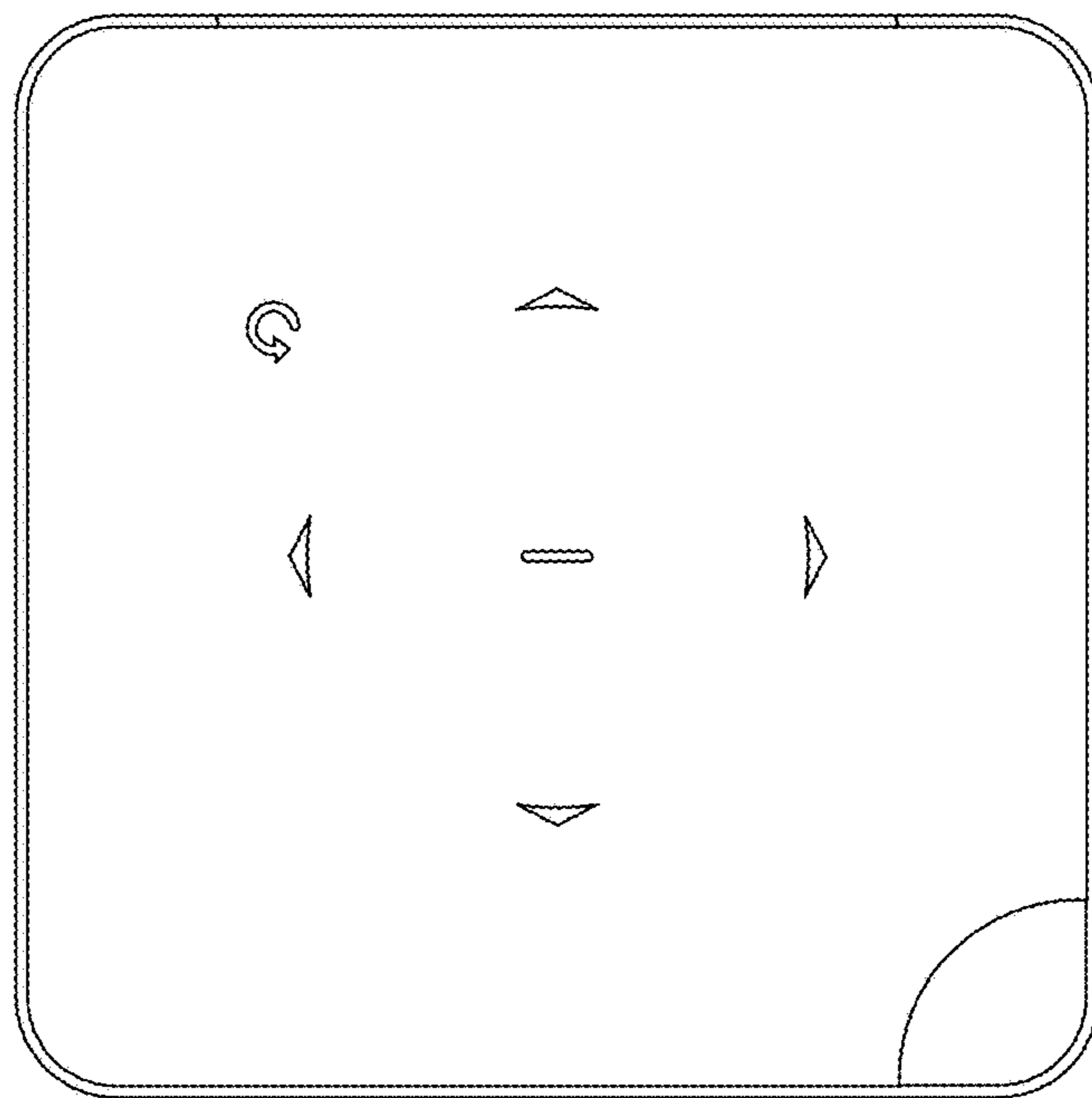


FIG. 3

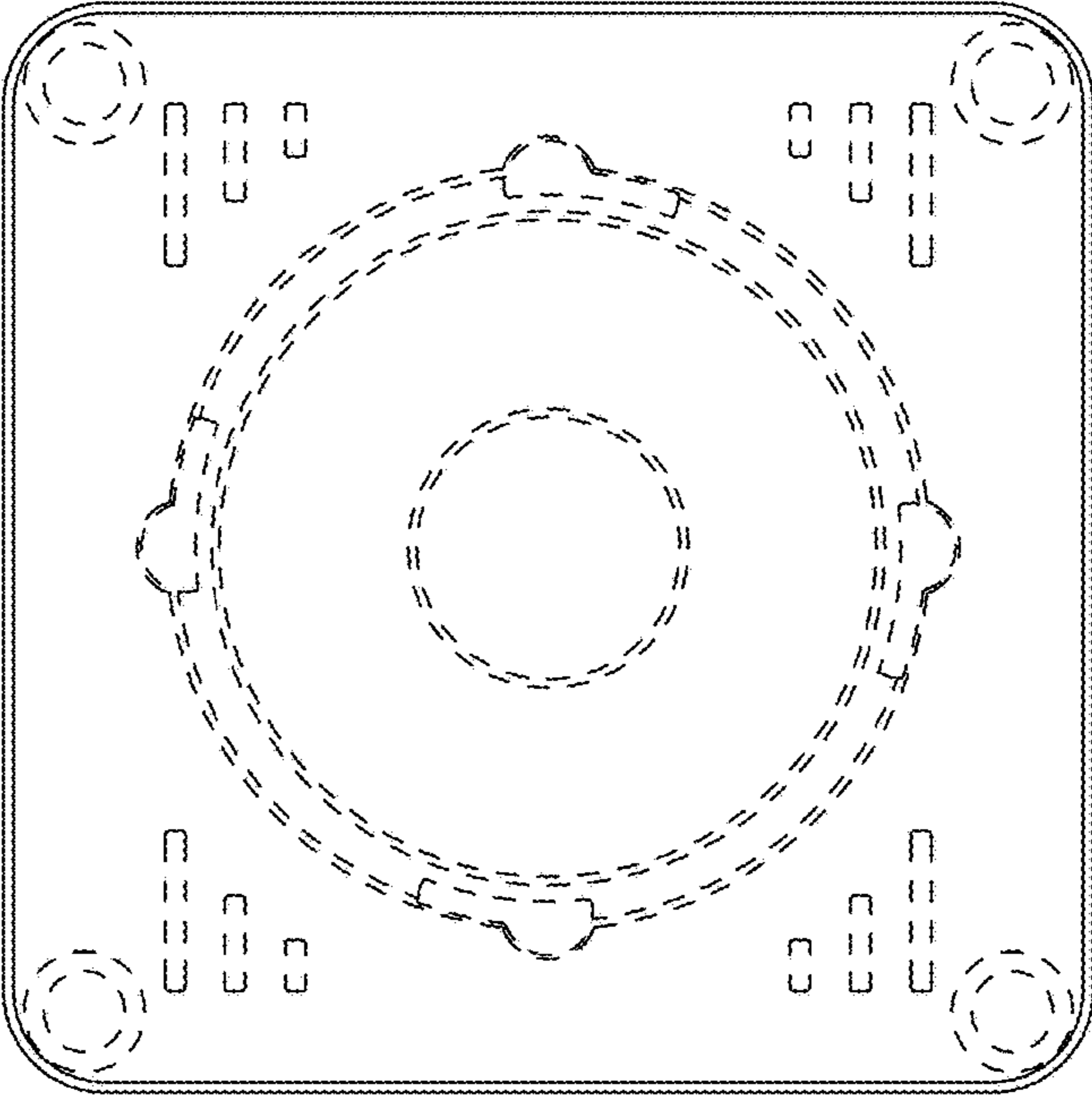


FIG. 4

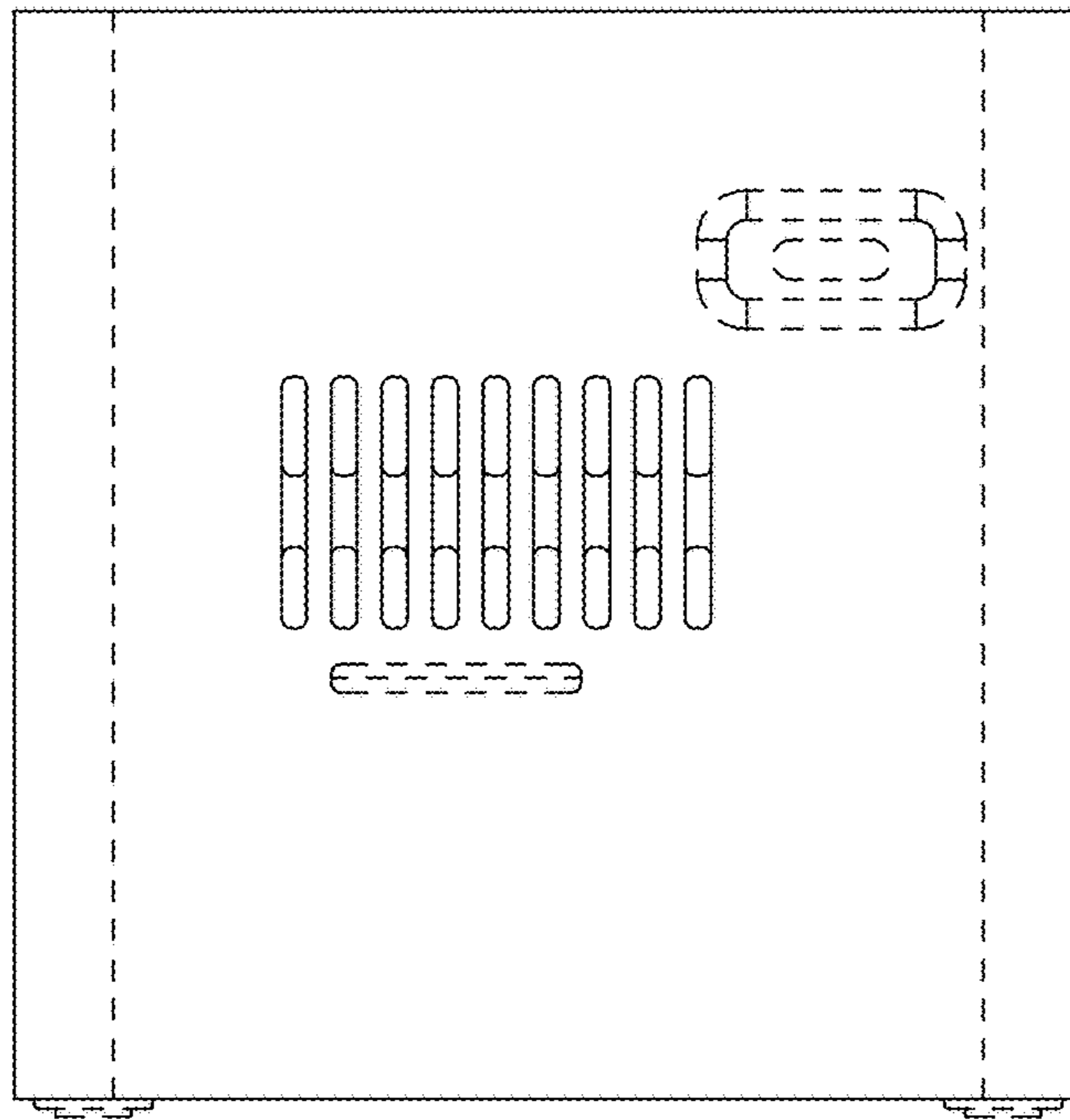


FIG. 5

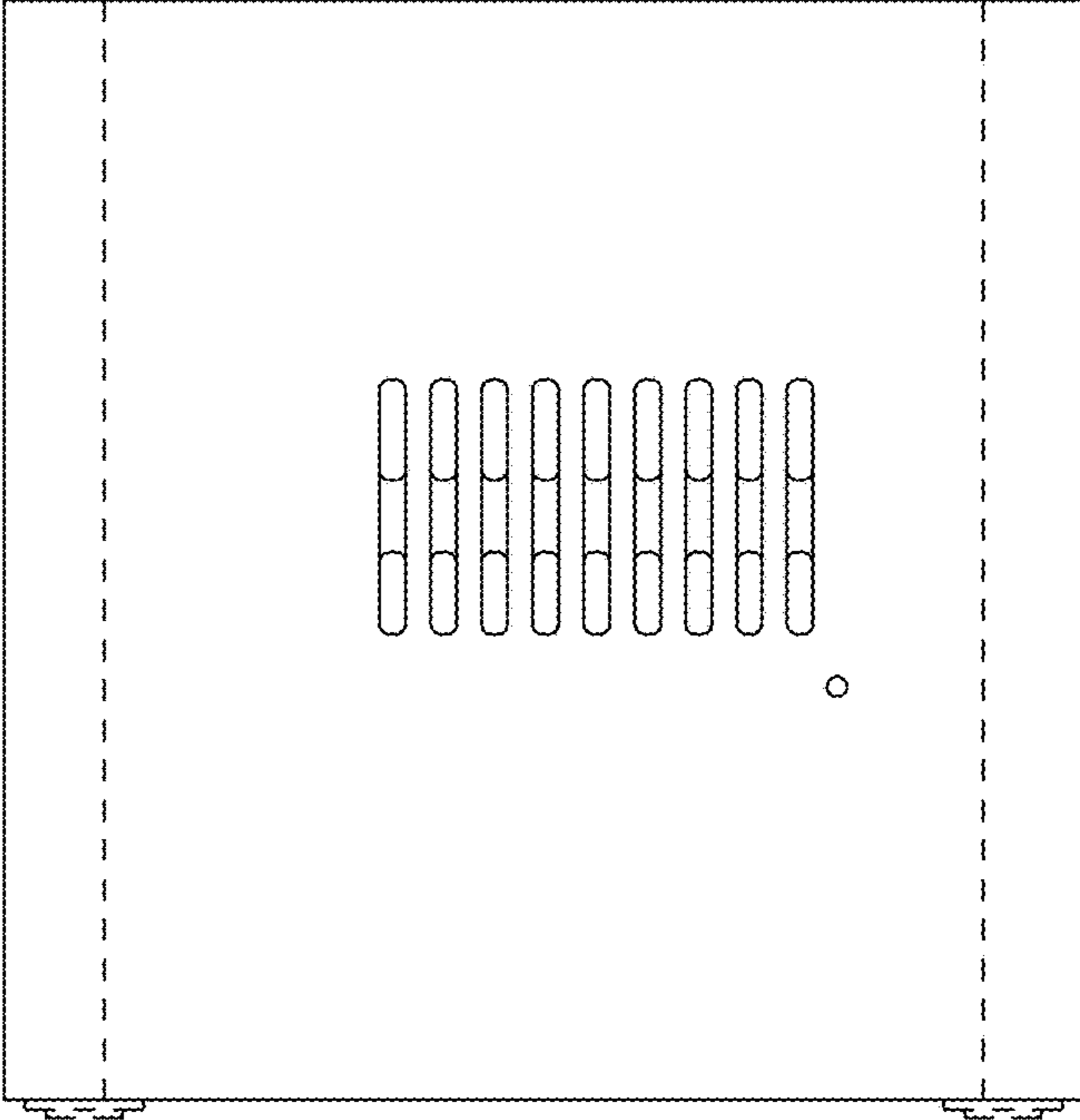


FIG. 6

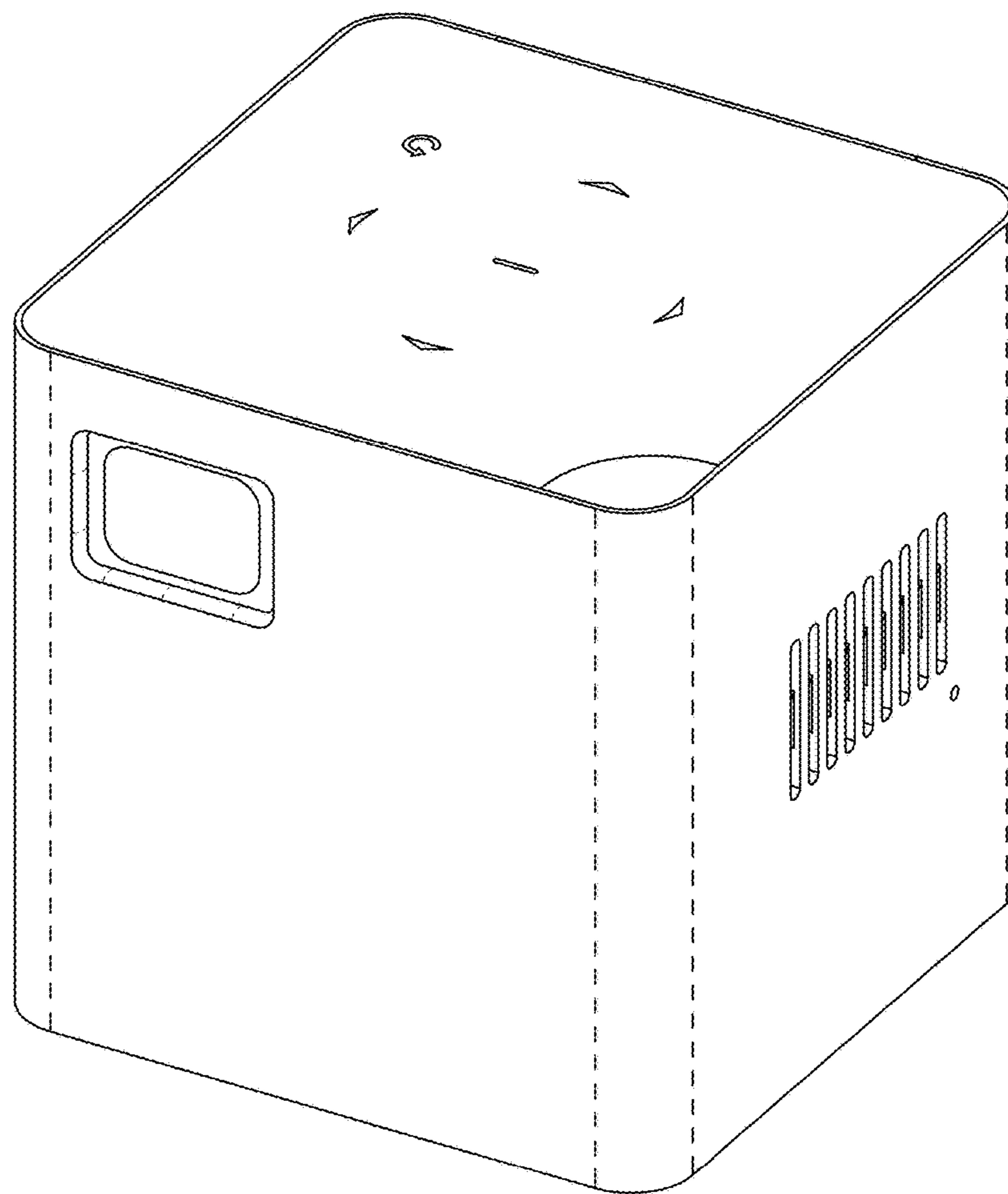


FIG. 7