



US00D838767S

(12) **United States Design Patent** (10) **Patent No.:** **US D838,767 S**
Siminoff et al. (45) **Date of Patent:** **** Jan. 22, 2019**

(54) **FLOODLIGHT CONTROLLER WITH CAMERA**

- (71) Applicant: **Amazon Technologies, Inc.**, Seattle, WA (US)
- (72) Inventors: **James Siminoff**, Pacific Palisades, CA (US); **John Modestine**, Los Angeles, CA (US); **Mark Siminoff**, Mountain View, CA (US); **Christopher Loew**, Palo Alto, CA (US)
- (73) Assignee: **Amazon Technologies, Inc.**, Seattle, WA (US)
- (**) Term: **15 Years**
- (21) Appl. No.: **29/648,606**
- (22) Filed: **May 22, 2018**

Related U.S. Application Data

- (63) Continuation of application No. 29/621,249, filed on Oct. 5, 2017, now Pat. No. Des. 821,478, which is a continuation of application No. 29/583,174, filed on Nov. 2, 2016, now Pat. No. Des. 802,645.
- (51) **LOC (11) Cl.** **16-05**
- (52) **U.S. Cl.**
USPC **D16/219**; D16/203
- (58) **Field of Classification Search**
USPC D16/200, 202–207, 208, 218, 219; 348/143, 148, 151, 373–376; 396/419, 396/427, 535, 539–541
CPC G03B 17/02; G03B 19/04; G03B 17/56; G03B 17/04; G03B 15/03; H04N 5/2251; H04N 5/2252; H04N 5/2253; H04N 5/2254; H04N 7/181; H04N 7/183; H04N 7/18; G08B 13/1963; G08B 13/19619; G08B 13/19632; F16M 11/04; F16M 13/00

See application file for complete search history.

(56) **References Cited**

U.S. PATENT DOCUMENTS

D753,753 S *	4/2016	Moon	D16/203
D766,352 S *	9/2016	Hinkel	D16/203
D788,607 S *	6/2017	Ji	D10/70
D795,941 S *	8/2017	Dimitriadis	D16/203
D798,933 S *	10/2017	Little	D16/203
D798,934 S *	10/2017	Wu	D16/203
D810,805 S *	2/2018	Loew	D16/203
D815,174 S *	4/2018	Holbrook	D16/203
D818,515 S *	5/2018	Laurans	D16/203
D824,447 S *	7/2018	Li	D16/203

(Continued)

Primary Examiner — Philip S Hyder

Assistant Examiner — Ramzi S Almatrahi

(74) *Attorney, Agent, or Firm* — Chong IP Law, LLP

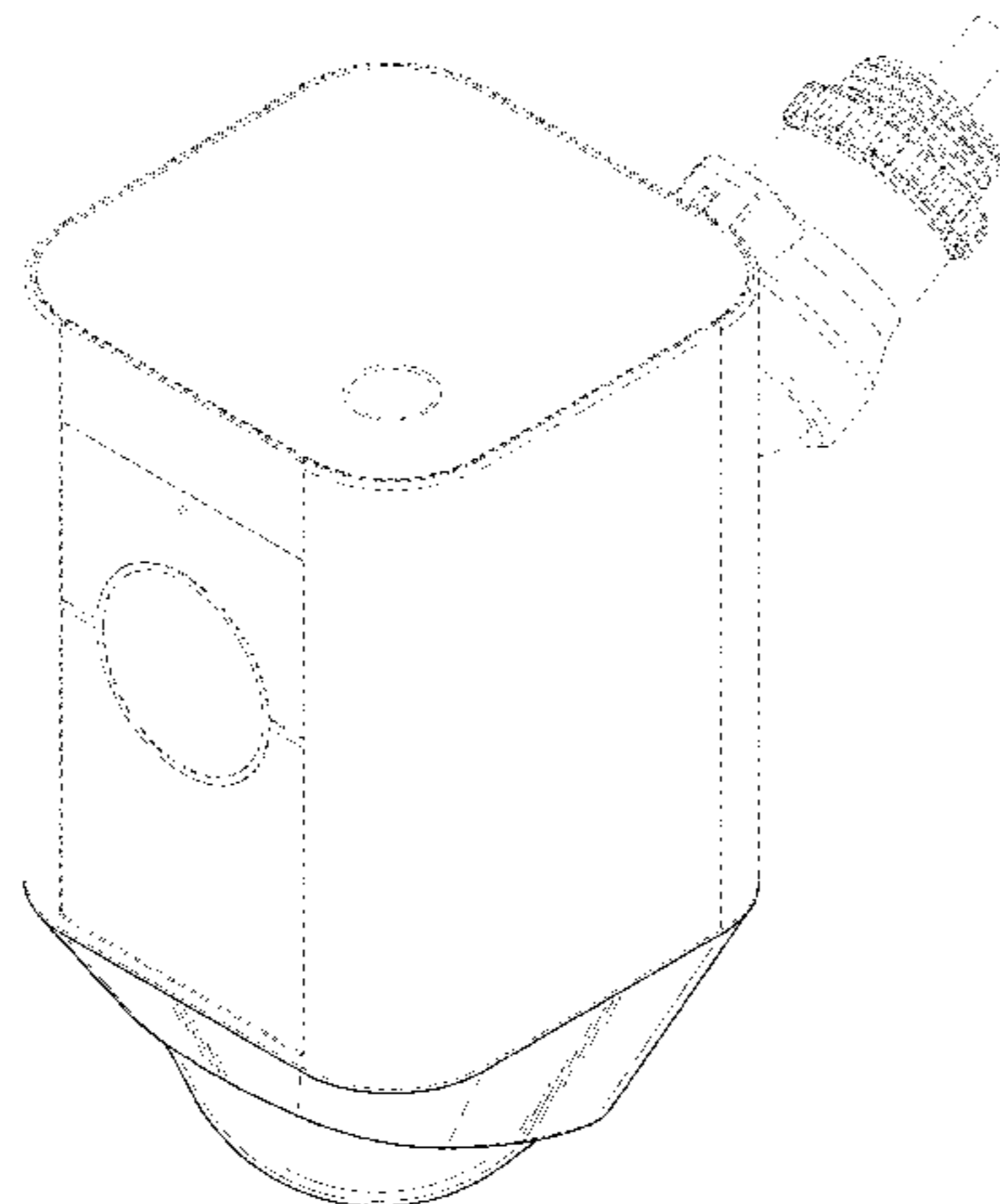
(57) **CLAIM**

The ornamental design for a floodlight controller with camera, as shown and described.

DESCRIPTION

FIG. 1 is a front perspective view of a floodlight controller with camera according to the present design;
 FIG. 2 is a front elevational view of the floodlight controller with camera of FIG. 1;
 FIG. 3 is a rear elevational view of the floodlight controller with camera of FIG. 1;
 FIG. 4 is a right-side elevational view of the floodlight controller with camera of FIG. 1;
 FIG. 5 is a left-side elevational view of the floodlight controller with camera of FIG. 1;
 FIG. 6 is a top plan view of the floodlight controller with camera of FIG. 1; and,
 FIG. 7 is a bottom plan view of the floodlight controller with camera of FIG. 1.
 In the drawings, the broken lines depict portions of the floodlight controller with camera that form no part of the claimed design.

1 Claim, 7 Drawing Sheets



(56)

References Cited

U.S. PATENT DOCUMENTS

D824,985 S * 8/2018 Teachworth D16/203
D825,638 S * 8/2018 Holbrook D16/203
D825,640 S * 8/2018 Andersson D16/203

* cited by examiner

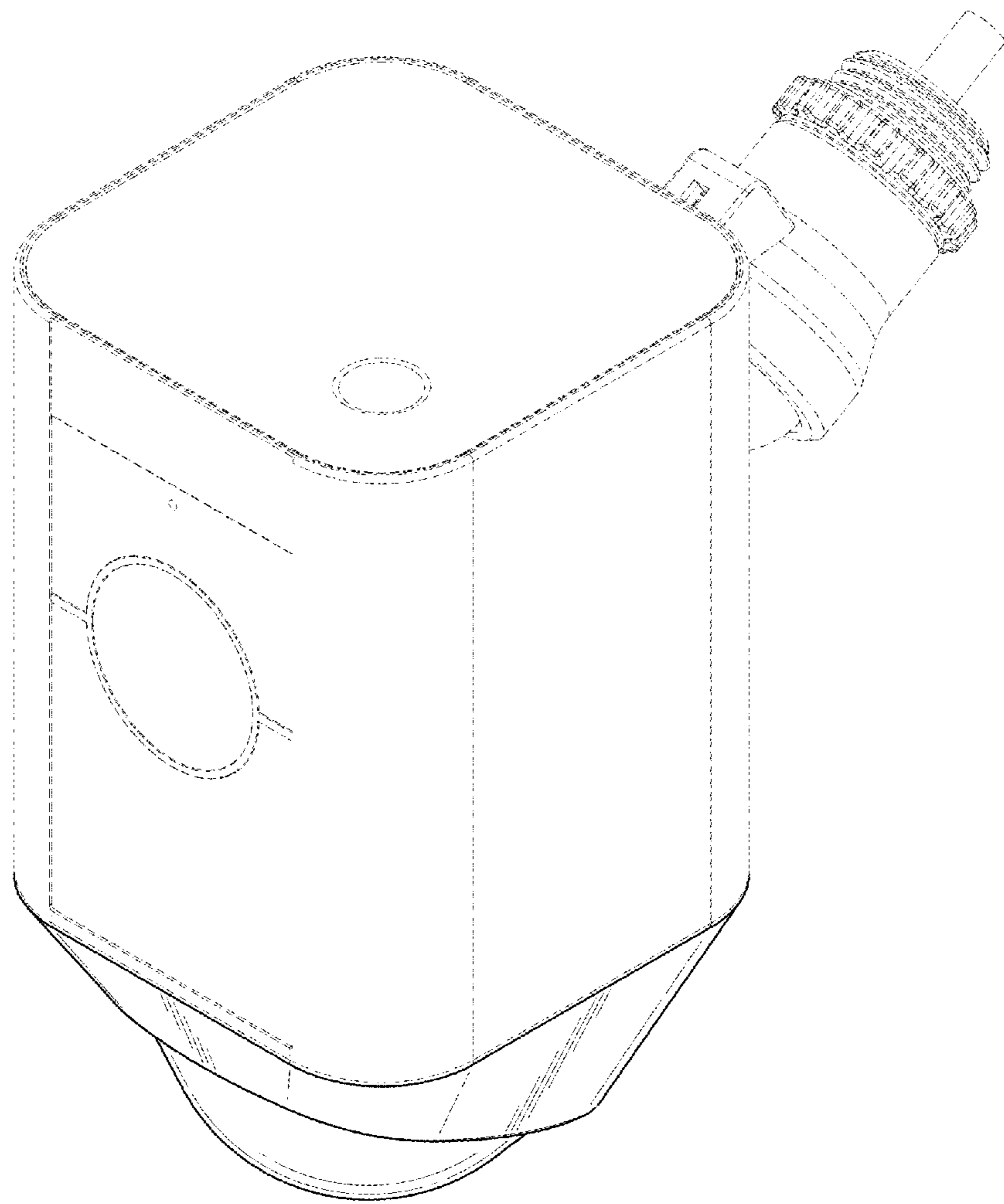


FIG. 1

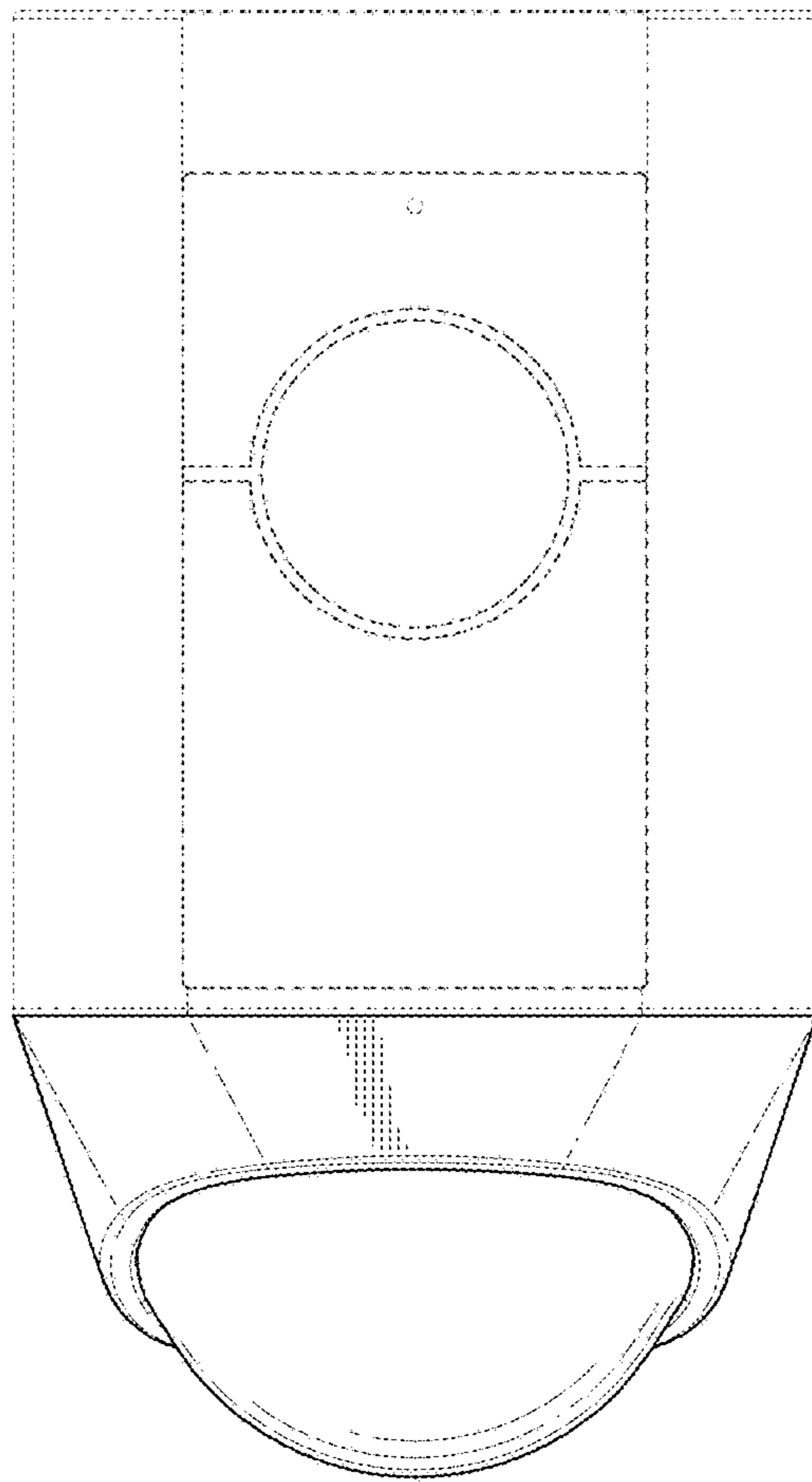


FIG. 2

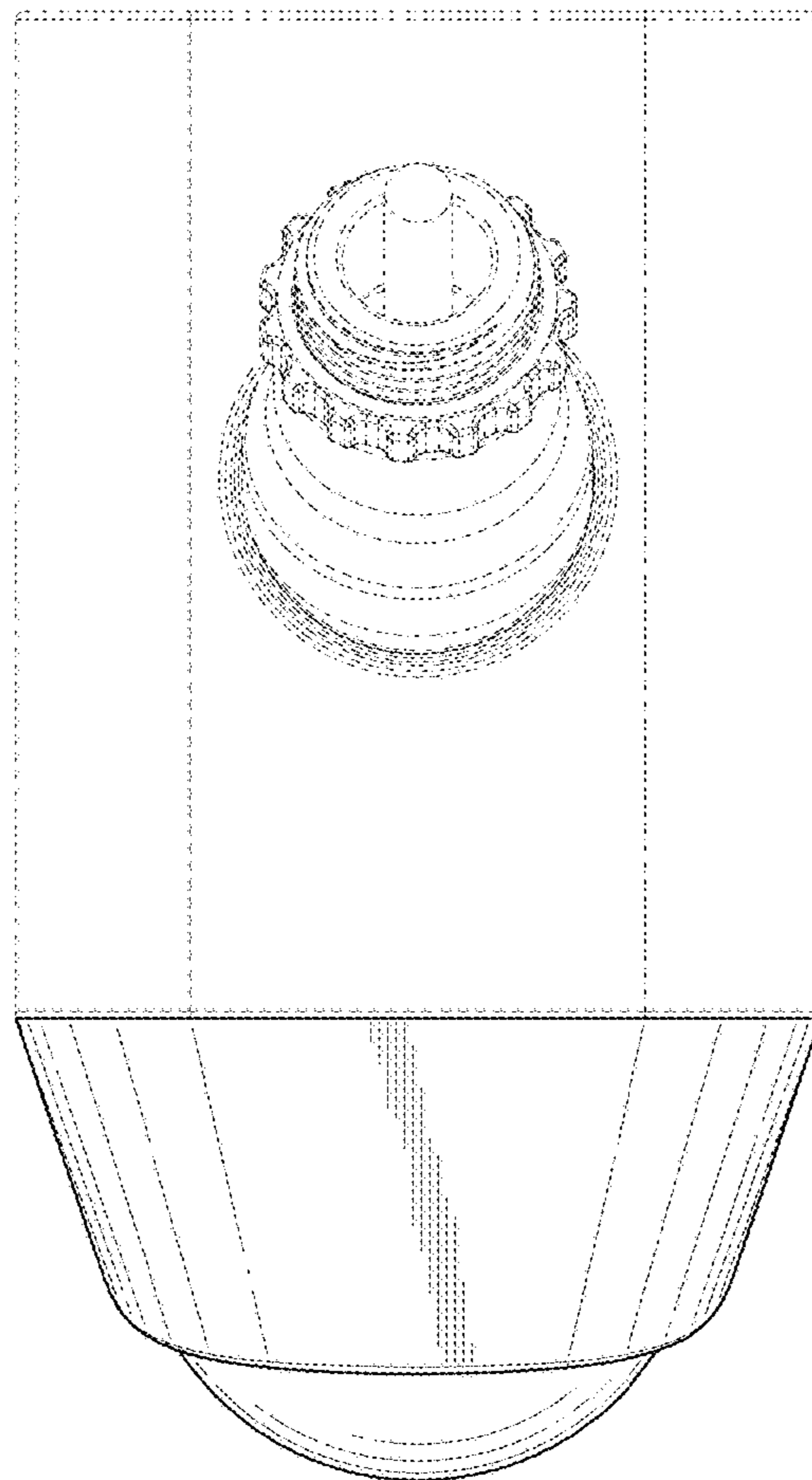


FIG. 3

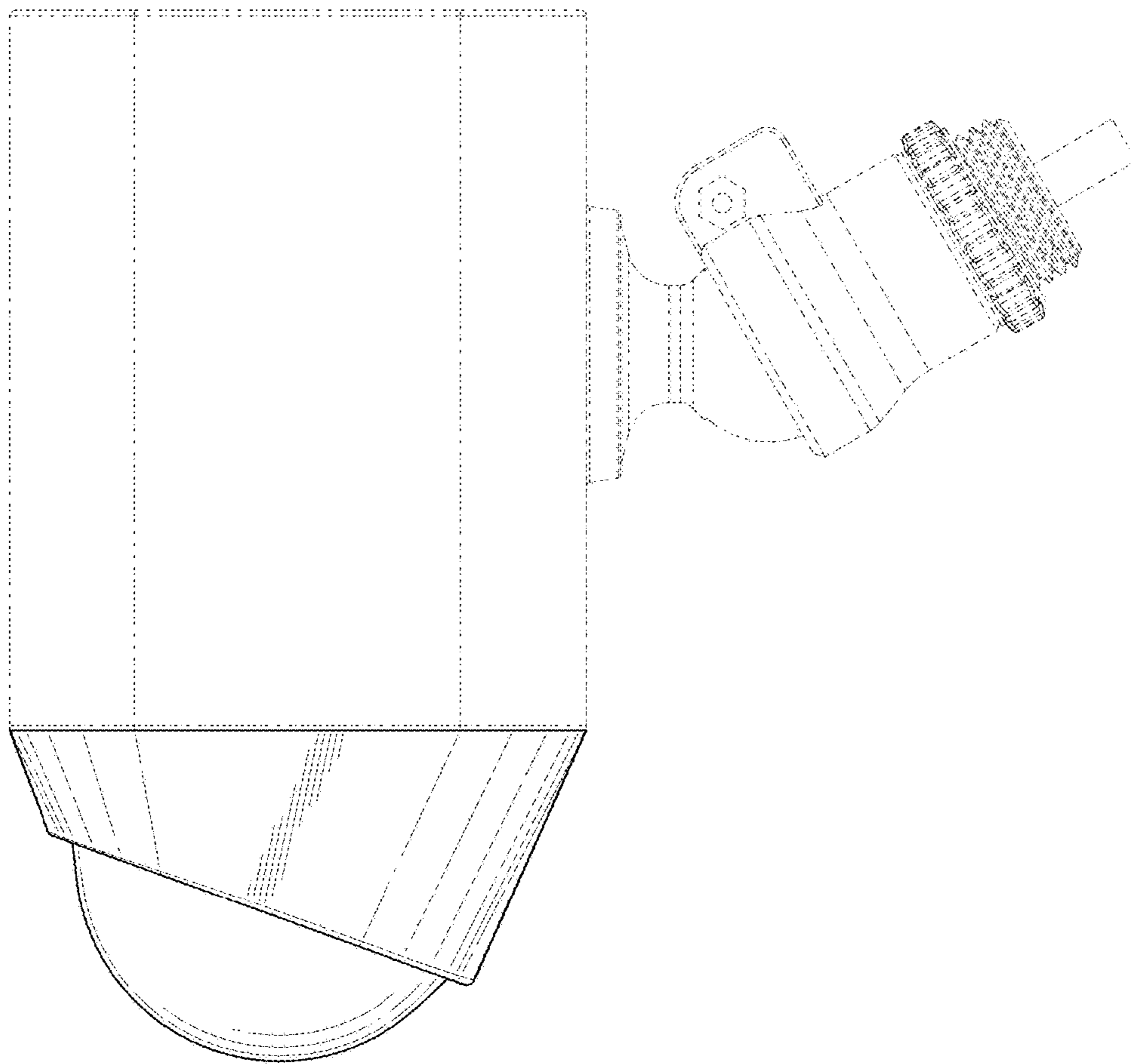


FIG. 4

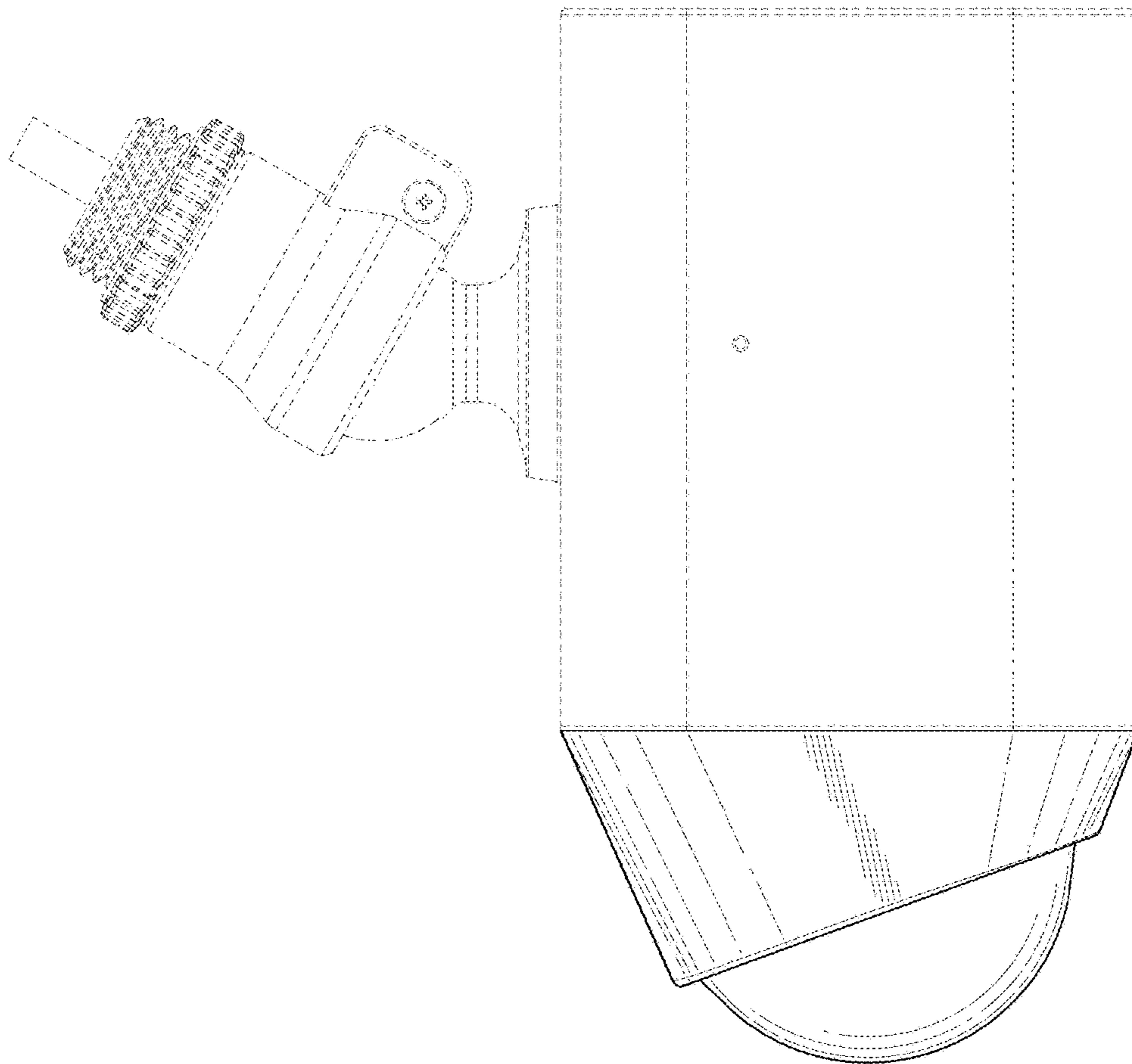


FIG. 5

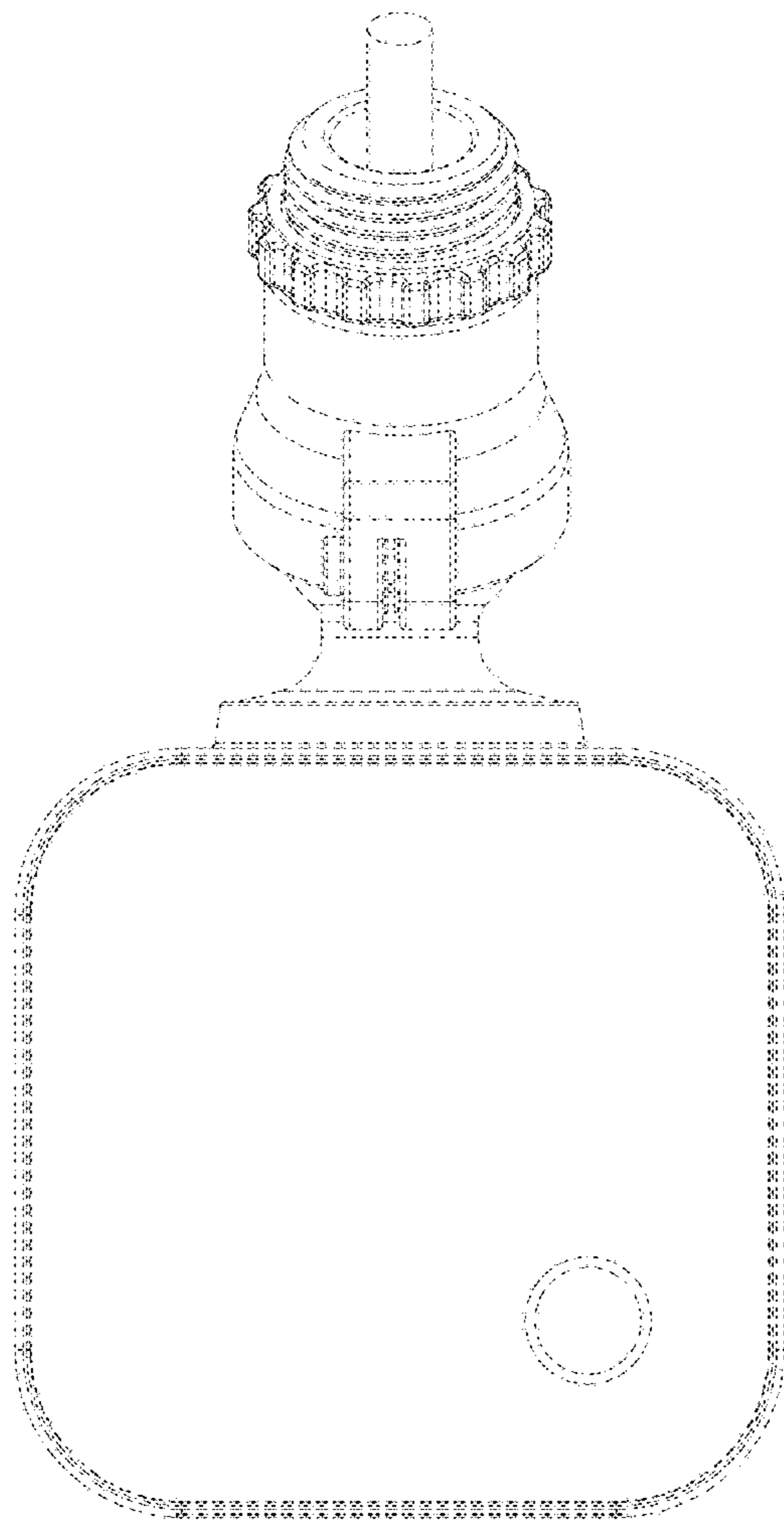


FIG. 6

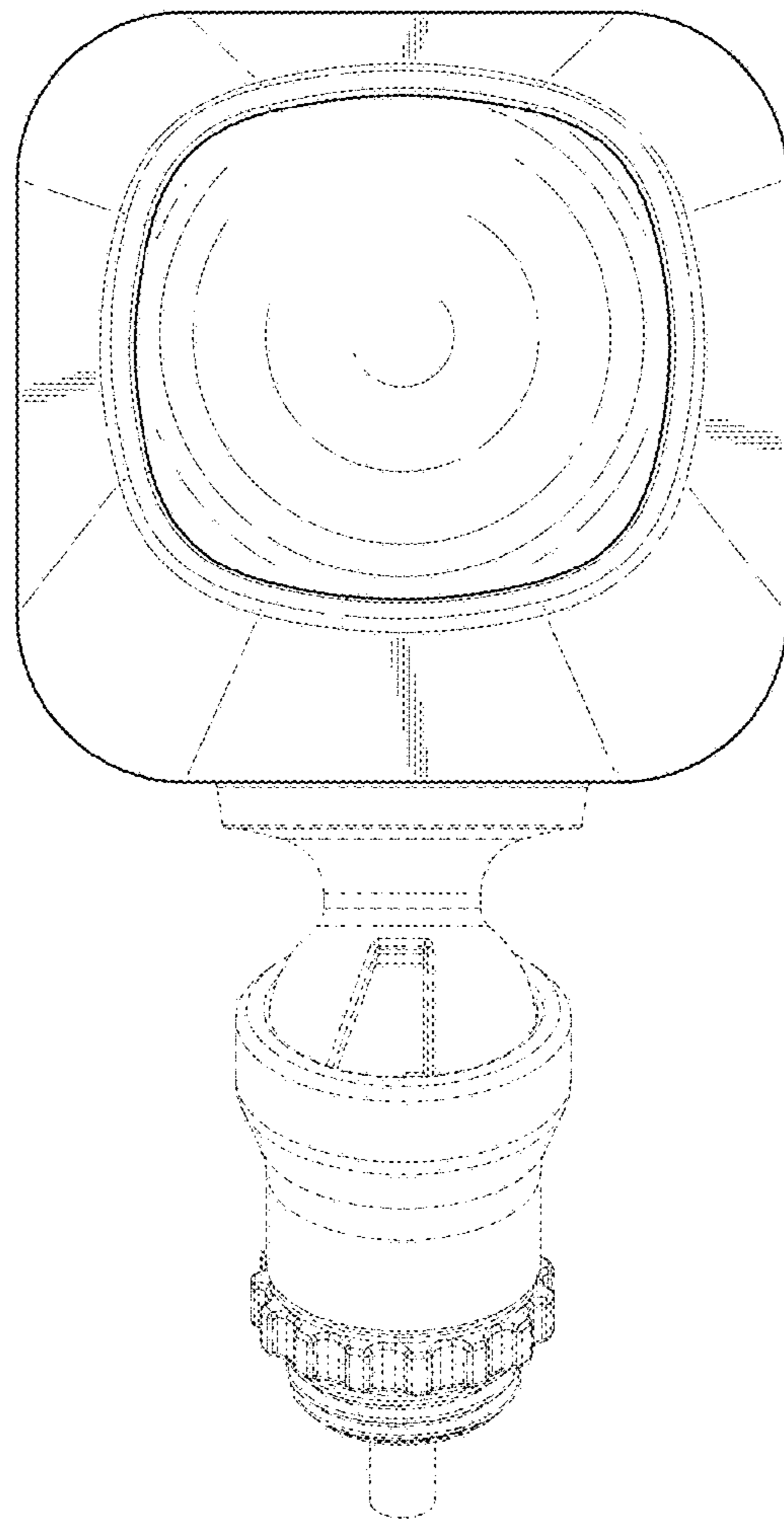


FIG. 7