



US00D838766S

(12) **United States Design Patent**
Tokiwa et al.

(10) **Patent No.:** **US D838,766 S**

(45) **Date of Patent:** **** *Jan. 22, 2019**

(54) **CAMERA LENS**

(71) Applicant: **FUJIFILM Corporation**, Tokyo (JP)

(72) Inventors: **Kentaro Tokiwa**, Saitama (JP);
Nobuyuki Kondo, Saitama (JP)

(73) Assignee: **FUJIFILM Corporation**, Minato-Ku,
Tokyo (JP)

(*) Notice: This patent is subject to a terminal disclaimer.

(**) Term: **15 Years**

(21) Appl. No.: **29/595,293**

(22) Filed: **Feb. 27, 2017**

(30) **Foreign Application Priority Data**

Aug. 31, 2016 (JP) 2016-018726

Aug. 31, 2016 (JP) 2016-018727

(51) **LOC (11) Cl.** **16-05**

(52) **U.S. Cl.**
USPC **D16/219**

(58) **Field of Classification Search**

USPC D16/200-220, 131, 250, 163; D8/16,
D8/373

CPC ... G02B 7/02; G02B 7/04; G02B 7/14; G02B
3/14; G03B 17/00; G03B 17/02; G03B
17/56; G03B 17/04; G03B 17/14; G03B
15/03; G03B 9/08; H04N 5/2251; H04N
5/2252; H04N 5/2253; H04N 5/2254;
H04N 7/00; H04N 2101/00; F16M 13/00

See application file for complete search history.

(56) **References Cited**

U.S. PATENT DOCUMENTS

5,262,899 A * 11/1993 Iizuka G02B 7/02
359/811

D390,857 S * 2/1998 Hayamizu D16/134

D440,997 S * 4/2001 Watanabe D16/134

D550,745 S * 9/2007 Watanabe D16/134
D583,847 S * 12/2008 Watanabe D16/134
D665,837 S * 8/2012 Tainaka D16/134

(Continued)

OTHER PUBLICATIONS

Samyang Confirms Auto Focus Lenses Coming for Cannon and Nikon, published Sep. 30, 2016 [online], [retrieved Mar. 13, 2018] Available from Internet URL: <<https://petapixel.com/2016/09/30/samyang-confirms-autofocus-lenses-coming-canon-nikon/>>.*

(Continued)

Primary Examiner — Barbara Fox

Assistant Examiner — Mary C Ramirez

(74) *Attorney, Agent, or Firm* — Sughrue Mion, PLLC

(57) **CLAIM**

The ornamental design for a camera lens, as shown and described.

DESCRIPTION

FIG. 1 is a rear, right perspective view of a first embodiment of a camera lens showing our new design;

FIG. 2 is a front view thereof;

FIG. 3 is a rear view thereof;

FIG. 4 is a right side view thereof;

FIG. 5 is a left side view thereof;

FIG. 6 is a top view thereof;

FIG. 7 is a bottom view thereof;

FIG. 8 is a rear, right perspective view of a second embodiment of the camera lens showing our new design;

FIG. 9 is a front view thereof;

FIG. 10 is a rear view thereof;

FIG. 11 is a right side view thereof;

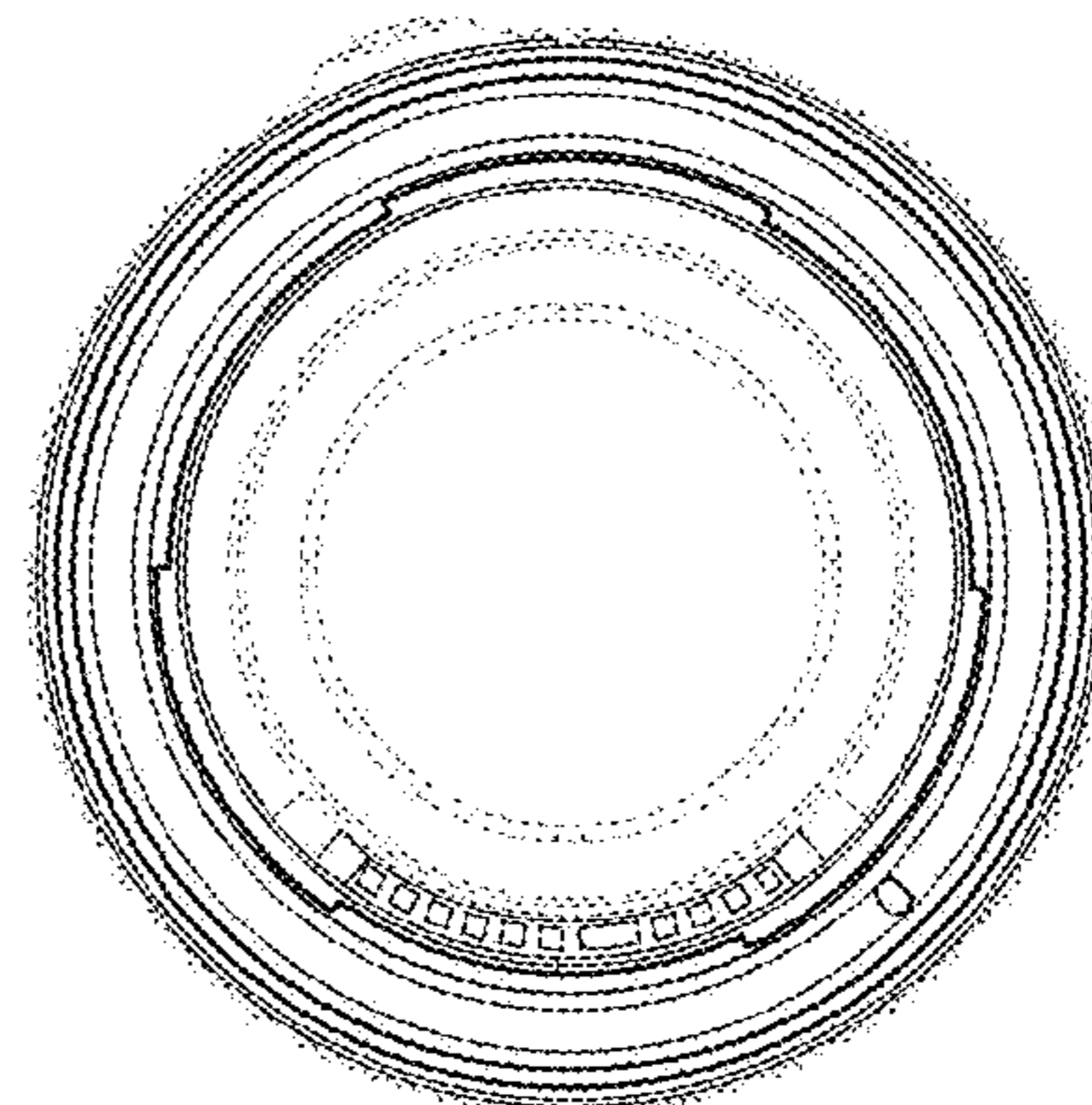
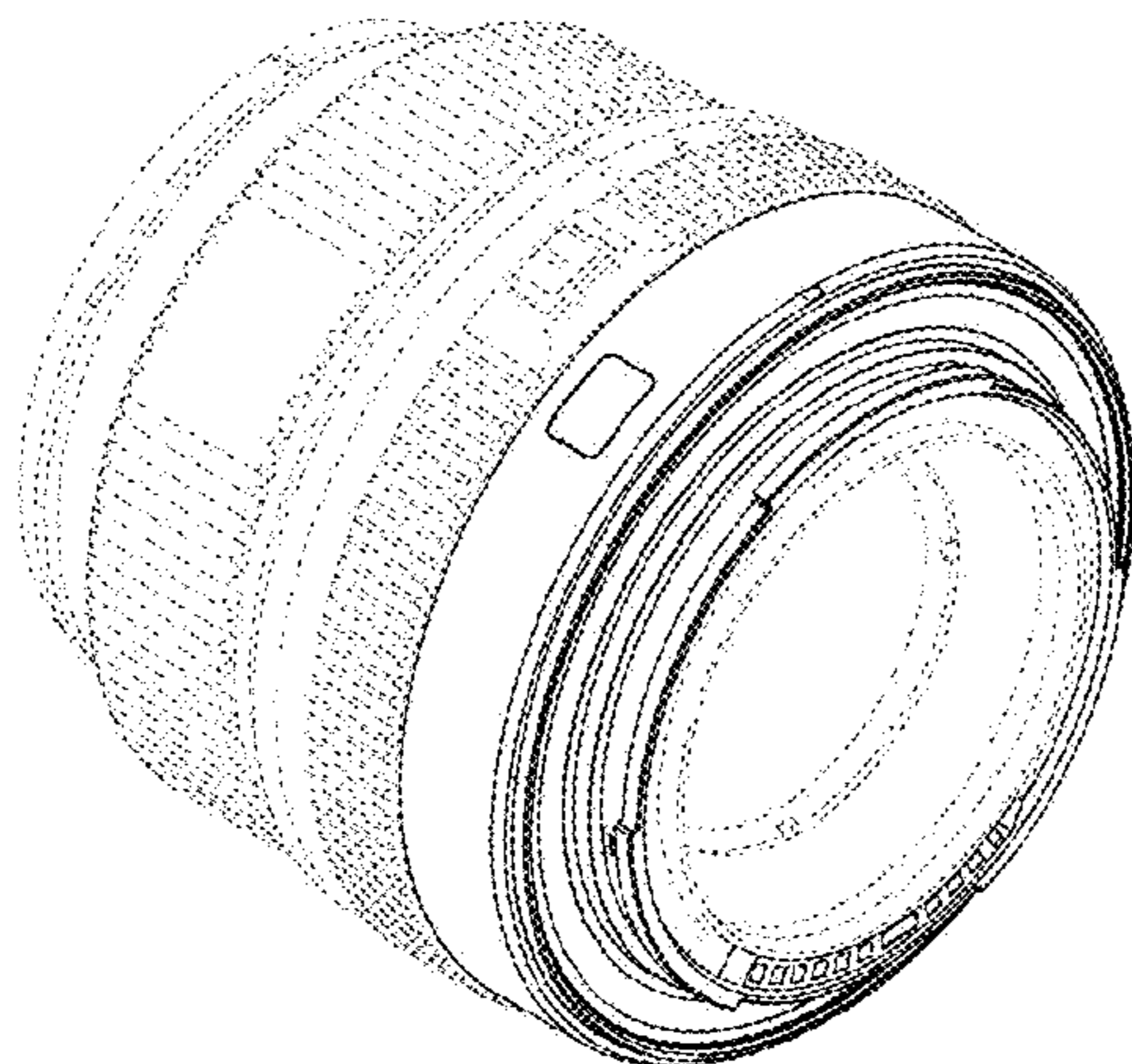
FIG. 12 is a left side view thereof;

FIG. 13 is a top view thereof; and,

FIG. 14 is a bottom view thereof.

The broken lines shown in the drawings depict portions of the camera lens that form no part of the claimed design.

1 Claim, 14 Drawing Sheets



(56)

References Cited

U.S. PATENT DOCUMENTS

D670,751 S * 11/2012 Koyama D16/134
 D688,292 S * 8/2013 Koyama D16/219
 D698,842 S * 2/2014 Hasuda D16/219
 D698,843 S * 2/2014 Hasuda D16/219
 D698,844 S * 2/2014 Hasuda D16/219
 D699,773 S * 2/2014 Hasuda D16/134
 D705,335 S * 5/2014 Oikawa D16/134
 D706,326 S * 6/2014 Hasuda D16/134
 D706,853 S * 6/2014 Hasuda D16/219
 D718,361 S * 11/2014 Noh D16/219
 D721,117 S * 1/2015 Hasuda D16/219
 D721,120 S * 1/2015 Oh D16/219
 D726,239 S * 4/2015 So D16/219
 D727,989 S * 4/2015 Hasuda D16/134
 D727,994 S * 4/2015 Hasuda D16/219
 D729,862 S * 5/2015 Awazu D16/219
 D731,577 S * 6/2015 Hasuda D16/219
 D732,102 S * 6/2015 Hasuda D16/219
 D741,937 S * 10/2015 Park D16/219
 D741,938 S * 10/2015 Lee D16/219
 D745,591 S * 12/2015 Oh D16/136
 D750,152 S * 2/2016 Awazu D16/219
 D776,742 S * 1/2017 Awazu D16/219
 D780,822 S * 3/2017 Awazu D16/219
 D822,751 S * 7/2018 Kim D16/219
 2013/0265662 A1 * 10/2013 Araie G02B 7/02
 359/827

2014/0111686 A1* 4/2014 Iikawa G03B 17/14
 348/374
 2014/0119721 A1* 5/2014 Iikawa G03B 17/14
 396/531
 2014/0168798 A1* 6/2014 Ejima G03B 43/00
 359/822

OTHER PUBLICATIONS

Samyang Unveils a 35mm f1.4 FE AF Lens for Sony Full Frame Mirrorless, published Oct. 10, 2017 [online], [retrieved Mar. 13, 2018] Available from Internet URL: <<https://petapixel.com/2017/10/10/samyang-announces-35mm-f1-4-fe-lens-mirrorless-cameras/>>.*
 Samyang Unveils Tiny, Affordable 35mm f2.8 Autofocus Lens for Sony, published Jun. 5, 2017 [online], [retrieved Mar. 13, 2018] Available from Internet URL: <<https://petapixel.com/2017/06/05/samyang-unveils-tiny-affordable-35mm-f2-8-autofocus-lens-sony/>>.*
 Notice of Reasons for Rejection for JP Design No. 2016-018726 dated Jan. 31, 2017.
 Notice of Reasons for Rejection for JP Design No. 2016-018727 dated Jan. 31, 2017.
 “Canon EF Lens”, Domestic Catalogue File No. 207, Feb. 2007, p. 16, published by Canon Inc.
 “Canon EF Lens”, Domestic Catalogue File No. 207, Feb. 2007, p. 17, published by Canon Inc.

* cited by examiner

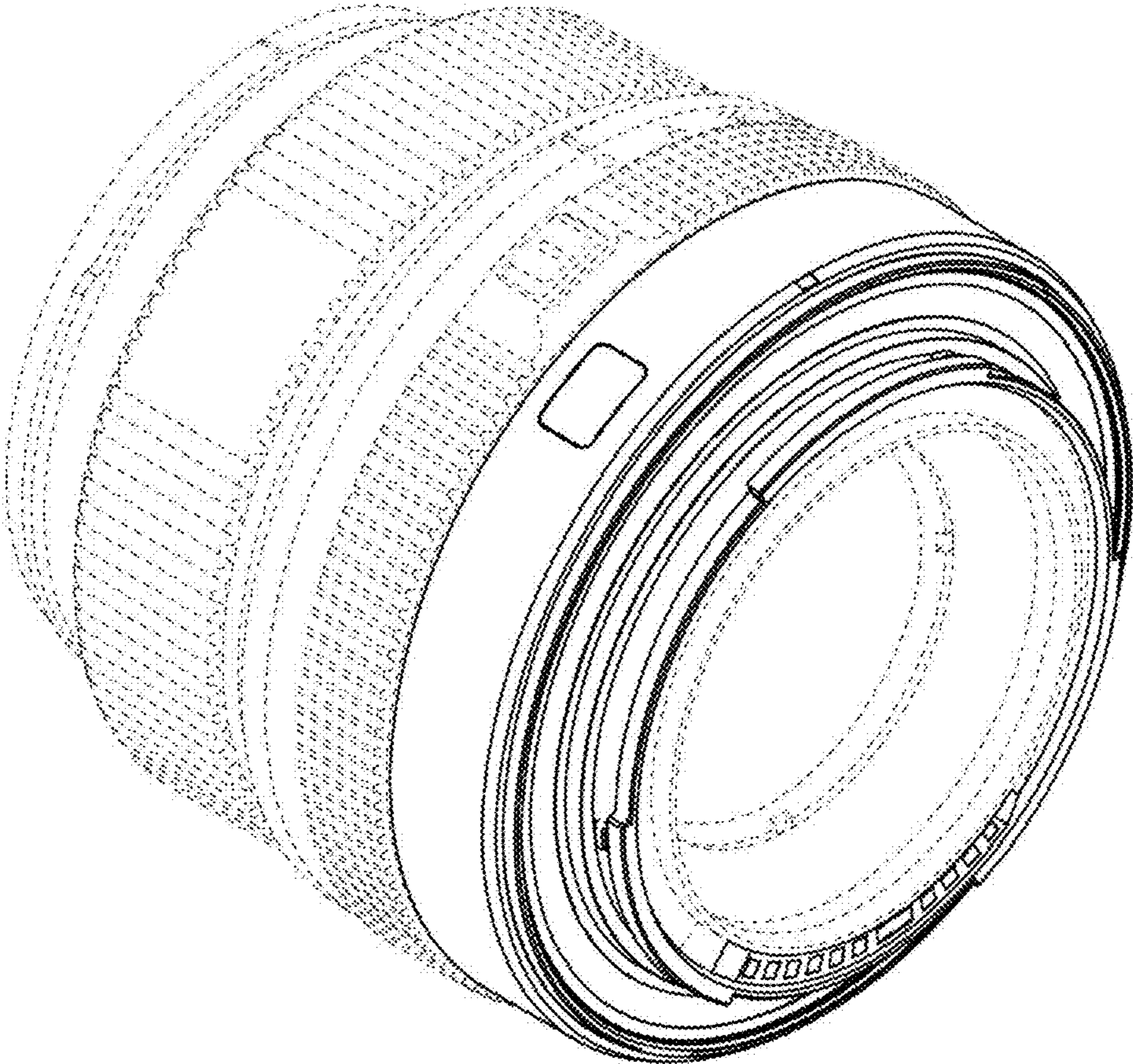


FIG. 1

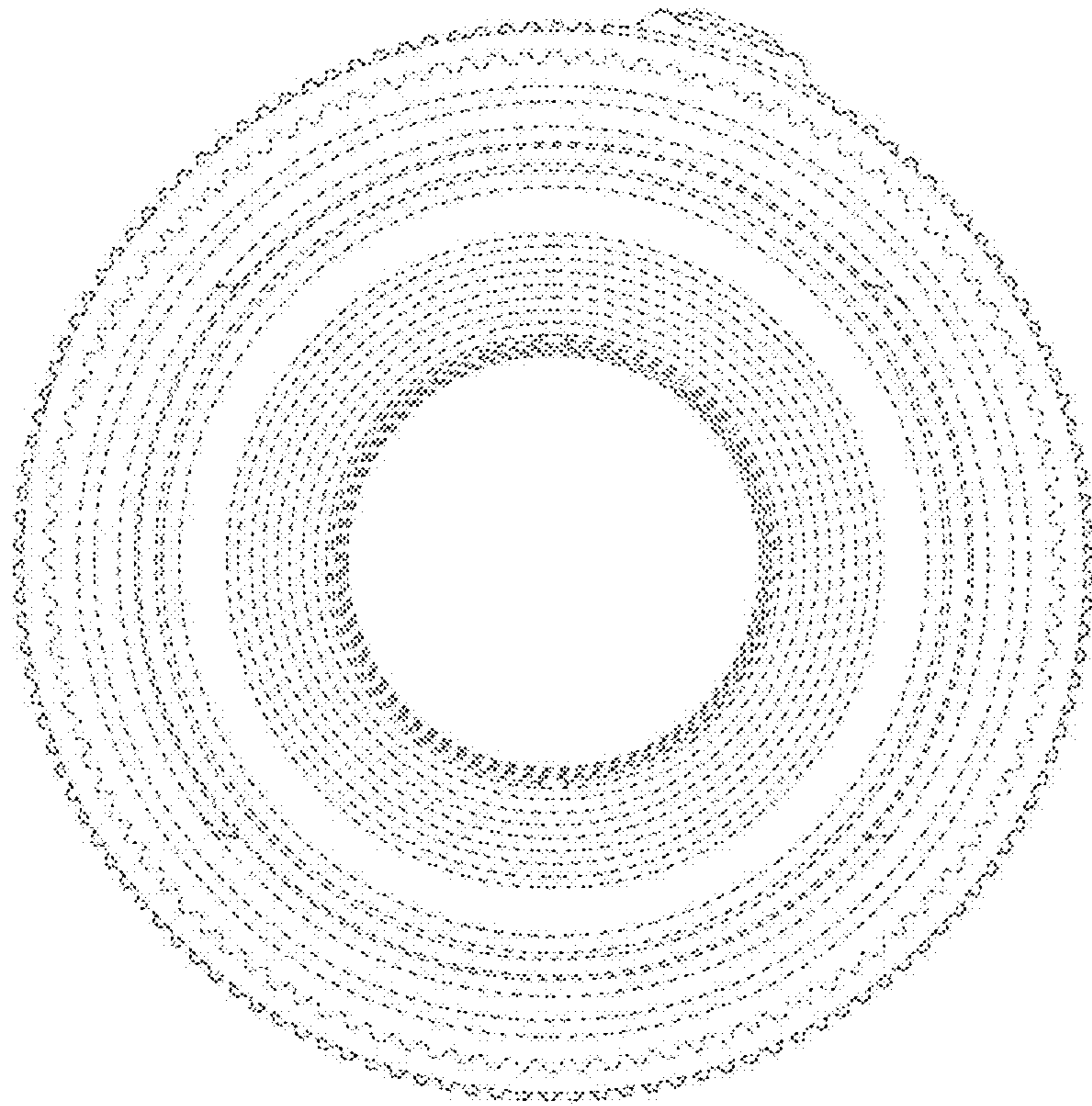


FIG. 2

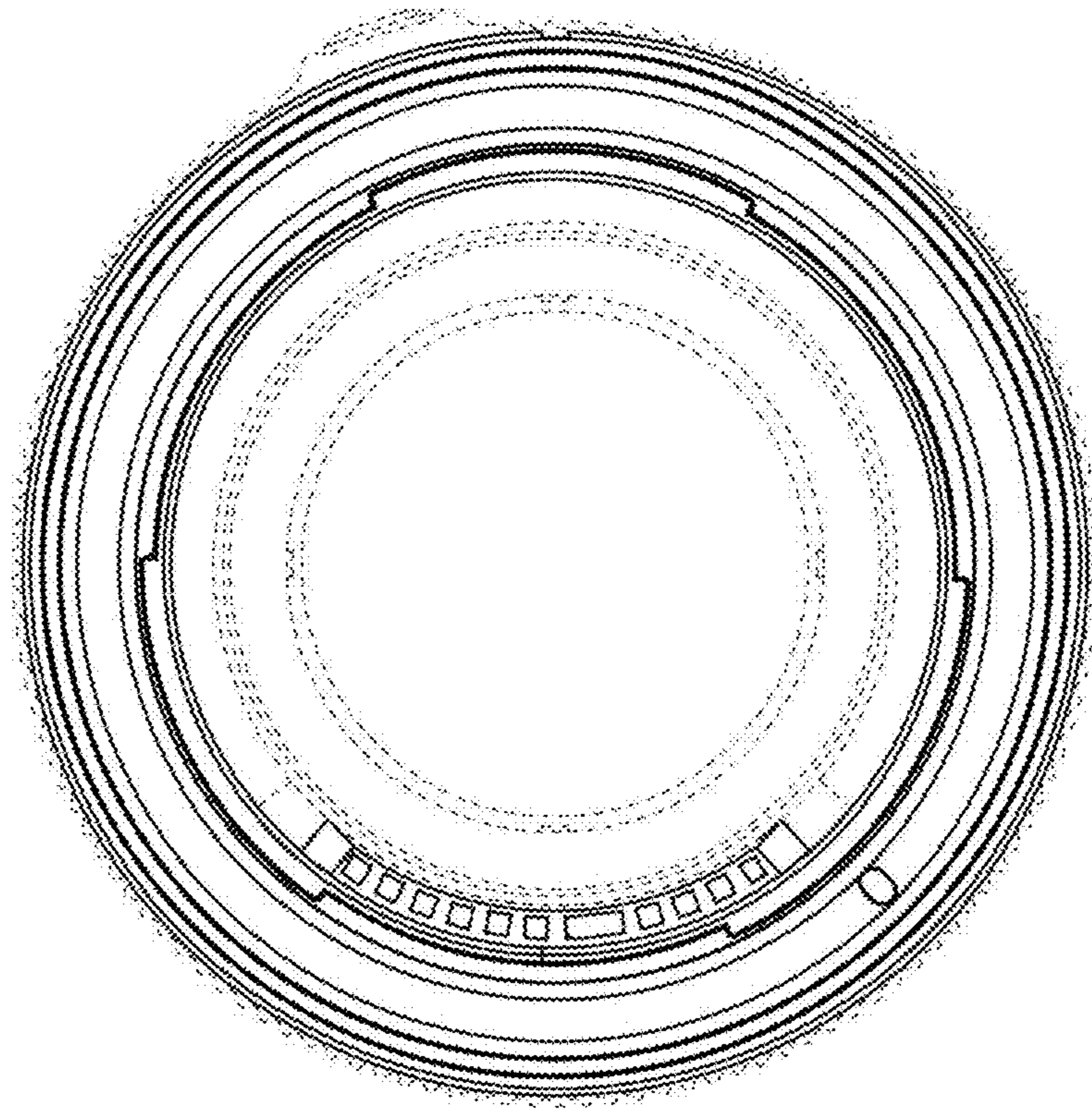


FIG. 3

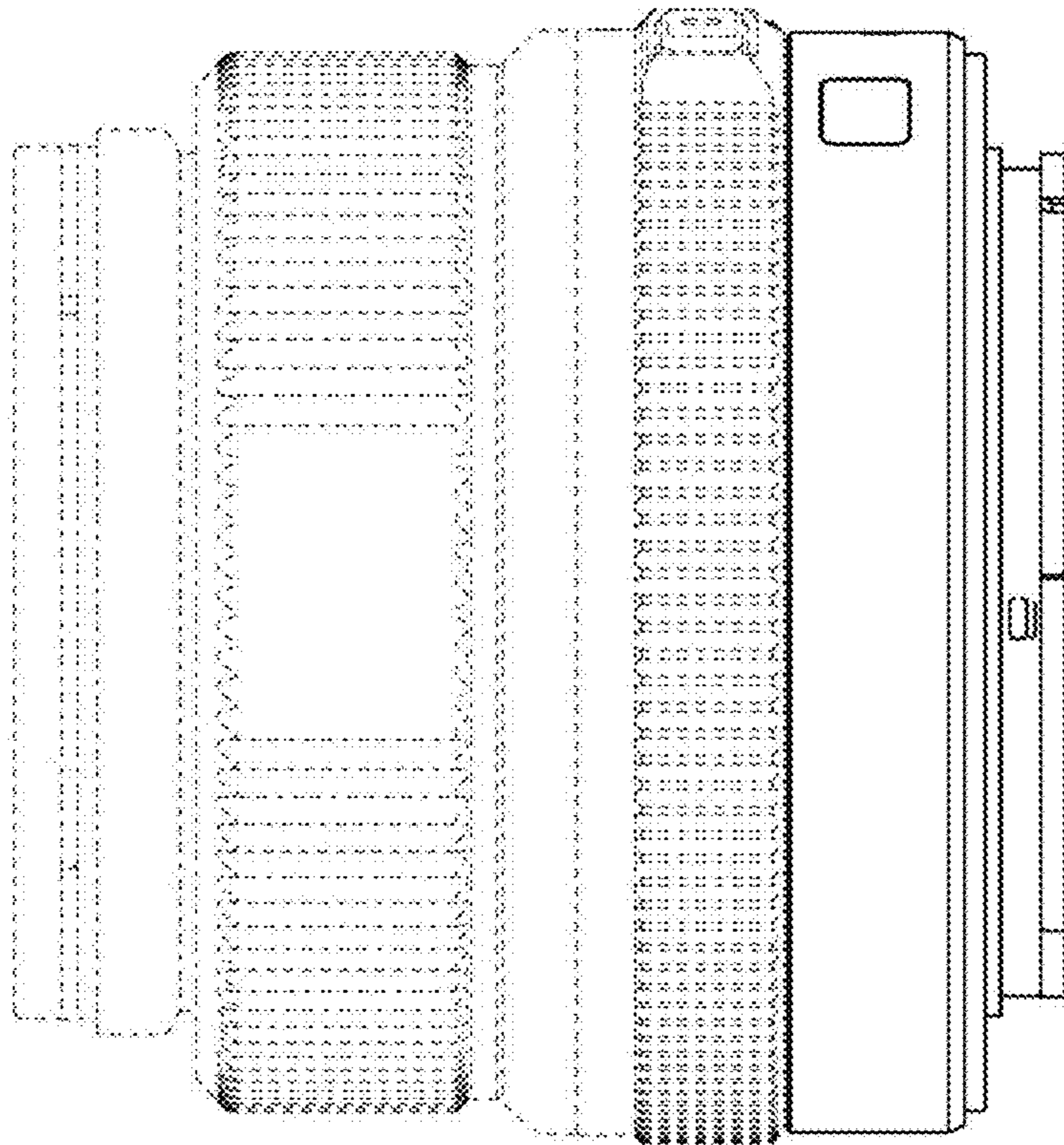


FIG. 4

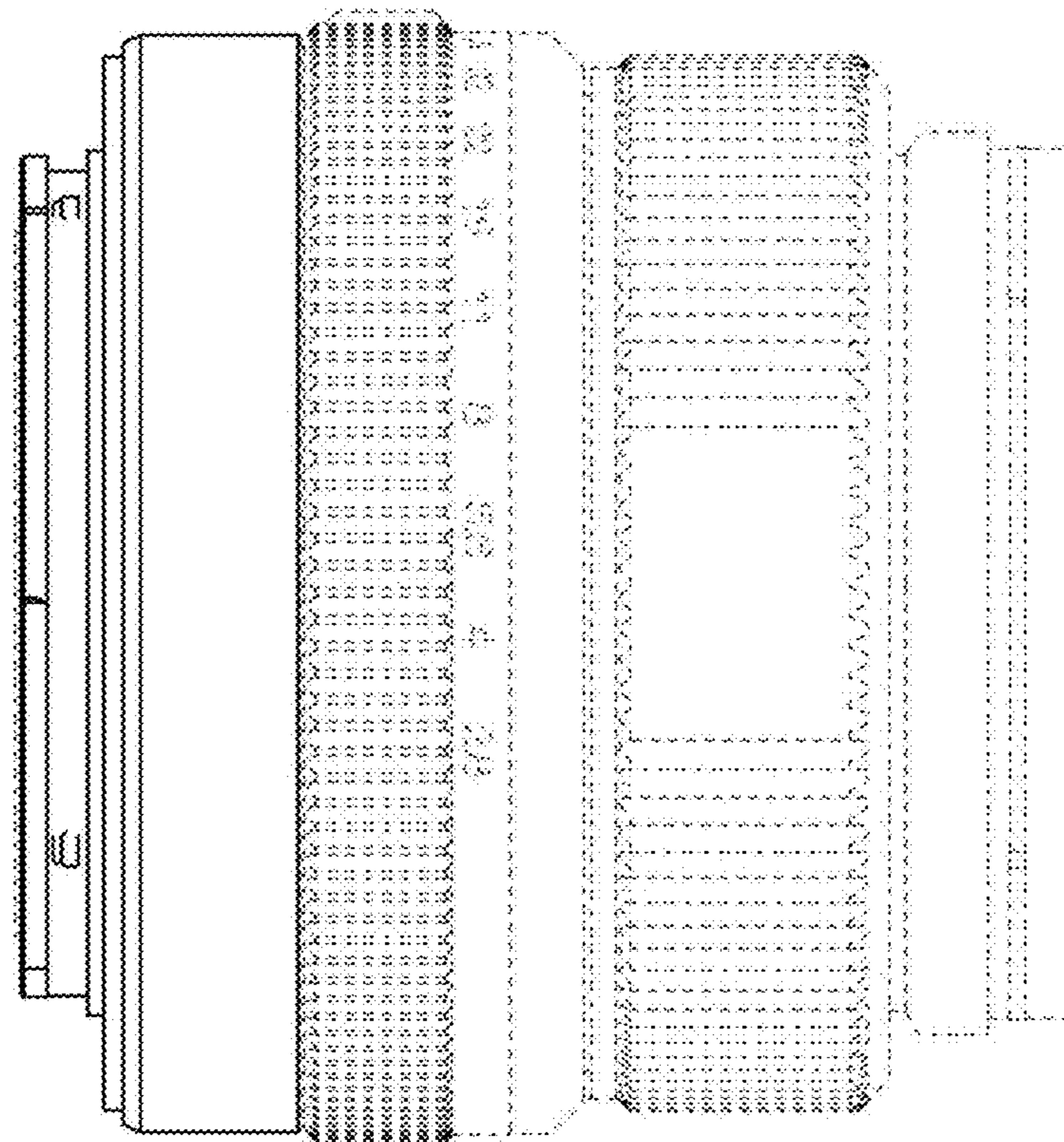


FIG. 5

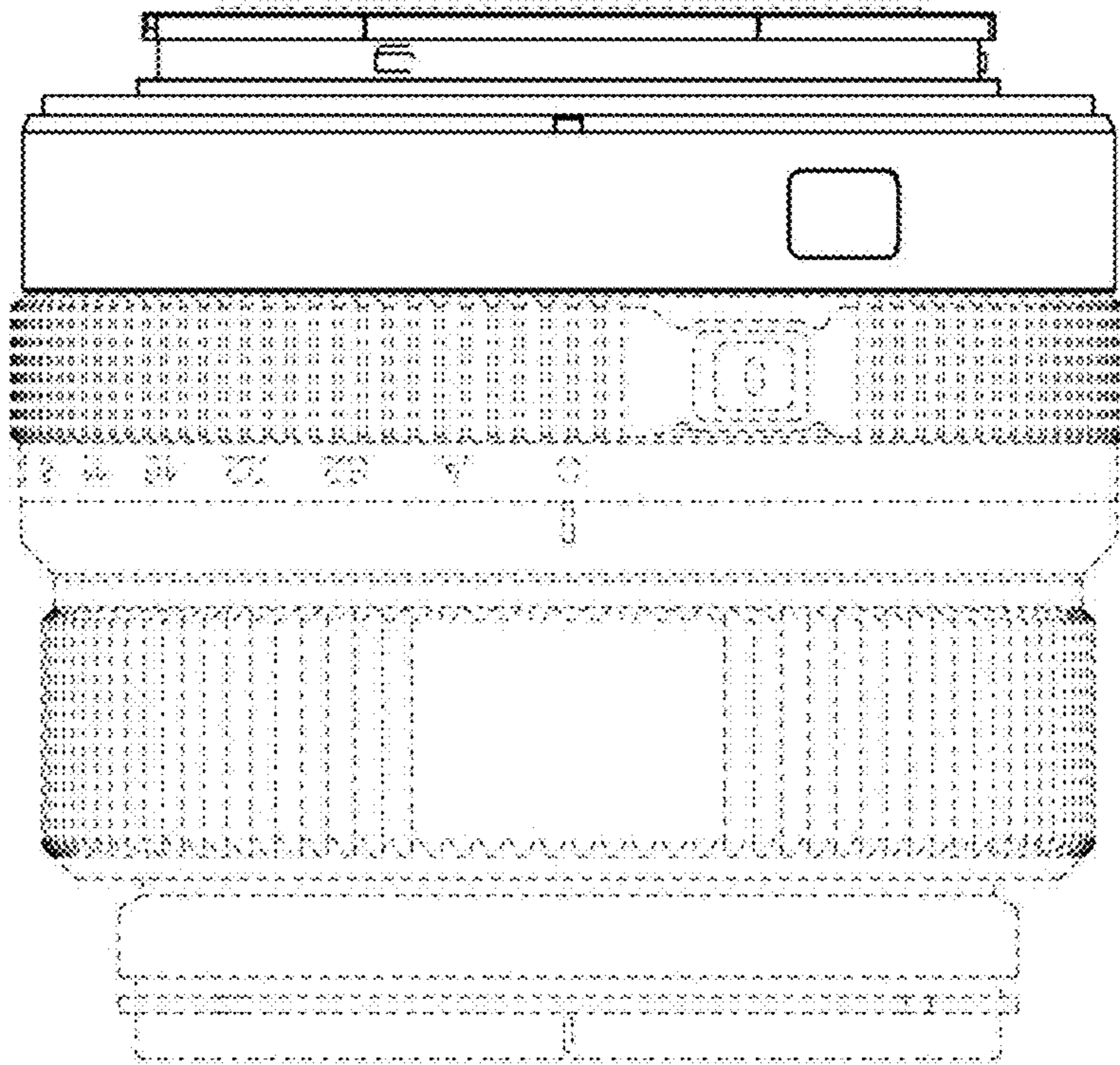


FIG. 6

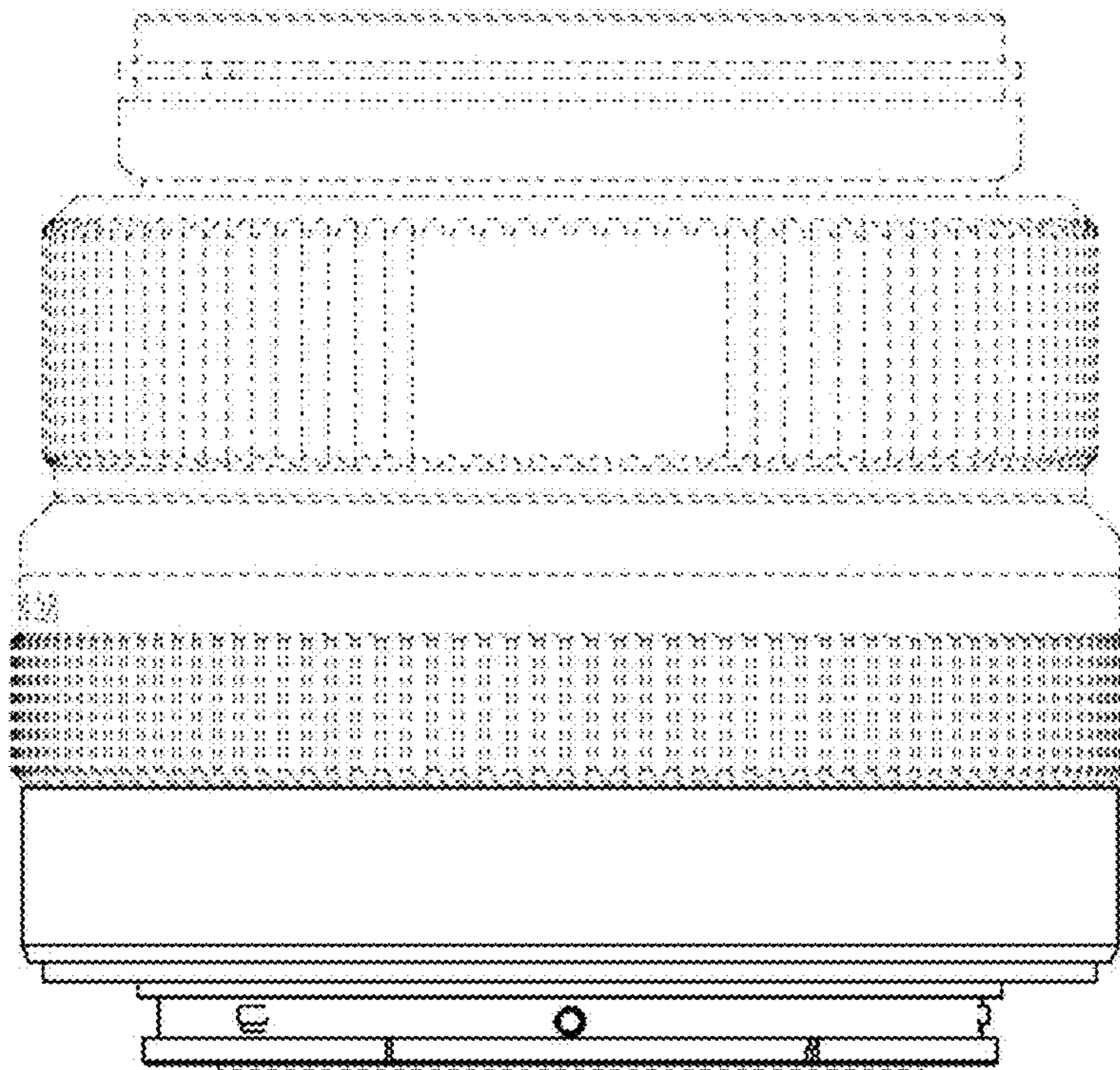


FIG. 7

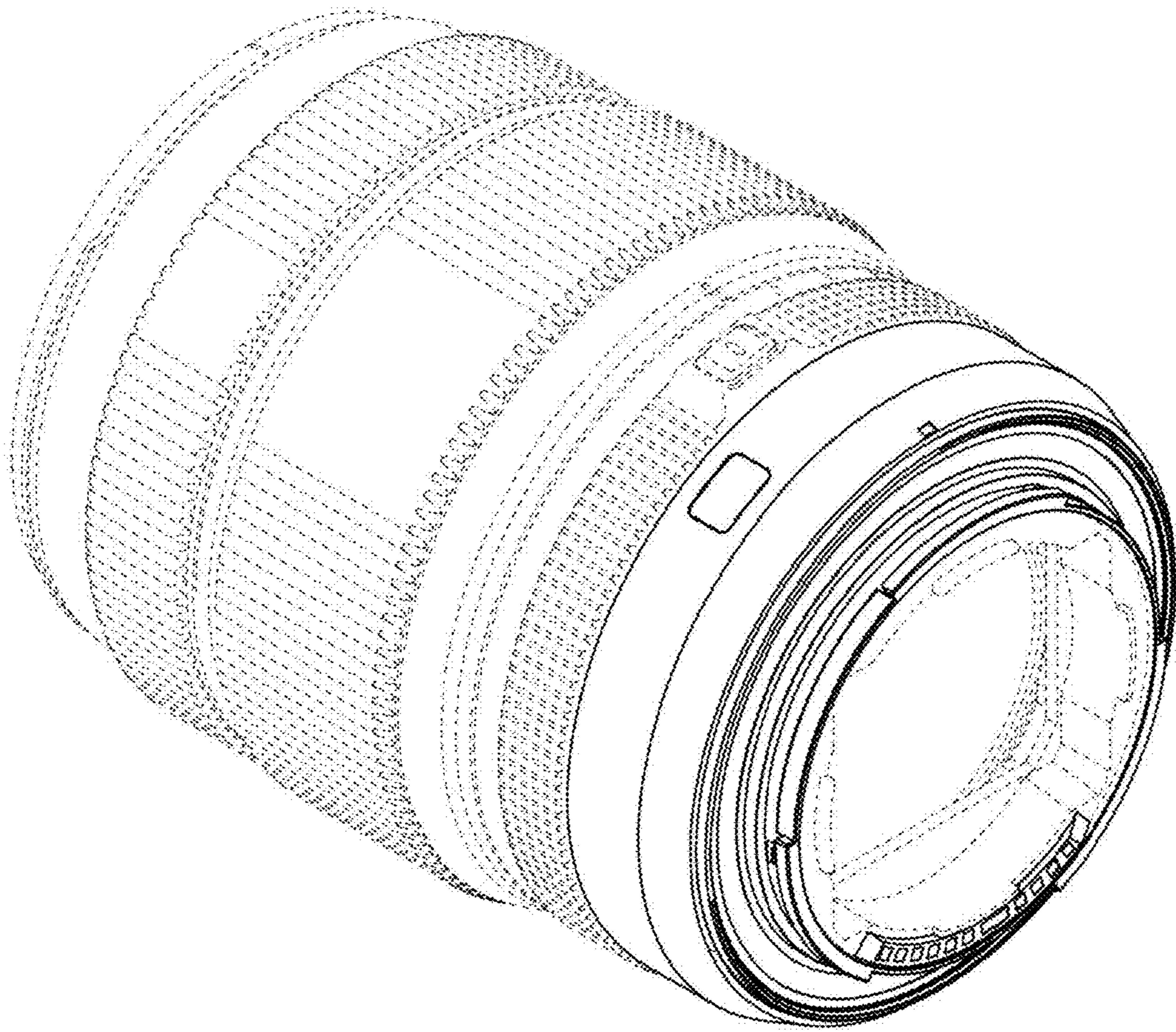


FIG. 8

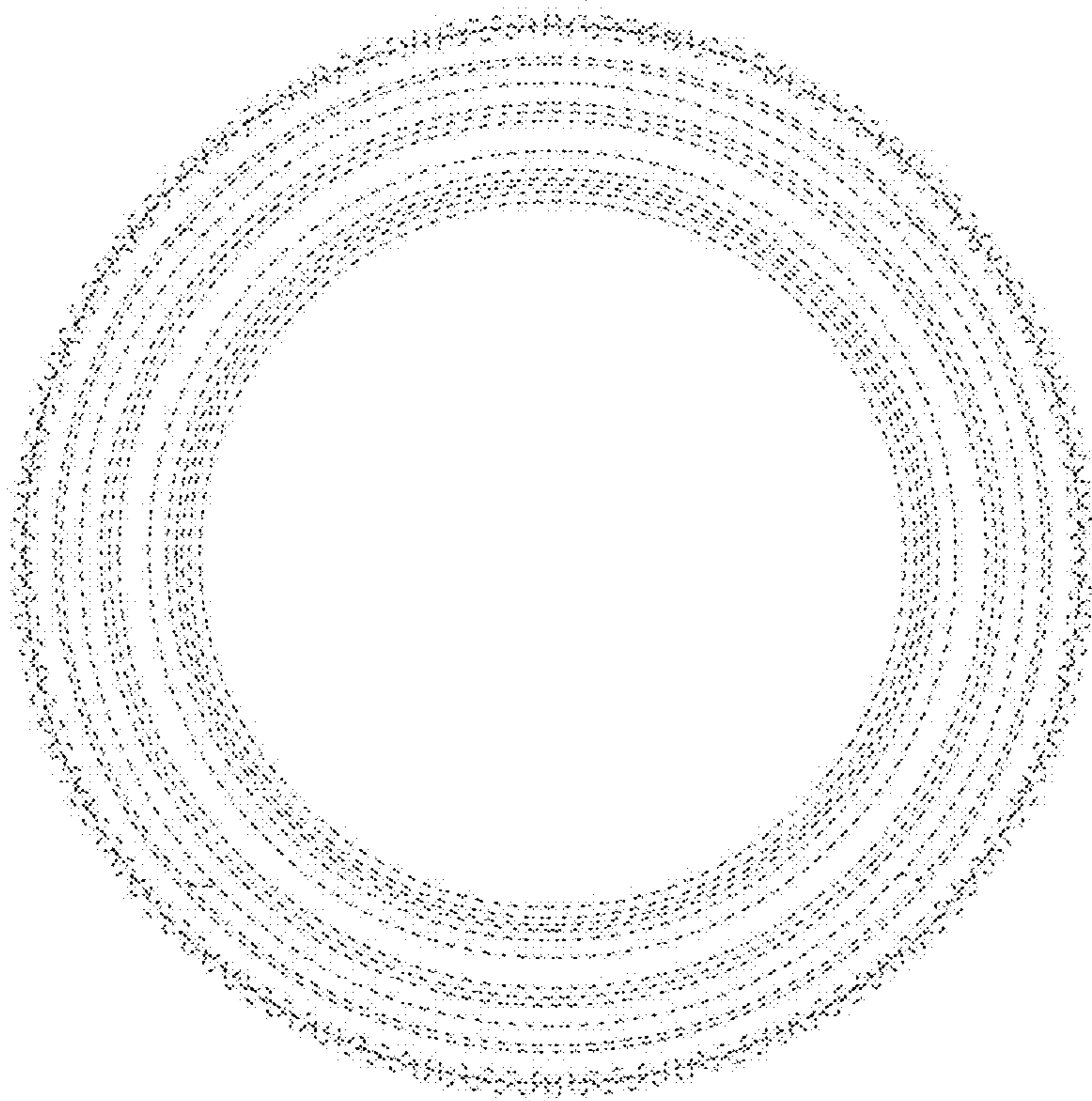


FIG. 9

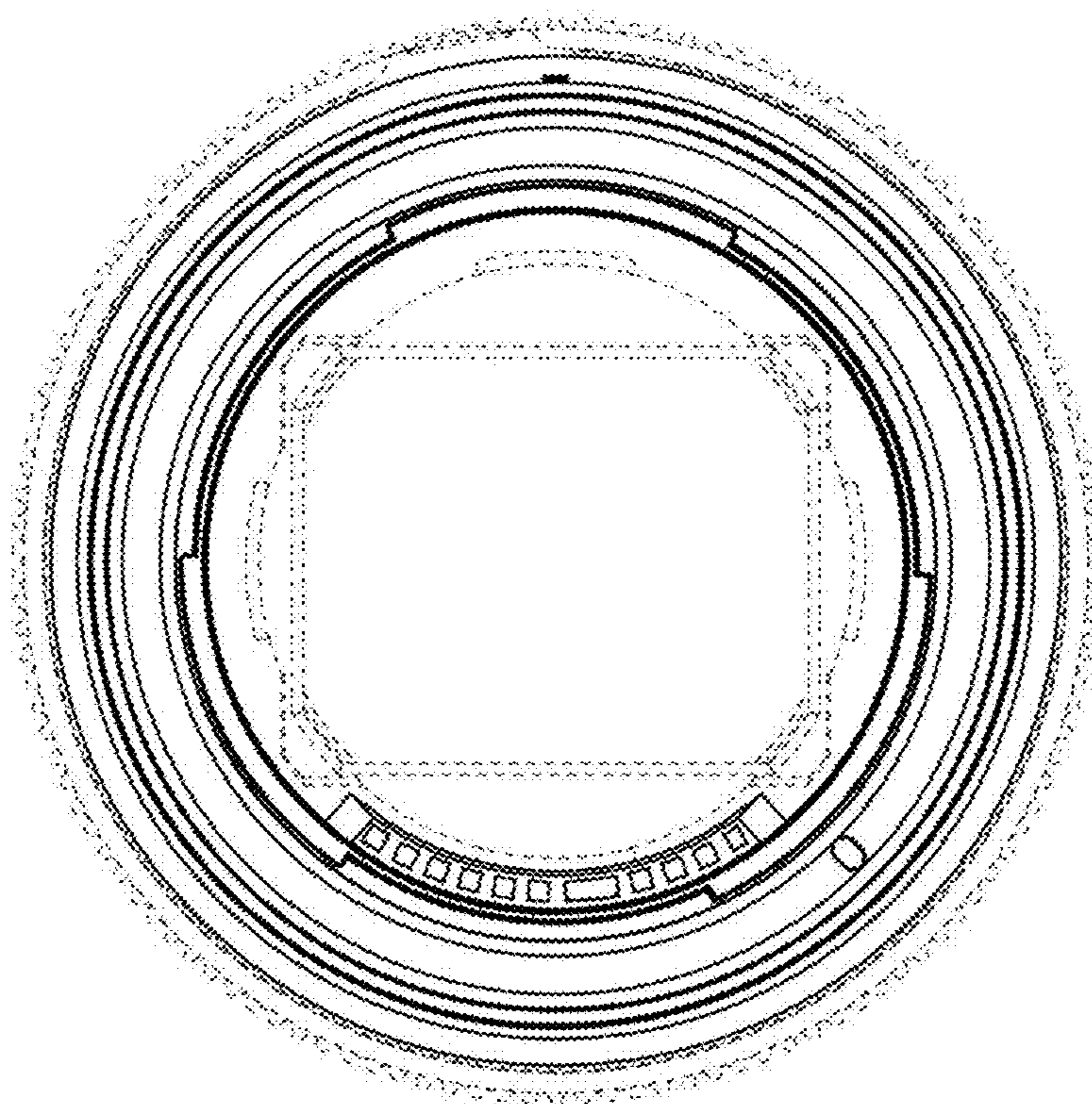


FIG. 10

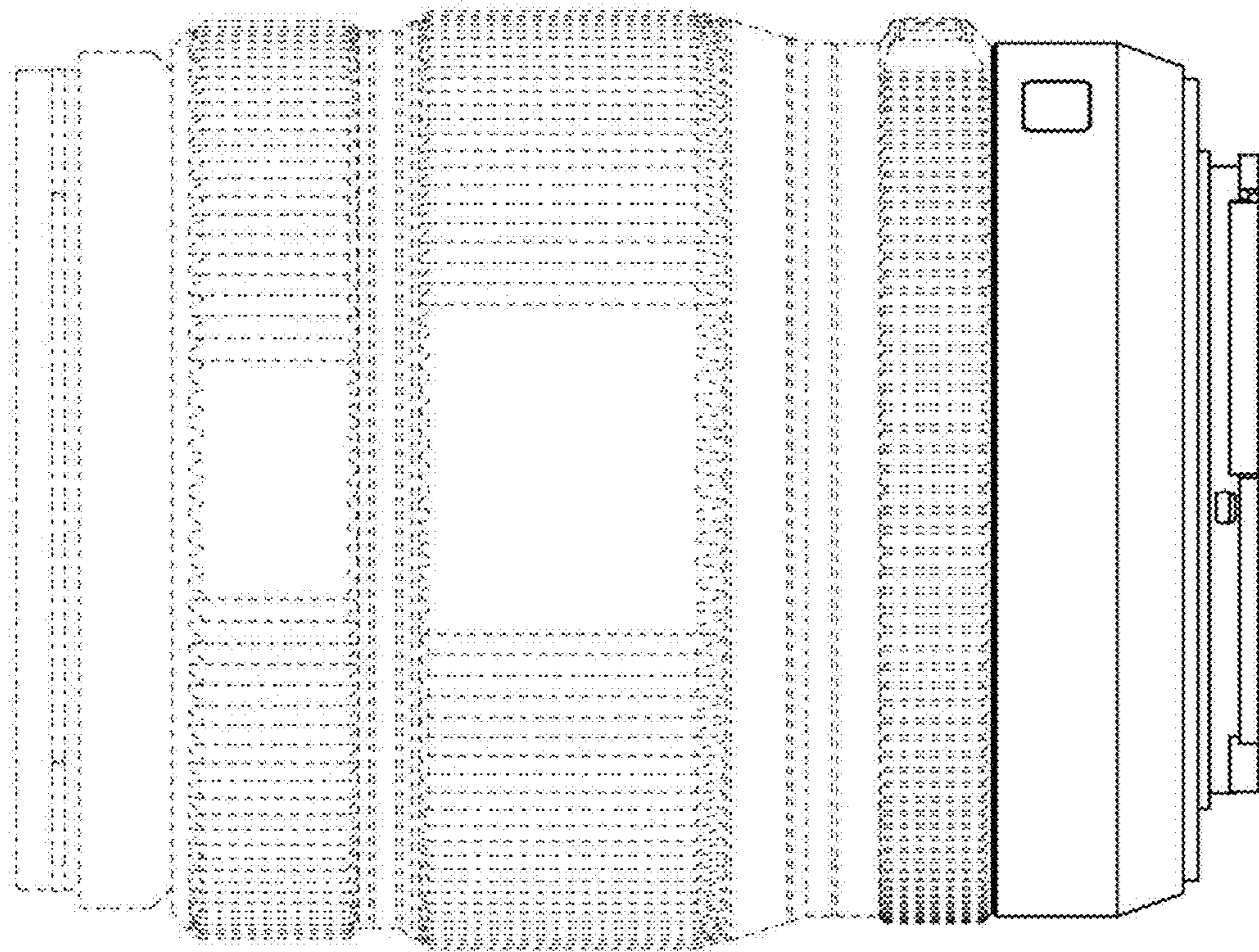


FIG. 11

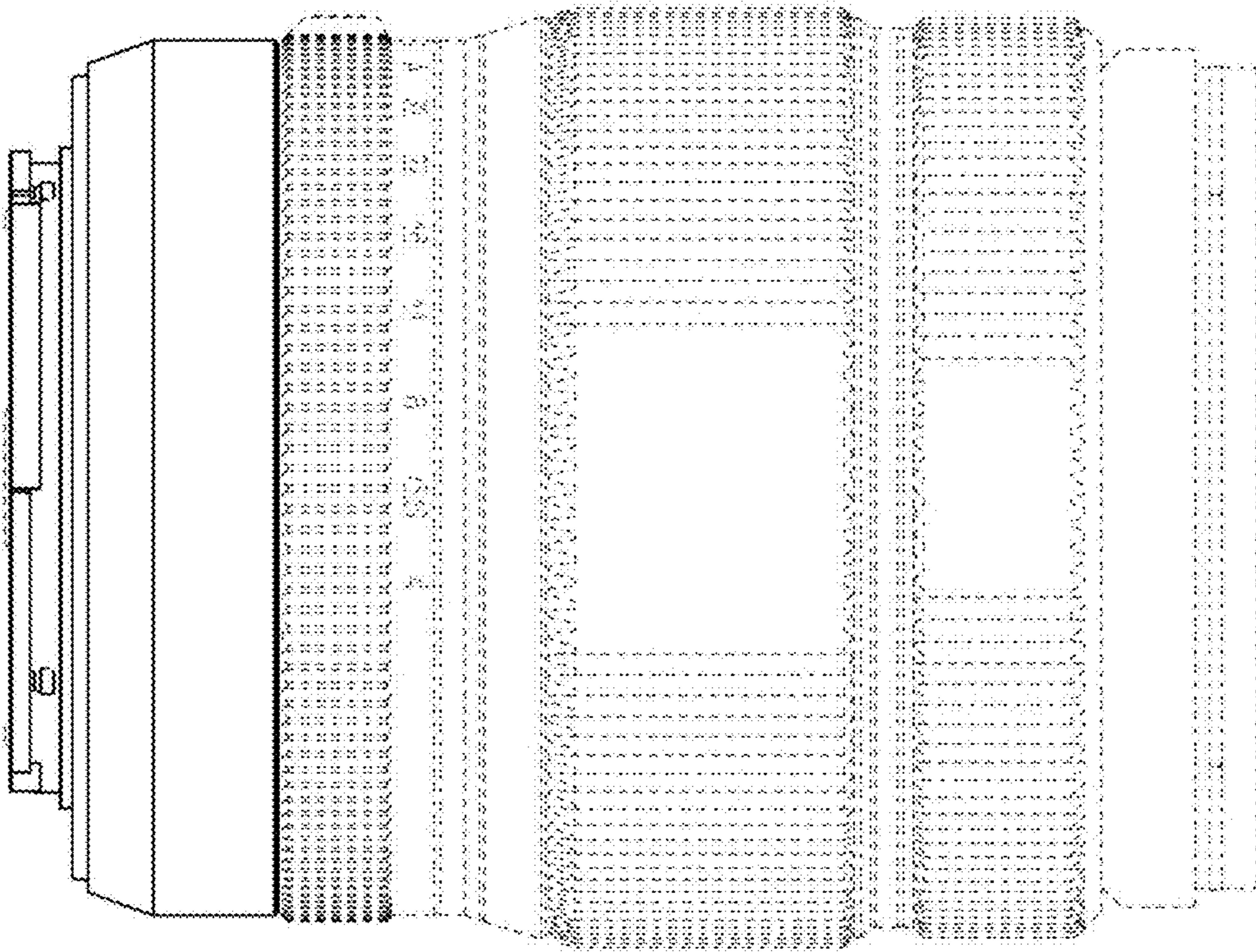


FIG. 12

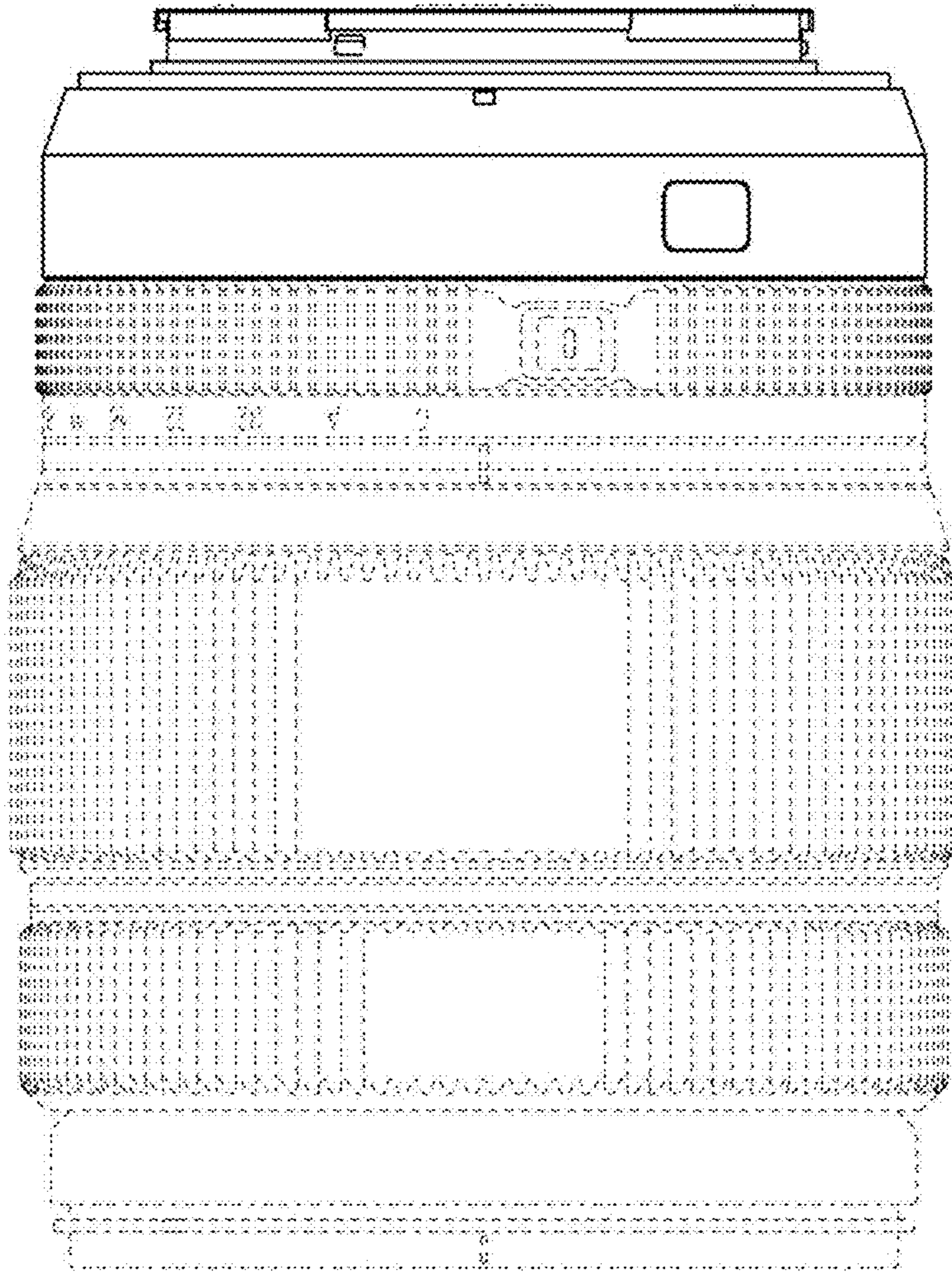


FIG. 13

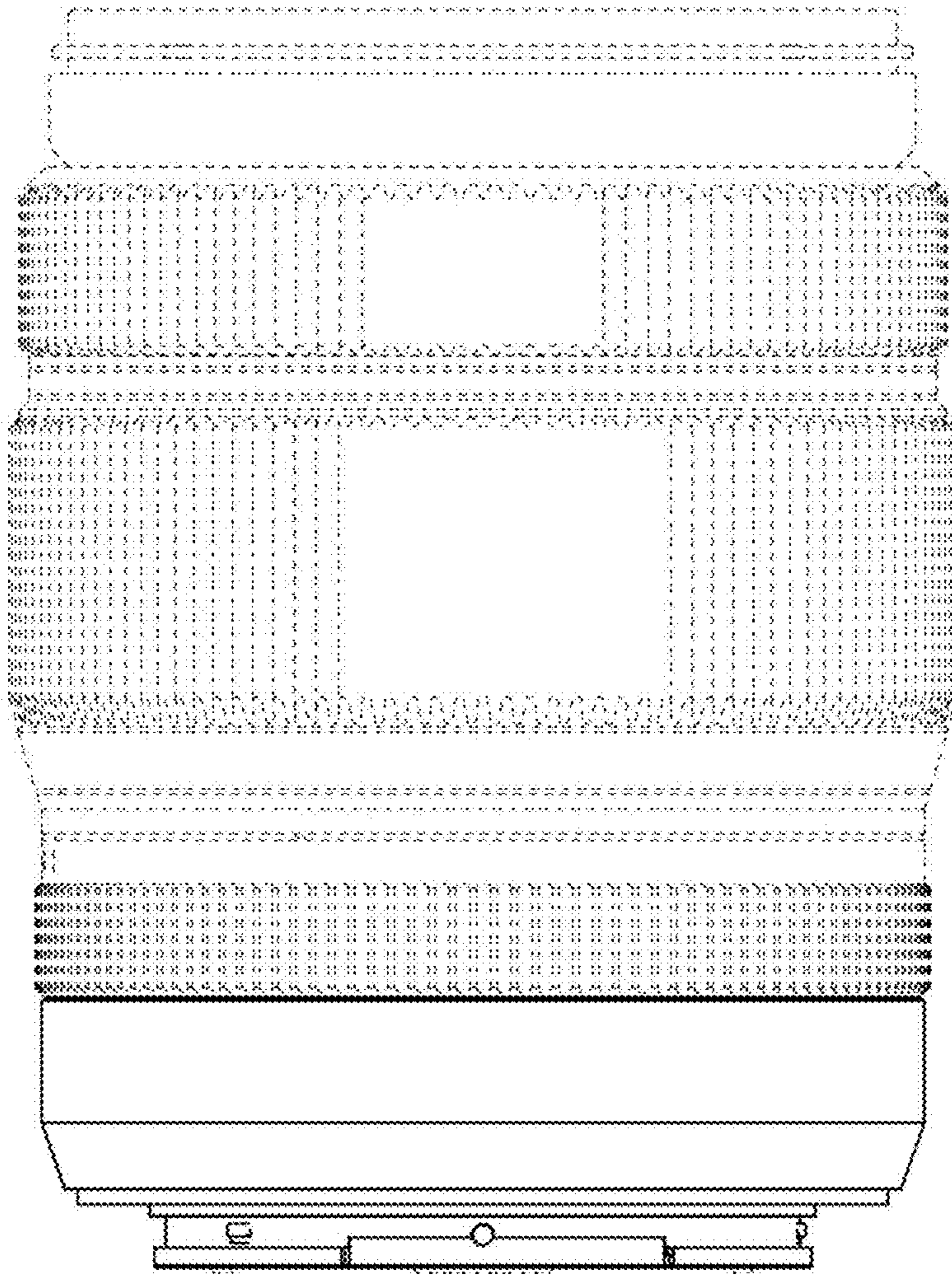


FIG. 14