

US00D838764S

(12) **United States Design Patent**
Imai

(10) **Patent No.:** **US D838,764 S**
(45) **Date of Patent:** **** Jan. 22, 2019**

(54) **DIGITAL CAMERA**

(71) Applicant: **FUJIFILM Corporation**, Tokyo (JP)

(72) Inventor: **Masazumi Imai**, Saitama (JP)

(73) Assignee: **FUJIFILM Corporation**, Minato-Ku,
Tokyo (JP)

(**) Term: **15 Years**

(21) Appl. No.: **29/595,263**

(22) Filed: **Feb. 27, 2017**

(30) **Foreign Application Priority Data**

Aug. 31, 2016 (JP) 2016-018675

(51) **LOC (11) Cl.** **16-05**

(52) **U.S. Cl.**
USPC **D16/219**

(58) **Field of Classification Search**

USPC D16/200-220, 131
CPC ... G02B 7/02; G02B 7/04; G02B 7/14; G02B
3/14; G03B 17/00; G03B 17/02; G03B
17/56; G03B 17/04; G03B 17/14; G03B
15/03; G03B 9/08; H04N 5/2251; H04N
5/2252; H04N 5/2253; H04N 5/2254;
H04N 7/00; H04N 2101/00; F16M 13/00
See application file for complete search history.

(56) **References Cited**

U.S. PATENT DOCUMENTS

D162,630 S * 3/1951 Crapsey, Jr. D16/218
D266,332 S * 9/1982 Schultes D16/217
D270,450 S * 9/1983 Kato D16/217
D273,498 S * 4/1984 Arnott D16/209
D408,040 S * 4/1999 Miyahara D16/202
D416,271 S * 11/1999 Ikenaga D16/202
D422,613 S * 4/2000 Nagaoka D16/209
D444,163 S * 6/2001 Yoshida D16/202

D466,914 S * 12/2002 Kumakura D16/202
D484,904 S * 1/2004 Naitou D16/202
D487,105 S * 2/2004 Takahashi D16/202
D491,593 S * 6/2004 Haga D16/202
D500,068 S * 12/2004 Hayashi D16/202
D505,438 S * 5/2005 Kojima D16/202
D514,149 S * 1/2006 Naito D16/202
D532,031 S * 11/2006 Hayashi D16/218
D557,308 S * 12/2007 Matsuda D16/202
D647,552 S * 10/2011 Ogasawara D16/202
D669,513 S * 10/2012 Kim D16/202
D698,839 S * 2/2014 Sato D16/200
D727,990 S * 4/2015 Sakai D16/202
D738,418 S * 9/2015 Imai D16/202
D749,659 S * 2/2016 Kamei D16/202
D777,233 S * 1/2017 Sakai D16/202

(Continued)

Primary Examiner — Barbara Fox

Assistant Examiner — Mary C Ramirez

(74) *Attorney, Agent, or Firm* — Sughrue Mion, PLLC

(57) **CLAIM**

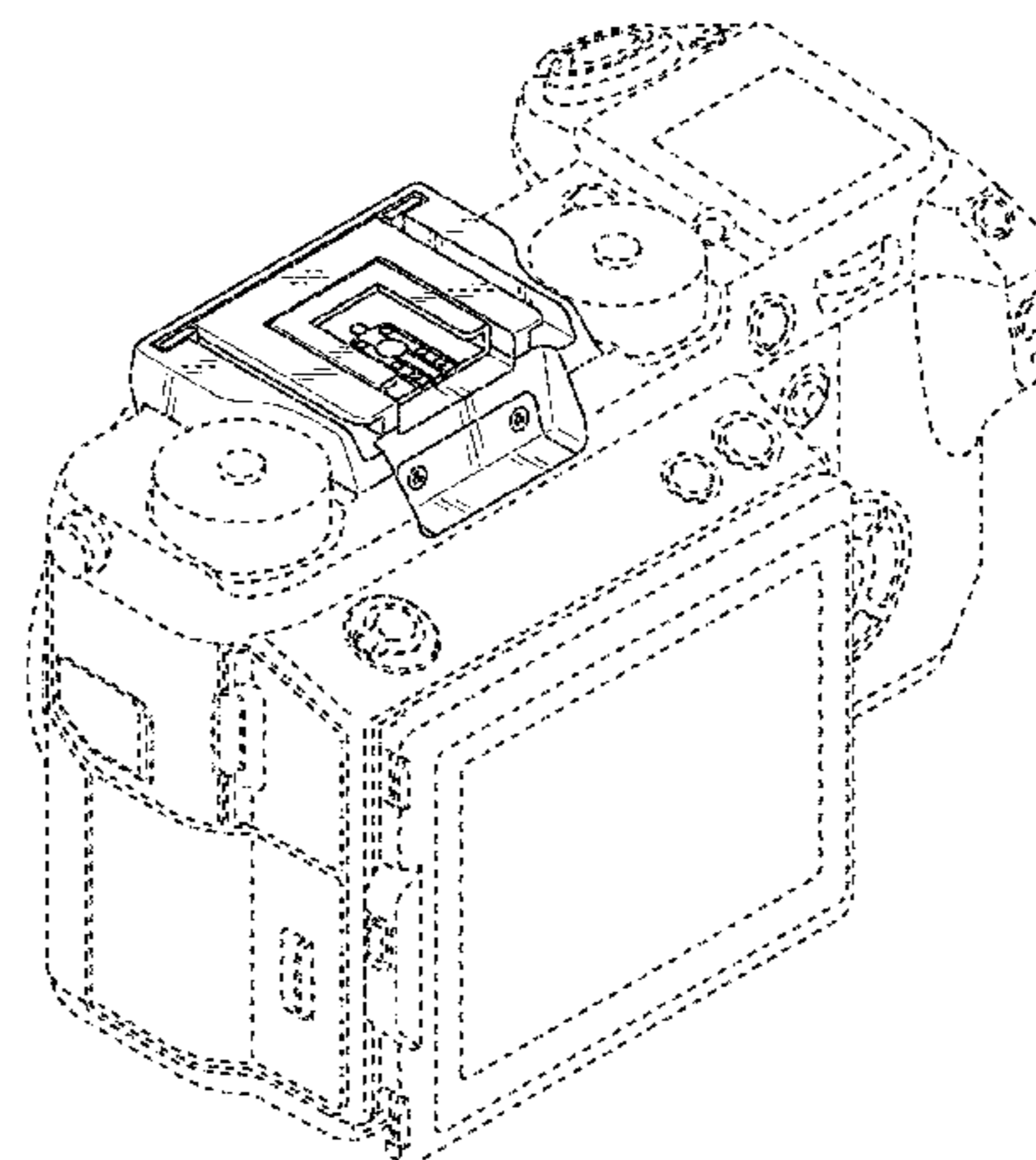
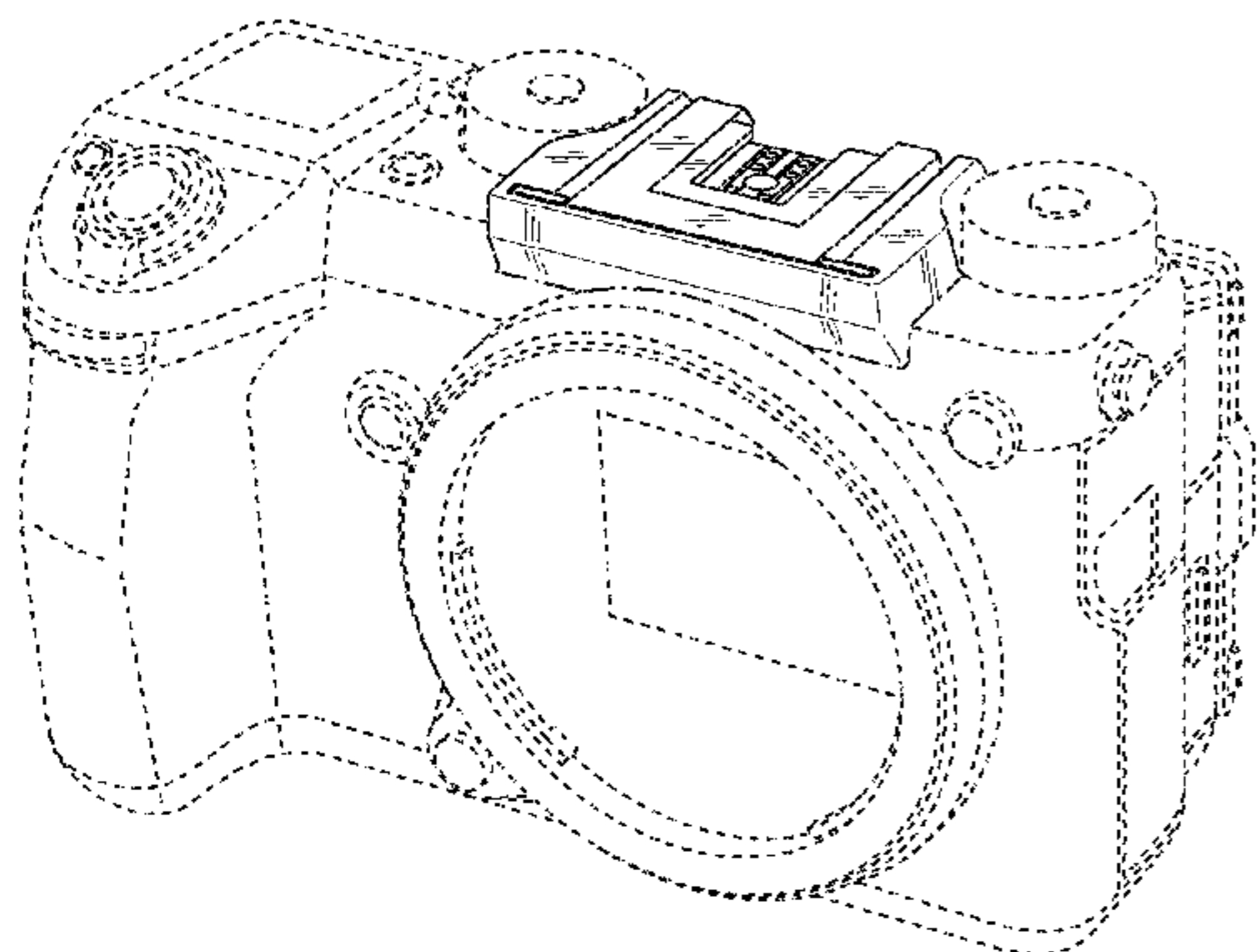
The ornamental design for a digital camera, as shown and described.

DESCRIPTION

FIG. 1 is a top, right perspective view of a digital camera showing the new design;
FIG. 2 is a rear top, right perspective view thereof;
FIG. 3 is a front view thereof;
FIG. 4 is a rear view thereof;
FIG. 5 is a plan view thereof;
FIG. 6 is a bottom view thereof;
FIG. 7 is a right side view thereof; and,
FIG. 8 is a left side view thereof.

The short dashed lines shown in the drawings depict portions of the digital camera that form no part of the claimed design. The long dot-dashed lines depict boundaries of the claim and form no part of the claimed design.

1 Claim, 8 Drawing Sheets



(56)

References Cited

U.S. PATENT DOCUMENTS

D795,324 S *	8/2017	Sato	D16/202
9,791,660 B2 *	10/2017	Takeshita	G02B 7/04
D807,941 S *	1/2018	Kamei	D16/202
D821,475 S *	6/2018	Ikegame	D16/200
D823,923 S *	7/2018	Imai	D16/219
2015/0215507 A1 *	7/2015	Odagaki	H04N 5/2254 348/375

* cited by examiner

FIG. 1

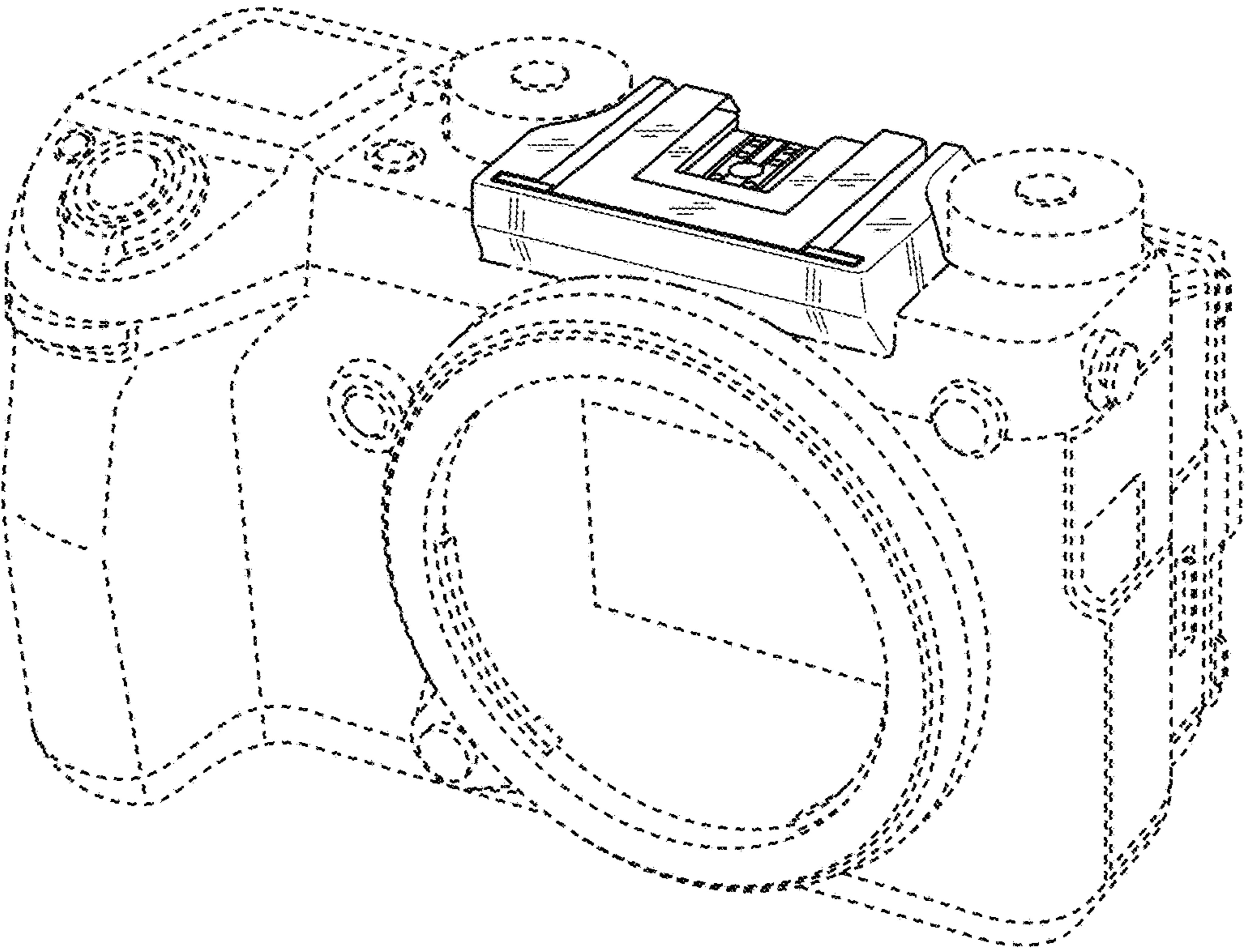


FIG. 2

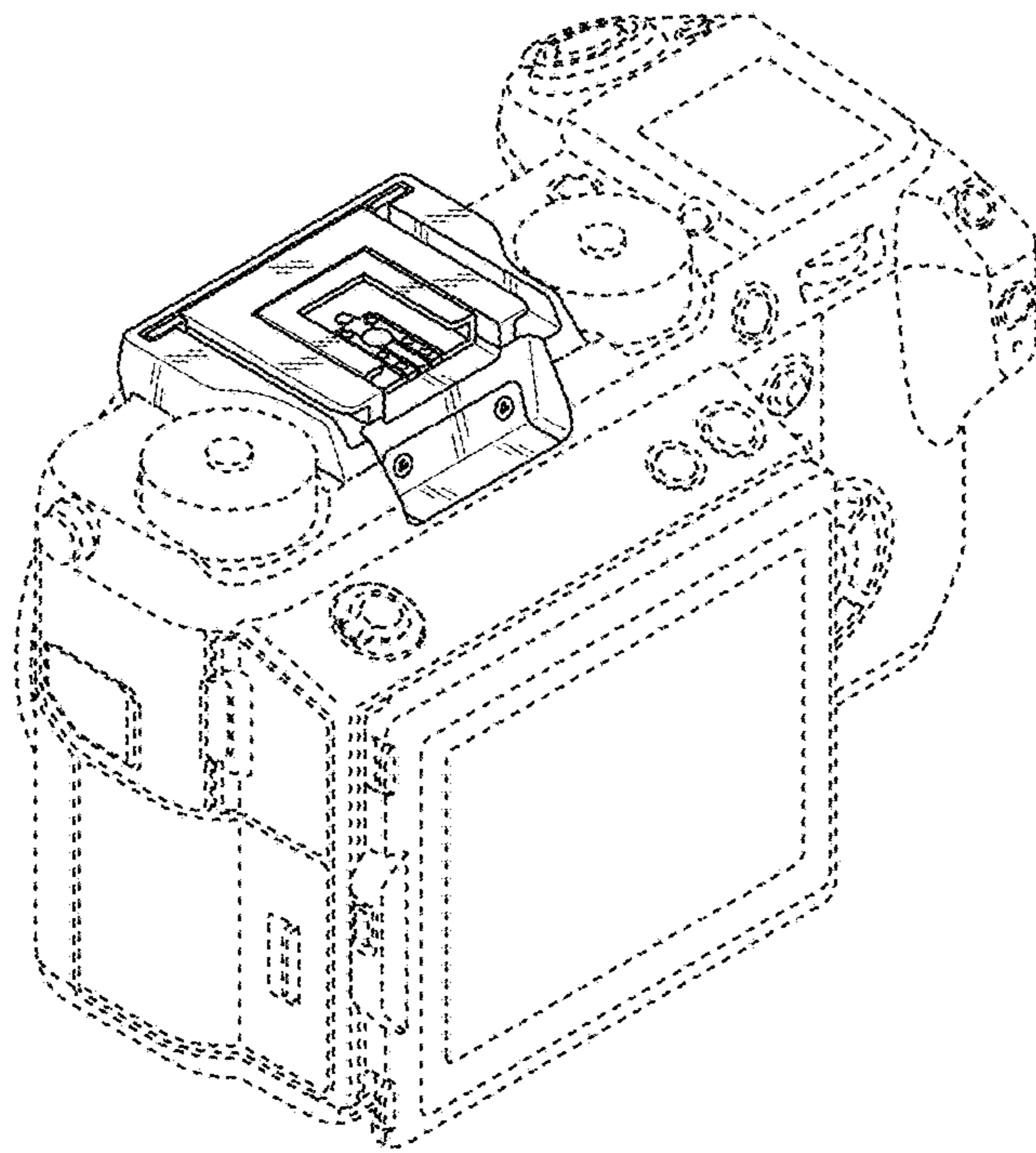


FIG. 3

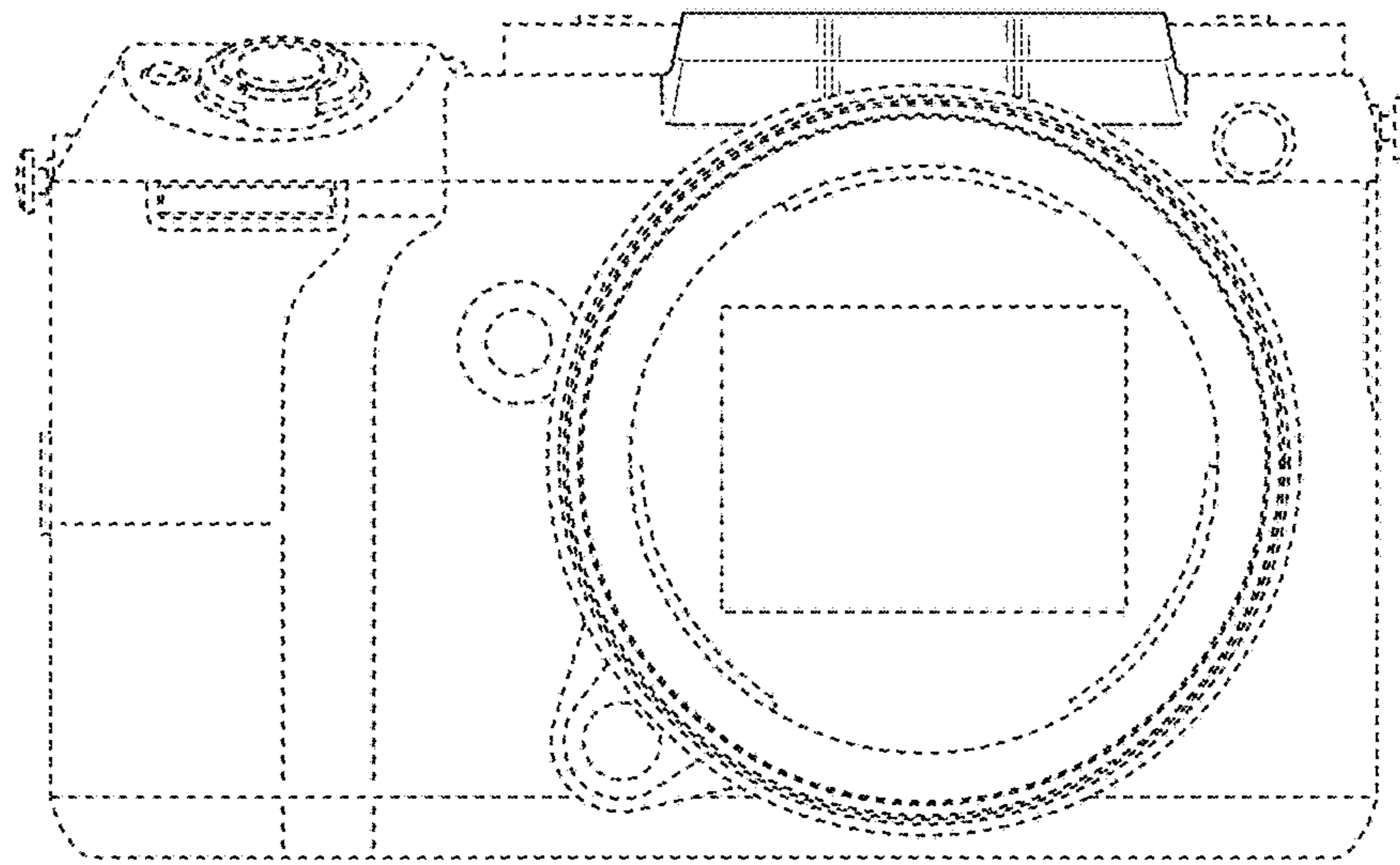


FIG. 4

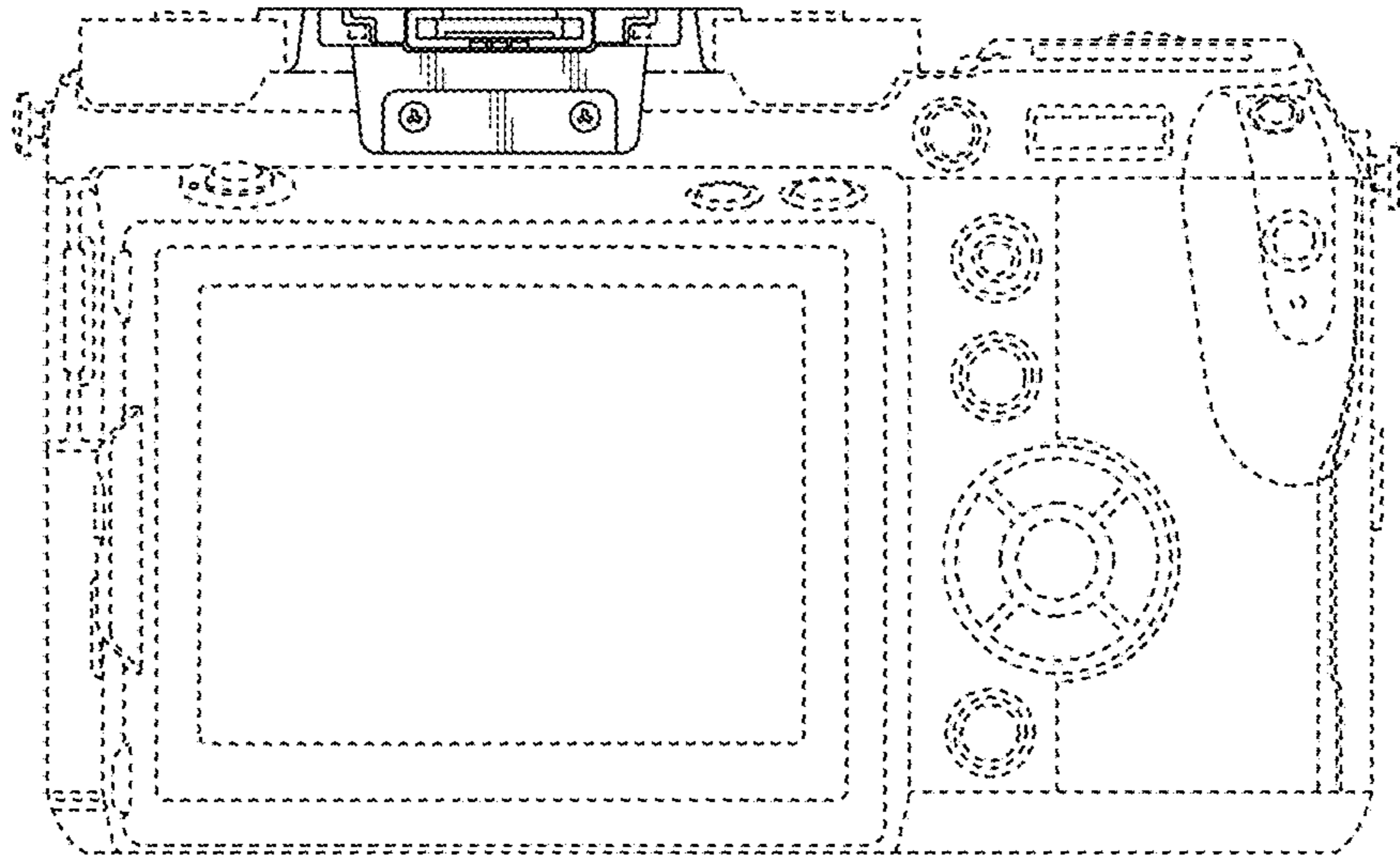


FIG. 5

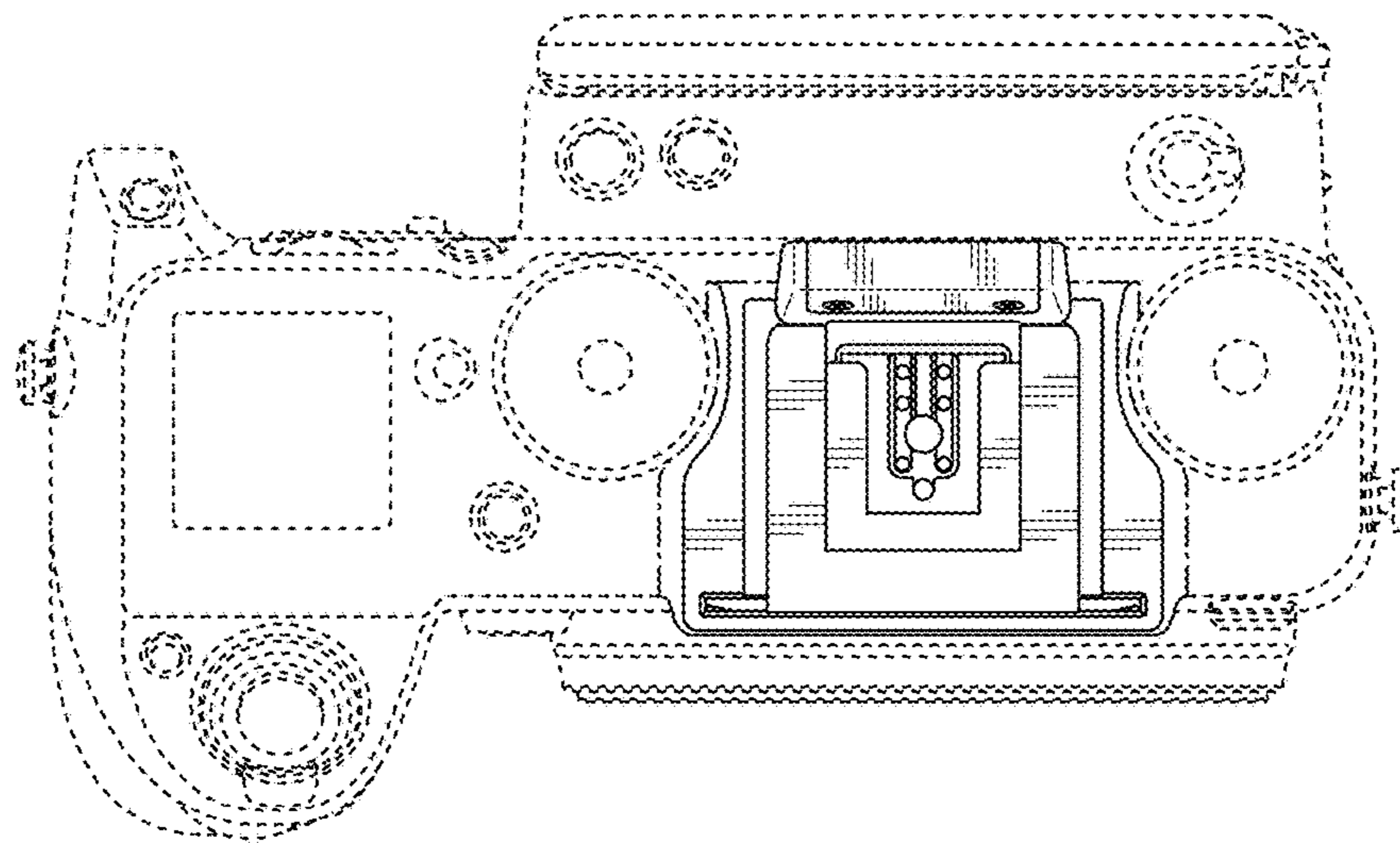


FIG. 6

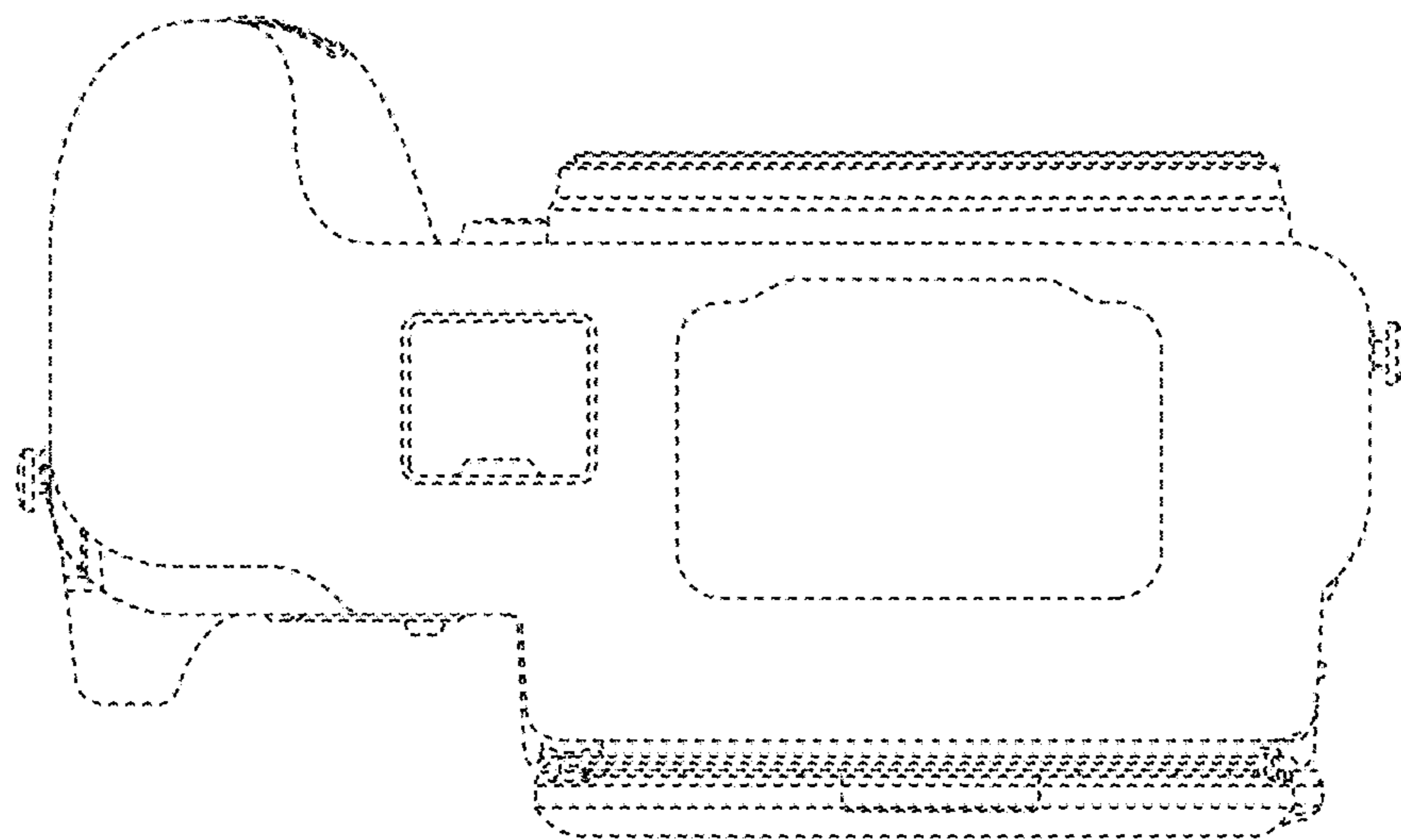


FIG. 7

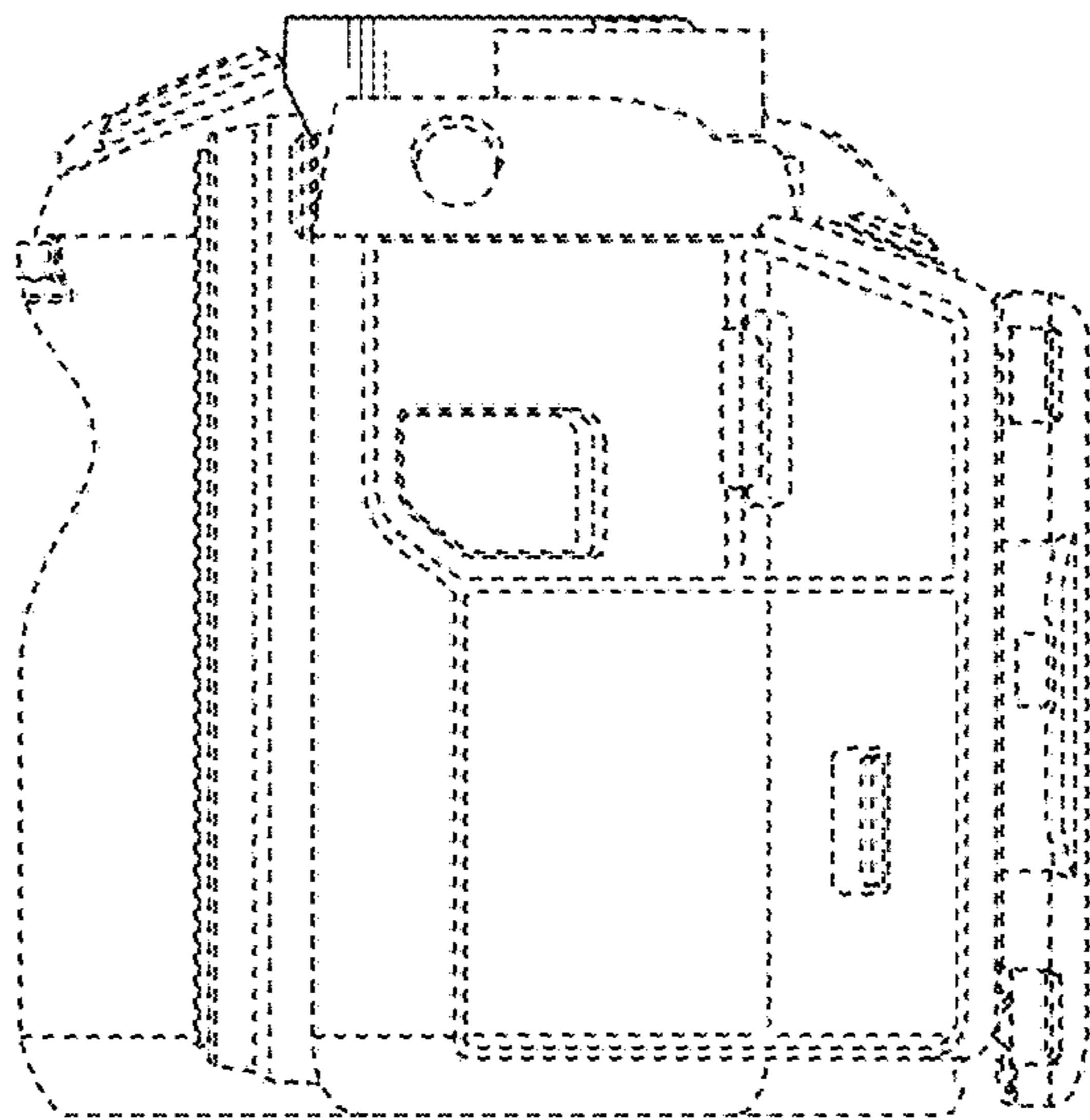


FIG. 8

