



US00D838763S

(12) **United States Design Patent**  
**Yu**

(10) **Patent No.:** **US D838,763 S**

(45) **Date of Patent:** **\*\* Jan. 22, 2019**

(54) **HUNTING TRAIL CAMERA**

(71) Applicant: **Shenzhen LongZhiyuan Technology Co., Ltd.**, Shenzhen, Guangdong (CN)

(72) Inventor: **Mengchu Yu**, Guangdong (CN)

(73) Assignee: **SHENZHEN LONGZHIYUAN TECHNOLOGY CO., LTD.**, Shenzhen (CN)

(\*\*) Term: **15 Years**

(21) Appl. No.: **29/601,078**

(22) Filed: **Apr. 18, 2017**

(51) **LOC (11) Cl.** ..... **16-01**

(52) **U.S. Cl.**  
USPC ..... **D16/218; D16/203**

(58) **Field of Classification Search**  
USPC ..... D16/200, 202-206, 218, 219, 242;  
348/143, 148, 151, 155, 164, 373-376;  
396/419, 427, 535, 539-541  
CPC ..... G03B 17/02; G03B 19/04; G03B 17/56;  
G03B 17/04; G03B 15/03; H04N 5/2251;  
H04N 5/2252; H04N 5/2253; H04N  
5/2254; H04N 7/181; H04N 7/183; H04N  
7/18; G08B 13/1963; G08B 13/19619;  
G08B 13/19632; G08B 13/19602; G08B  
13/19634; F16M 11/04; F16M 13/00  
See application file for complete search history.

(56) **References Cited**

**U.S. PATENT DOCUMENTS**

7,471,334 B1 \* 12/2008 Stenger ..... G03B 29/00  
348/143  
7,534,056 B2 \* 5/2009 Cross ..... F16M 11/10  
348/143

D616,009 S \* 5/2010 Schnell ..... D16/218  
D628,224 S \* 11/2010 Barley ..... D16/203  
D653,276 S \* 1/2012 Schnell ..... D16/218  
D655,735 S \* 3/2012 Barley ..... D16/203  
D655,736 S \* 3/2012 Barley ..... D16/203  
D671,584 S \* 11/2012 Ohno ..... D16/202  
D673,991 S \* 1/2013 Schnell ..... D16/218  
D674,833 S \* 1/2013 Cuddeback ..... D16/203  
D691,647 S \* 10/2013 Ye ..... D16/203  
D721,116 S \* 1/2015 Schnell ..... D16/218  
D735,259 S \* 7/2015 Vermaak ..... D16/218

\* cited by examiner

*Primary Examiner* — Philip S Hyder  
*Assistant Examiner* — Ramzi Almatrahi

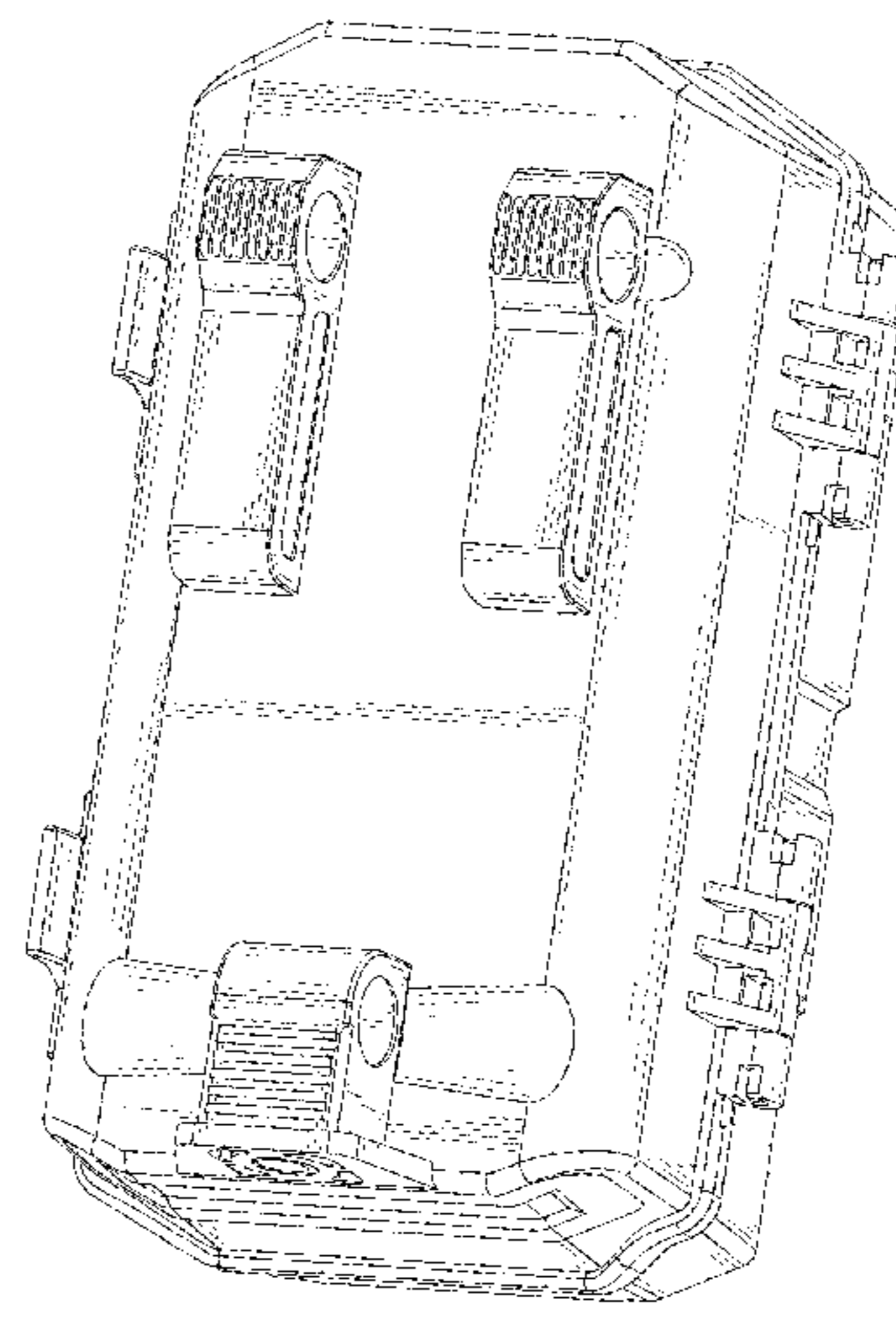
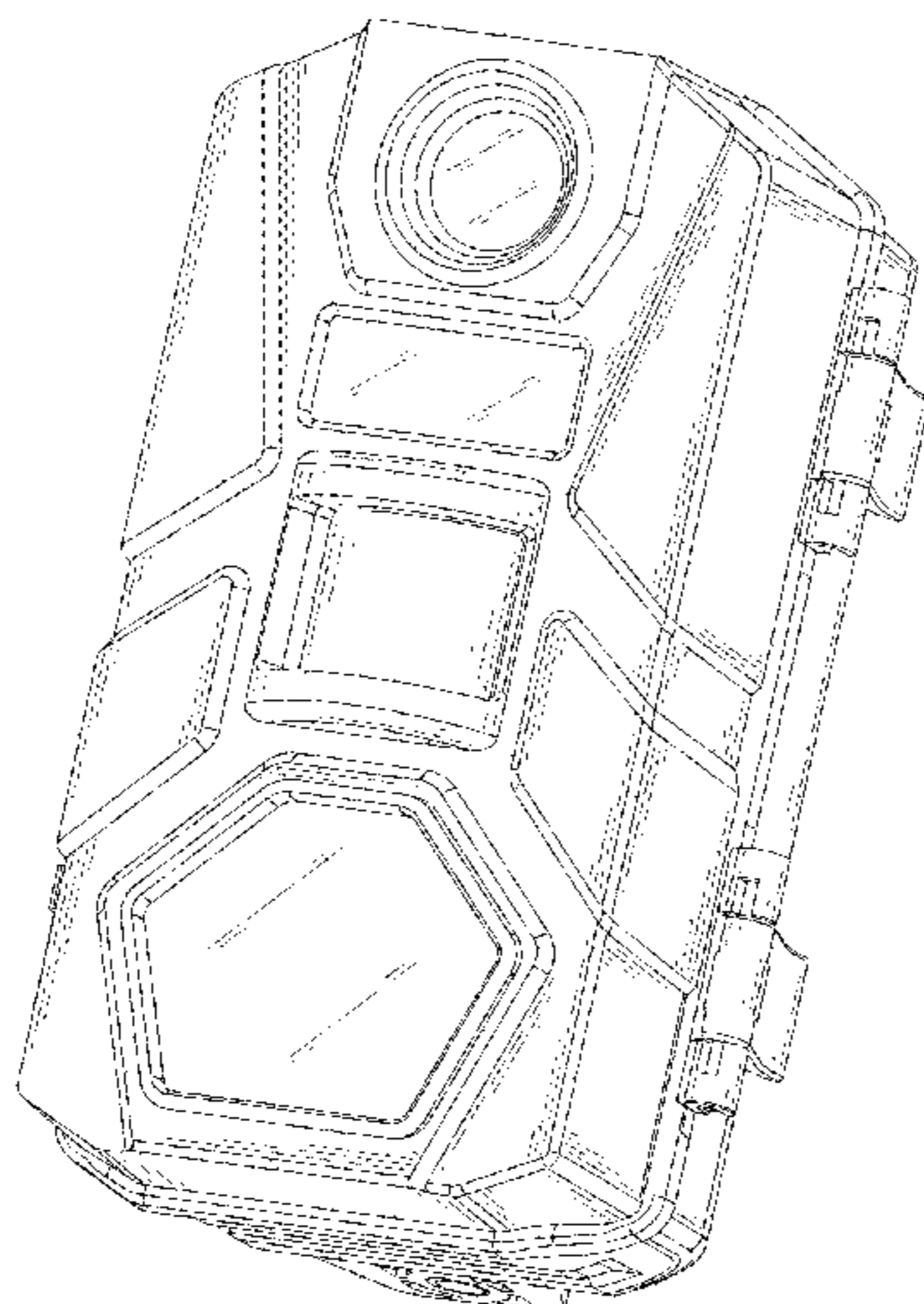
(57) **CLAIM**

The ornamental design for a hunting trail camera, as shown and described.

**DESCRIPTION**

FIG. 1 is a front elevational view of a hunting trail camera showing my new design;  
FIG. 2 is a rear elevational view thereof;  
FIG. 3 is a left side view thereof;  
FIG. 4 is a right side view thereof;  
FIG. 5 is a top plan view thereof;  
FIG. 6 is a bottom plan view thereof;  
FIG. 7 is a bottom, front and right side perspective view thereof;  
FIG. 8 is a bottom, rear and left side perspective view thereof;  
FIG. 9 is a top, rear and right side perspective view thereof;  
and,  
FIG. 10 is a top, front and left side perspective view thereof.

**1 Claim, 10 Drawing Sheets**



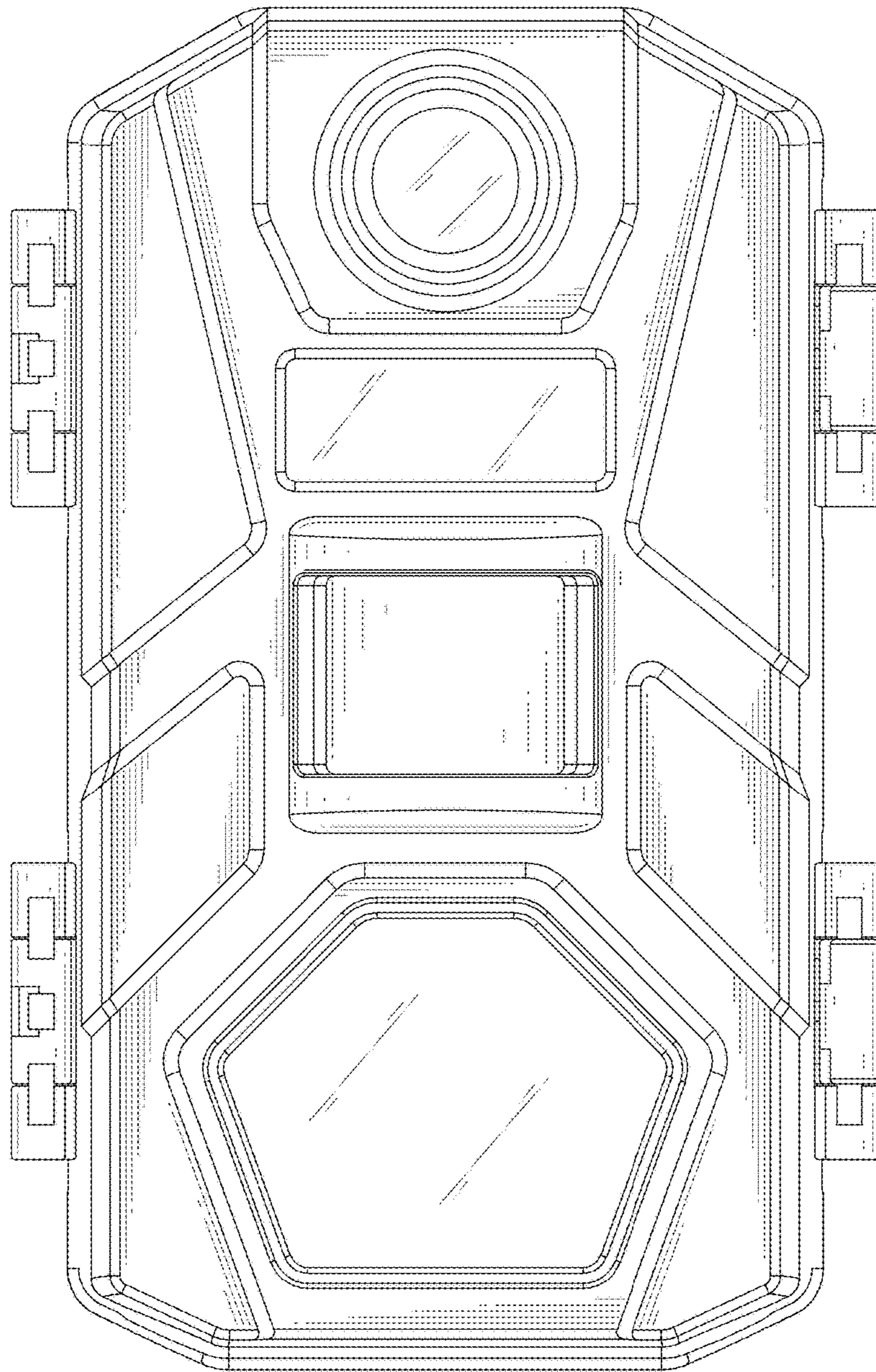


FIG. 1

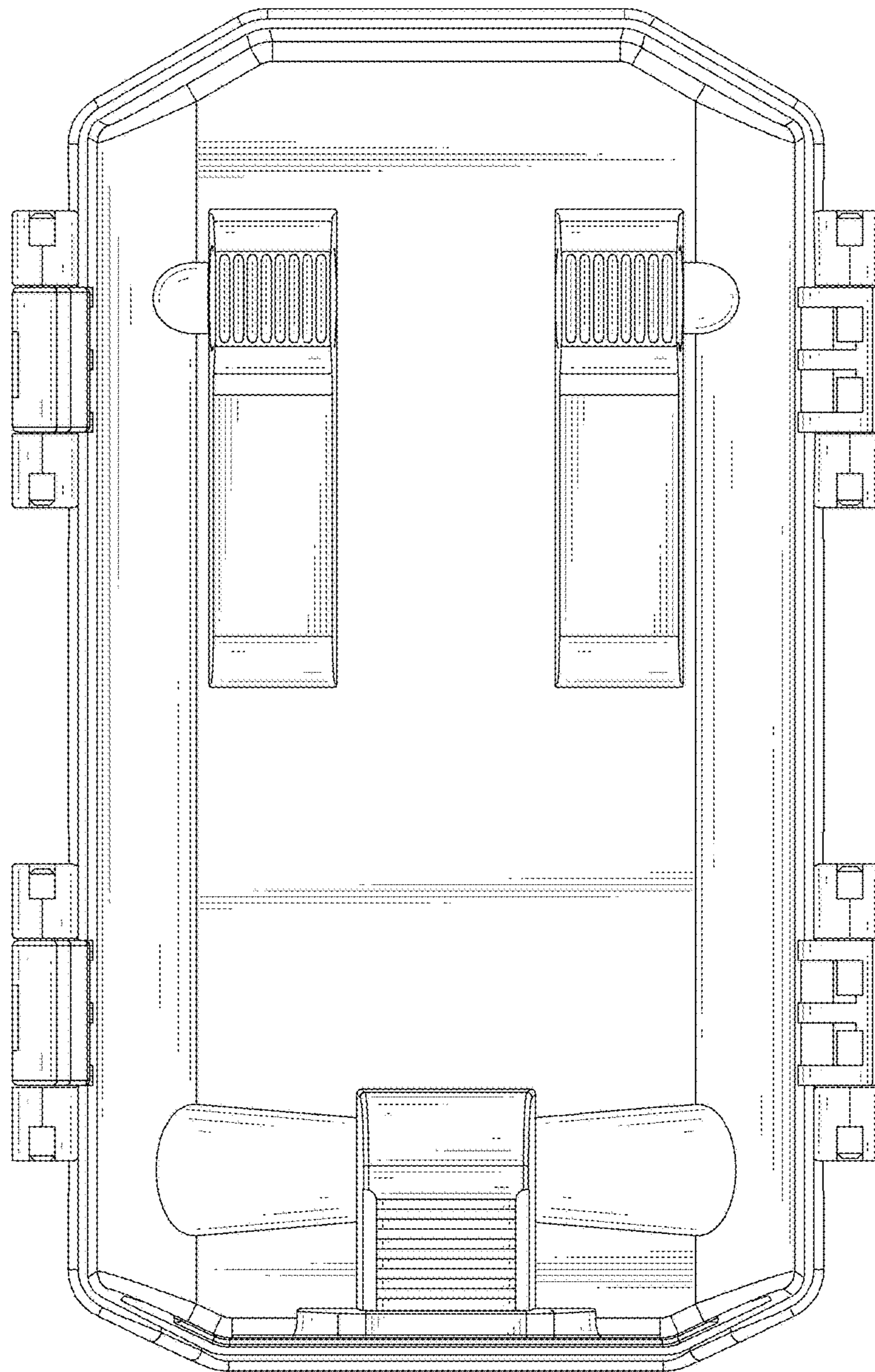


FIG. 2

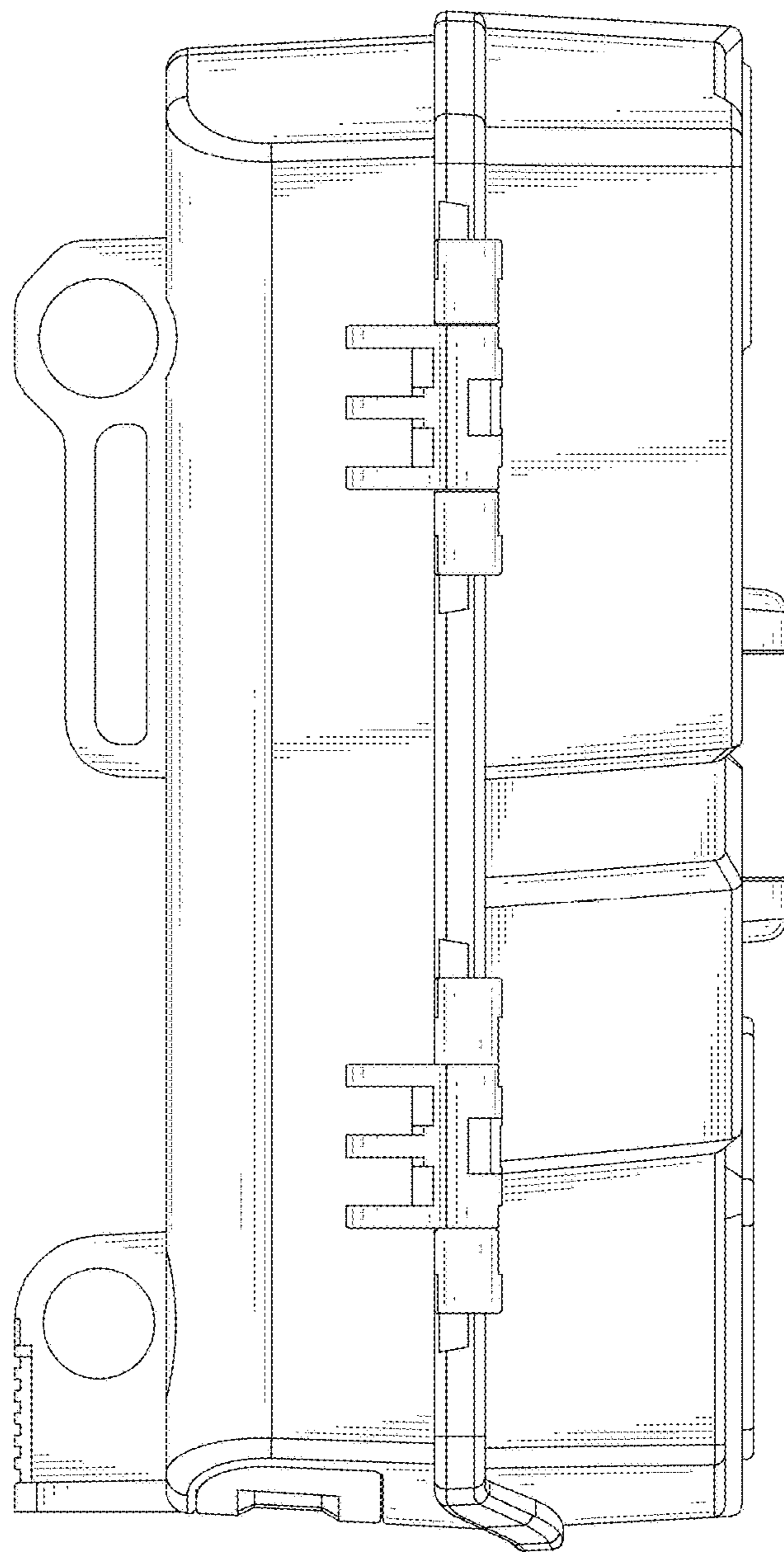


FIG. 3

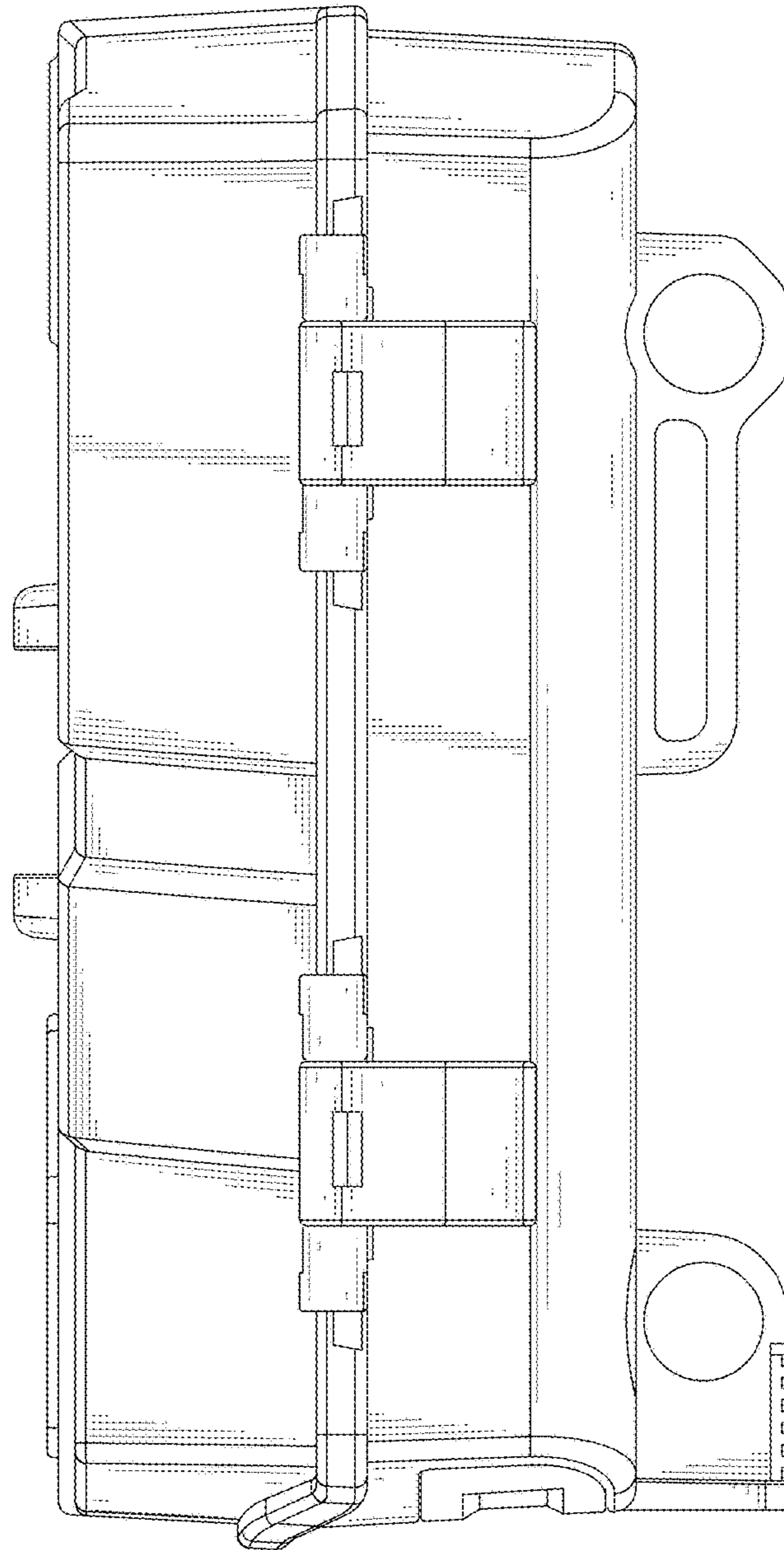


FIG. 4

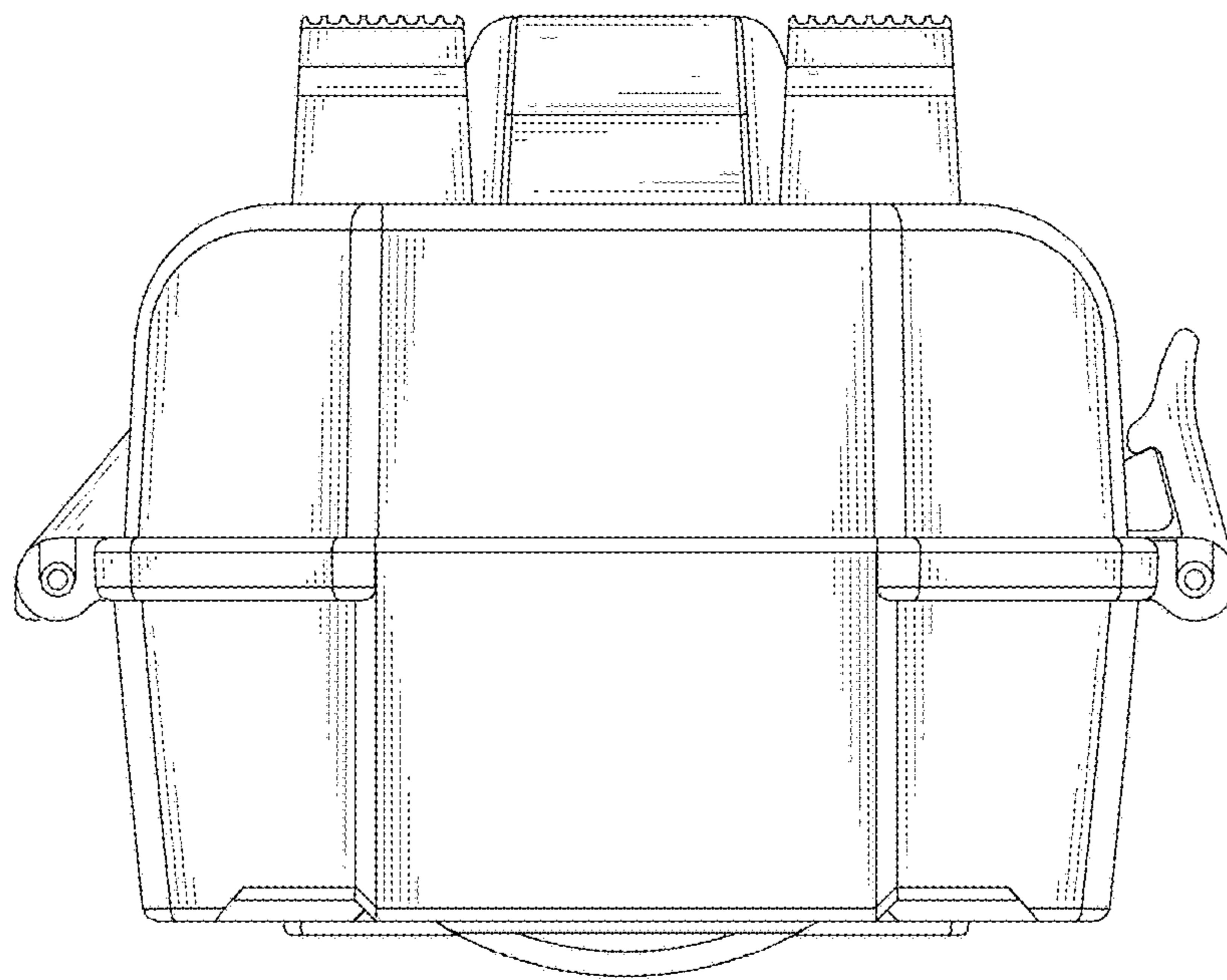


FIG. 5

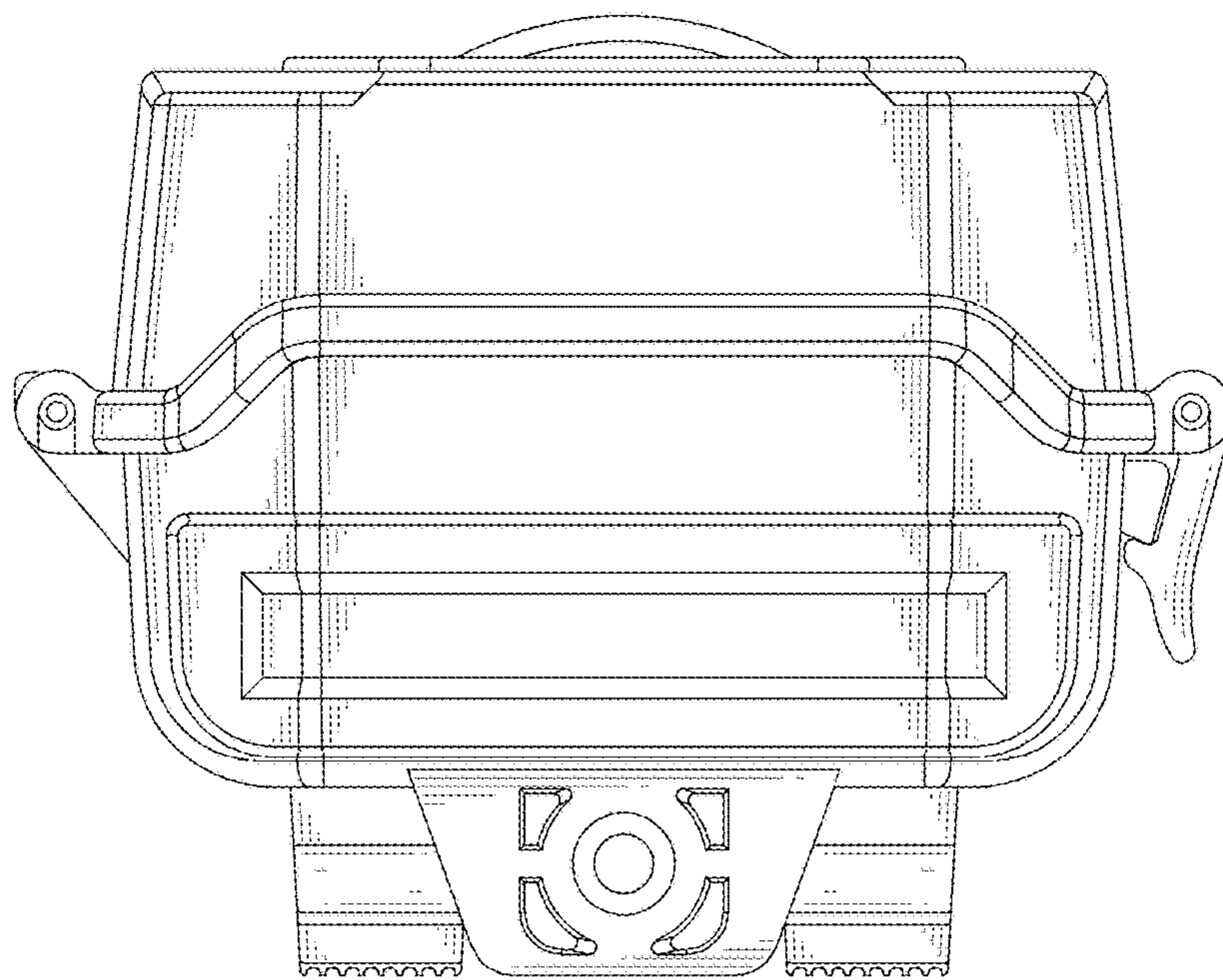


FIG. 6

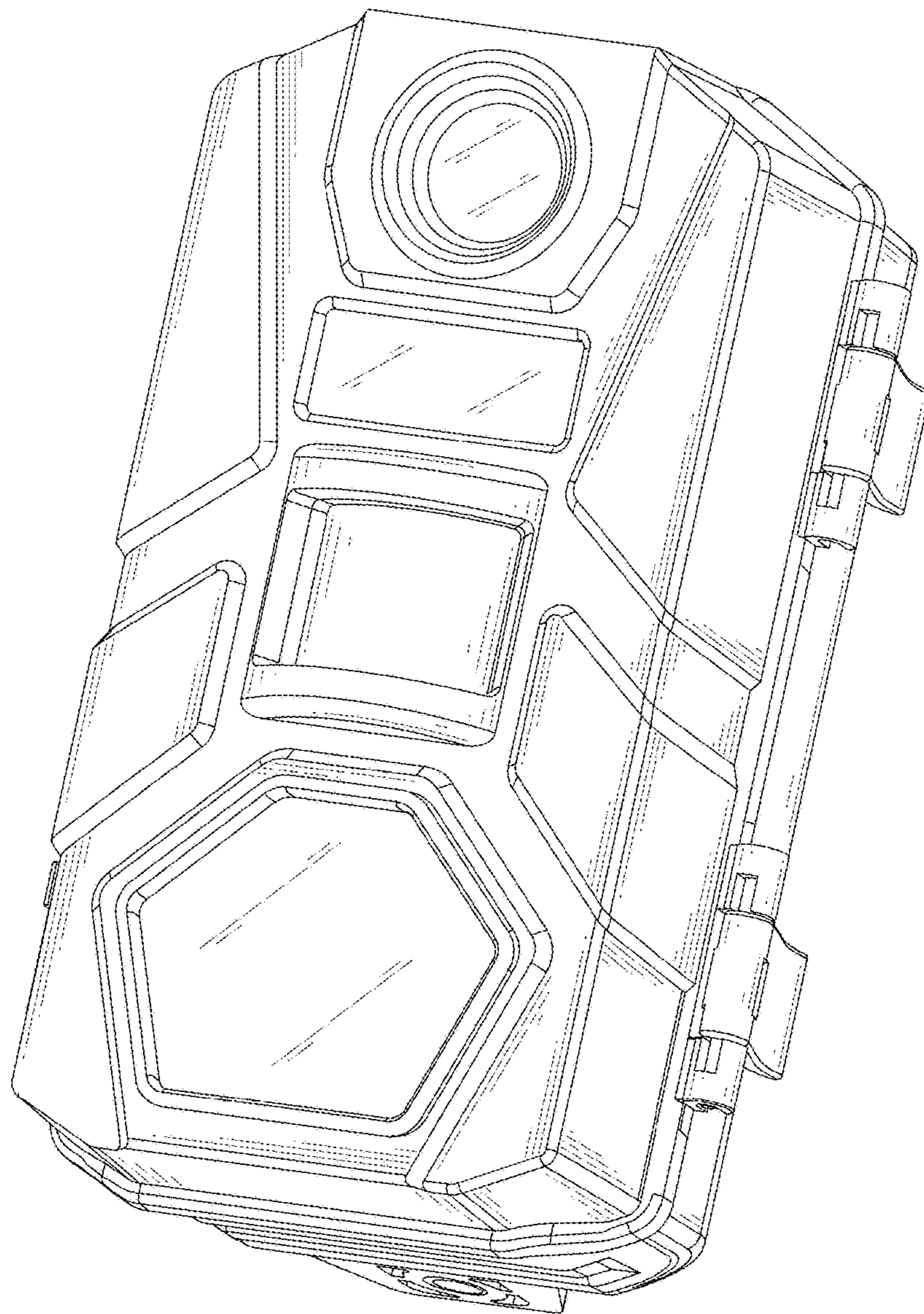


FIG. 7



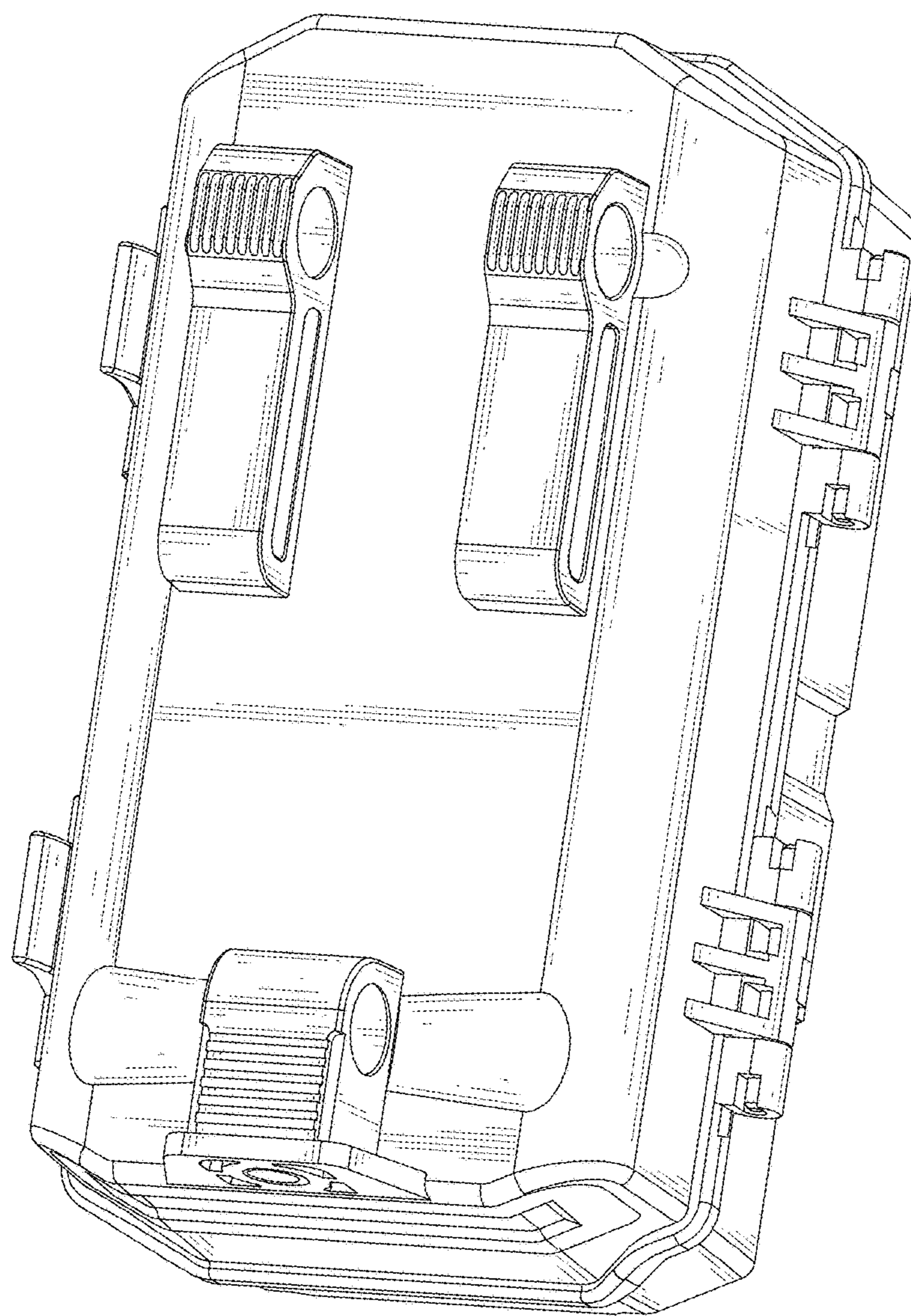


FIG. 8

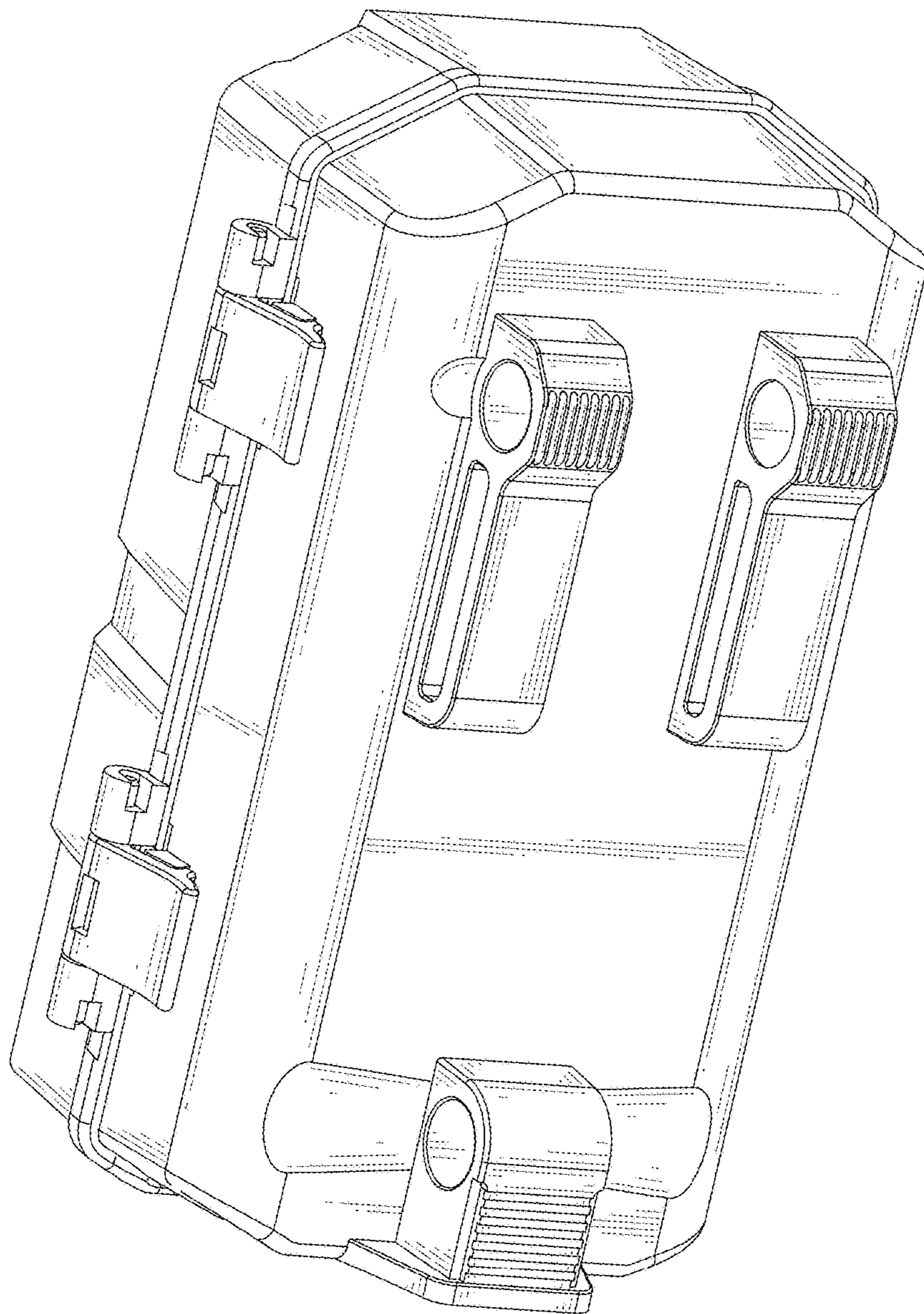


FIG. 9

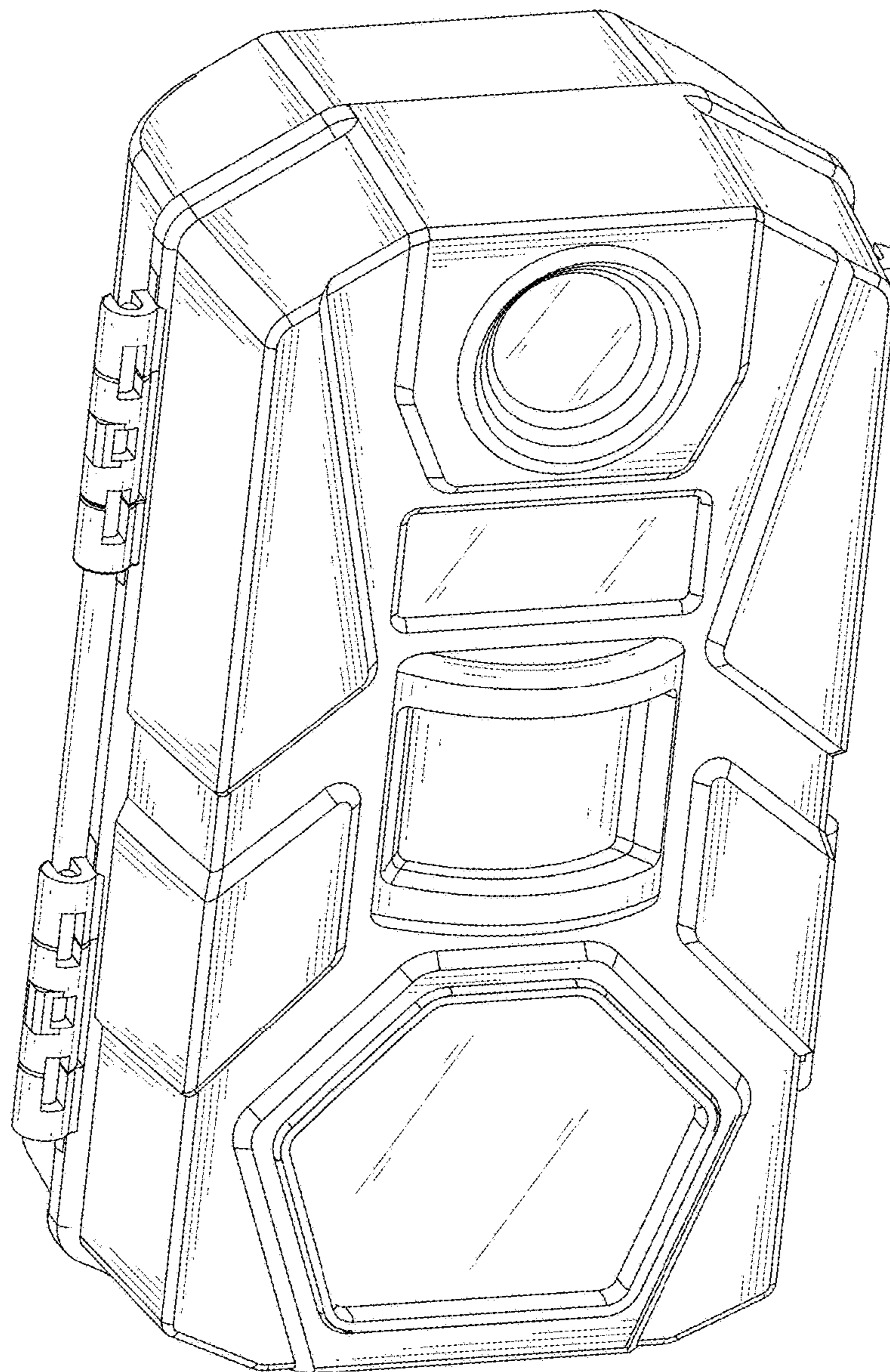


FIG. 10