



US00D838762S

(12) **United States Design Patent** (10) **Patent No.:** **US D838,762 S**
Piekarski et al. (45) **Date of Patent:** **** Jan. 22, 2019**

(54) **CAMERA**
(71) Applicant: **C & A Marketing, Inc.**, Edison, NJ (US)
(72) Inventors: **Chayim Piekarski**, Brooklyn, NY (US); **Avraham Yeshayah Rosskamm**, Chestnut Ridge, NY (US); **Jonas Lagerstedt**, San Francisco, CA (US); **Leon Wolfendale**, San Francisco, CA (US)

D542,820 S 5/2007 Depay
D564,004 S 3/2008 Ikeda et al.
D582,955 S 12/2008 Sekine et al.
D592,234 S * 5/2009 Kim D16/219
D594,047 S * 6/2009 Lee D16/202
D595,328 S 6/2009 Kim et al.
D614,223 S 4/2010 Kim et al.
D616,480 S 5/2010 Ookawa et al.
D649,573 S 11/2011 Al
D651,633 S 1/2012 Park et al.

(Continued)

FOREIGN PATENT DOCUMENTS

(73) Assignee: **C & A Marketing, Inc.**, Edison, NJ (US)

EM 001216303-0003 8/2010
TW D129767 7/2009

(**) Term: **15 Years**

Primary Examiner — Philip S Hyder
Assistant Examiner — Ramzi S Almatrahi

(21) Appl. No.: **29/589,825**

(74) *Attorney, Agent, or Firm* — Weiss & Arons LLP; Avi Goldenberg, Esq.

(22) Filed: **Jan. 4, 2017**

(51) **LOC (11) Cl.** **16-01**

(57) **CLAIM**

(52) **U.S. Cl.**
USPC **D16/218**

We claim the ornamental design for a camera, as shown and described.

(58) **Field of Classification Search**
USPC D16/200, 202–206, 208, 218, 219;
348/373–376; 396/535, 539–541
CPC G03B 15/03; G03B 17/02; G03B 17/04;
G03B 17/56; G03B 19/04; H04N 5/2251;
H04N 5/2252; H04N 5/2253; H04N
5/2254; H04N 2101/00

DESCRIPTION

See application file for complete search history.

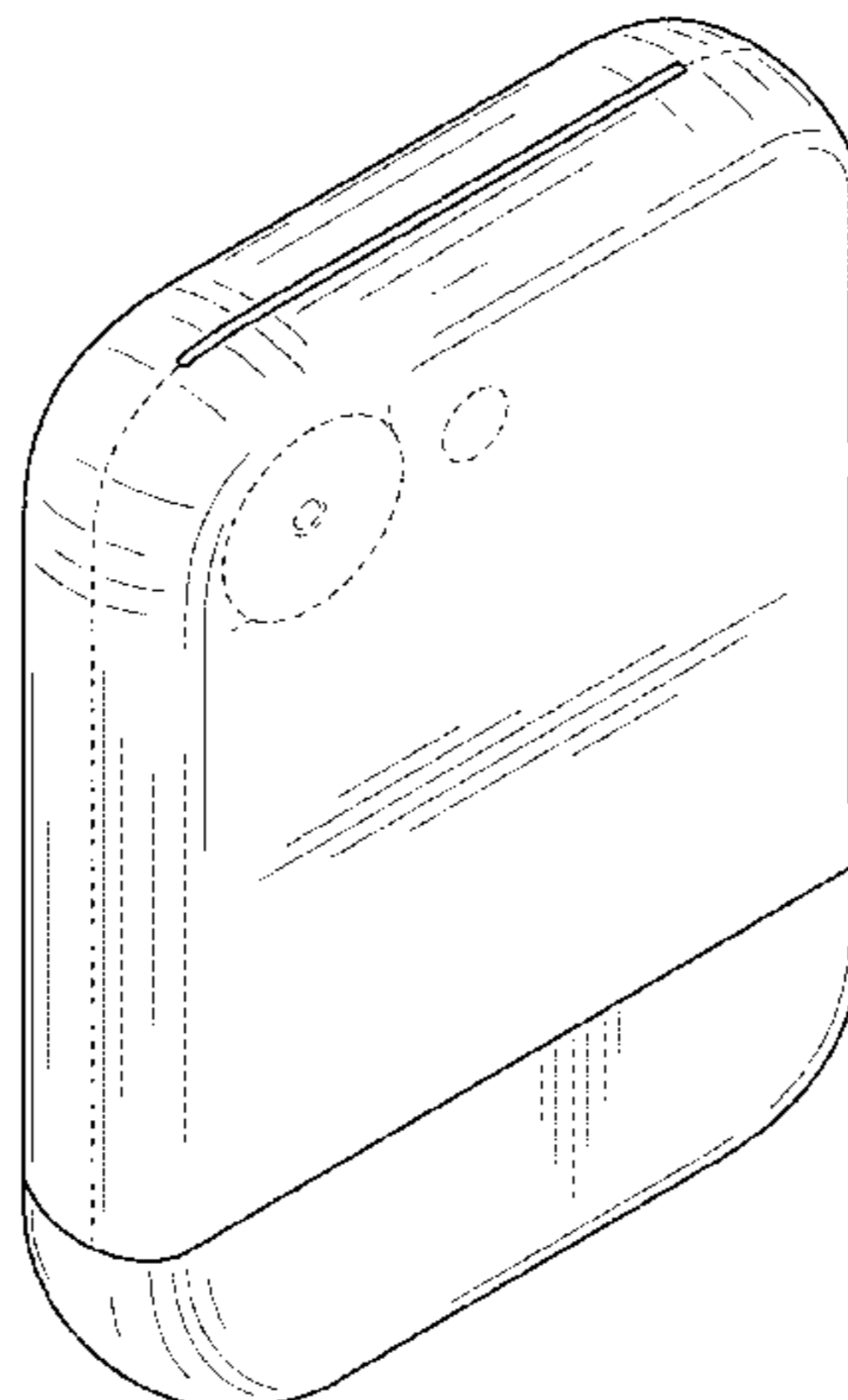
FIG. 1 is a top, front, left perspective view of a camera showing our new design;
FIG. 2 is a front elevational view thereof;
FIG. 3 is a rear elevational view thereof;
FIG. 4 is a right side elevational view thereof;
FIG. 5 is a left side elevational view thereof;
FIG. 6 is a top plan view thereof;
FIG. 7 is a bottom plan view thereof;
FIG. 8 is a bottom, front, left perspective view thereof, showing the bottom portion of the camera in an open position; and,
FIG. 9 is a bottom, rear, left perspective view thereof.
The broken lines depict portions of the camera in which the design is embodied that form no part of the claimed design.

(56) **References Cited**

U.S. PATENT DOCUMENTS

D364,884 S 12/1995 Shindo
D465,504 S * 11/2002 Van Klinken D16/203
D474,221 S * 5/2003 Cheng D16/218
D480,741 S * 10/2003 Berger D16/202
6,718,129 B1 * 4/2004 Cornell G03B 17/02
396/176
D504,904 S * 5/2005 Nagai D16/203

1 Claim, 5 Drawing Sheets



(56)

References Cited

U.S. PATENT DOCUMENTS

D668,283 S	10/2012	Ohno et al.	
D692,939 S *	11/2013	Huang	D16/218
D707,746 S *	6/2014	Sakai	D16/218
D709,543 S *	7/2014	Isozaki	D16/218
D730,421 S	5/2015	Huang et al.	
D733,781 S	7/2015	Chen	
D736,292 S	8/2015	Fengmin et al.	
D744,572 S *	12/2015	Tabuchi	D16/218
D764,559 S *	8/2016	Luo	D16/202
2014/0160349 A1 *	6/2014	Huang	H04N 5/2251 348/375

* cited by examiner

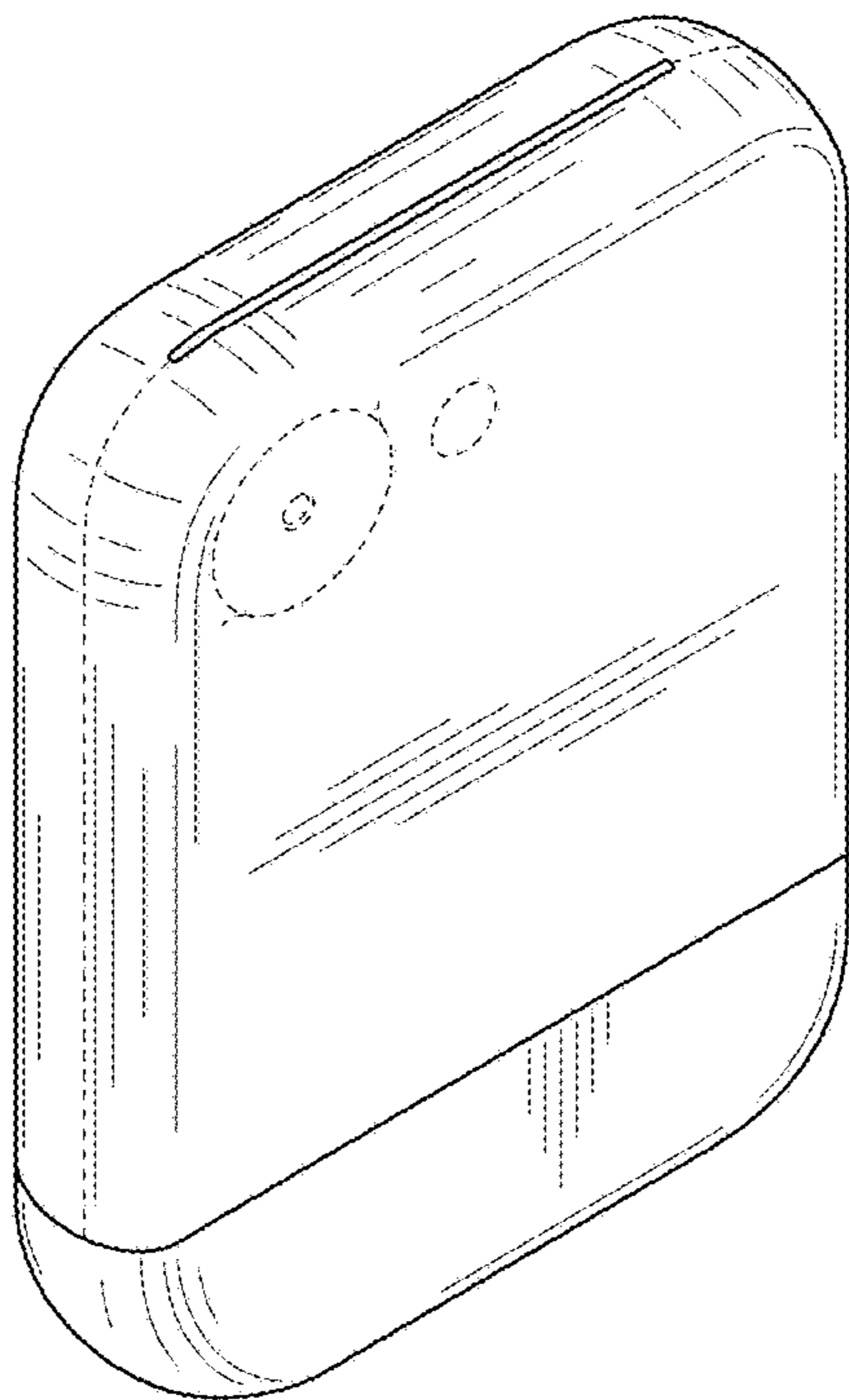


FIG. 1

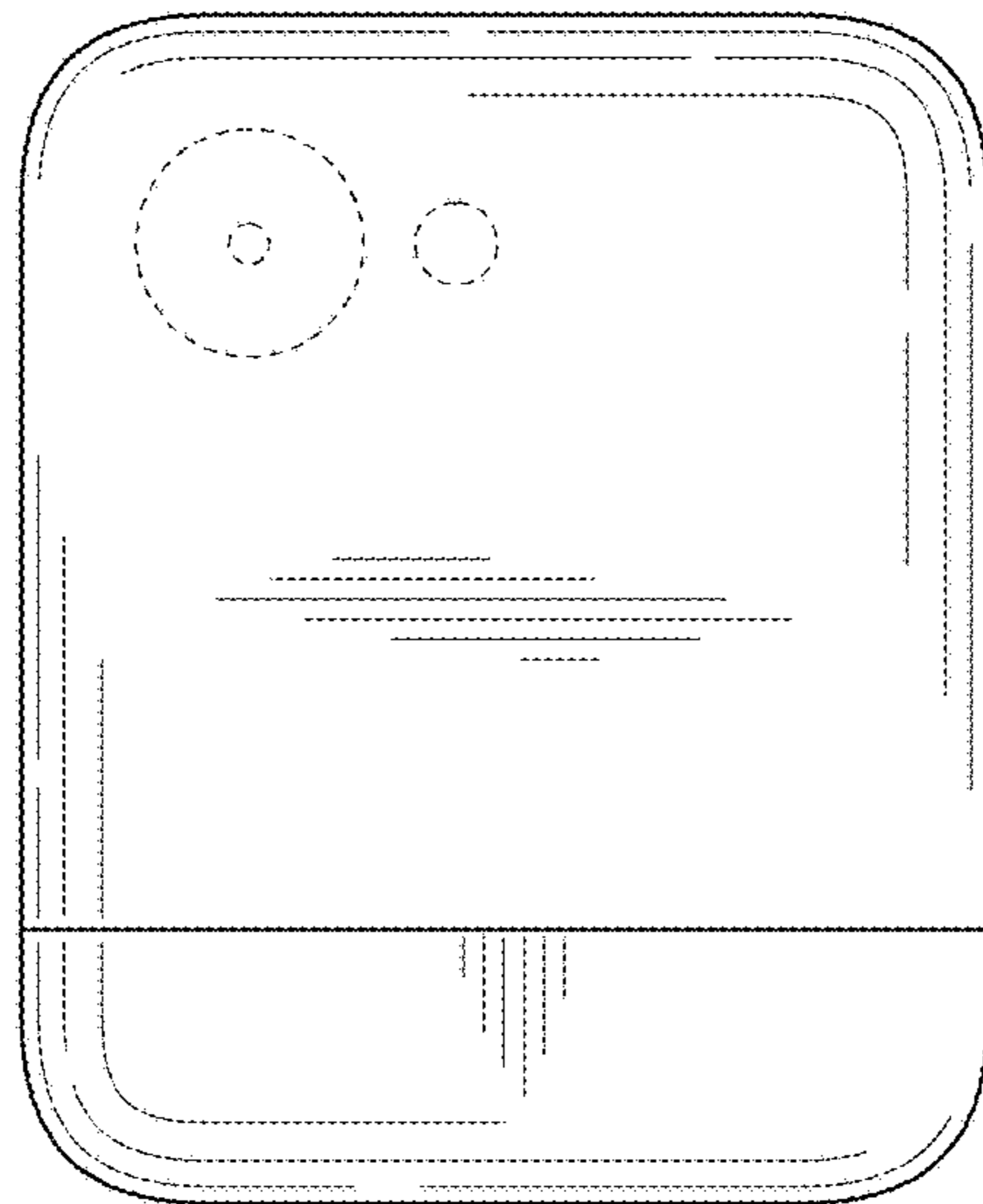


FIG. 2

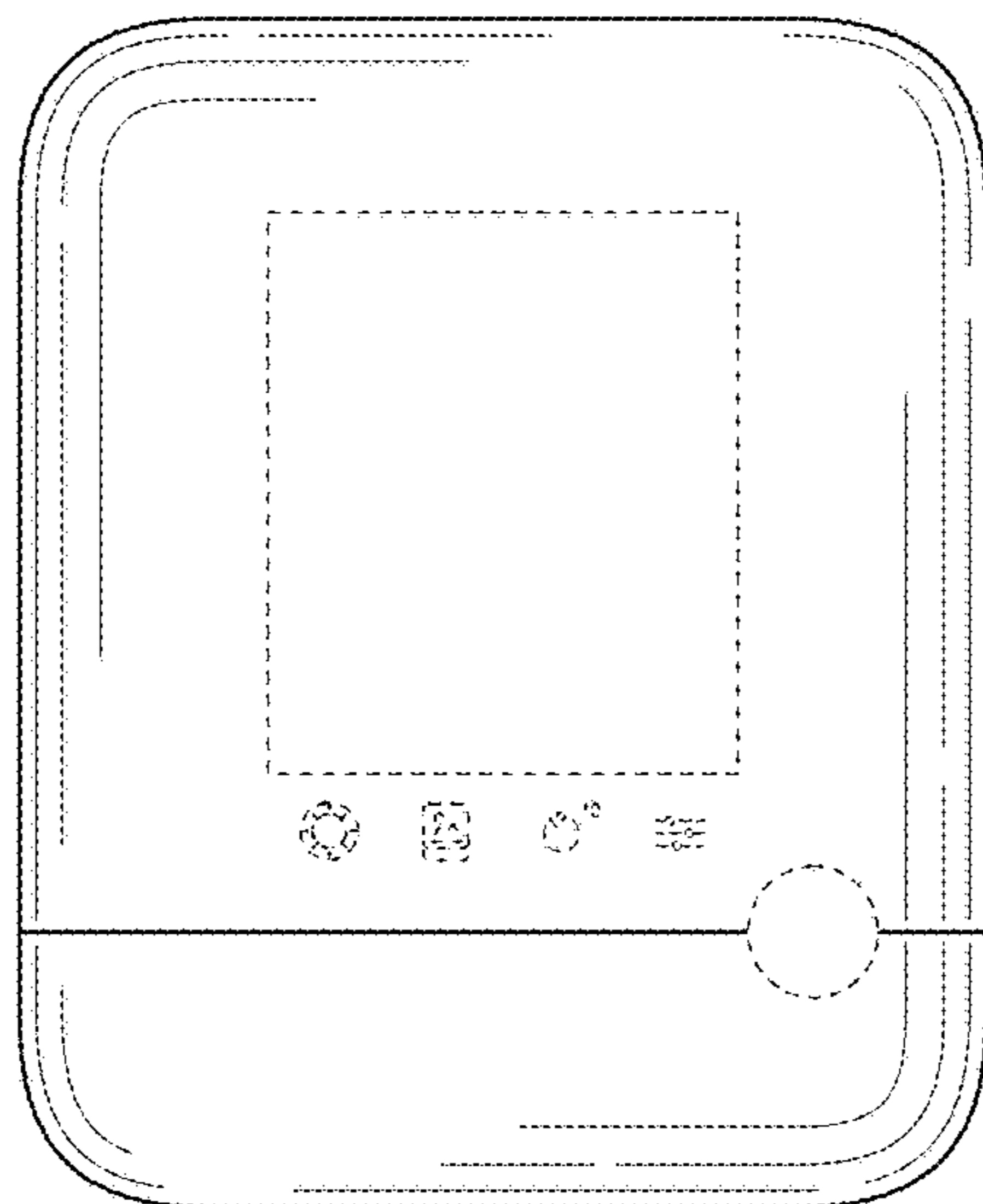


FIG. 3

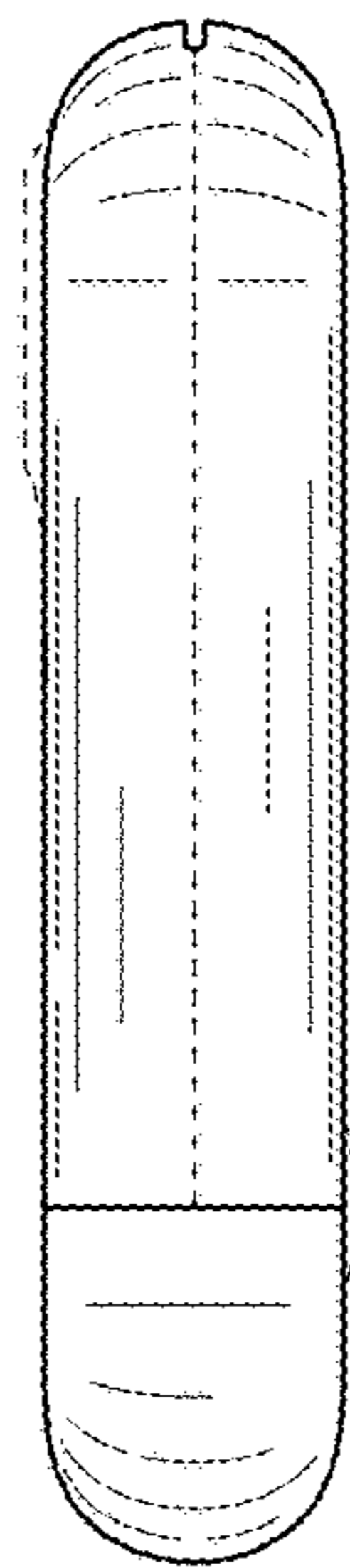


FIG. 4

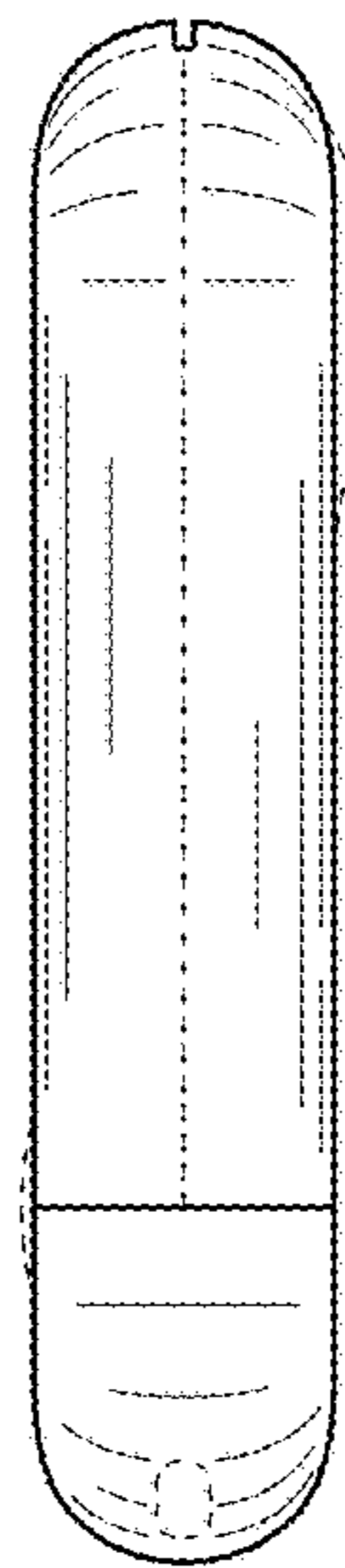


FIG. 5

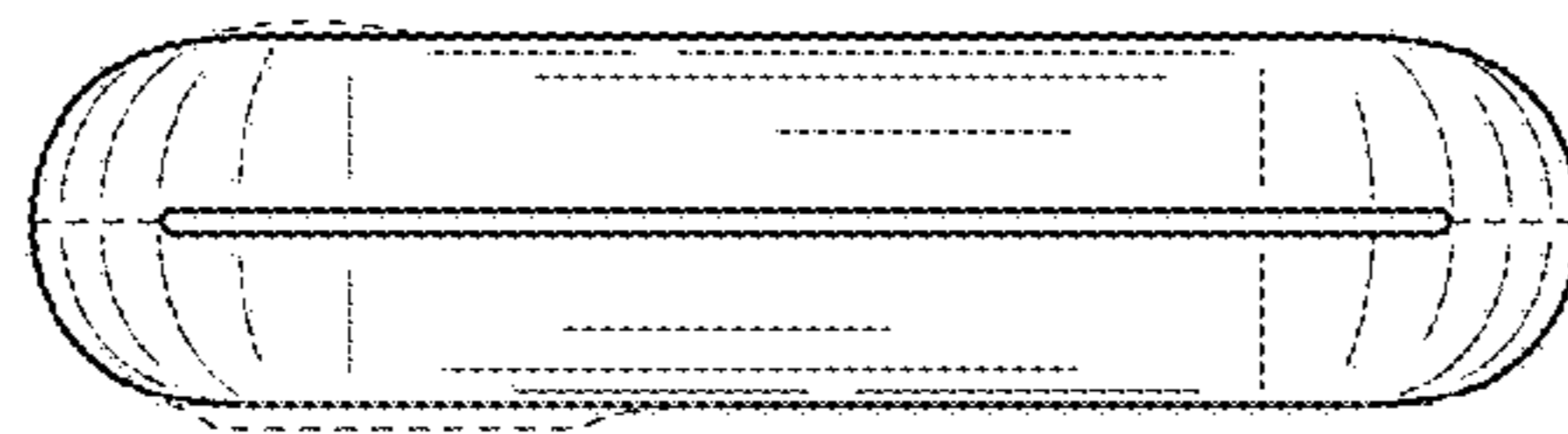


FIG. 6

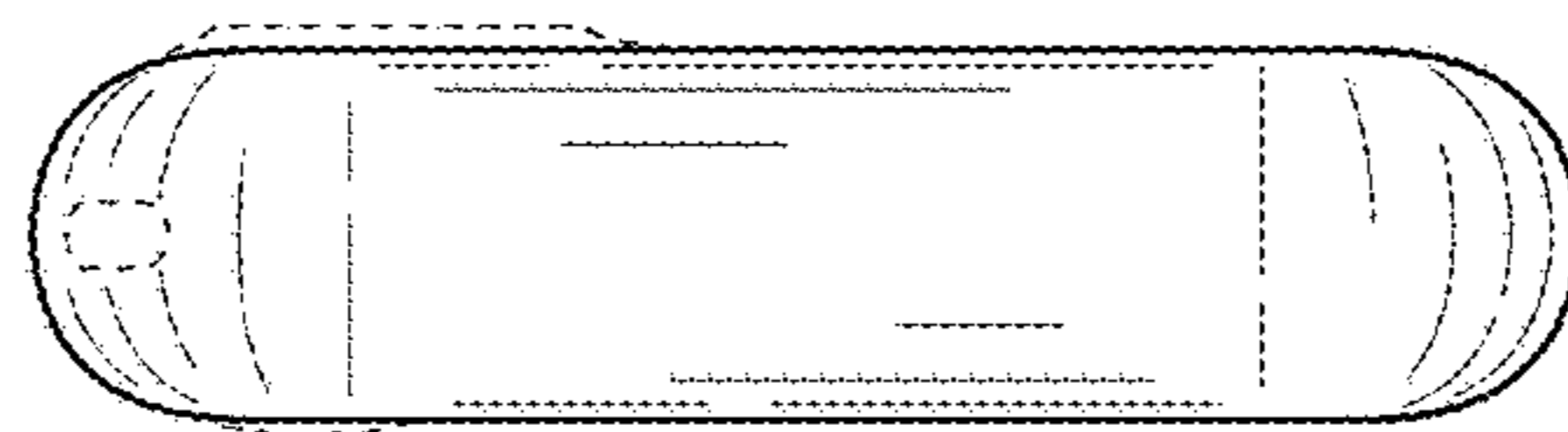


FIG. 7

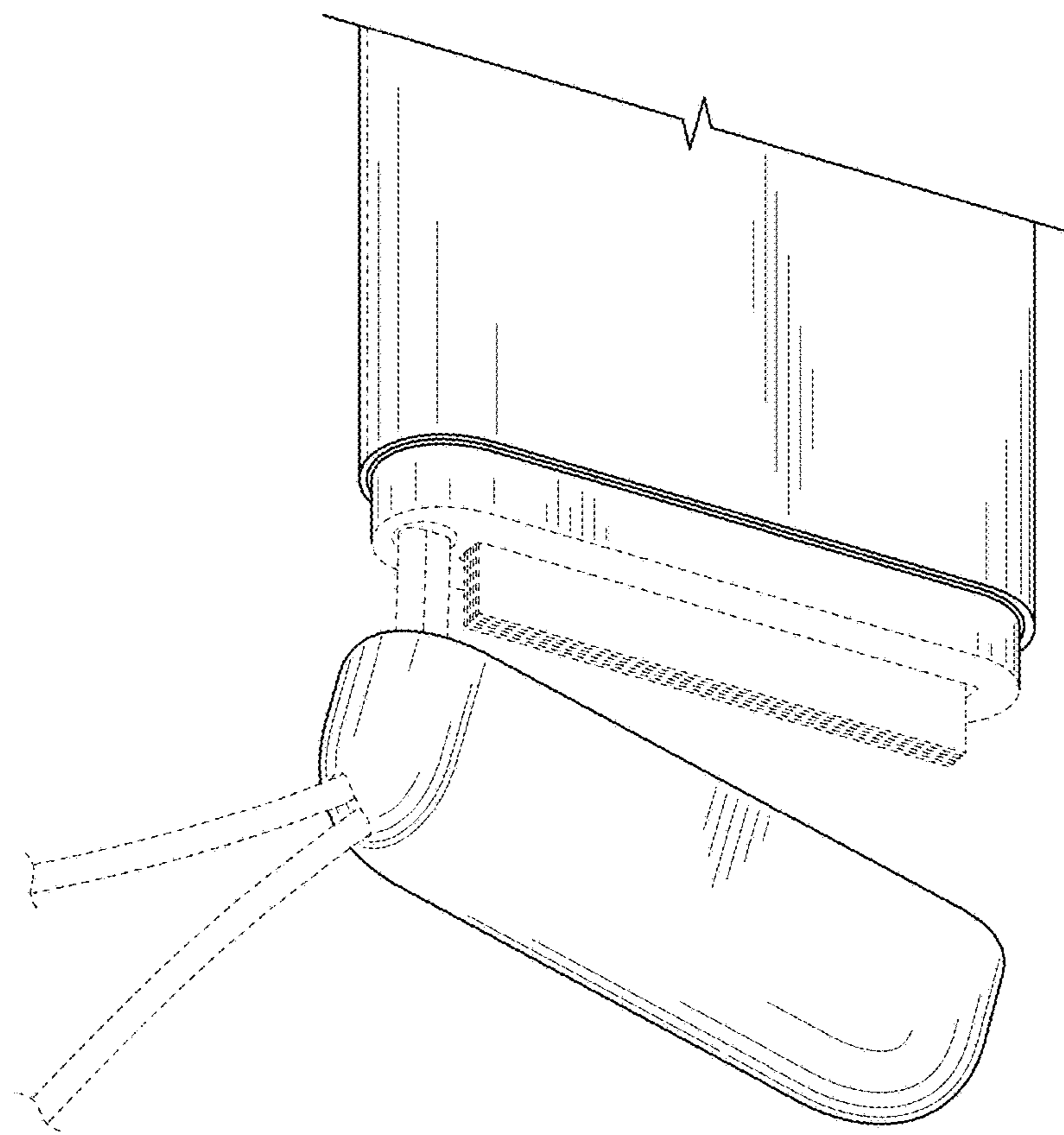


FIG. 8

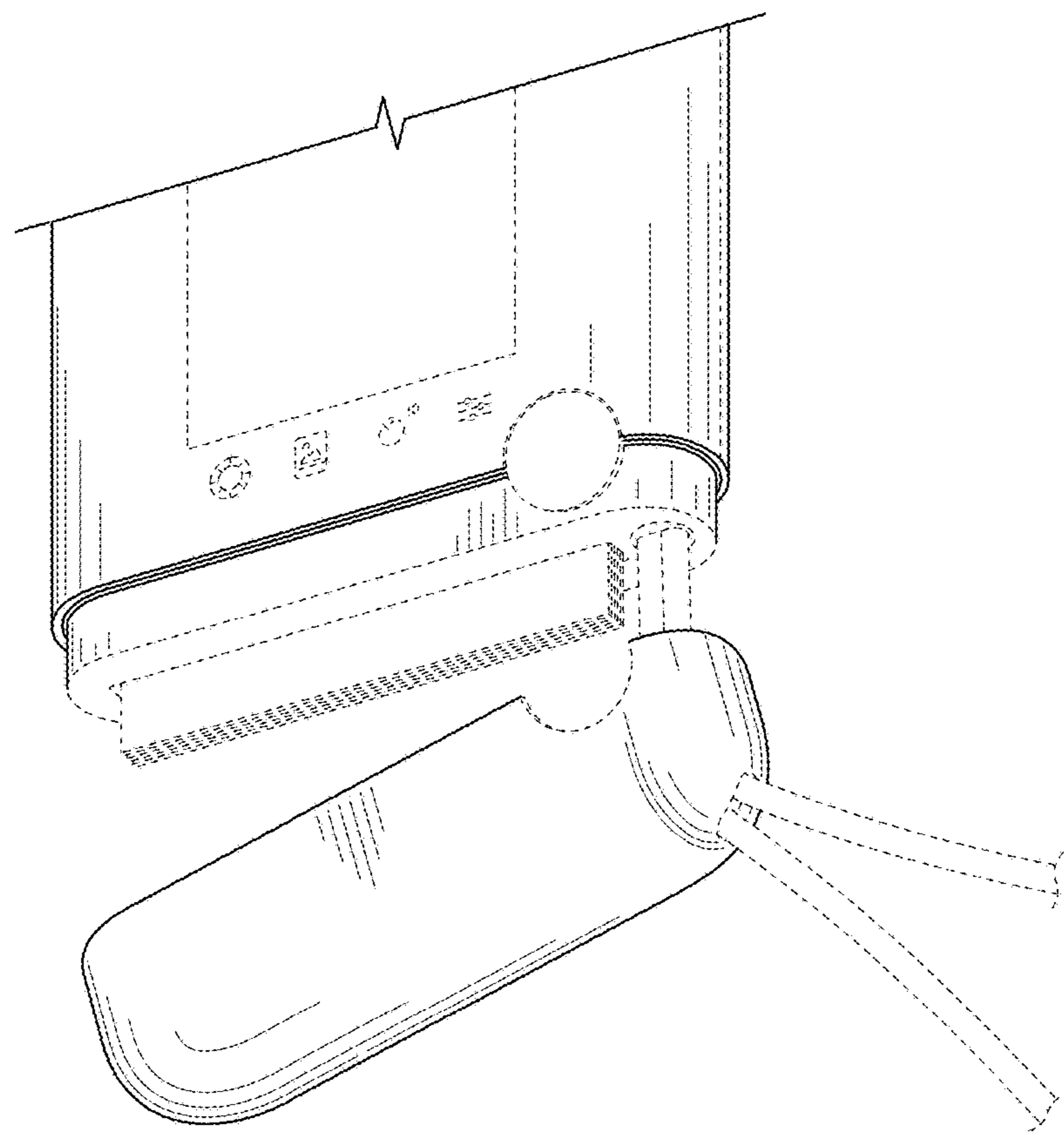


FIG. 9