



US00D838761S

(12) **United States Design Patent**
Nishizawa et al.

(10) **Patent No.:** **US D838,761 S**
(45) **Date of Patent:** **** Jan. 22, 2019**

(54) **CAMERA**

(71) Applicant: **TOMY COMPANY, LTD.**, Tokyo (JP)

(72) Inventors: **Kei Nishizawa**, Tokyo (JP); **Masahiro Dohi**, Tokyo (JP)

(73) Assignee: **TOMY COMPANY, LTD.**, Tokyo (JP)

(**) Term: **15 Years**

(21) Appl. No.: **29/618,800**

(22) Filed: **Sep. 25, 2017**

(30) **Foreign Application Priority Data**

Jun. 7, 2017 (JP) 2017-012237

(51) **LOC (11) Cl.** **16-01**

(52) **U.S. Cl.**
USPC **D16/211**

(58) **Field of Classification Search**

USPC D16/200–208, 211, 212, 214, 218, 219,
D16/221, 232, 235, 242; D14/229, 251,
D14/423, 447; 348/14.01–14.06, 143,
348/148, 373–376; 396/419, 427, 430,
396/431, 535, 539–541

CPC G03B 17/02; G03B 19/04; G03B 17/56;
G03B 17/04; G03B 15/03; H04N 5/2251;
H04N 5/2252; H04N 5/2253; H04N
5/2254; H04N 2007/145; H04N 7/141;
H04N 7/142; H04N 7/147; H04N 7/148;
H04N 7/15; H04N 7/152

See application file for complete search history.

(56) **References Cited**

U.S. PATENT DOCUMENTS

D348,684 S * 7/1994 Shiiba D16/211
6,072,600 A * 6/2000 Wertsberger H04N 1/00127
358/400

D454,146 S * 3/2002 Mori D16/202
D463,812 S * 10/2002 Brickus D16/211
D466,538 S * 12/2002 Layton D16/200
D470,522 S * 2/2003 Friedrichs D16/208
D543,569 S * 5/2007 Clark D16/211
D614,223 S * 4/2010 Kim D16/202
D624,107 S * 9/2010 Goldenberg D14/138 G
D672,798 S * 12/2012 Leanza D16/130
D709,937 S * 7/2014 Goldenberg D16/135
D747,387 S * 1/2016 Swen D16/211
D818,516 S * 5/2018 Yamakose D16/211

* cited by examiner

Primary Examiner — Philip S Hyder

Assistant Examiner — Ramzi S Almatrahi

(74) *Attorney, Agent, or Firm* — Staas & Halsey LLP

(57) **CLAIM**

The ornamental design for a camera, as shown.

DESCRIPTION

FIG. 1 is a front elevation view of a camera showing our new design;

FIG. 2 is a left side elevation view thereof;

FIG. 3 is a rear elevation view thereof;

FIG. 4 is a right side elevation view thereof;

FIG. 5 is a top plan view thereof;

FIG. 6 is a bottom plan view thereof;

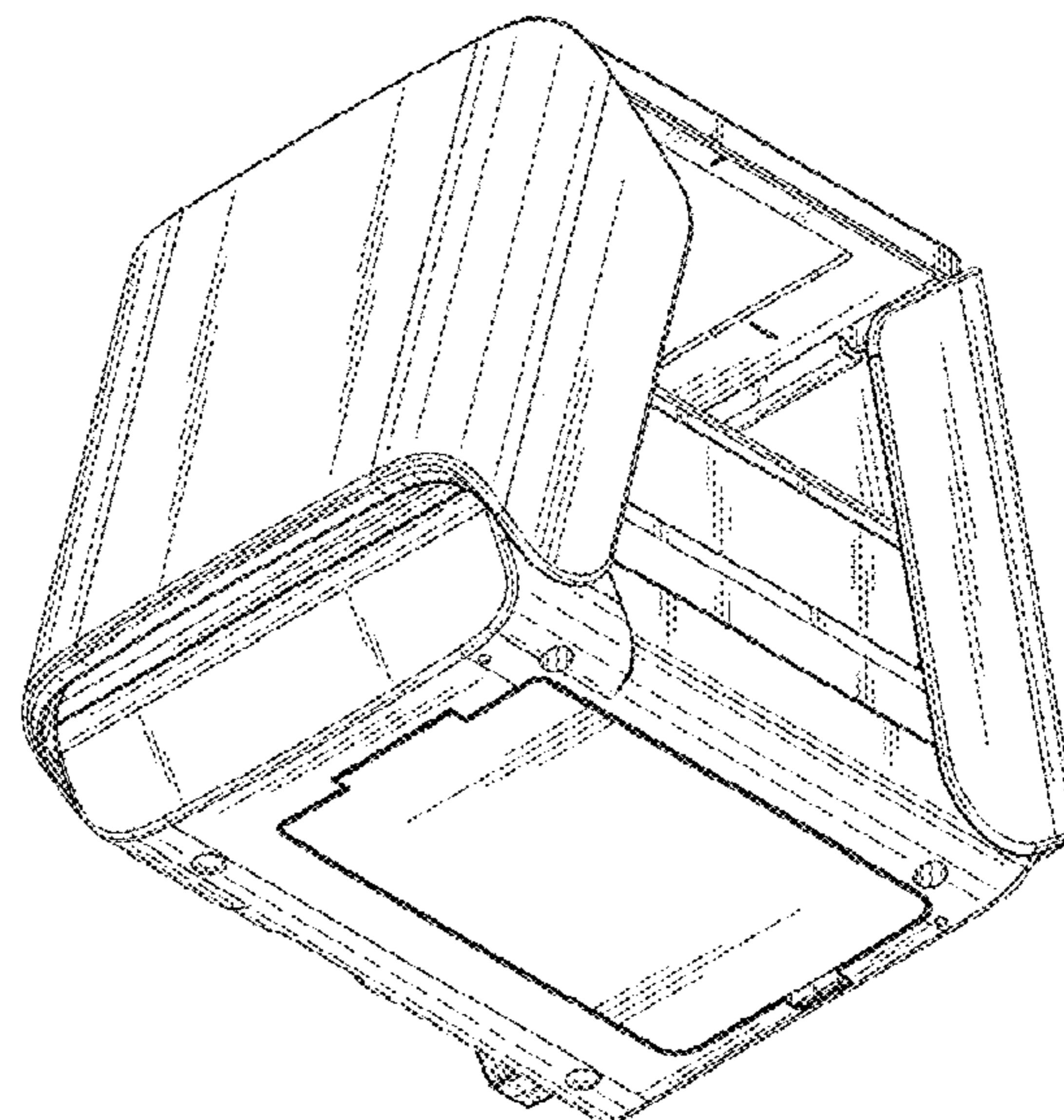
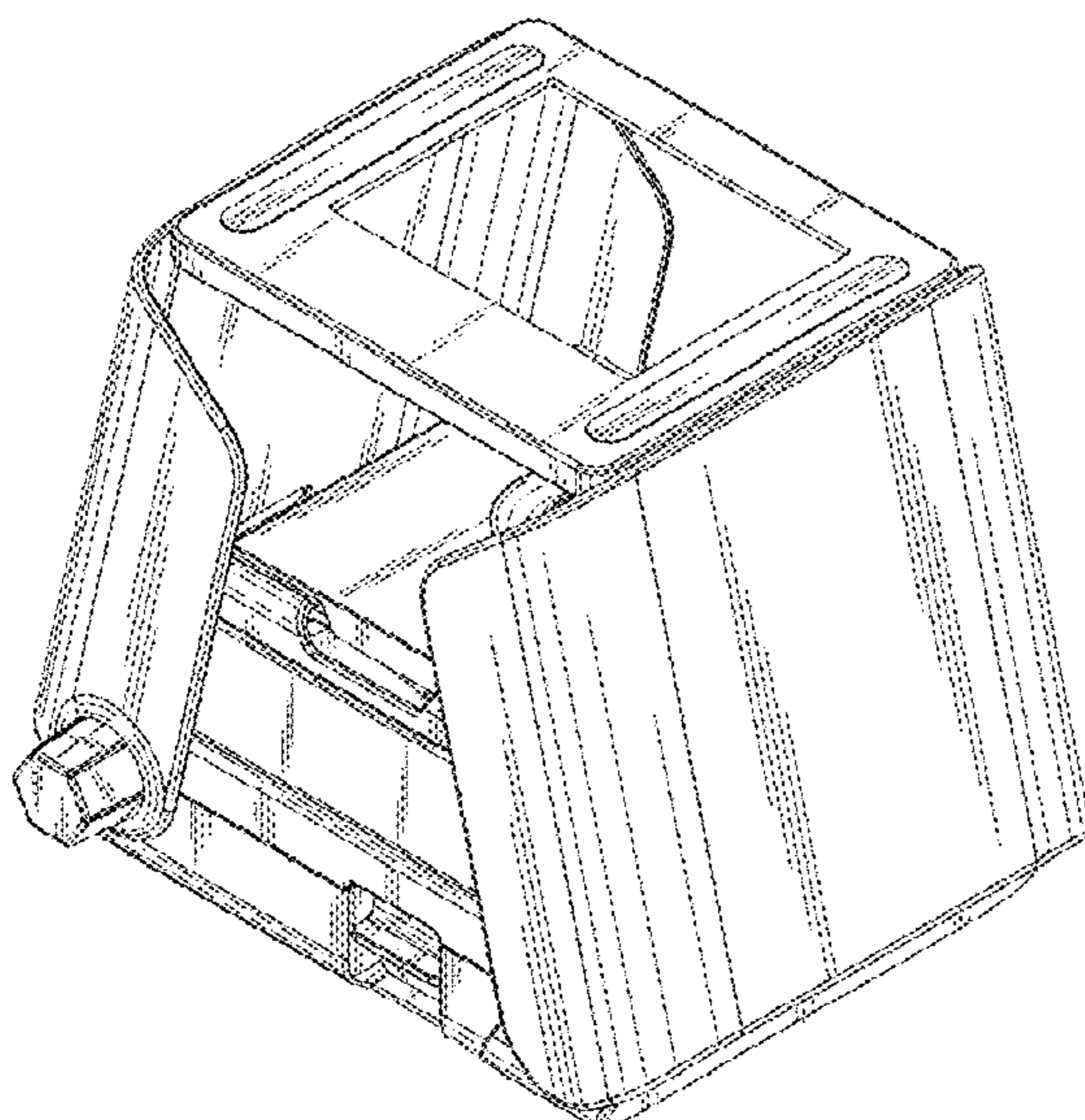
FIG. 7 is a top, front and right side perspective view thereof;

FIG. 8 is a bottom, rear and right side perspective view thereof;

FIG. 9 is a top, front and left side perspective view thereof, showing the camera in a folded configuration; and,

FIG. 10 is a bottom, rear and right side perspective view thereof.

1 Claim, 10 Drawing Sheets



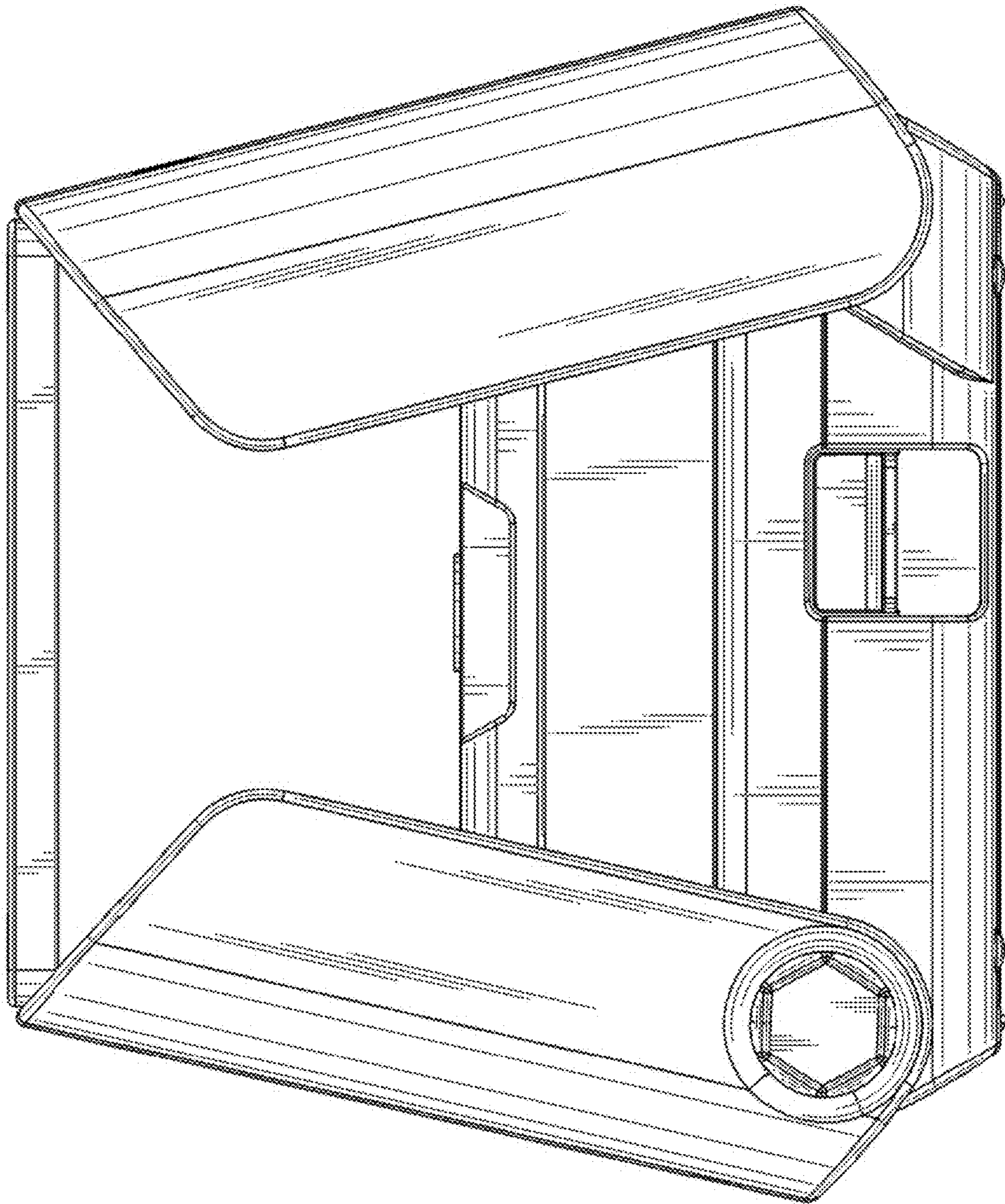


FIG. 1

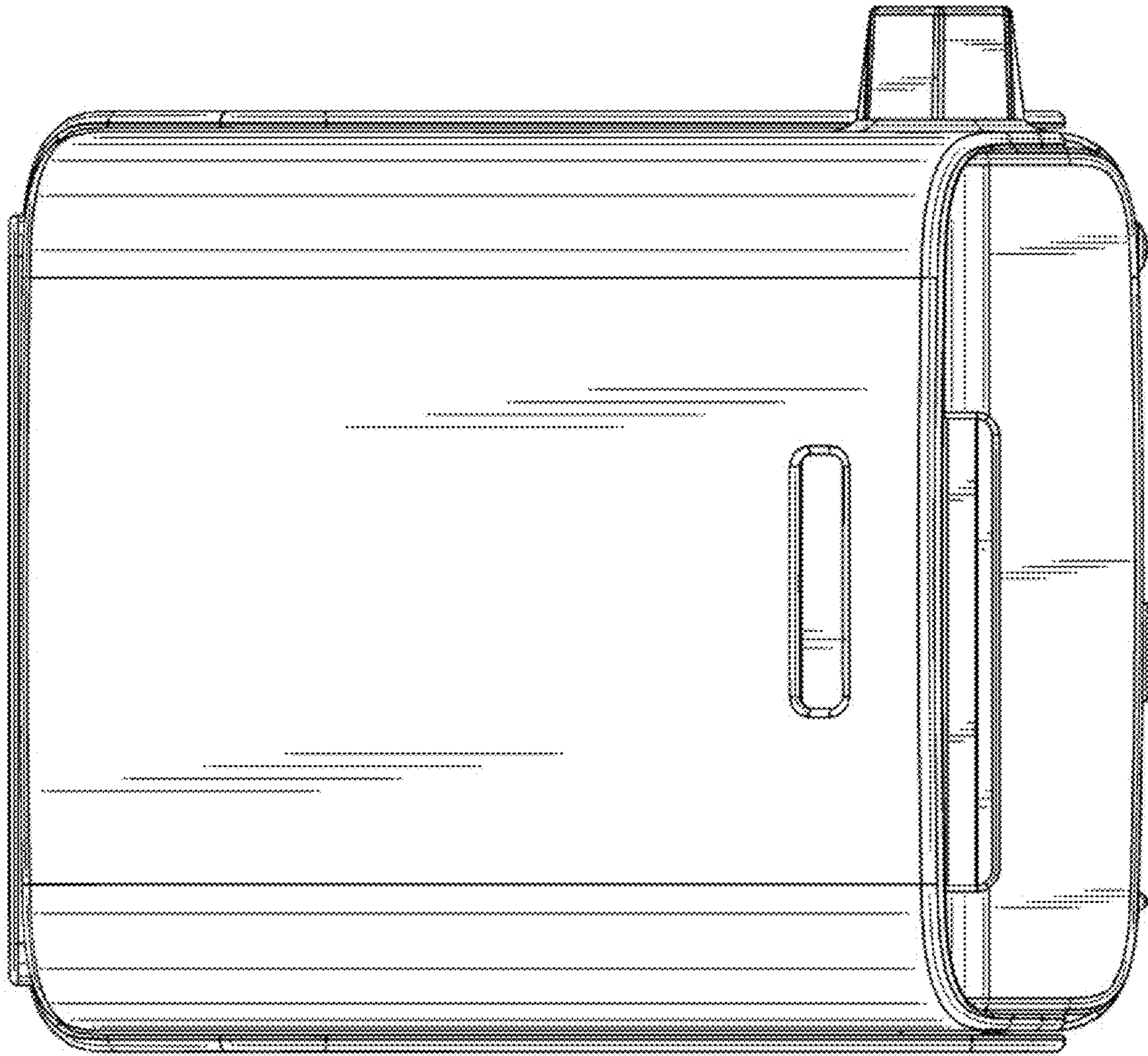


FIG. 2

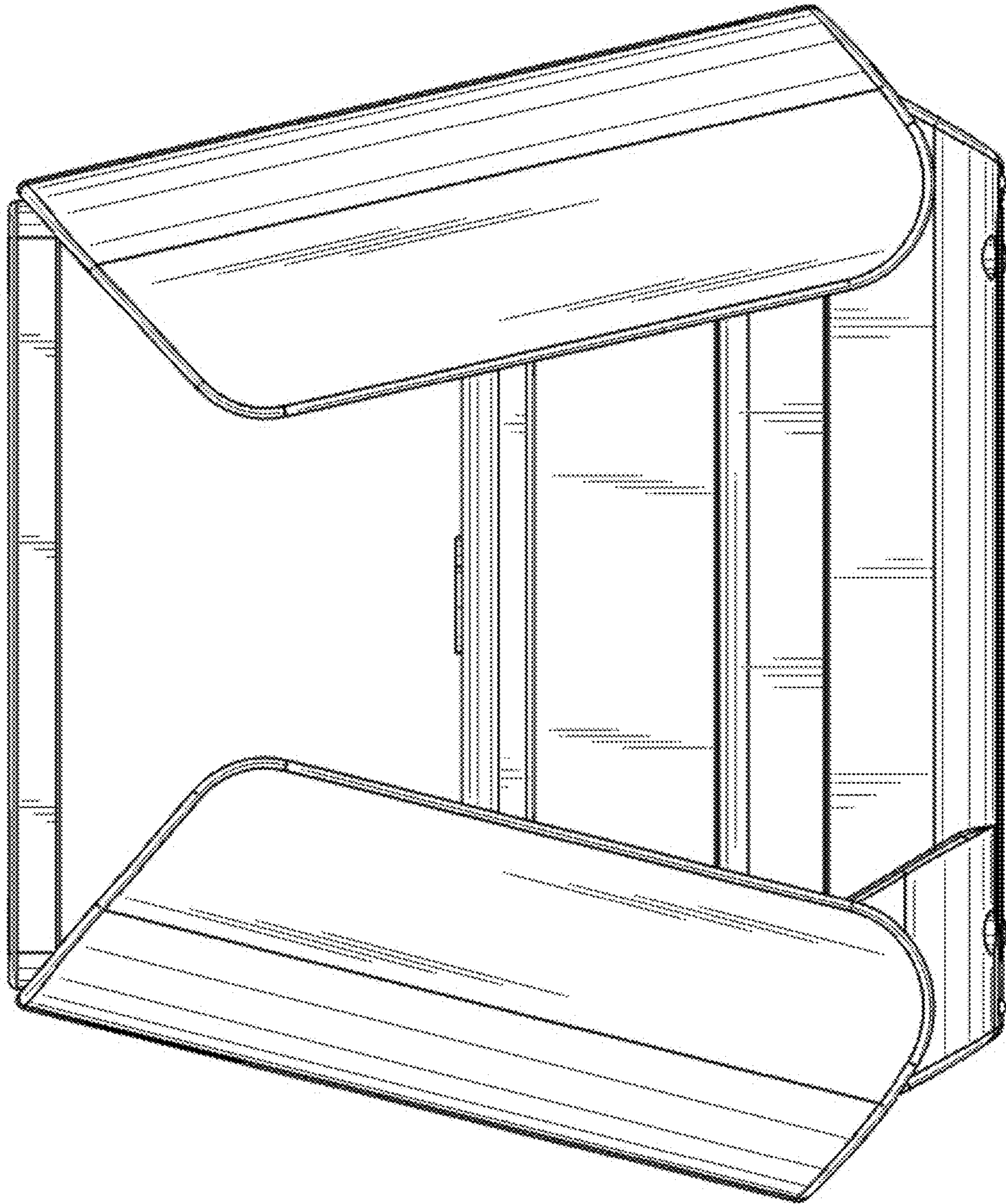


FIG. 3

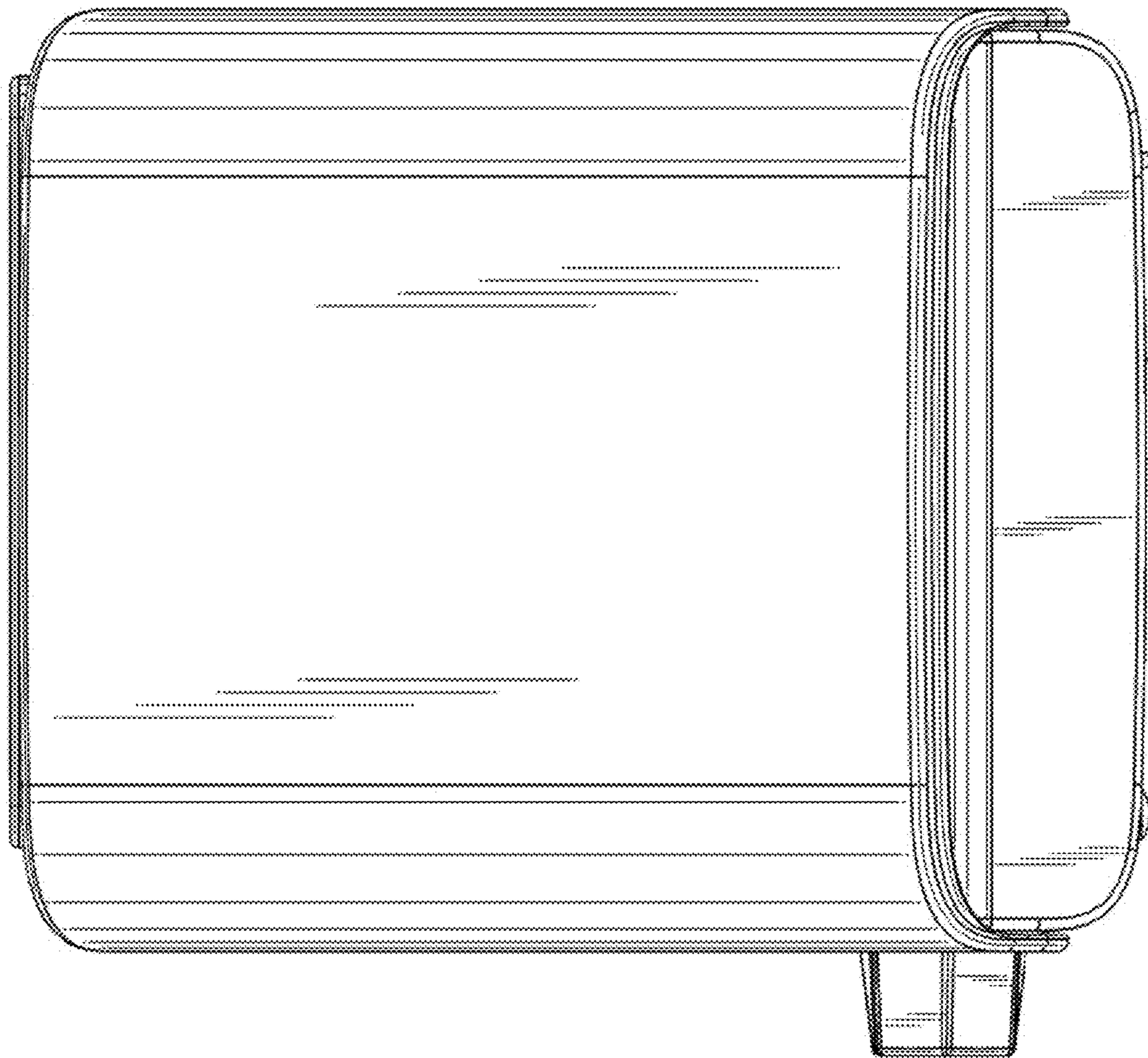


FIG. 4

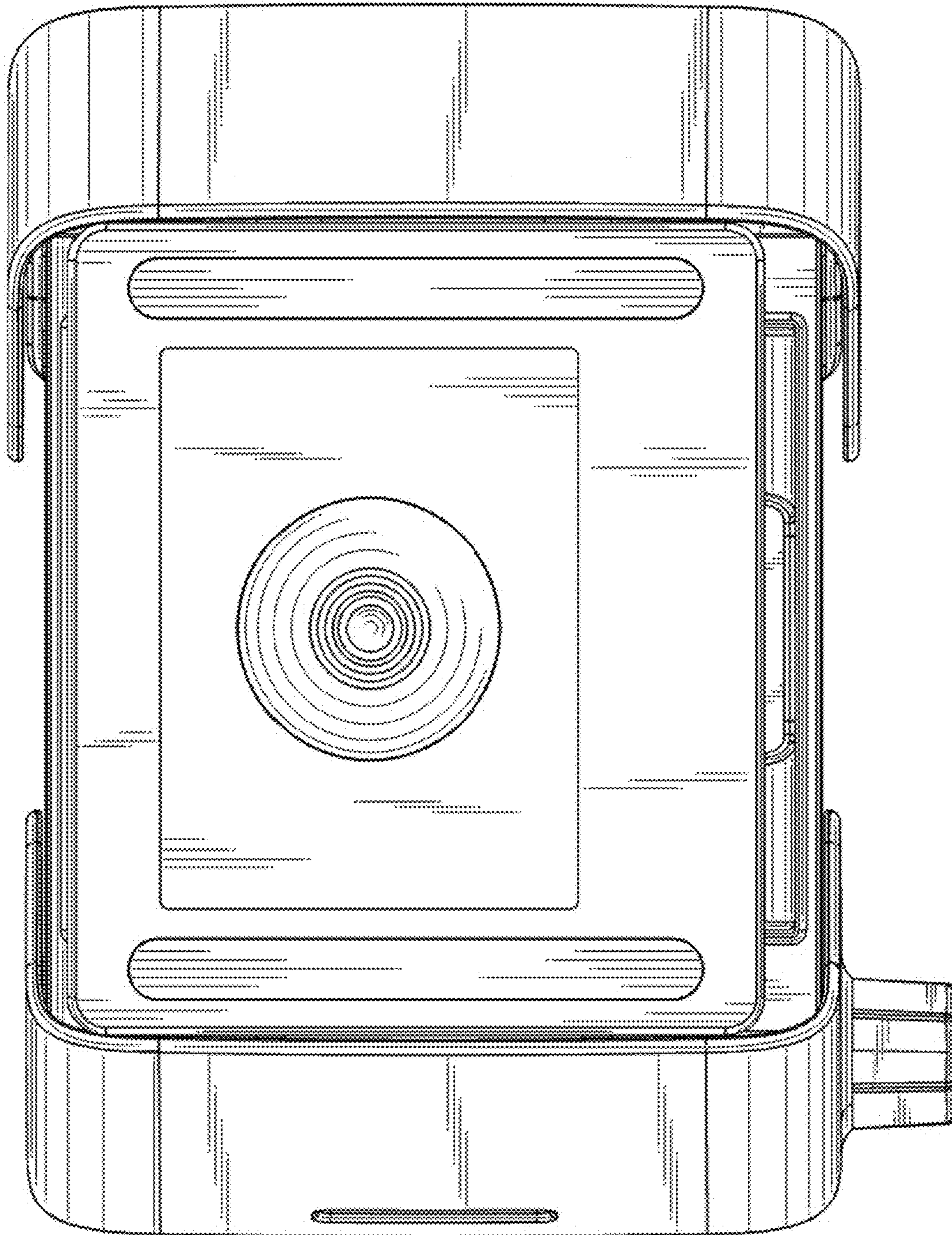


FIG. 5

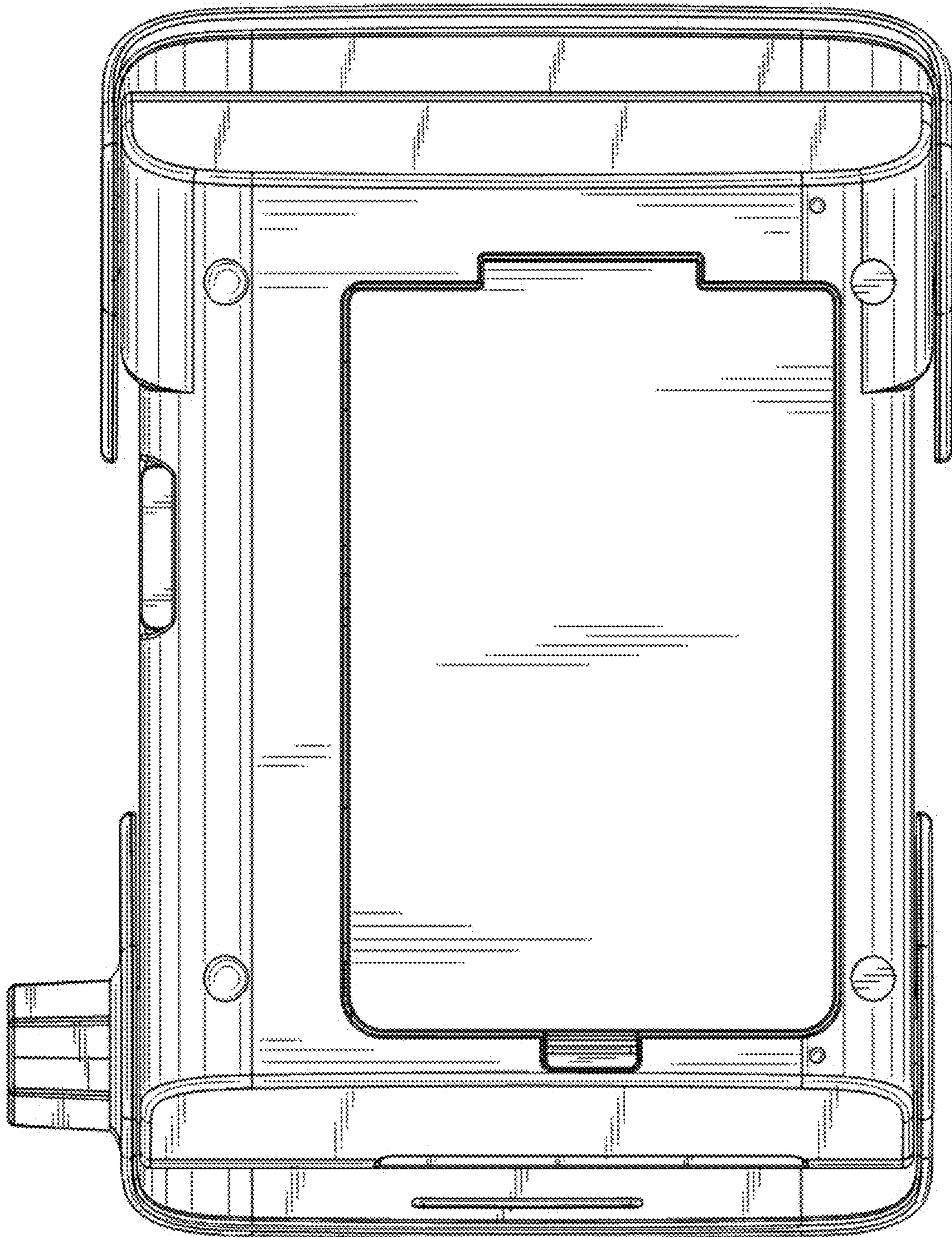


FIG. 6

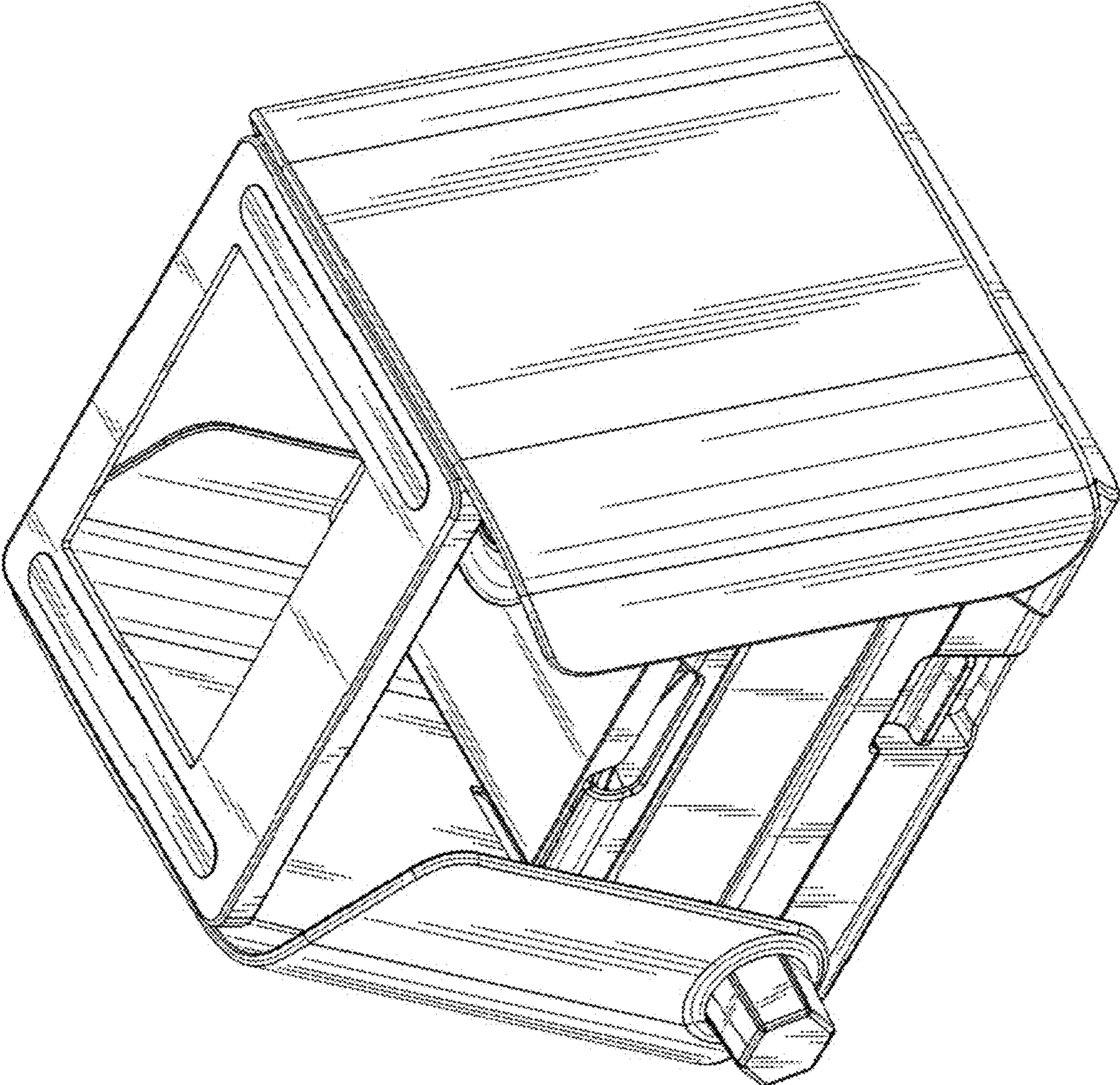


FIG. 7

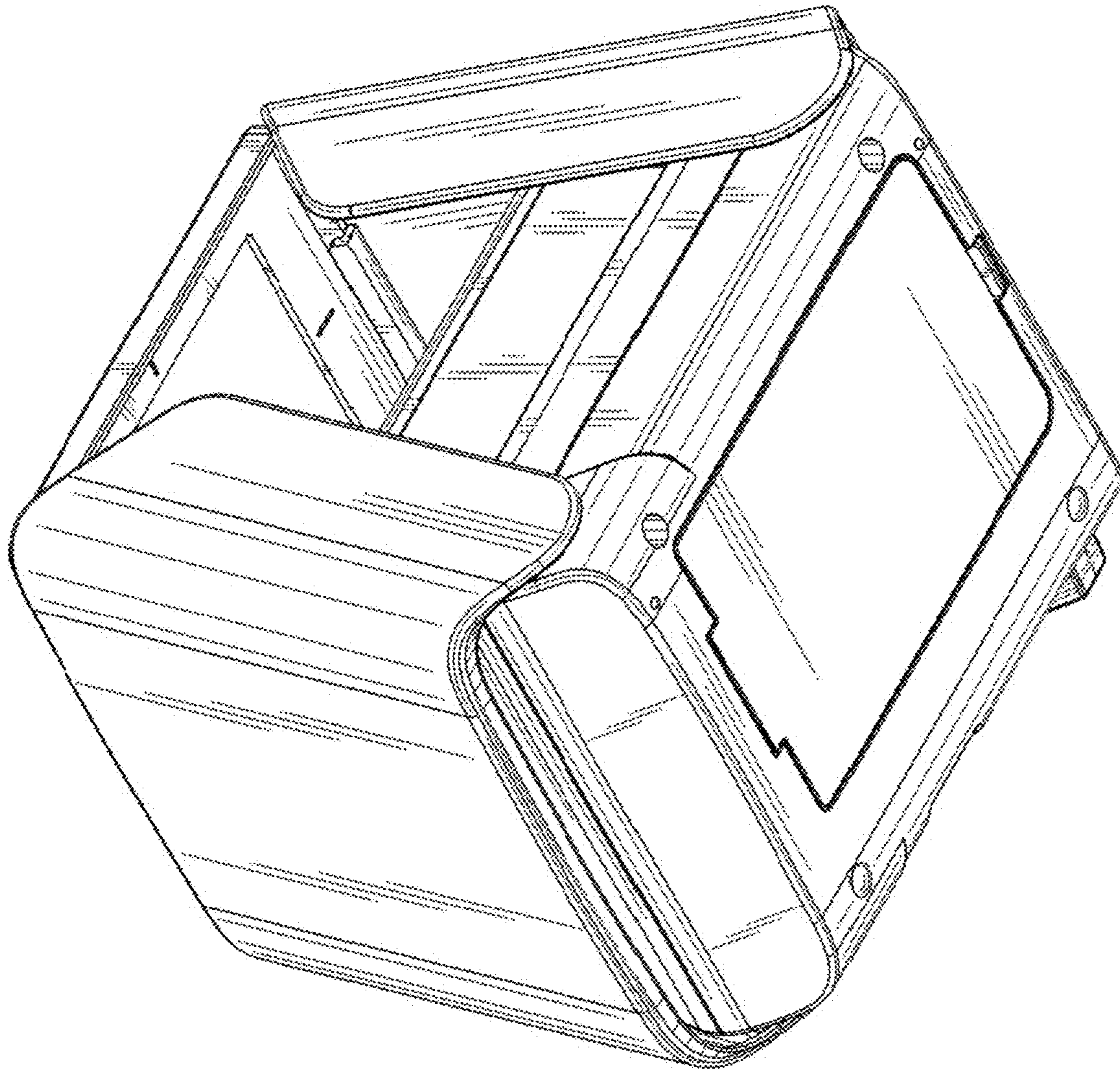


FIG. 8

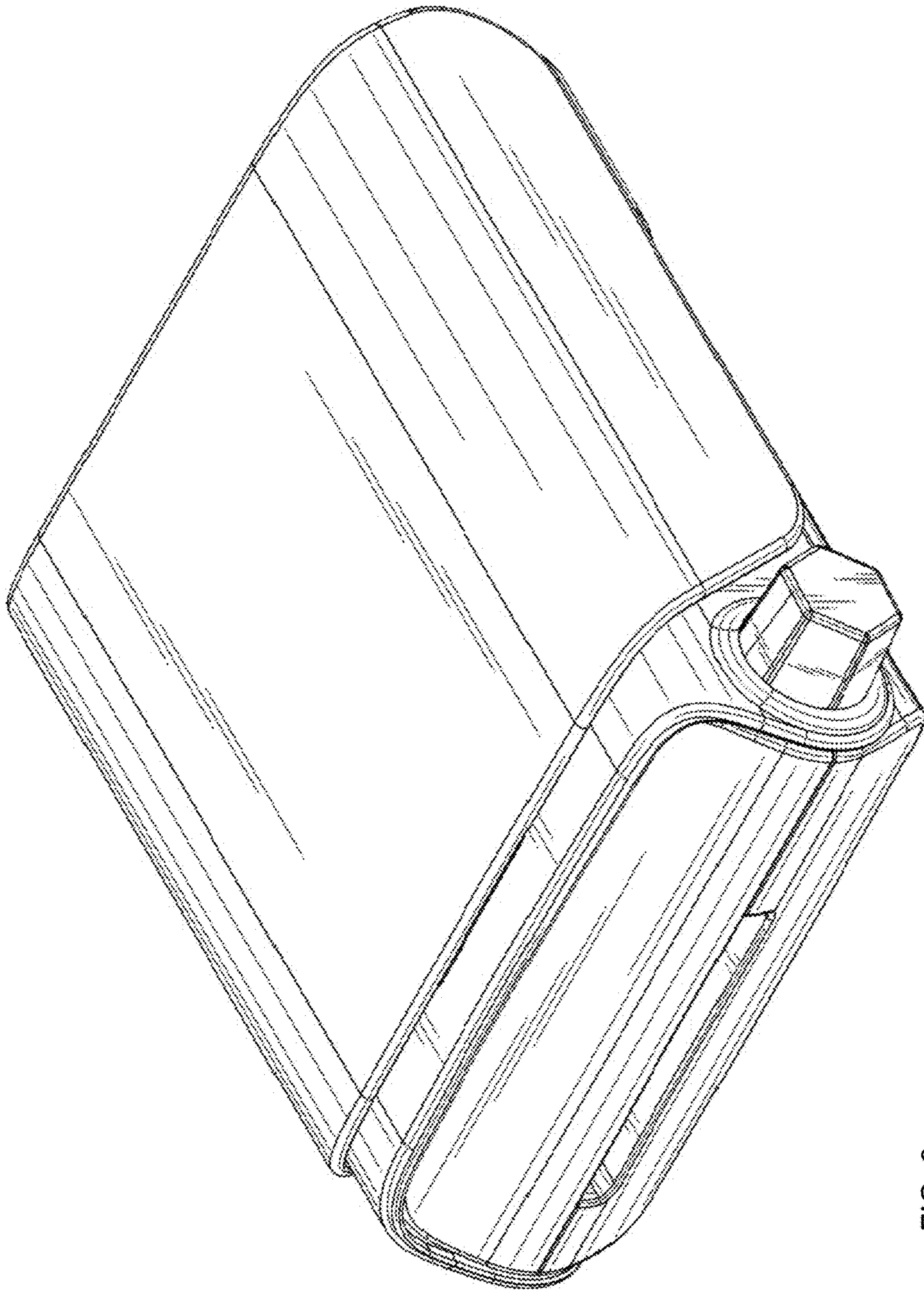


FIG. 9



FIG. 10