



US00D838760S

(12) **United States Design Patent** (10) **Patent No.:** **US D838,760 S**
Ahman et al. (45) **Date of Patent:** **** Jan. 22, 2019**

(54) **MONITORING CAMERA**

(71) Applicant: **Axis AB**, Lund (SE)

(72) Inventors: **Daniel Ahman**, Lomma (SE); **Erik Gustafsson**, Lund (SE); **Mathias Walter**, Arlov (SE); **Morten Bergstrom**, Lund (SE); **Stefan Moller**, Helsingborg (SE); **Gustav Aronsson**, Malmo (SE); **Jonas Lellky**, Veberod (SE); **Mattias Bognas**, Malmo (SE)

(73) Assignee: **AXIS AB**, Lund (SE)

(**) Term: **15 Years**

(21) Appl. No.: **29/619,537**

(22) Filed: **Sep. 29, 2017**

Related U.S. Application Data

(62) Division of application No. 29/579,326, filed on Sep. 29, 2016, now Pat. No. Des. 815,176.

(30) **Foreign Application Priority Data**

Mar. 31, 2016 (EM) 003050210

(51) **LOC (11) Cl.** **16-01**

(52) **U.S. Cl.**
USPC **D16/203**

(58) **Field of Classification Search**

USPC D16/200–220, 242, 238; D2/872, 893; D26/24, 36, 72, 79, 123, 118, 152; D10/104.1, 104.2, 106.1, 106.2, 106.5, D10/50; D9/548, 549, 428, 781, 782, D9/783, 574, 430, 431; D29/109–110, D29/122
CPC H04N 7/181; H04N 7/183; H04N 7/18; H04N 5/23248; H04N 5/23287; H04N 5/23258; H04N 5/2251; H04N 5/2252; H04N 2007/145; G03B 11/025; G03B 15/00; G03B 17/56; G03B 17/02; G03B 17/30; G03B 17/04; G03B 17/00; G03B

(Continued)

(56) **References Cited**

U.S. PATENT DOCUMENTS

D222,955 S * 2/1972 Krumin et al. D16/202
D223,360 S * 4/1972 Ortega et al. D16/200
(Continued)

FOREIGN PATENT DOCUMENTS

BR D17001473-0001 11/2010
CN 302661768 11/2013

(Continued)

OTHER PUBLICATIONS

Axis Positioning Cameras, announced Feb. 6, 2017 [online], [site visited Aug. 4, 2017], Available from Internet, URL: <<http://www.ind-safety.com/axis-launches-new-range-positioning-cameras-enhanced-responsiveness-wide-area-surveillance/>>.

Primary Examiner — Barbara Fox

Assistant Examiner — Mary C Ramirez

(74) *Attorney, Agent, or Firm* — Volpe and Koenig, P.C.

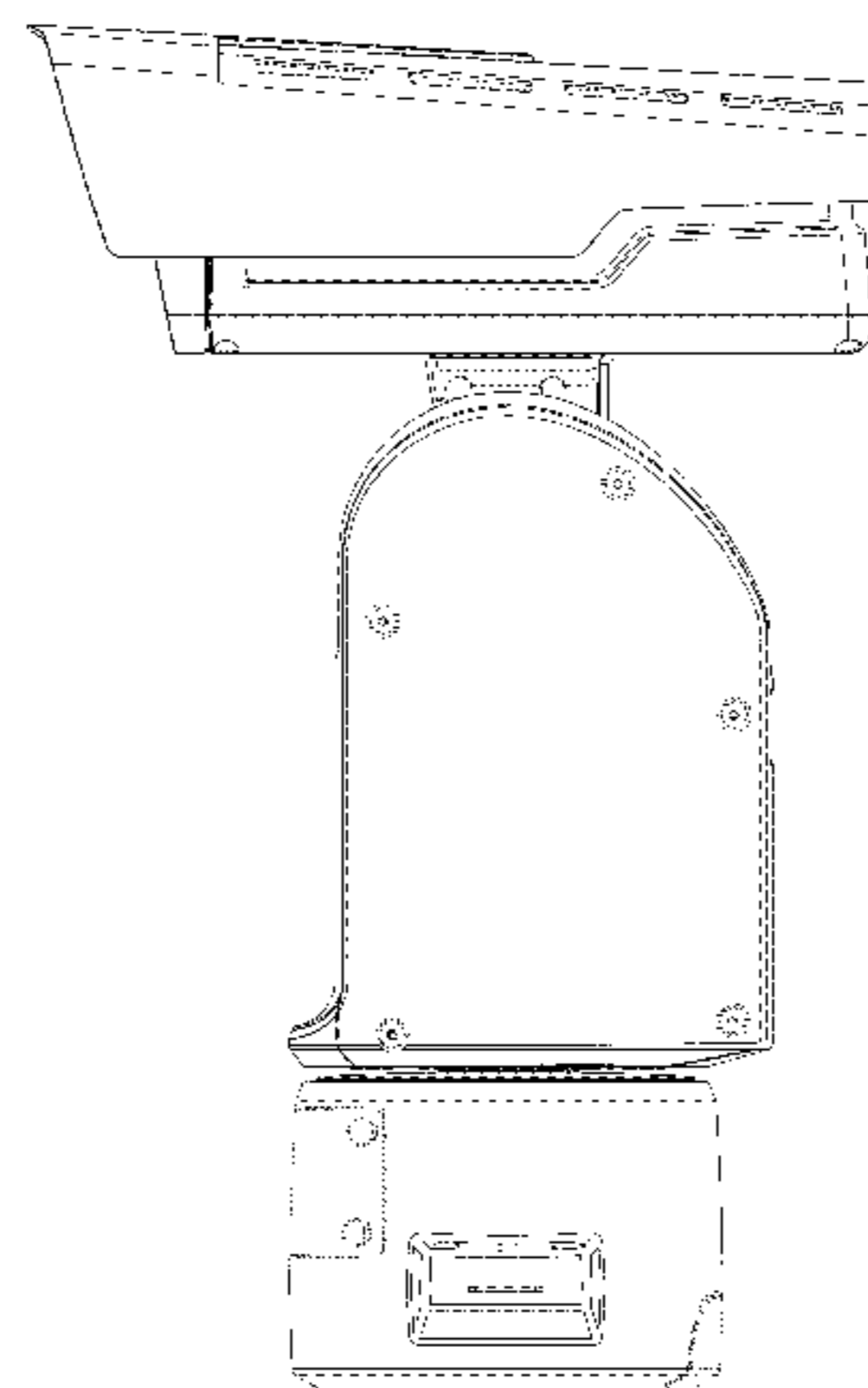
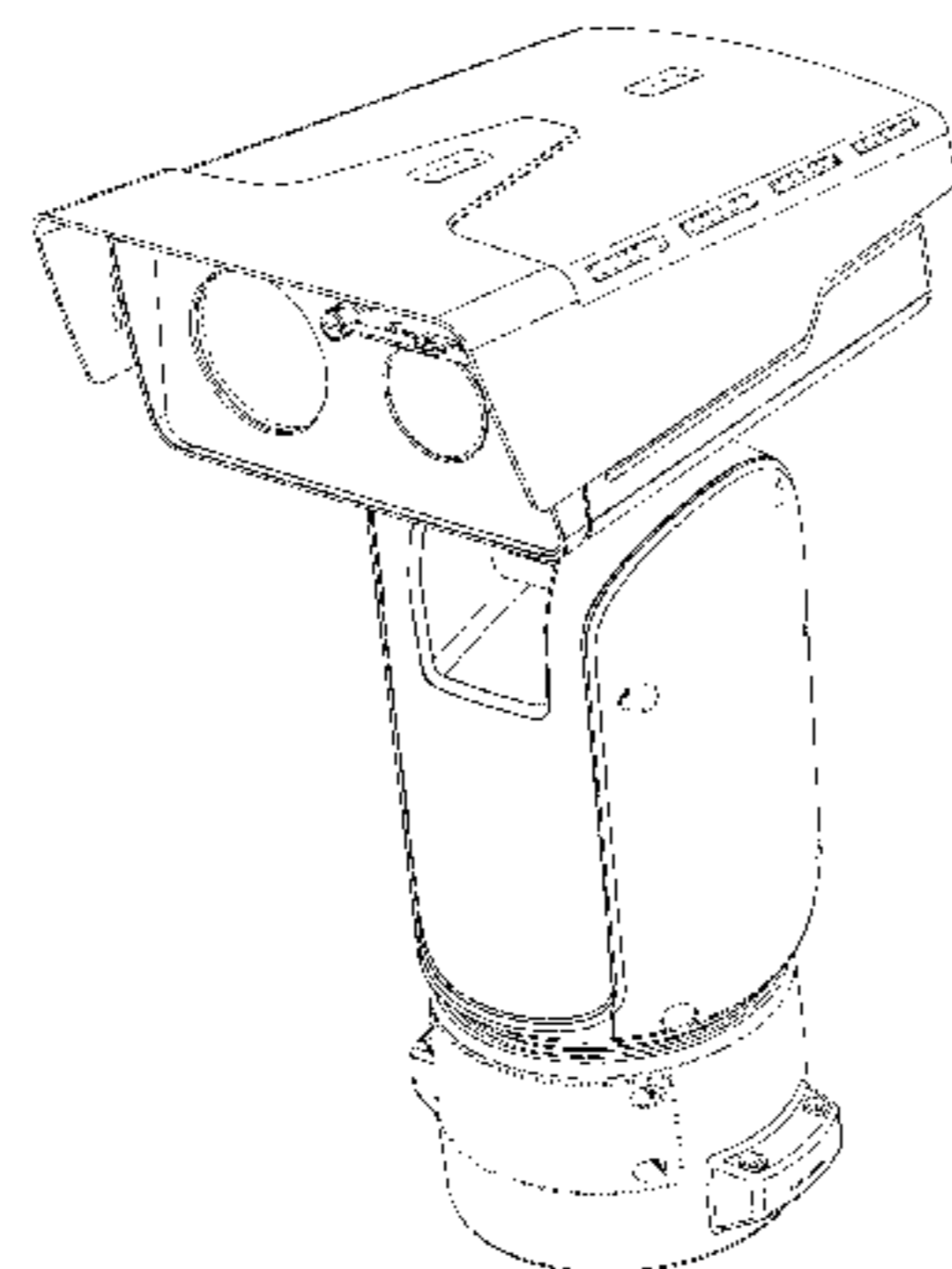
(57) **CLAIM**

We claim the ornamental design for a monitoring camera, as shown and described.

DESCRIPTION

FIG. 1 is a top, front, right perspective view of a monitoring camera in accordance with our design; FIG. 2 is a top plan view thereof; FIG. 3 is a front elevational view thereof; FIG. 4 is a left side elevational view thereof; FIG. 5 is a right side elevational view thereof; FIG. 6 is a bottom plan view thereof; and, FIG. 7 is a rear elevational view thereof. The broken lines depict portions of the monitoring camera that form no part of the claimed design.

1 Claim, 7 Drawing Sheets



US D838,760 S

Page 2

(58) **Field of Classification Search**

CPC 19/04; G03B 3/00; B60R 1/00; B60R
2300/105; G08B 13/19619; G08B
13/1963; G08B 13/19632; F16M 11/04;
F16M 13/00; Y02E 60/12

See application file for complete search history.

(56) **References Cited**

U.S. PATENT DOCUMENTS

D252,930 S 9/1979 Wheeler
4,293,876 A * 10/1981 Williams G08B 13/19619
348/217.1
4,414,576 A * 11/1983 Randmae H04N 5/2252
219/201
D307,915 S 5/1990 Kuester, III
D317,040 S * 5/1991 Petrucci D23/209
5,224,675 A * 7/1993 Ellenberger F16M 11/10
248/183.4
D407,408 S * 3/1999 Hoff D14/253
D452,236 S * 12/2001 Kohli D14/243
D459,379 S * 6/2002 Cheng D16/204
D472,260 S * 3/2003 Higgins D16/203
D484,160 S 12/2003 Kangasmaa
D487,914 S 3/2004 Schulze
D552,145 S 10/2007 Grotto
D553,662 S * 10/2007 Grotto D16/242
D554,170 S * 10/2007 Grotto D16/203
D574,028 S 7/2008 Vernon
D607,033 S * 12/2009 Arbuckle D16/203
D629,405 S * 12/2010 Crysell D14/447
D634,345 S * 3/2011 Kim D16/203
D634,346 S * 3/2011 Park D16/203
D634,347 S * 3/2011 Park D16/203
D637,640 S 5/2011 Park

D638,871 S * 5/2011 Bergstrom D16/203
D661,719 S 6/2012 Katori
D671,157 S 11/2012 Richardson
D679,308 S * 4/2013 Park D16/203
D684,619 S 6/2013 Chapple
D691,187 S 10/2013 Seo
D721,756 S * 1/2015 Hallstrom D16/203
9,004,785 B1 * 4/2015 Mohan G03B 17/561
348/143
D731,574 S * 6/2015 Hallstrom D16/203
D741,933 S 10/2015 Bergstrom
D742,259 S 11/2015 Schulze
D748,710 S * 2/2016 Bergstrom D16/203
D753,207 S 4/2016 Katori
D782,414 S 3/2017 Worthington
D784,435 S 4/2017 Katori
D803,840 S * 11/2017 Burmester D14/447
D815,176 S * 4/2018 Ahman D16/203
D818,518 S * 5/2018 Ahman D16/242

FOREIGN PATENT DOCUMENTS

CN	302726273	1/2014
CN	302781415	4/2014
CN	302830293	5/2014
CN	303655731	4/2016
CN	304006136	1/2017
EM	002344721-04	11/2012
EM	002344721-01	11/2013
EM	002344721-02	11/2013
EM	002344721-03	11/2013
JP	D1508029	9/2014
TW	D118417	8/1995
TW	D171773	11/2015
TW	D171776	11/2015

* cited by examiner

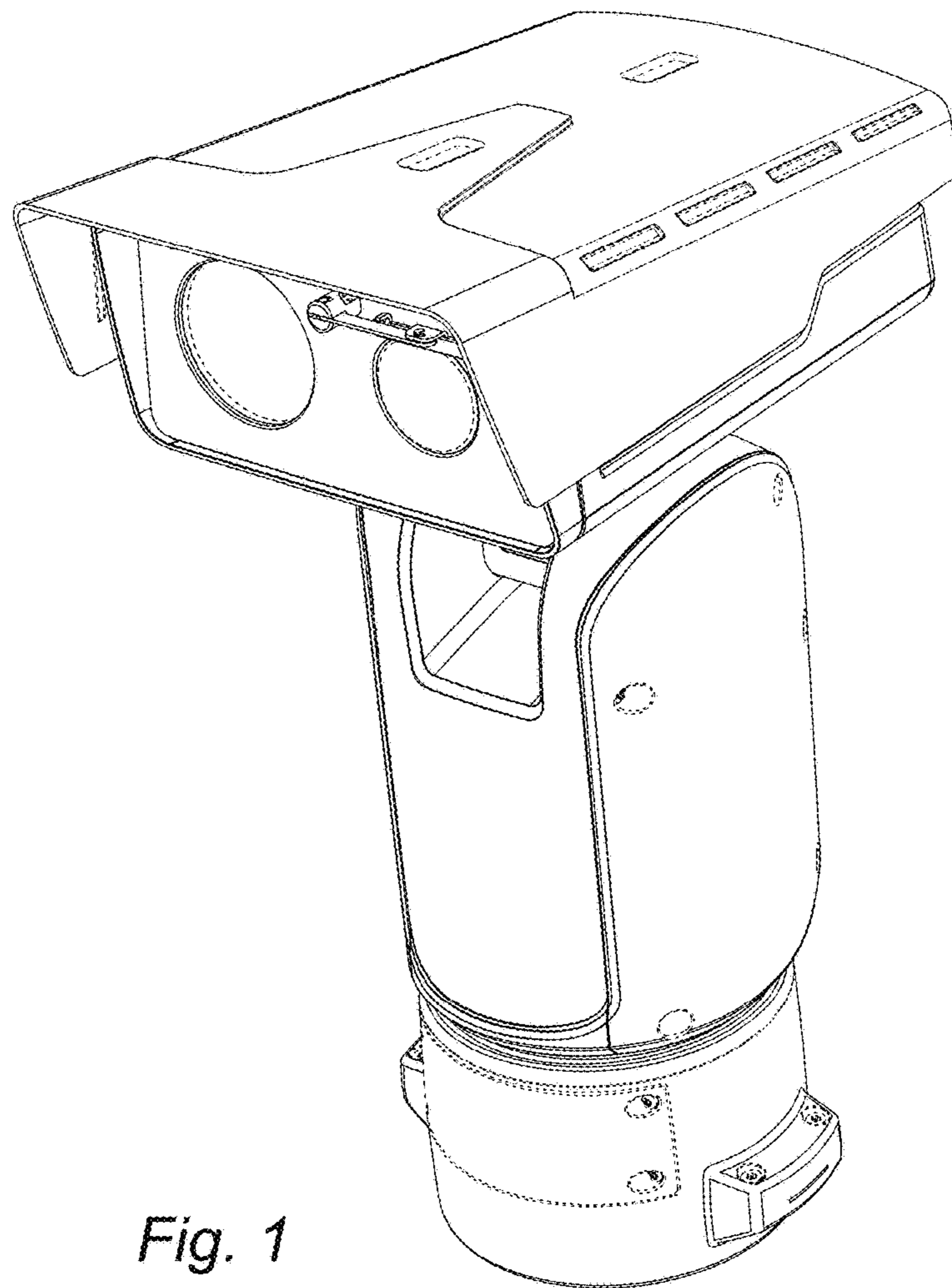


Fig. 1

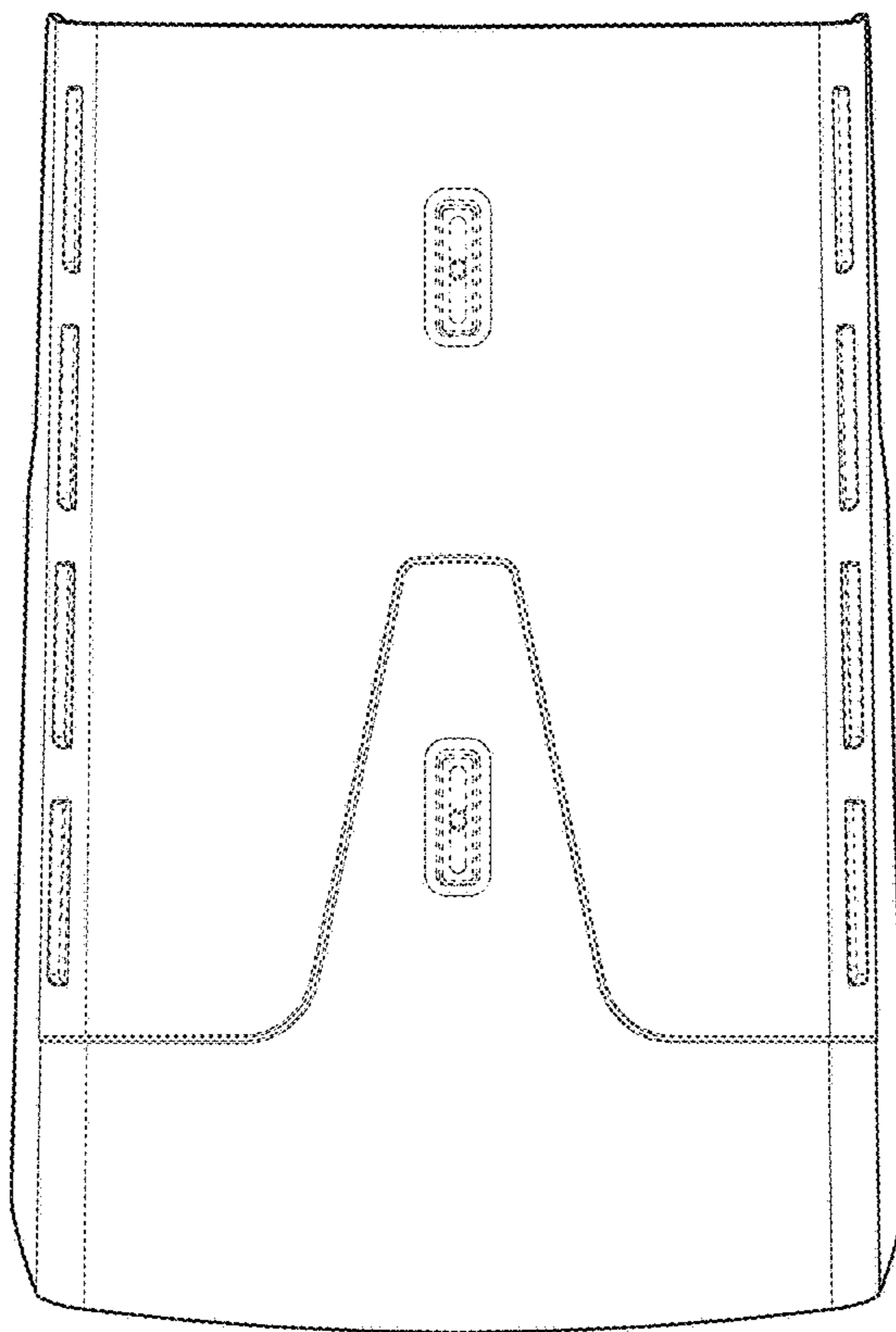


Fig. 2

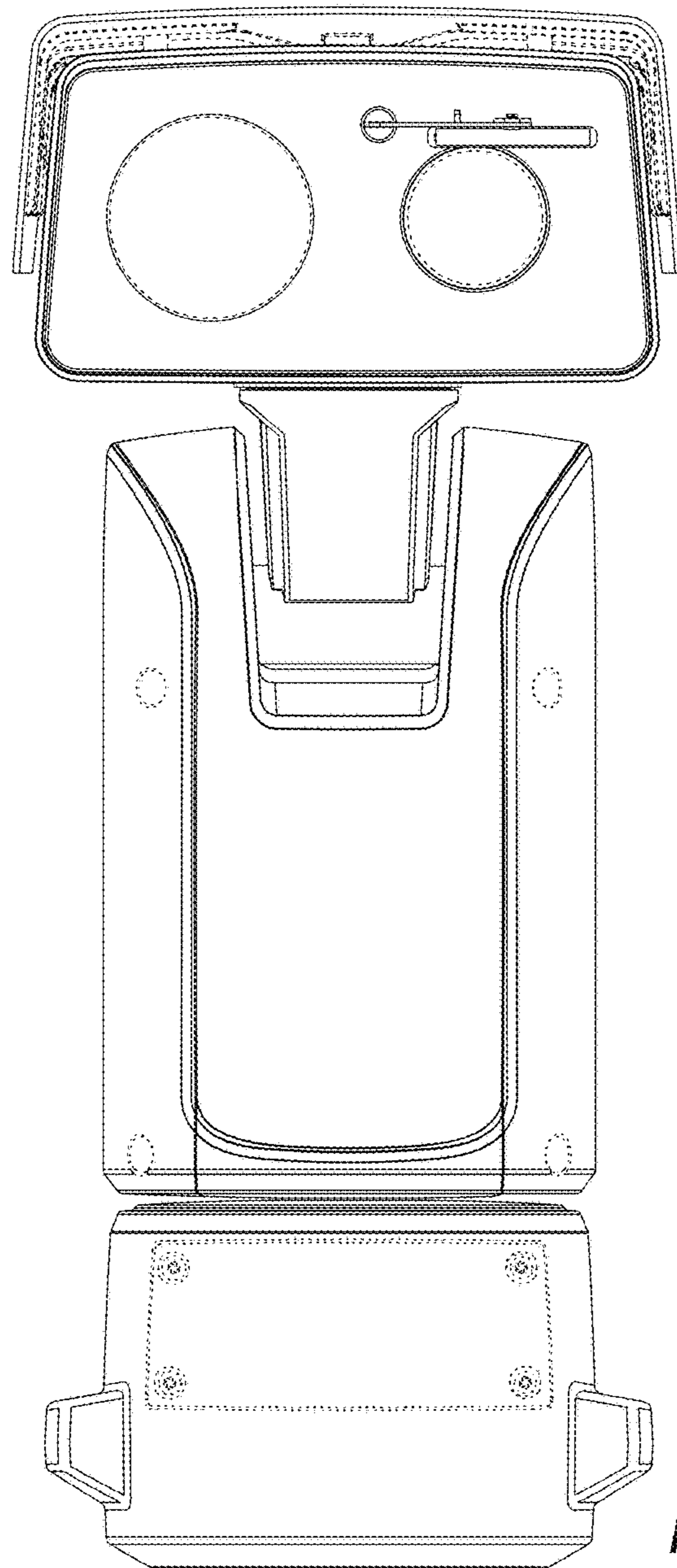


Fig. 3

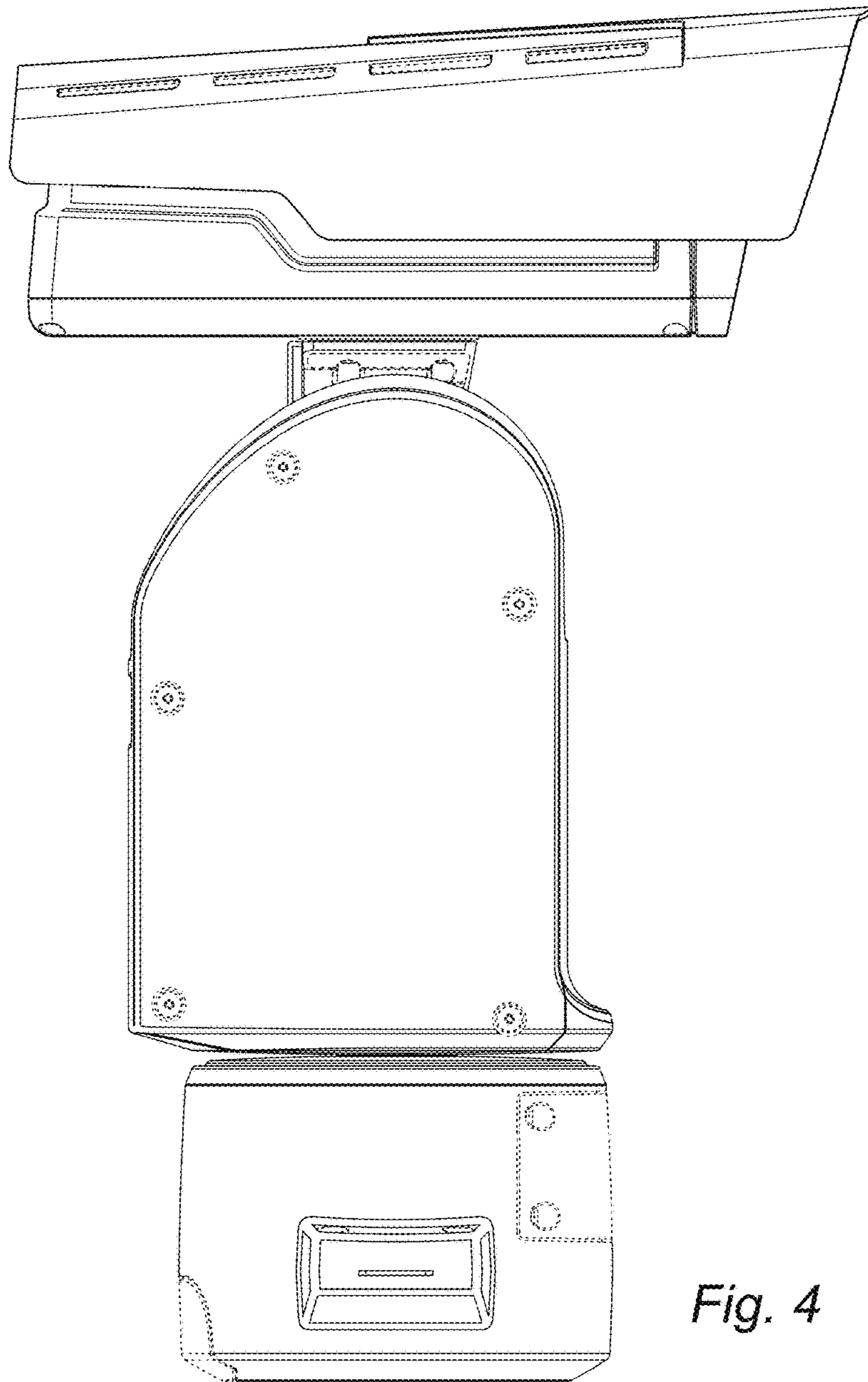


Fig. 4

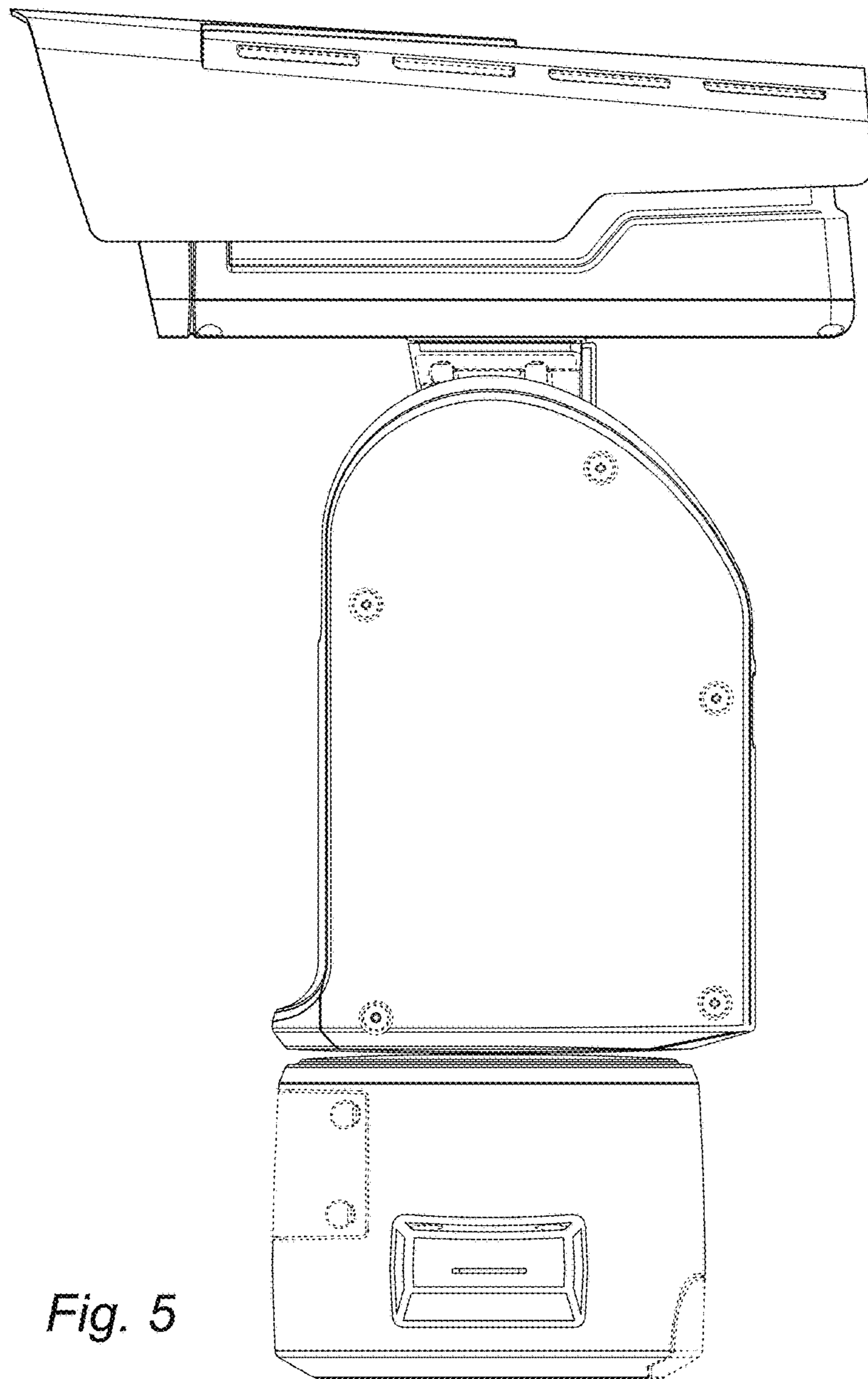


Fig. 5

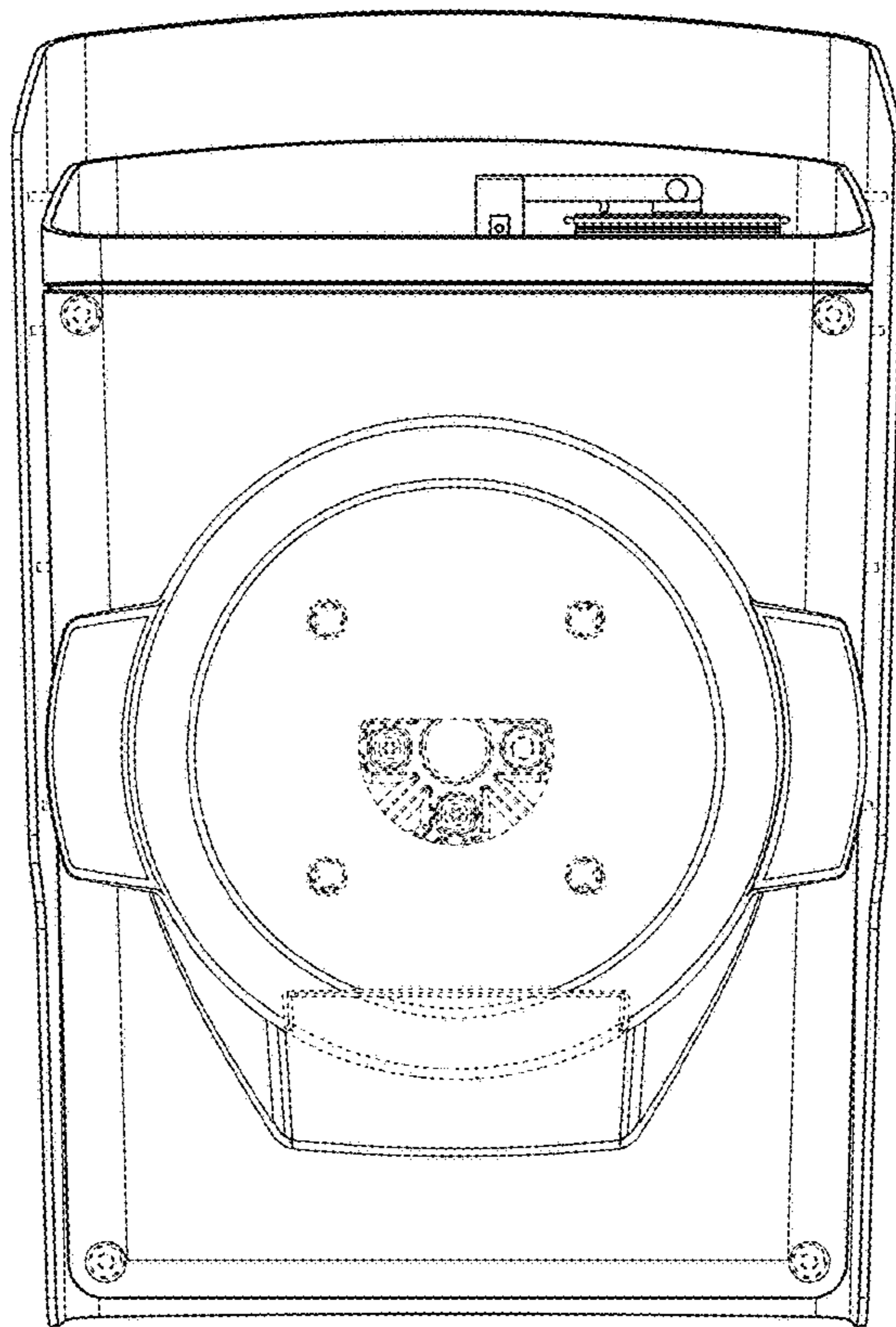


Fig. 6

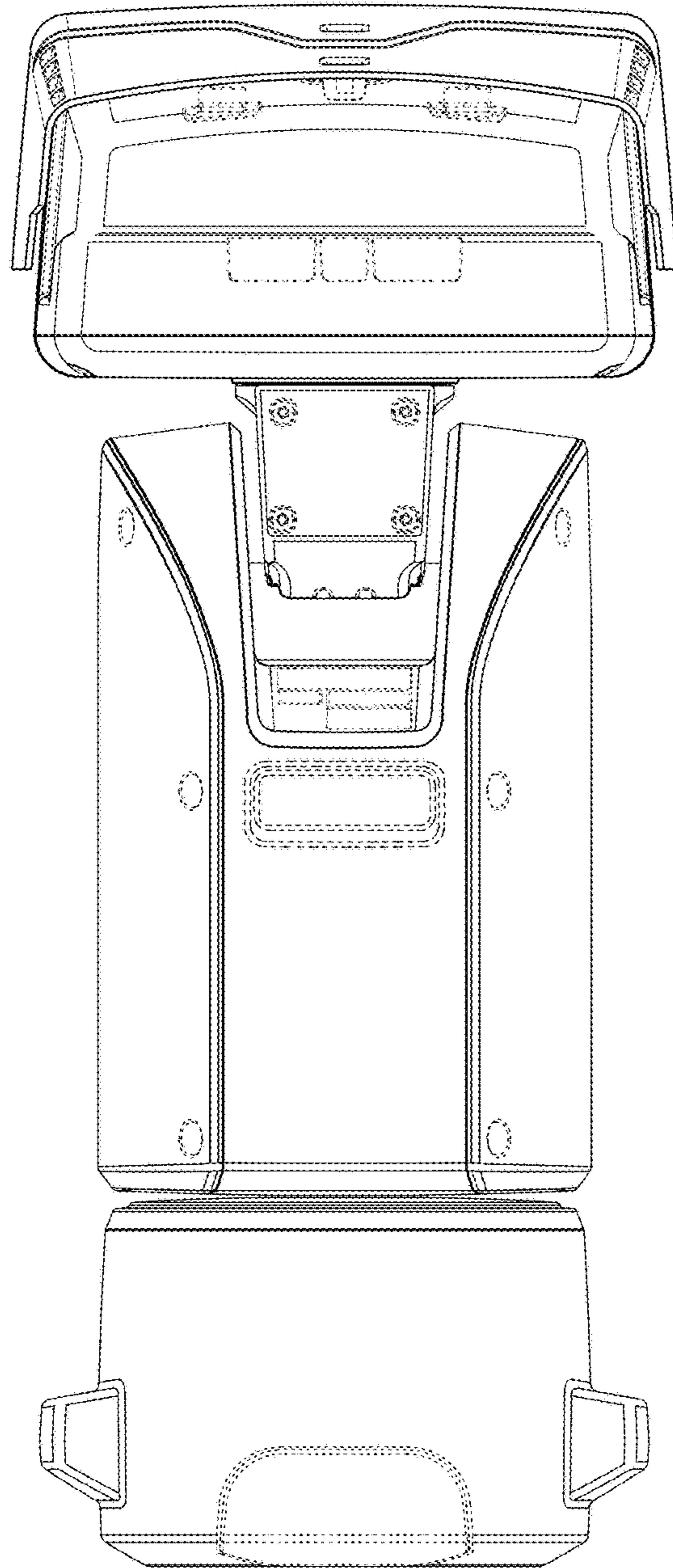


Fig. 7