

US00D838759S

(12) **United States Design Patent**  
**Kowalski**

(10) **Patent No.:** **US D838,759 S**

(45) **Date of Patent:** **\*\* Jan. 22, 2019**

- (54) **COMBINATION ROBOT CLOCK AND DEVICE HOLDER**
- (71) Applicant: **Mainspring Home Decor, L.L.C.**,  
Walnut Creek, CA (US)
- (72) Inventor: **Stephen Kowalski**, Walnut Creek, CA  
(US)
- (73) Assignee: **MAINSRING HOME DECOR, LLC**, Richmond, CA (US)
- (\*\*) Term: **15 Years**
- (21) Appl. No.: **29/636,243**
- (22) Filed: **Feb. 7, 2018**
- (51) **LOC (11) Cl.** ..... **15-99**
- (52) **U.S. Cl.**  
USPC ..... **D15/199**
- (58) **Field of Classification Search**  
USPC ..... D15/199; D21/578-583, 621, 622  
CPC ..... B25J 5/007; B60B 19/006; B62D 57/024;  
H01F 7/0221; Y10S 901/01  
See application file for complete search history.

- D766,644 S \* 9/2016 Huang ..... D15/199
- D774,148 S \* 12/2016 Hong ..... D21/578
- D779,597 S \* 2/2017 Liu ..... D21/578
- D794,692 S \* 8/2017 Haranaka ..... D15/199
- D795,320 S \* 8/2017 Liu ..... D15/199
- D795,321 S \* 8/2017 Liu ..... D15/199
- D800,229 S \* 10/2017 Baker ..... A63H 3/48  
D21/587
- D804,586 S \* 12/2017 Brannon ..... D21/578
- D810,167 S \* 2/2018 Yang ..... D15/199
- D810,800 S \* 2/2018 Wang ..... D15/199
- D811,458 S \* 2/2018 Wang ..... D15/199
- D822,740 S \* 7/2018 Tsai ..... D15/199
- 2010/0280659 A1 \* 11/2010 Abdallah ..... H01R 13/17  
700/250
- 2011/0010013 A1 \* 1/2011 Ruan ..... B25J 5/007  
700/261
- 2016/0221191 A1 \* 8/2016 Ota ..... B25J 9/1664
- 2016/0229058 A1 \* 8/2016 Pinter ..... G06Q 50/22
- 2016/0361813 A1 \* 12/2016 Fei ..... B25J 9/08

\* cited by examiner

*Primary Examiner* — Patricia A Palasik  
(74) *Attorney, Agent, or Firm* — Francis Law Group

(57) **CLAIM**

I claim the ornamental design for a combination robot clock and device holder, as shown and described.

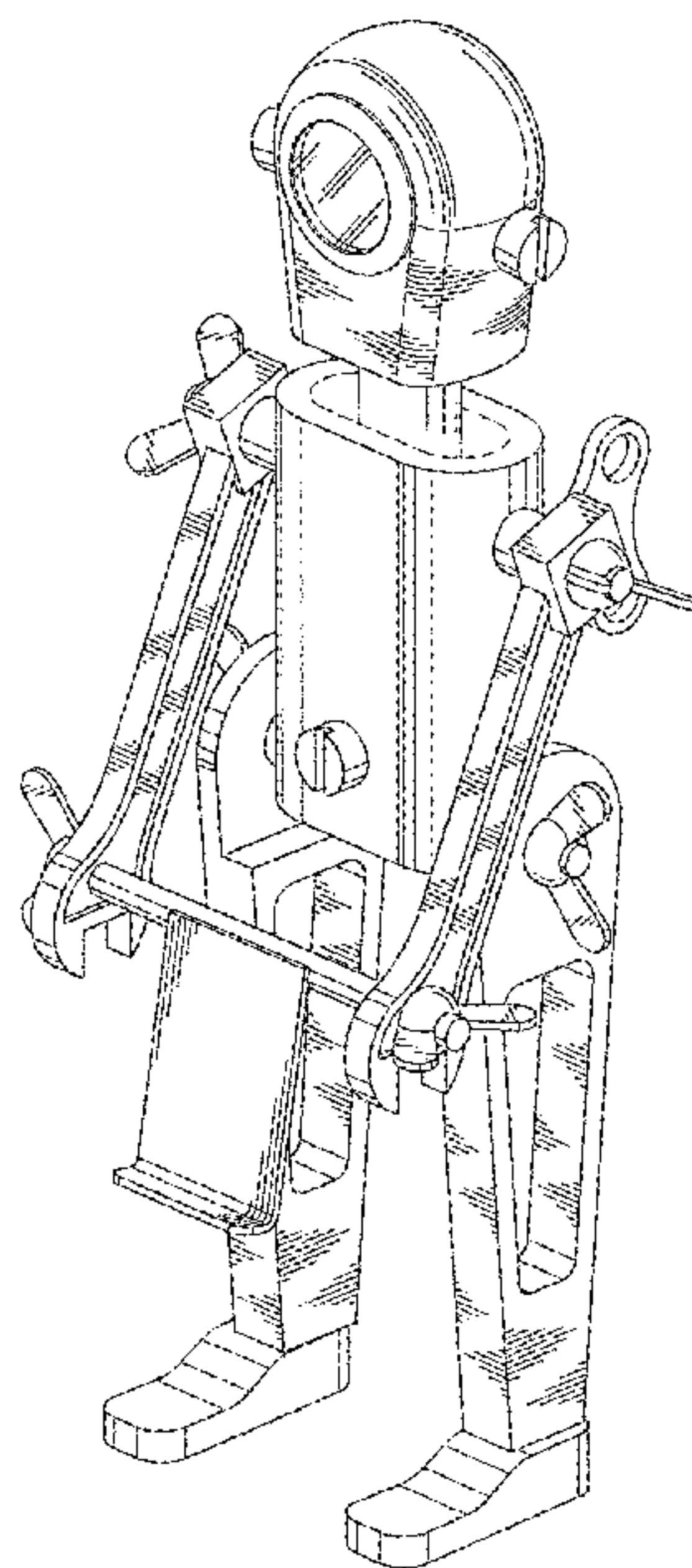
**DESCRIPTION**

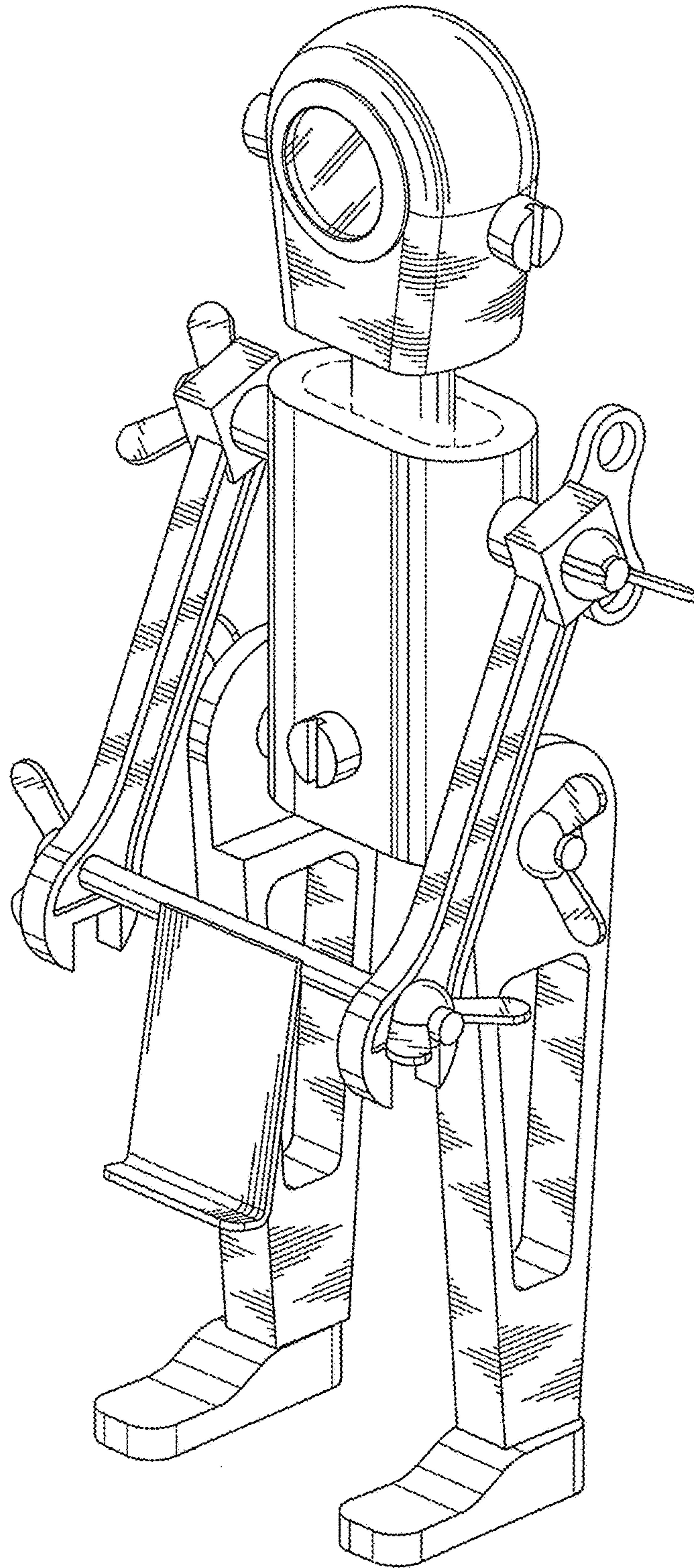
FIG. 1 is a perspective view of my design for a combination robot clock and device holder;  
FIG. 2 is a front elevational view thereof;  
FIG. 3 is a rear elevational view thereof;  
FIG. 4 is a left side elevational view thereof;  
FIG. 5 is a right side elevational view thereof;  
FIG. 6 is a top elevational view thereof; and,  
FIG. 7 is a bottom elevational view thereof.

**1 Claim, 6 Drawing Sheets**

(56) **References Cited**  
U.S. PATENT DOCUMENTS

- D453,199 S \* 1/2002 Sawai ..... D21/578
- D460,131 S \* 7/2002 Koshiishi ..... D21/578
- D460,503 S \* 7/2002 Koshiishi ..... D21/578
- D468,759 S \* 1/2003 Lin ..... D16/202
- D541,353 S \* 4/2007 Takahashi ..... D21/578
- D549,756 S \* 8/2007 Park ..... D15/199
- D593,164 S \* 5/2009 Sonoda ..... D21/578
- D677,743 S \* 3/2013 Koshiishi ..... D15/199
- D719,620 S \* 12/2014 Clerc ..... B25J 5/007  
D15/199





*FIG. 1*

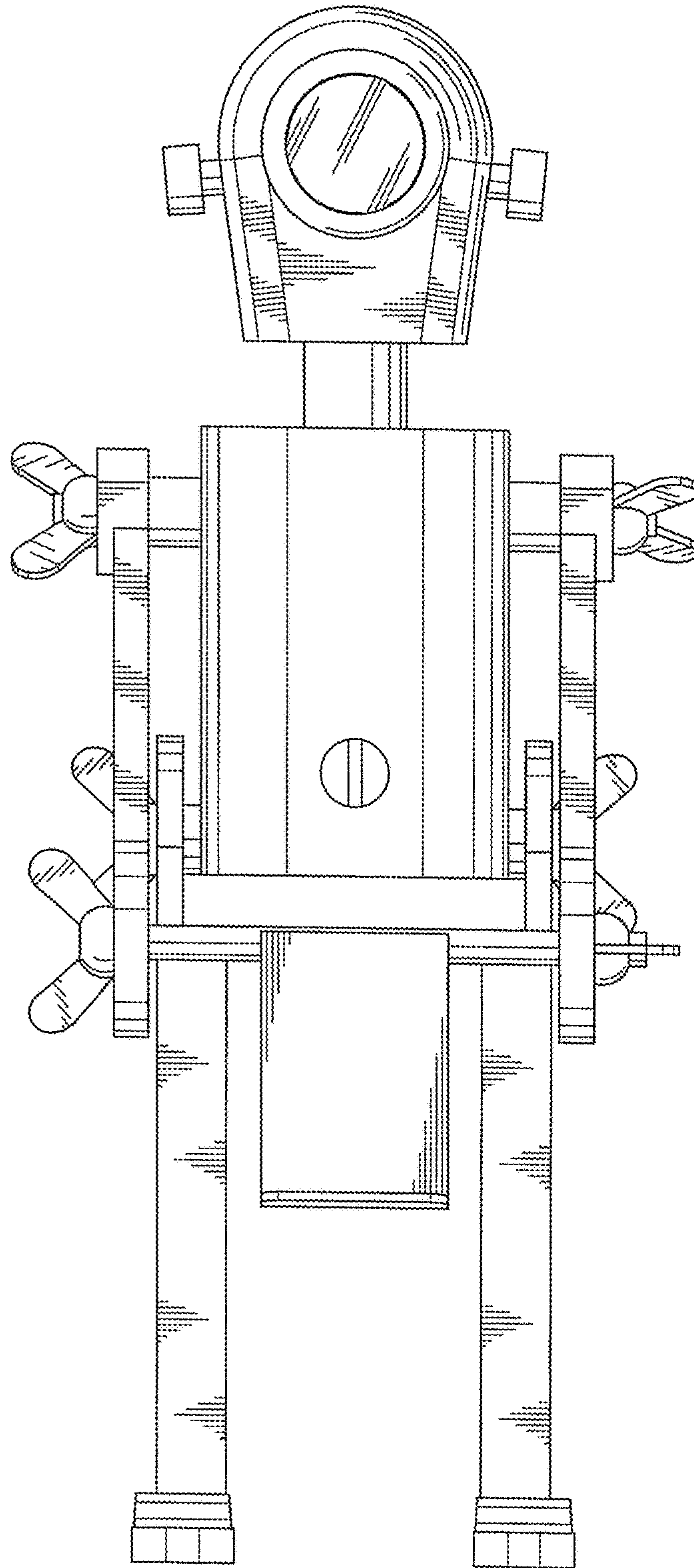
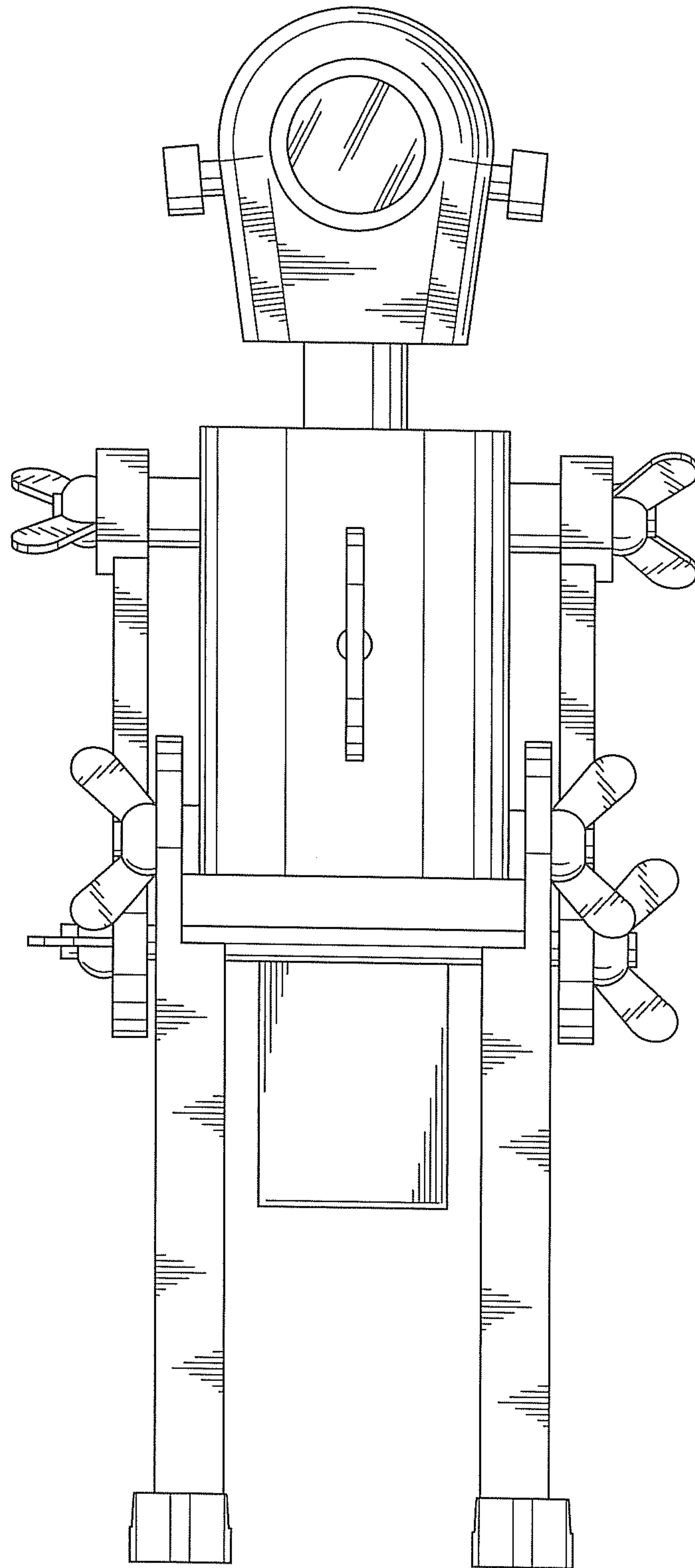
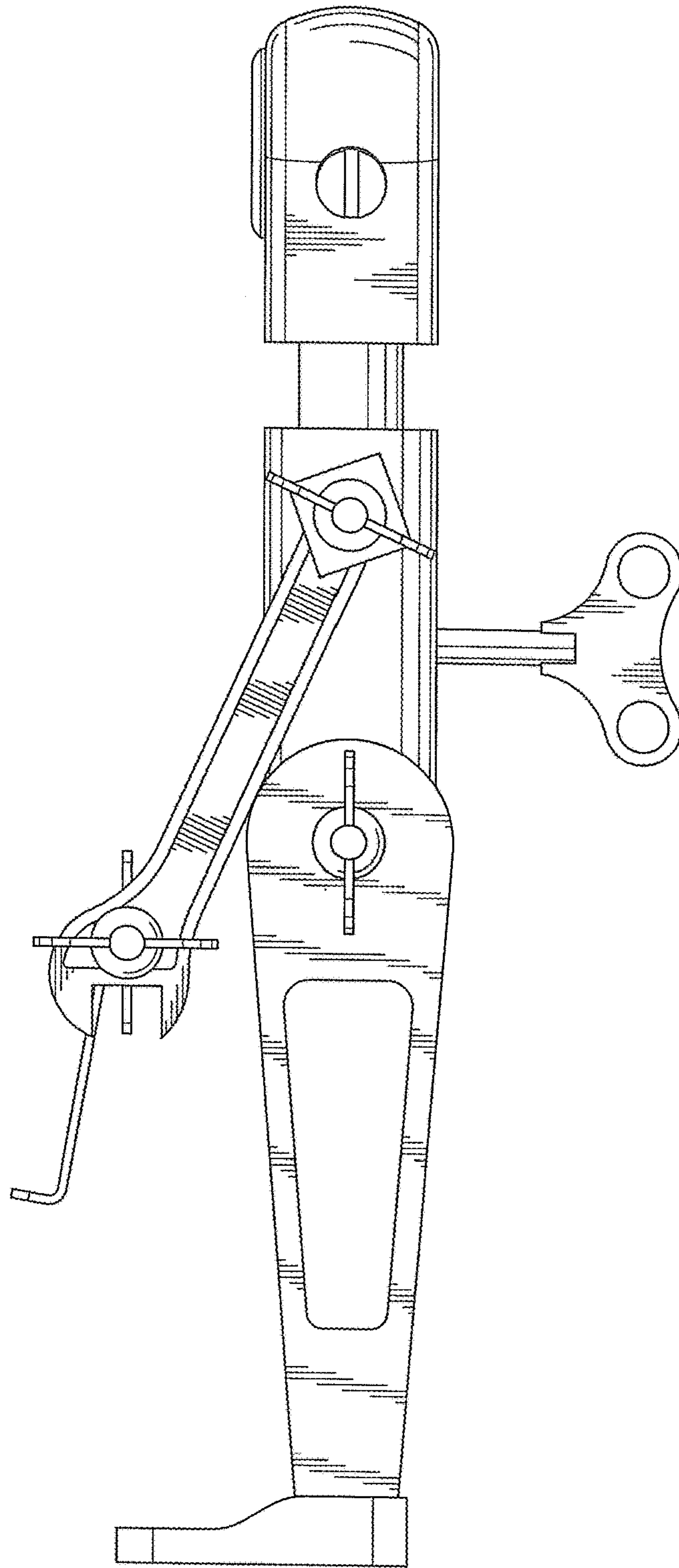


FIG. 2

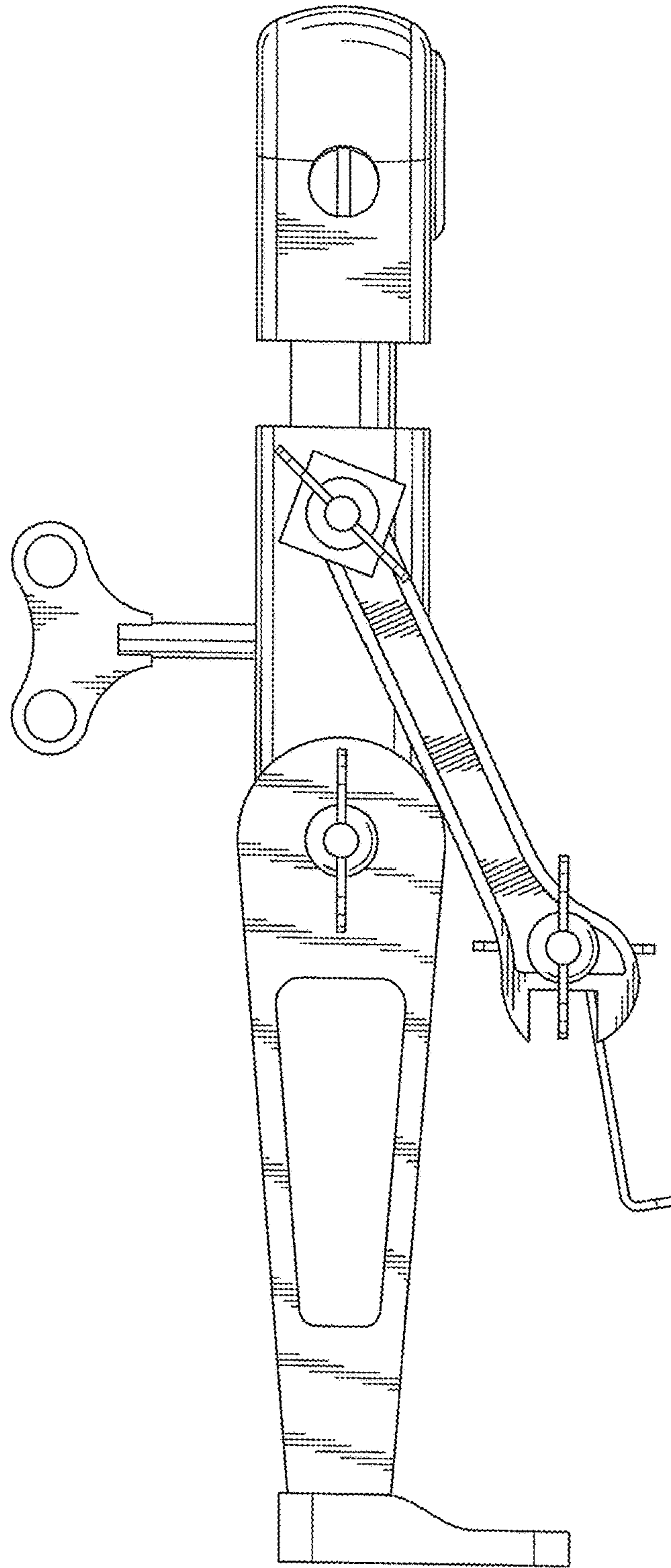




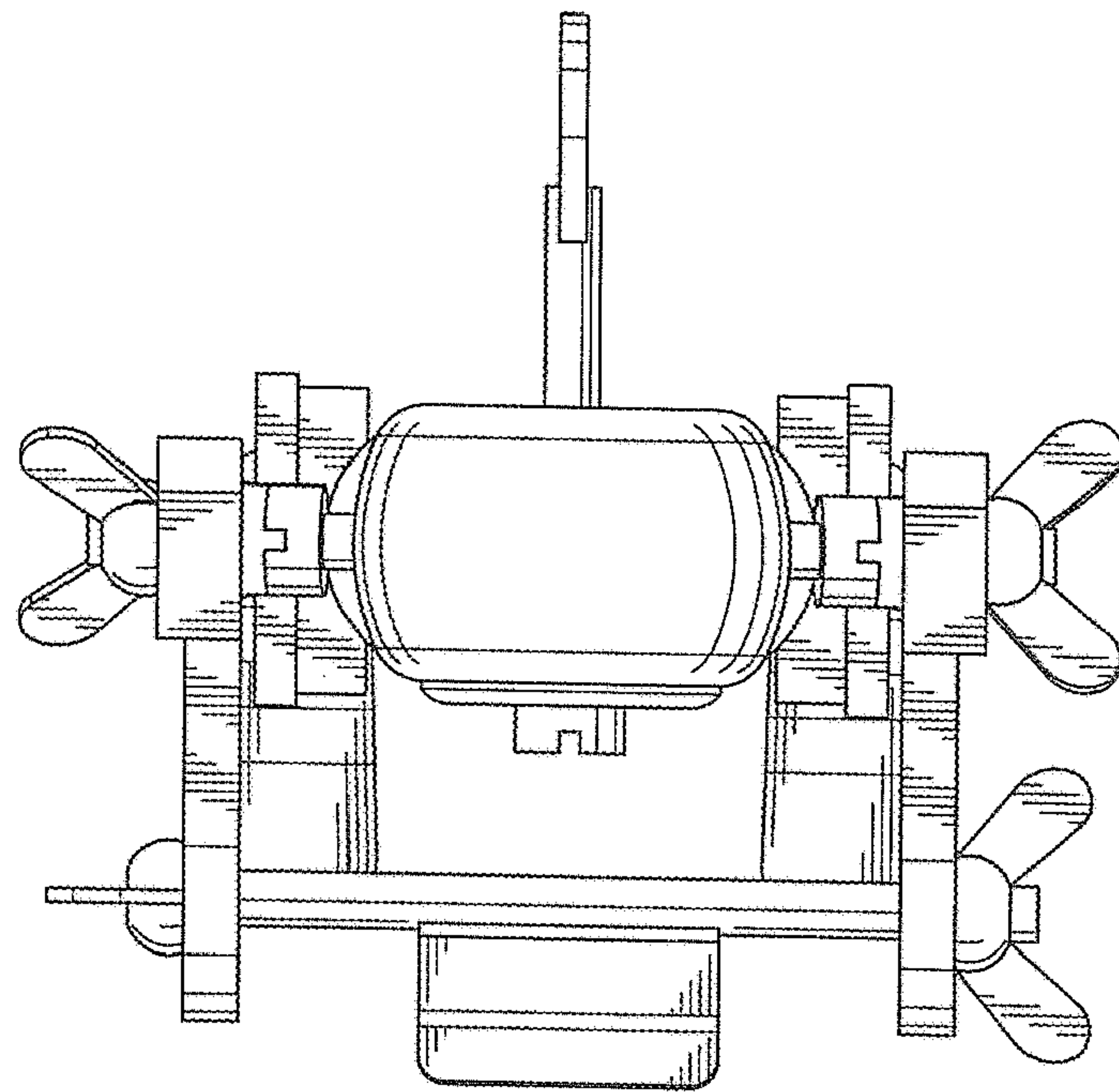
*FIG. 3*



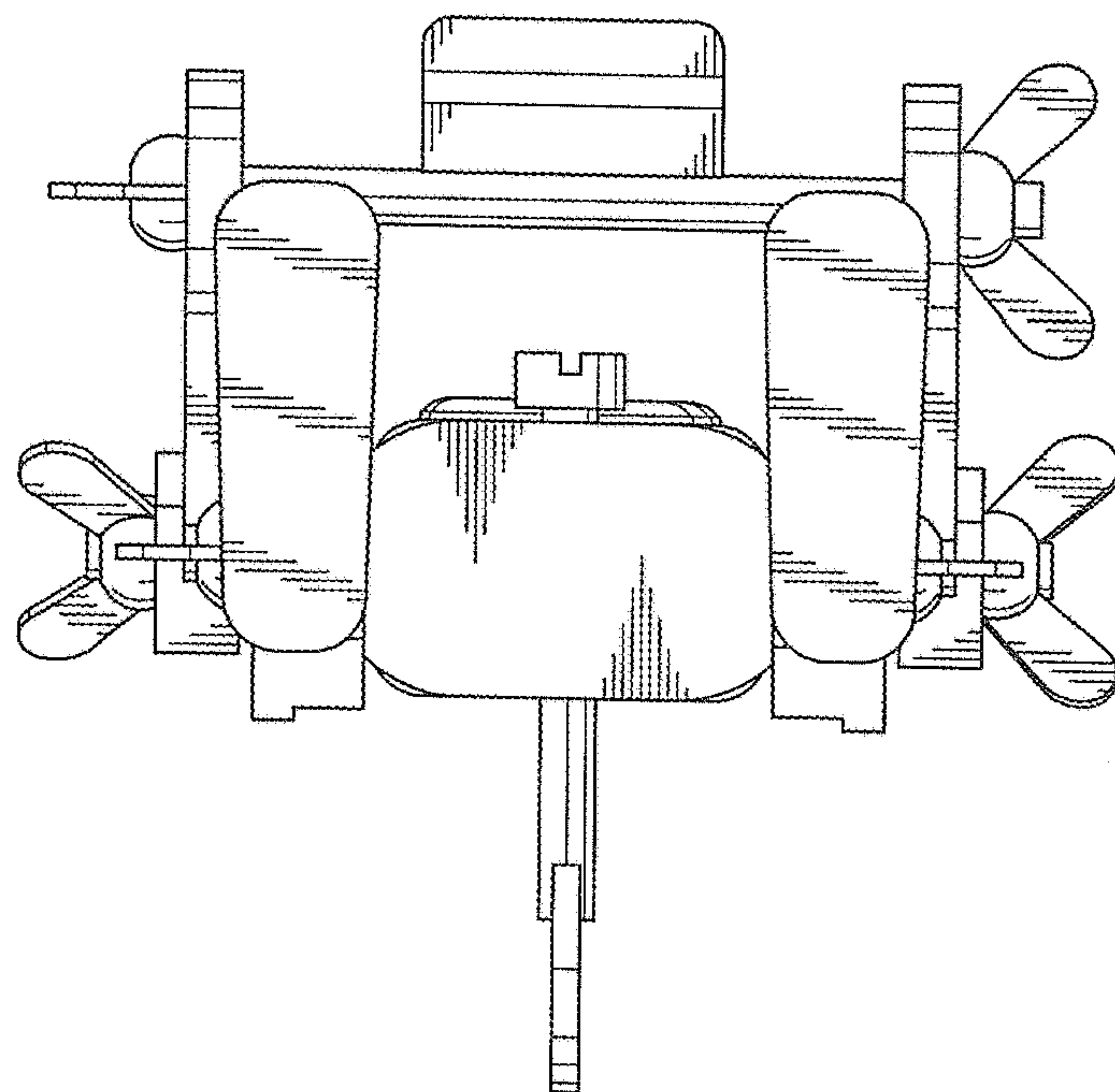
*FIG. 4*



*FIG. 5*



*FIG. 6*



*FIG. 7*