



US00D838757S

(12) **United States Design Patent**
Wirtz

(10) **Patent No.:** **US D838,757 S**
(45) **Date of Patent:** **** Jan. 22, 2019**

- (54) **CAP WITH FLEXIBLE TUBING**
- (71) Applicant: **Gregory P. Wirtz**, Hudson, OH (US)
- (72) Inventor: **Gregory P. Wirtz**, Hudson, OH (US)
- (73) Assignee: **Wirtzy Specialties LLC**, Lacrosse, WI (US)
- (**) Term: **15 Years**
- (21) Appl. No.: **29/556,814**
- (22) Filed: **Mar. 3, 2016**
- (51) **LOC (11) Cl.** **09-09**
- (52) **U.S. Cl.**
USPC **D15/150**
- (58) **Field of Classification Search**
USPC D15/150, 151, 152; D9/516, 549, 558,
D9/574, 575, 695, 697, 723, 724
CPC B01L 3/10; A45D 19/18; A45D 19/02;
A61M 3/0262; B65D 1/323
See application file for complete search history.

(56) **References Cited**

U.S. PATENT DOCUMENTS

- 2,533,726 A * 12/1950 Floyd B01L 3/10
215/4
- 2,687,227 A * 8/1954 Guth B01L 3/10
215/3
- 3,825,154 A * 7/1974 Jaeger B67D 1/10
222/136
- 4,259,954 A * 4/1981 Scott A61M 3/0262
222/213

(Continued)

OTHER PUBLICATIONS

“Edutek Instrumentation—Wash Bottles.” Found online Feb. 15, 2018 at www.edutekinstrumentation.com. Image dated Oct. 22,

2014. Retrieved from URL: <https://tineye.com/search/966de0b5f176e38bf482191459d395ddd312645a/?sort=score&order=desc> (Year: 2014).*

(Continued)

Primary Examiner — Garth Rademaker

Assistant Examiner — Katelin G Kloberg

(74) *Attorney, Agent, or Firm* — Justin W. McCabe; Dunkiel Saunders Elliott Raubvogel & Hand, PLLC

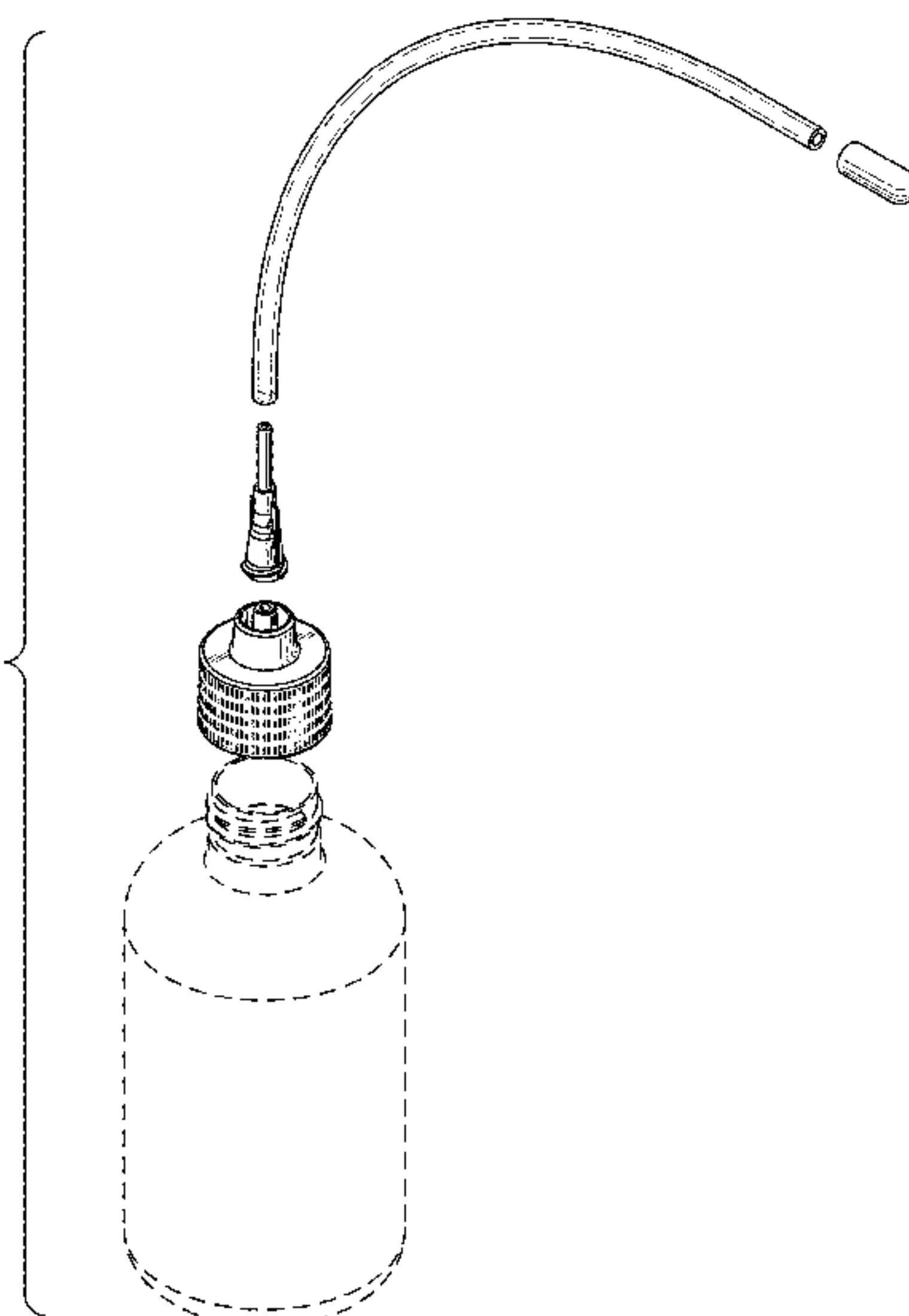
(57) **CLAIM**

The ornamental design for a cap with flexible tubing, as shown and described.

DESCRIPTION

FIG. 1 is a perspective view of a cap with flexible tubing, showing my new design with a first environment of use; FIG. 2 is a front elevation view thereof; FIG. 3 is a right side view thereof; FIG. 4 is a left side view thereof; FIG. 5 is a top plan view thereof; FIG. 6 is a bottom plan view thereof; FIG. 7 is an exploded perspective view thereof; FIG. 8 is a perspective view of the cap with flexible tubing shown within a second environment of use; FIG. 9 is a perspective view of the cap with flexible tubing shown within a third environment of use; FIG. 10 a perspective view of the cap with flexible tubing shown within a fourth environment of use; FIG. 11 a perspective view of the cap with flexible tubing shown within a fifth environment of use; FIG. 12 a perspective view of the cap with flexible tubing shown within a sixth environment of use; FIG. 13 a perspective view of the cap with flexible tubing shown within a seventh environment of use; and, FIG. 14 a perspective view of the cap with flexible tubing shown within an eighth environment of use. The broken lines depicting various bottles onto which the cap with flexible tube can be applied represent environmental subject matter and form no part of the claimed design.

1 Claim, 12 Drawing Sheets



(56)

References Cited

U.S. PATENT DOCUMENTS

4,444,358 A * 4/1984 Spohn B60S 1/50
215/309
5,074,440 A * 12/1991 Clements B05B 11/0021
222/189.09
D357,392 S * 4/1995 Kimpel D15/150
5,529,223 A * 6/1996 Fisher B05B 11/047
222/211
6,837,400 B2 * 1/2005 Leoncavallo B01L 3/10
215/308
D678,376 S * 3/2013 Coleman D15/150
D699,533 S * 2/2014 Best D8/45
9,706,826 B2 * 7/2017 Madison A45D 19/02
2014/0008395 A1 * 1/2014 Syed B05B 11/3042
222/321.5

OTHER PUBLICATIONS

“GWJ Company.” Found online Feb. 15, 2018 at www.gwjcompany.com. Image dated Jan. 17, 2014. Retrieved from URL: http://www.gwjcompany.com/index.php?cPath=63_437_872&main_page=product_info&products_id=763 (Year: 2014).*

“Sci-mart.” Found online Feb. 15, 2018 at www.sci-mart.com. Image dated Sep. 13, 2014. Retrieved from URL: https://tineye.com/search/91d9370c1f08cf91b980358e98dd69c64ee6ea13/?extension_ver= (Year: 2014).*

“Glue Injector.” Found online Feb. 16, 2018 at www.amazon.com. Page dated Jul. 30, 2007. Retrieved from URL: <https://www.amazon.com/Glue-Injector-Pack-Peachtree-Woodworking/dp/B000UH9AA4> (Year: 2007).*

“Catalog”, United States Plastic Corporation, vol. 1, 2016.

* cited by examiner

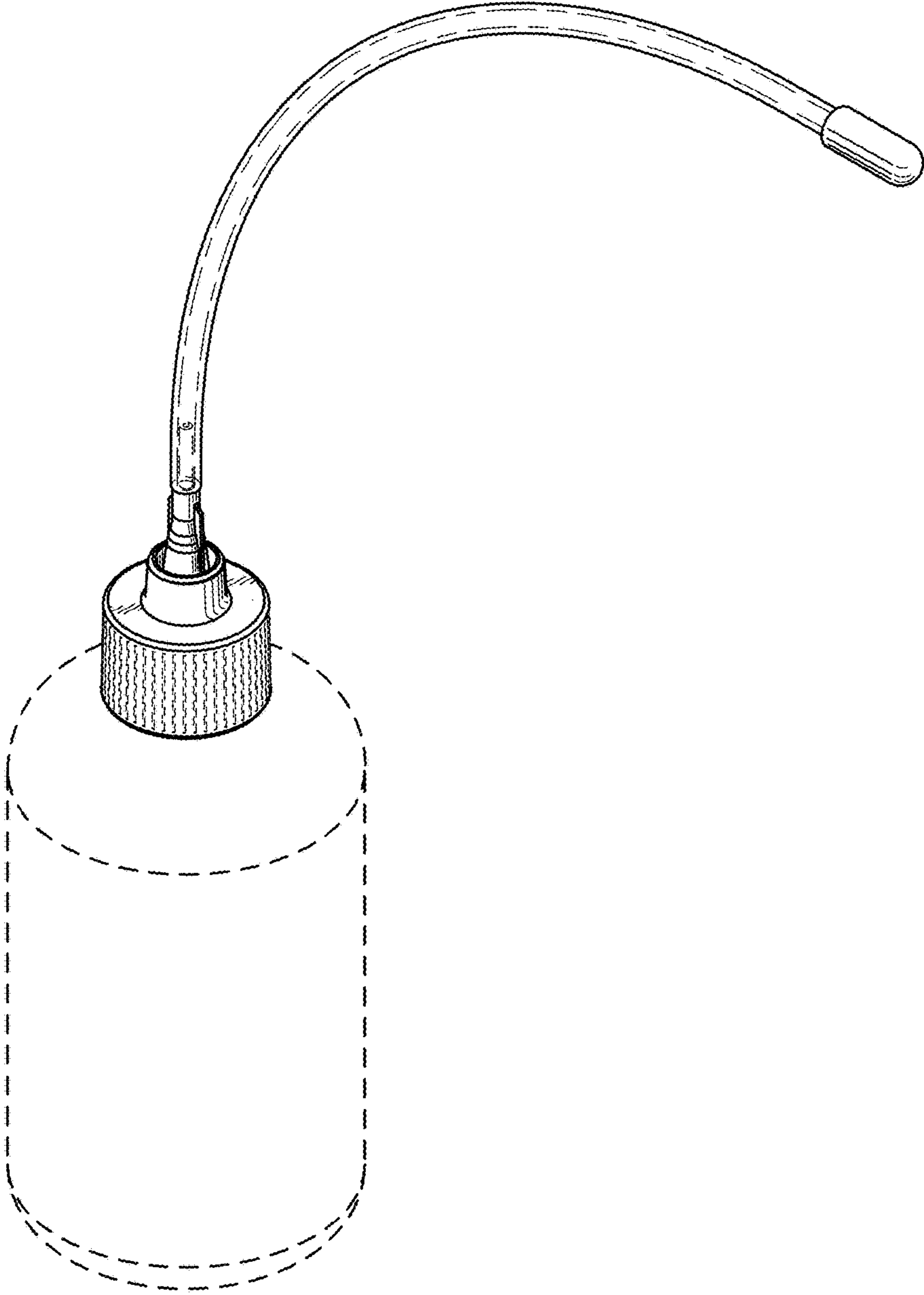


FIG. 1

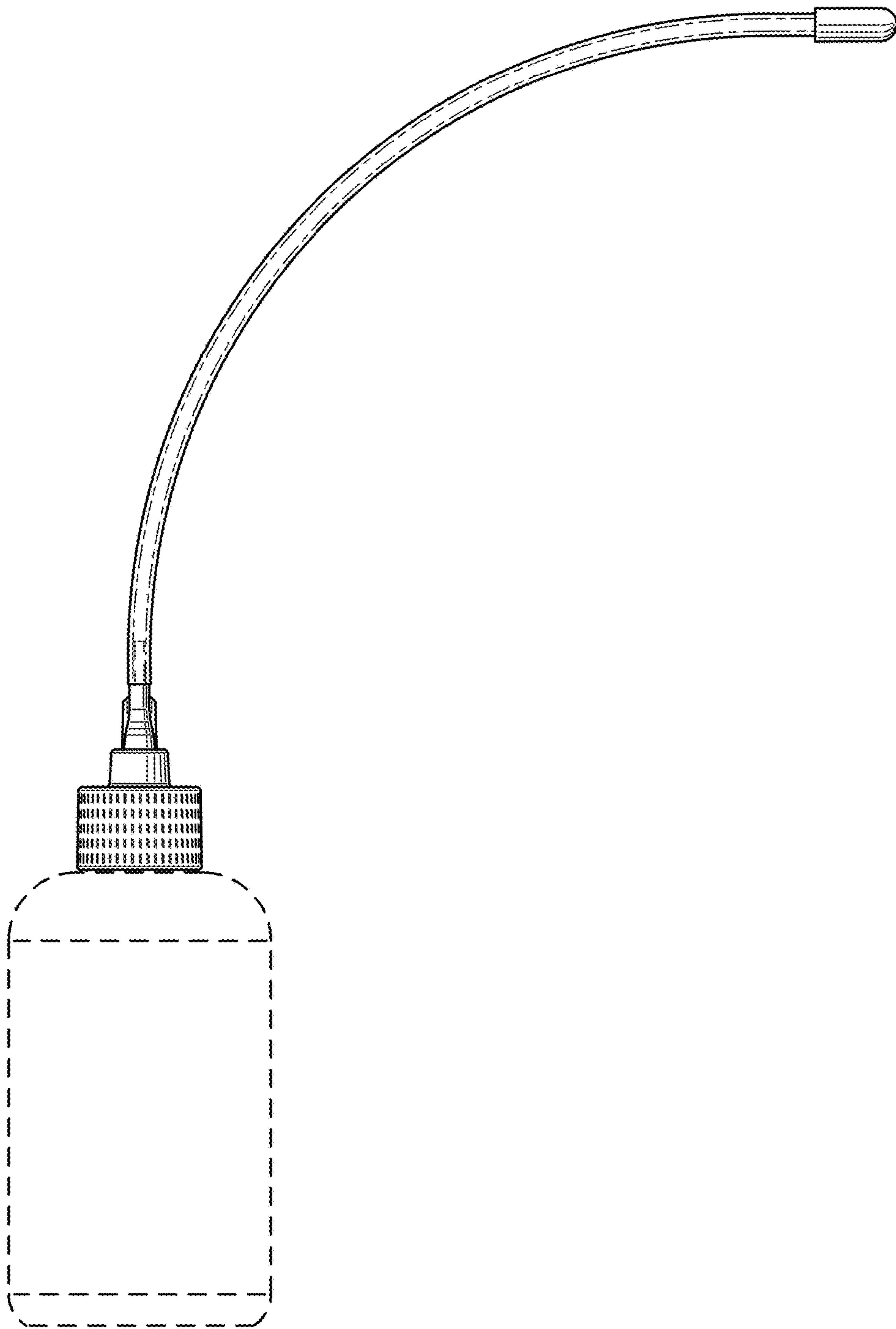


FIG. 2

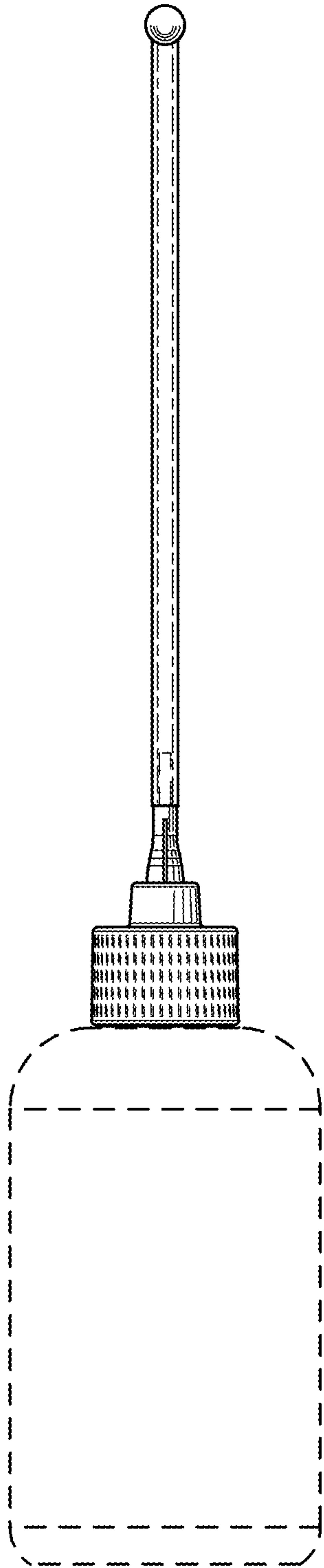


FIG. 3

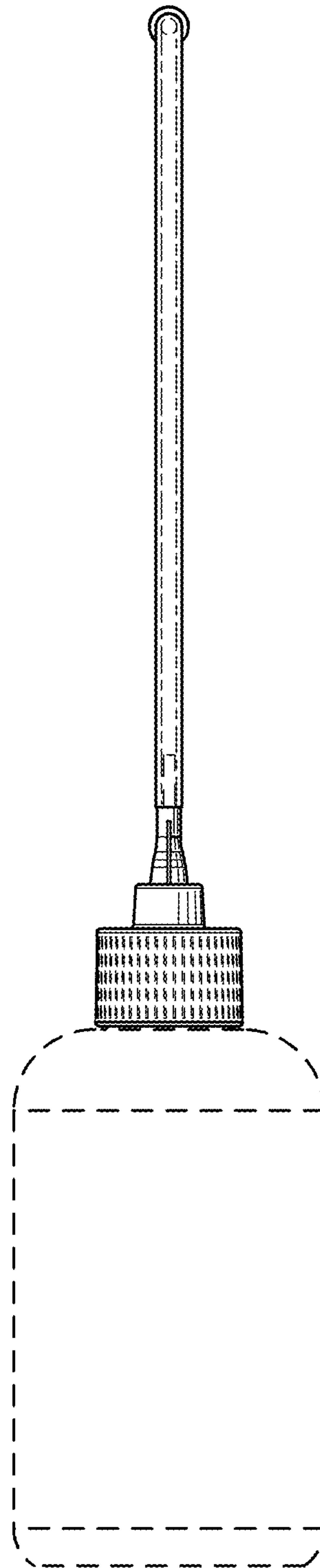


FIG. 4

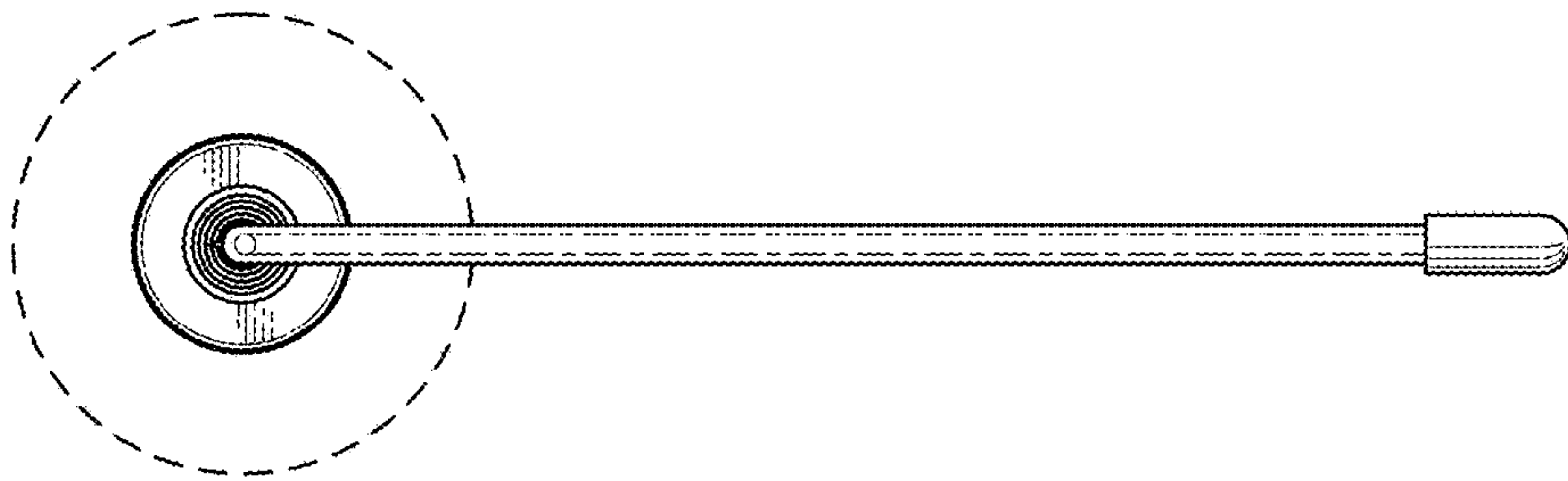


FIG. 5

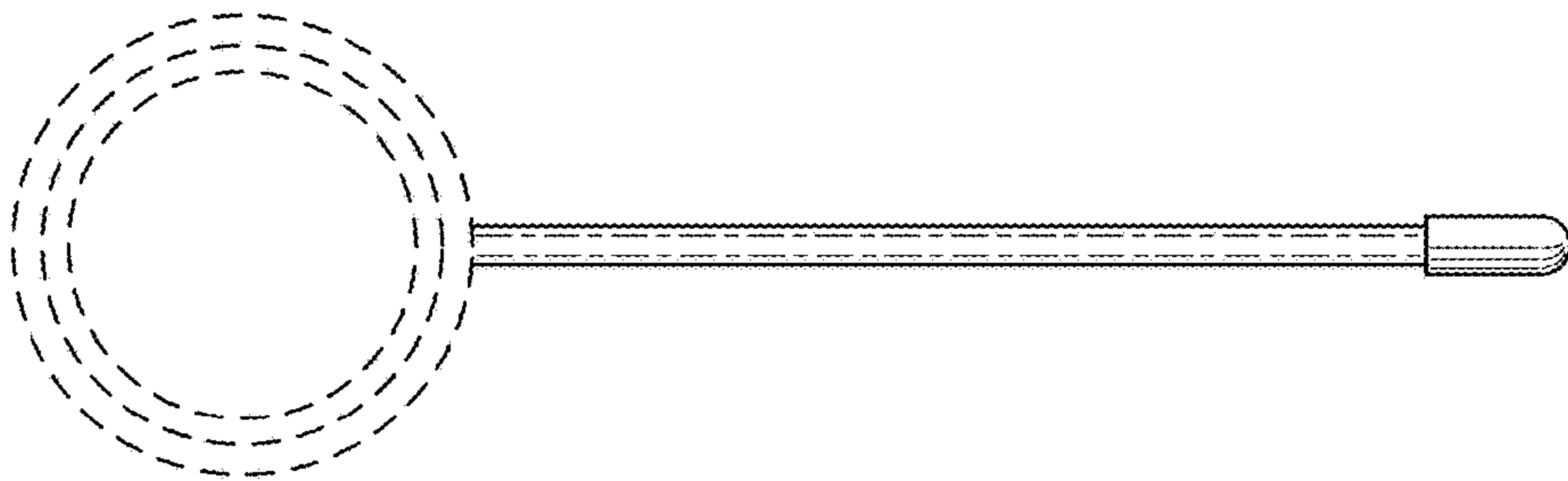


FIG. 6

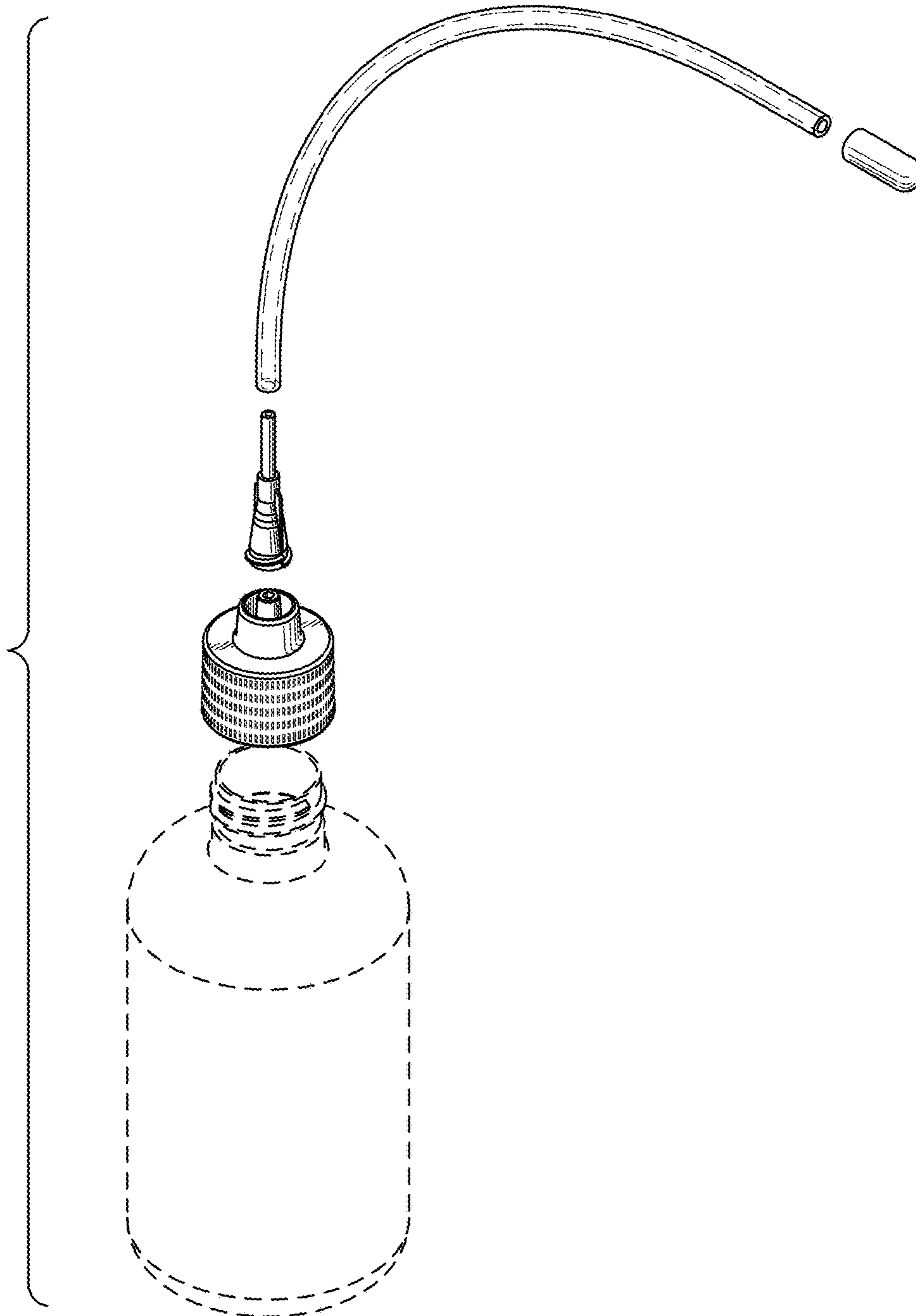


FIG. 7

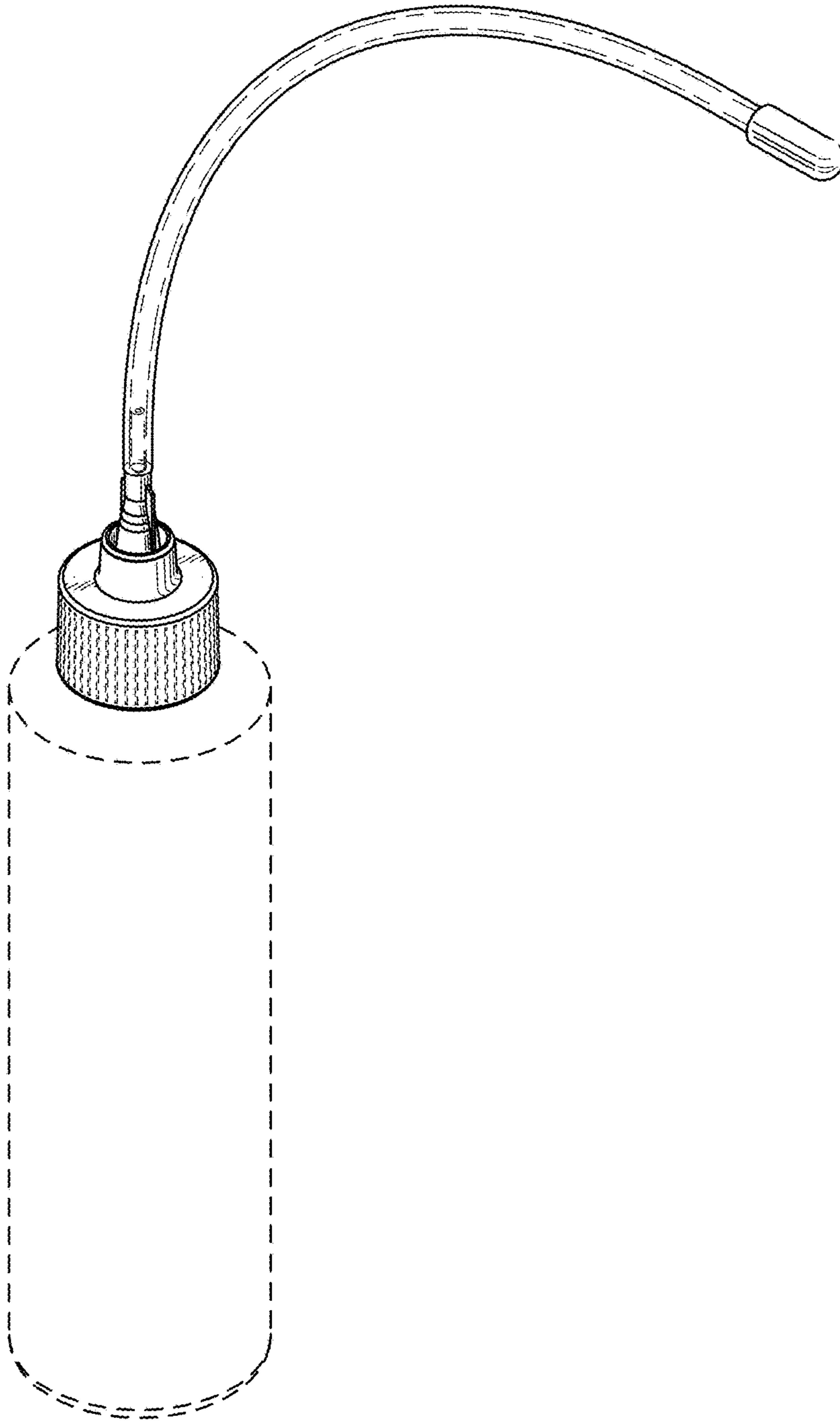


FIG. 8

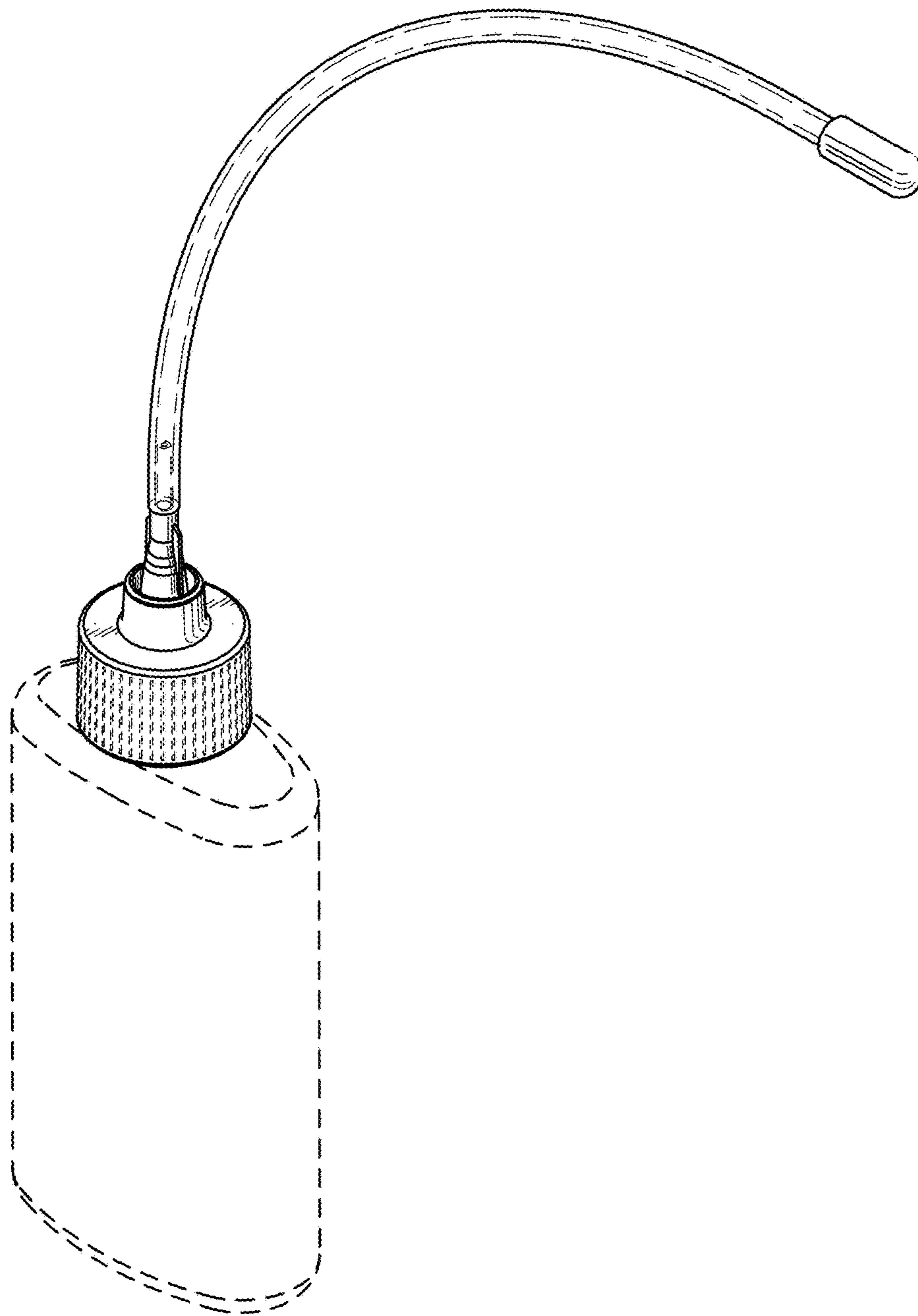


FIG. 9

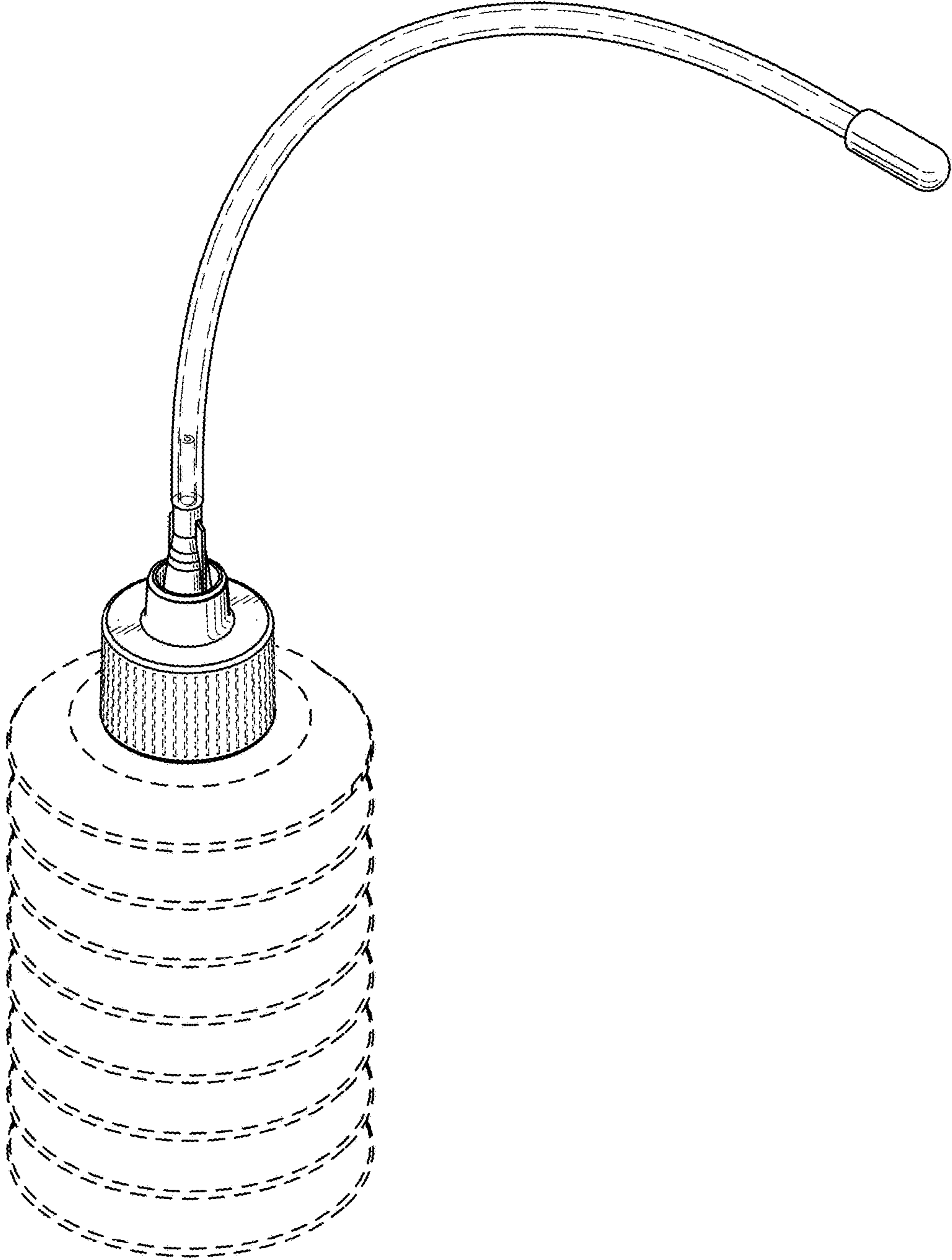


FIG. 10

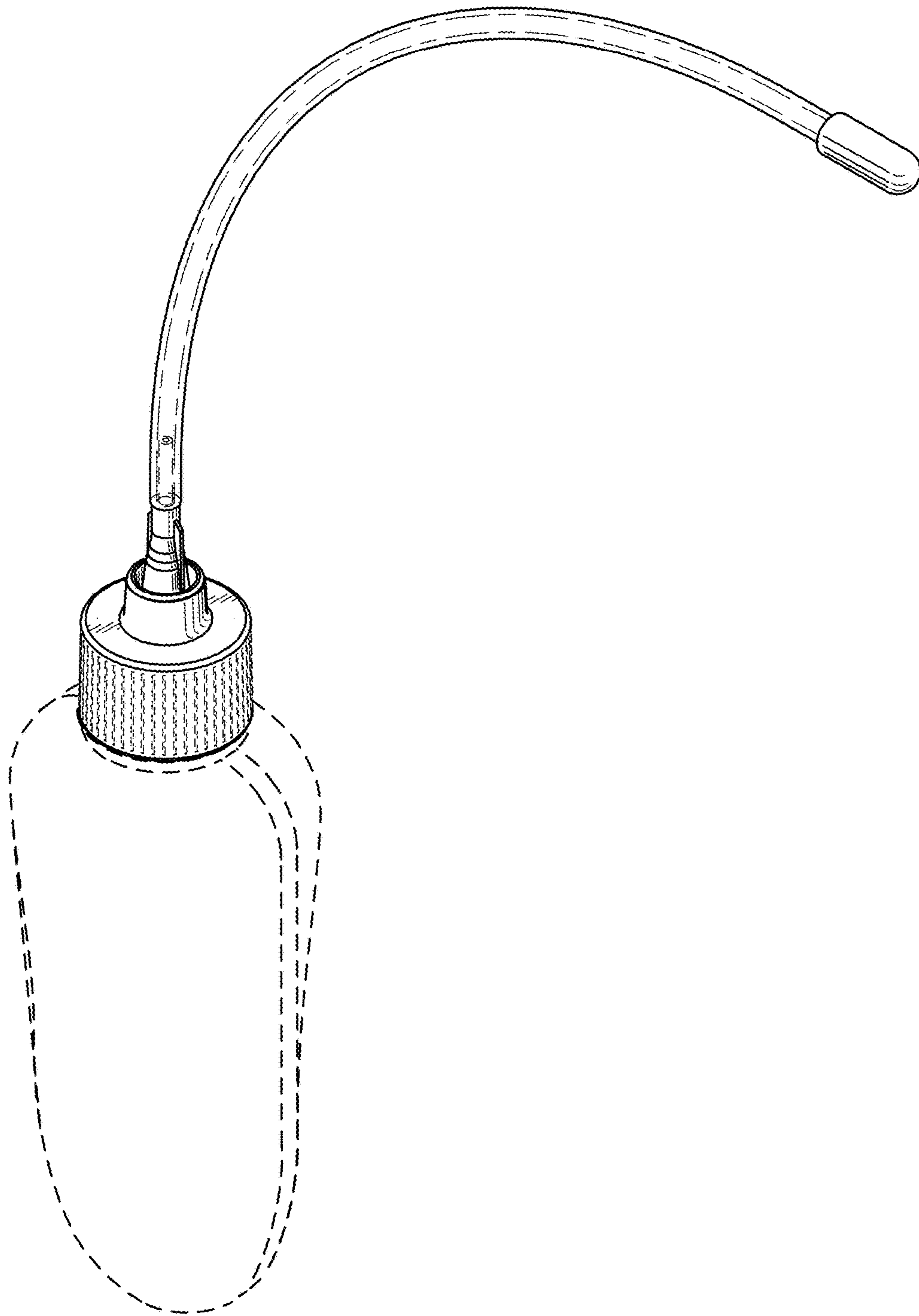


FIG. 11

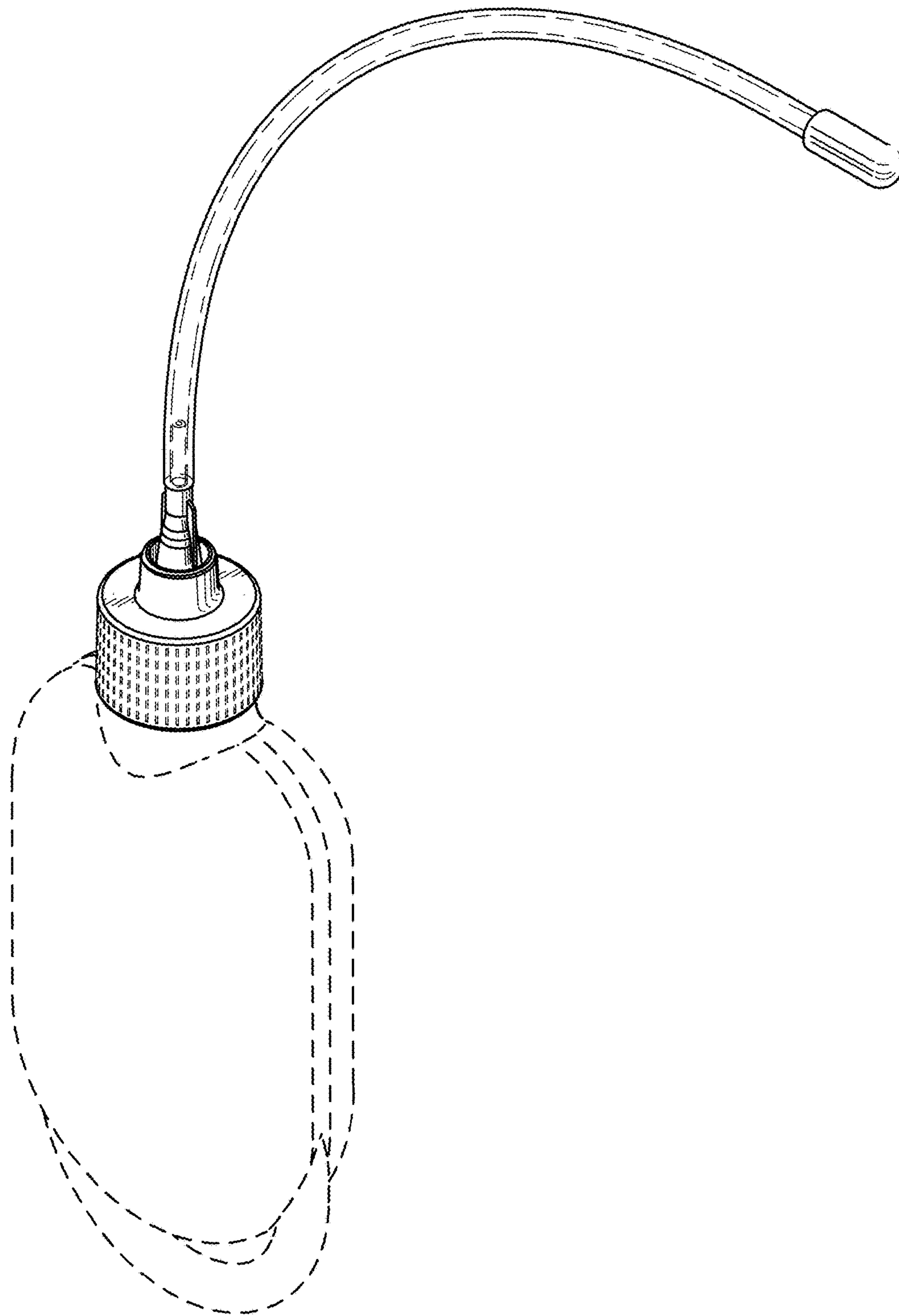


FIG. 12

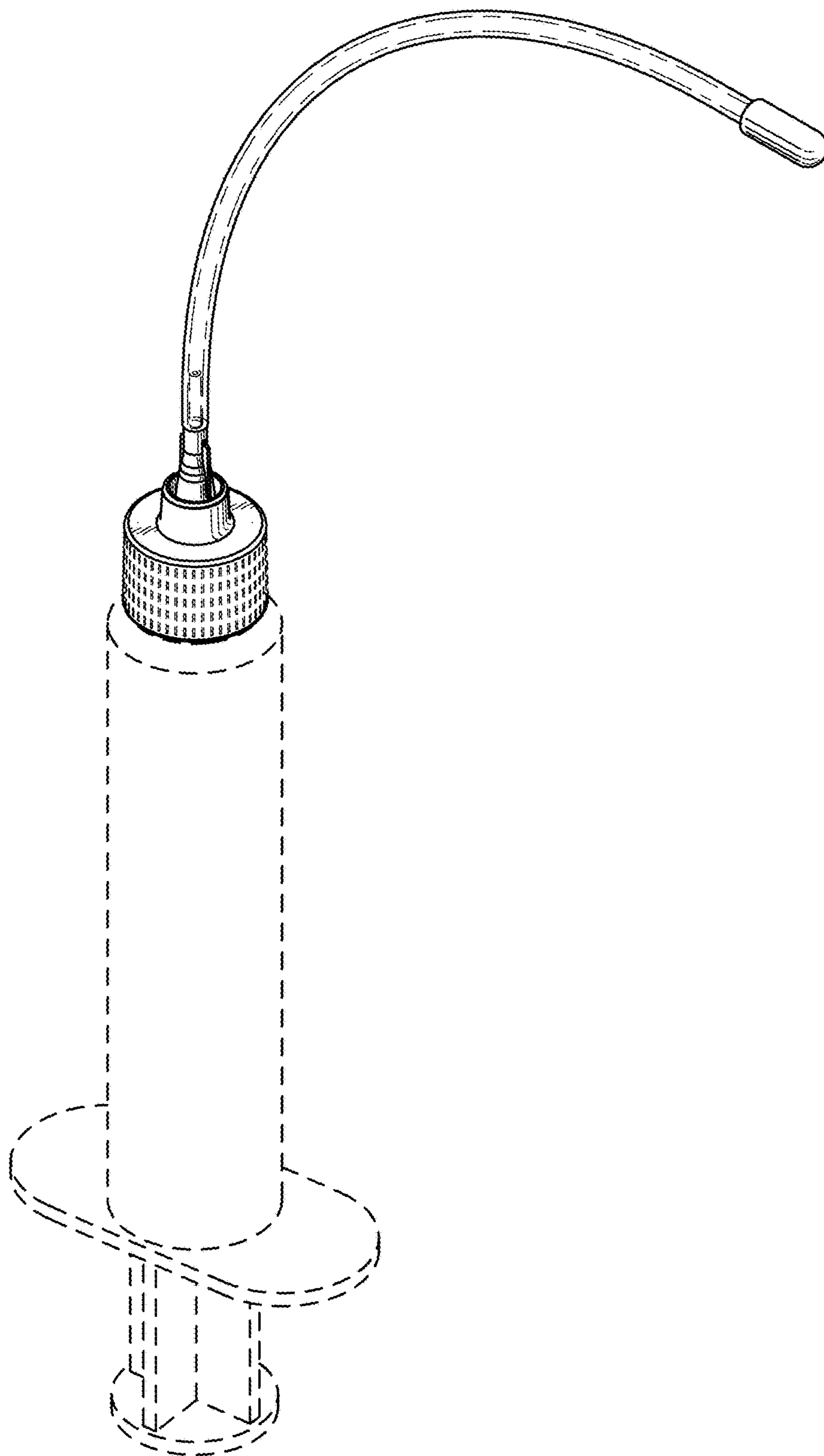


FIG. 13

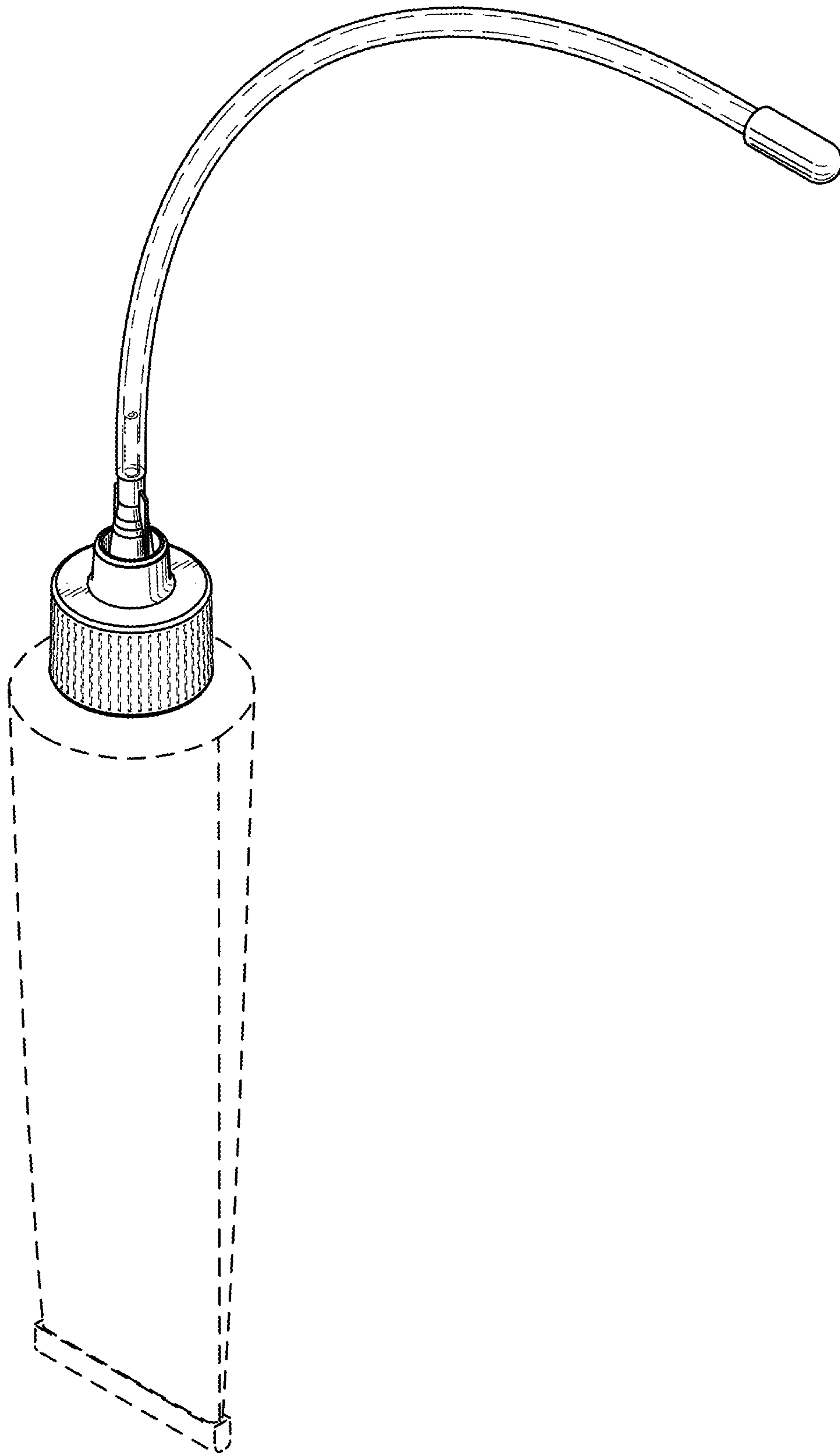


FIG. 14