



US00D838756S

(12) **United States Design Patent** (10) **Patent No.:** **US D838,756 S**
Sauer (45) **Date of Patent:** **** Jan. 22, 2019**

(54) **BIOCHAR KILN** 5,320,524 A * 6/1994 de Beus B01D 45/10
432/103
(71) Applicant: **James Sauer**, Clarence Center, NY D540,124 S * 4/2007 Ross D7/509
(US) D665,071 S * 8/2012 Goel D15/144
D706,324 S * 6/2014 Watts D15/147
(72) Inventor: **James Sauer**, Clarence Center, NY 9,752,078 B2 * 9/2017 Aupperle C10B 3/02
(US) 2014/0137855 A1 * 5/2014 Reed F23L 11/00
126/295
(73) Assignee: **AMERICA SEQUESTERS CO2,** 2017/0188752 A1 * 7/2017 Ahmed A47J 37/079
LLC, Clarence Center, NY (US)

(**) Term: **15 Years**

(21) Appl. No.: **29/559,749**

(22) Filed: **Mar. 31, 2016**

(51) **LOC (11) Cl.** **15-09**

(52) **U.S. Cl.**
USPC **D15/144**

(58) **Field of Classification Search**
USPC D15/143, 144, 144.1, 144.2, 147;
D23/386; 432/103, 115, 118, 14
CPC .. C10B 3/02; C10B 1/02; C10B 49/02; C10B
53/02; F27D 1/145; A47J 37/079; C01B
32/39; F23J 2213/202; Y02A 40/928;
Y02P 40/126
See application file for complete search history.

(56) **References Cited**

U.S. PATENT DOCUMENTS

2,535,186 A * 12/1950 Anderson F23J 13/04
126/314
D273,324 S * 4/1984 Brownlee D23/386
D280,628 S * 9/1985 Besson D15/147
D288,693 S * 3/1987 Wysolmierski D15/147
4,776,788 A * 10/1988 Przewalski F23G 5/20
34/108
5,090,610 A * 2/1992 Bernt F27B 7/166
228/118

OTHER PUBLICATIONS

“Finger Lakes Biochar.” Found online Mar. 1, 2018 at fingerlakesbiochar.com. Page dated Jun. 23, 2015. Retrieved from URL: <http://fingerlakesbiochar.com/biocharlie/> (Year: 2015).*
“America Sequesters CO2’s BioCharlie.” Found online Mar. 1, 2018 at www.amazon.com. Page dated Jun. 23, 2015. Retrieved from URL: <https://goo.gl/3rNEYH> (Year: 2015).*

(Continued)

Primary Examiner — Garth Rademaker
Assistant Examiner — Katelin G Kloberg
(74) *Attorney, Agent, or Firm* — Hodgson Russ LLP

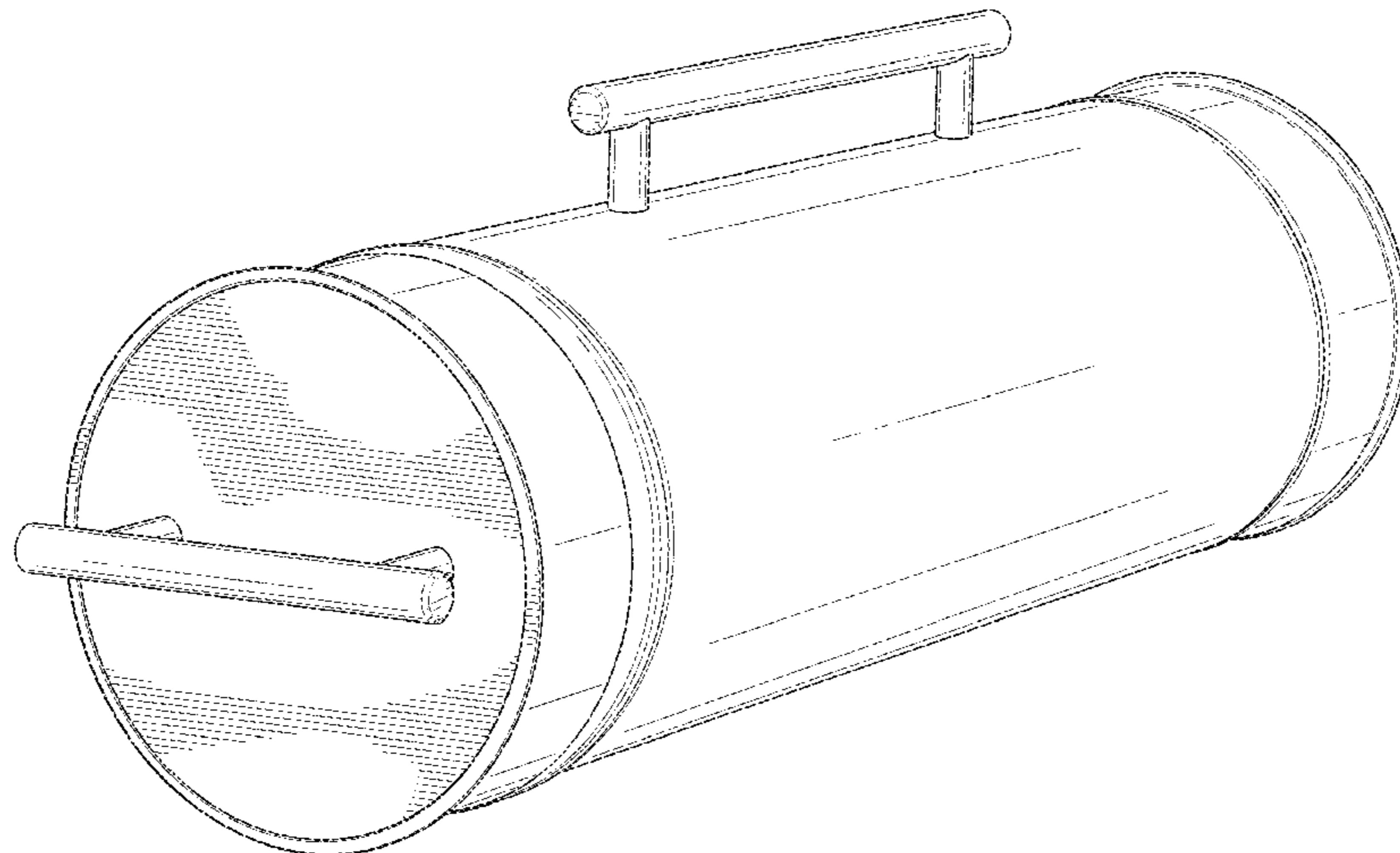
(57) **CLAIM**

The ornamental design for a biochar kiln, as shown and described.

DESCRIPTION

FIG. 1 is a perspective view of a biochar kiln showing my new design;
FIG. 2 is a front elevational view thereof;
FIG. 3 is a rear elevational view thereof;
FIG. 4 is a right side elevational view thereof;
FIG. 5 is a left side elevational view thereof;
FIG. 6 is a top view thereof; and,
FIG. 7 is a bottom view thereof.

1 Claim, 6 Drawing Sheets



(56)

References Cited

OTHER PUBLICATIONS

“CarbonZero Experimental Biochar Kiln.” Found online Mar. 1, 2018 at www.biochar.info. Page dated Feb. 22, 2012. Retrieved from URL: <https://web.archive.org/web/20120222132721/https://www.biochar.info/biochar.CarbonZero-Experimental-Biochar-Kiln.cfml> (Year: 2012).*

“Gardening with Biochar and Helping the Planet—With the BioCharlie—YouTube.” Found online Mar. 1, 2018 at www.youtube.com. Video published Mar. 7, 2016. Retrieved from URL: <https://www.youtube.com/watch?v=9LgQBrl0Ptc> (Year: 2016).*

* cited by examiner

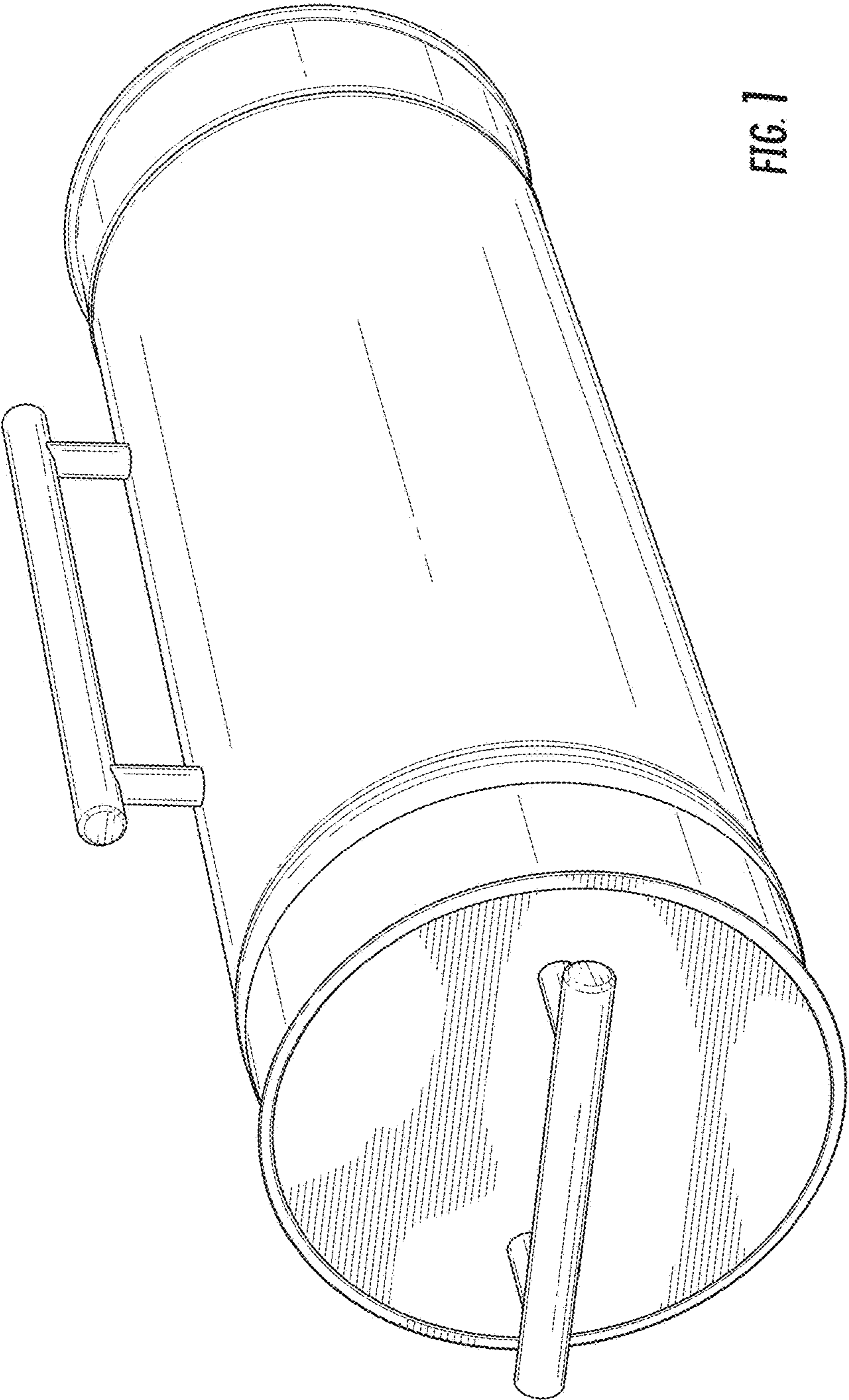


FIG. 1

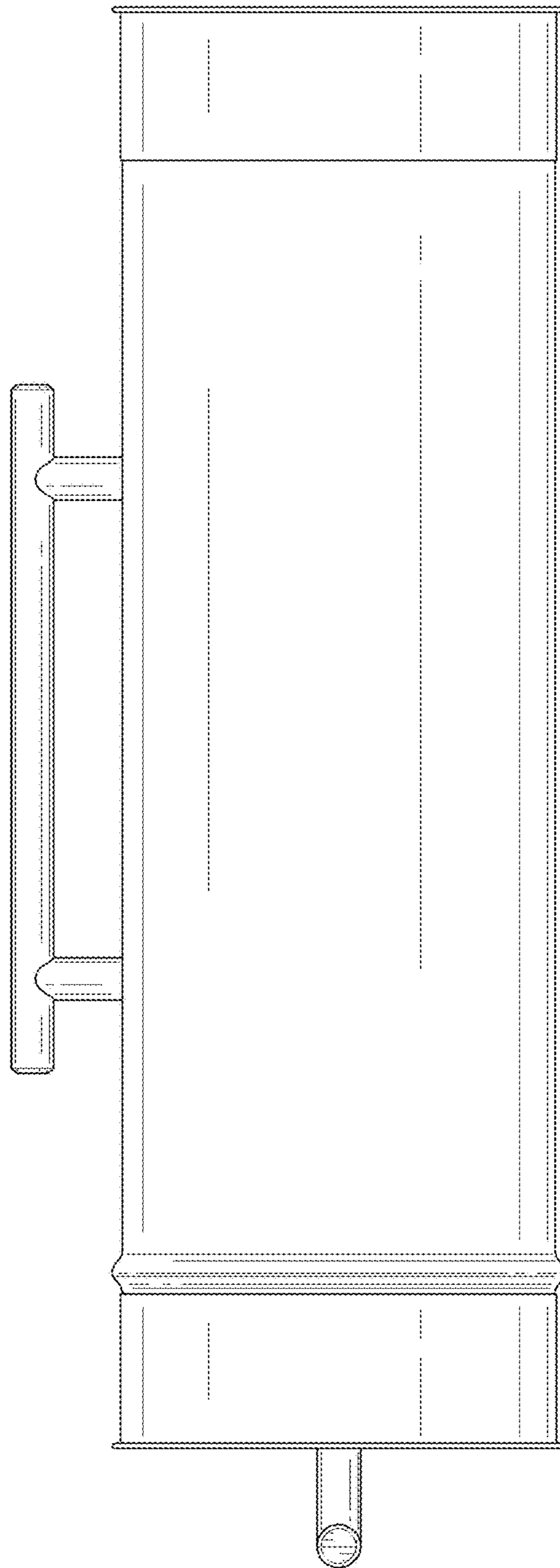


FIG. 2

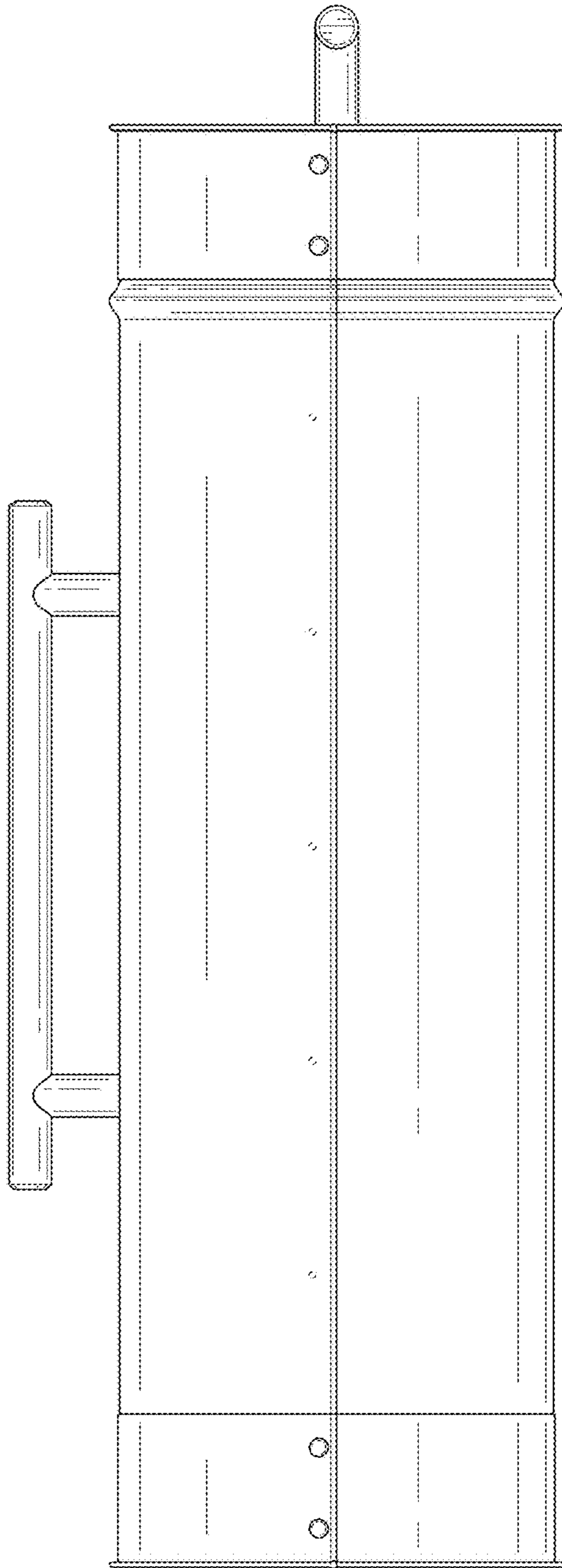


FIG. 3

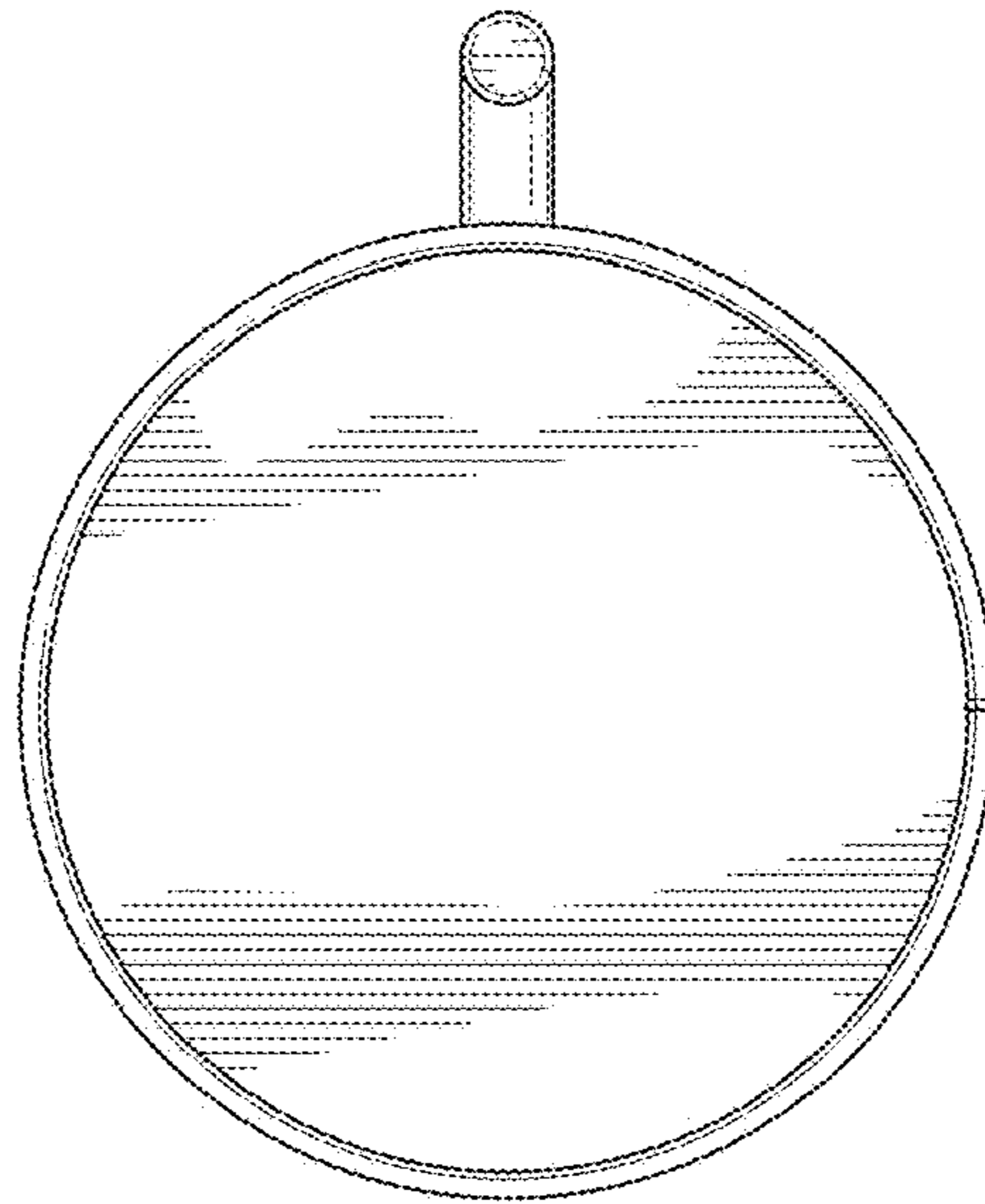


FIG. 4

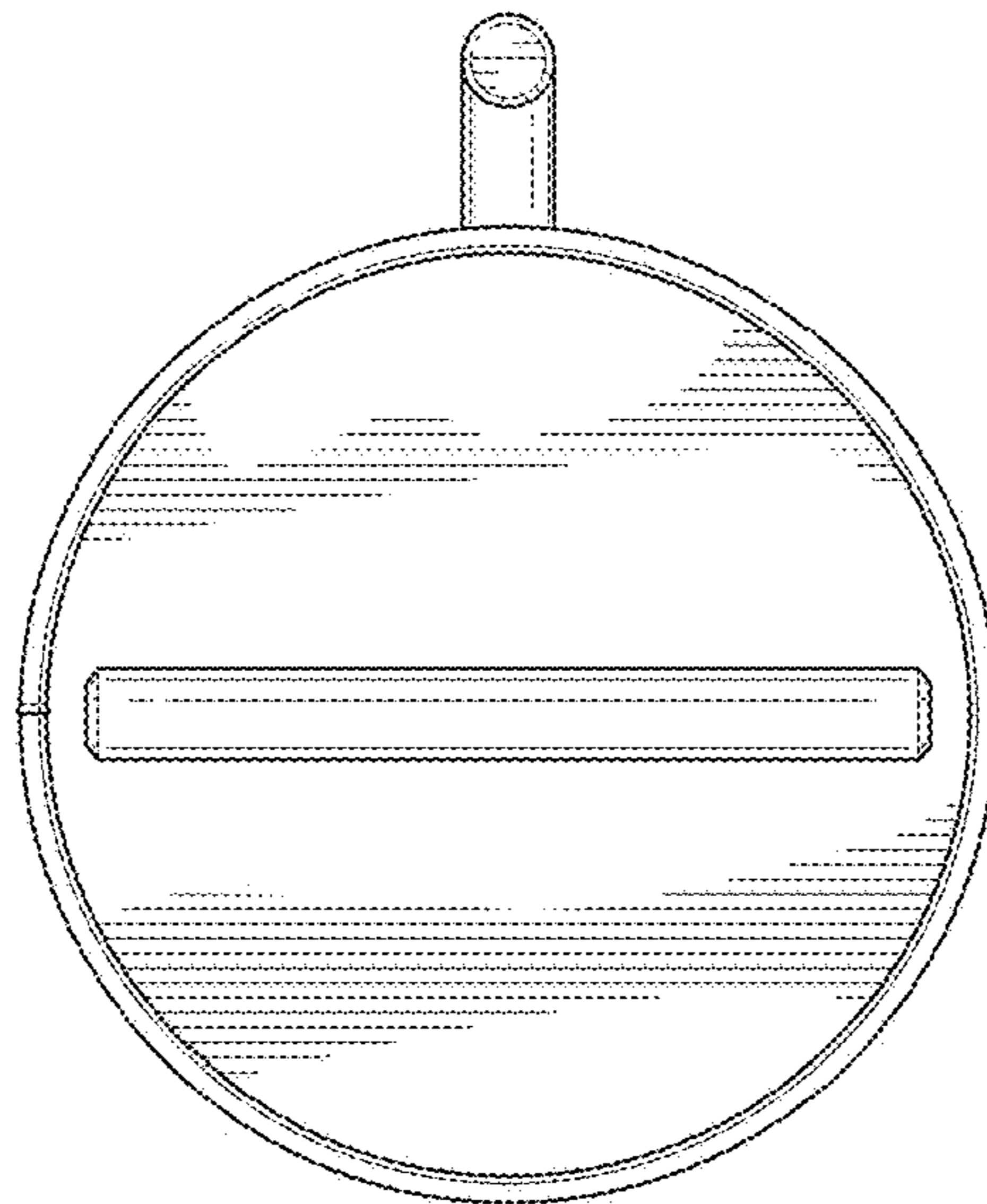


FIG. 5

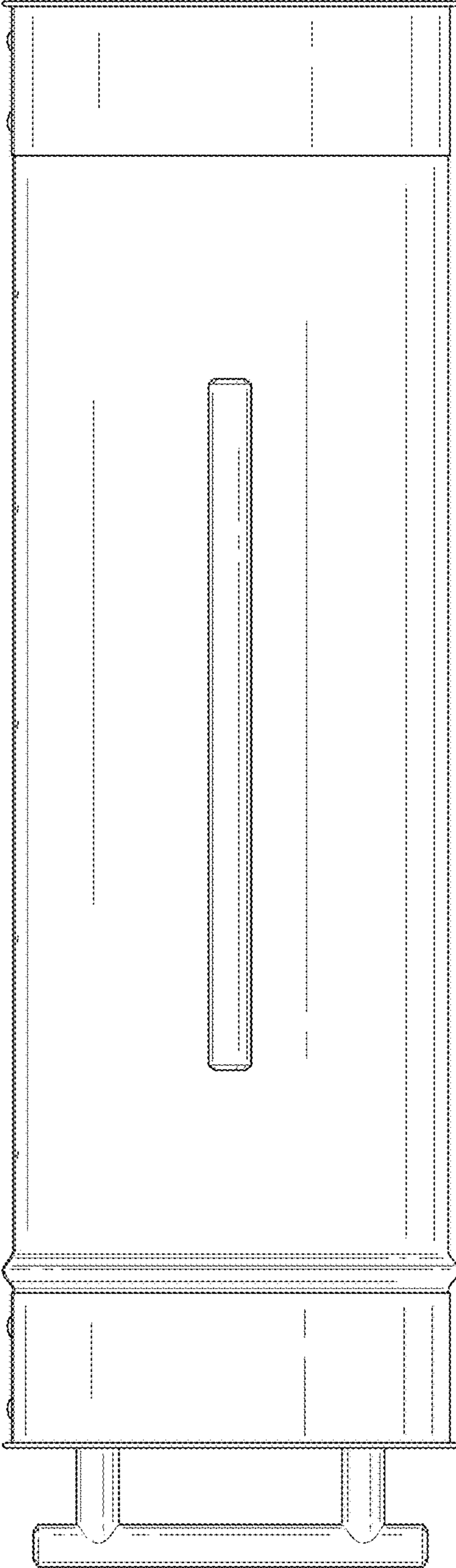


FIG. 6

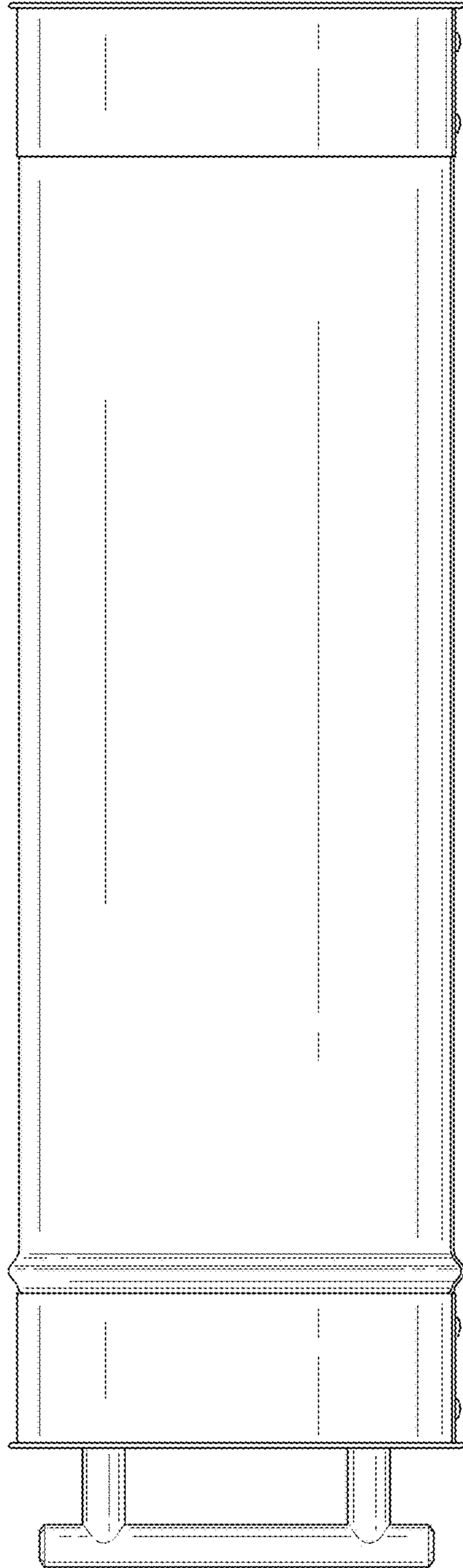


FIG. 7