



US00D838755S

(12) **United States Design Patent**  
**Takahashi**

(10) **Patent No.:** **US D838,755 S**  
(45) **Date of Patent:** **\*\* Jan. 22, 2019**

- (54) **CUTTING INSERT**
- (71) Applicant: **Mitsubishi Hitachi Tool Engineering, Ltd., Tokyo (JP)**
- (72) Inventor: **Hayato Takahashi, Chiba (JP)**
- (73) Assignee: **Mitsubishi Hitachi Tool Engineering, Ltd., Tokyo (JP)**
- (\*\*) Term: **15 Years**
- (21) Appl. No.: **29/604,508**
- (22) Filed: **May 18, 2017**

5,513,931 A *	5/1996	Reiterman	.....	B23C 5/109
				407/113
D404,406 S *	1/1999	Satran	.....	D15/139
7,168,512 B2 *	1/2007	Schuffenhauer	.....	B23C 5/207
				175/426
D700,225 S *	2/2014	Waggle	.....	D15/139
D705,281 S *	5/2014	Heinasenaho	.....	D15/139
D738,412 S *	9/2015	Choi	.....	D15/139
D748,703 S *	2/2016	Nam	.....	D15/139
D752,664 S *	3/2016	Jung	.....	D15/139
D772,318 S *	11/2016	Nam	.....	D15/139
D794,101 S *	8/2017	Ryu	.....	D15/139
D806,150 S *	12/2017	Komiyama	.....	D15/139
D816,744 S *	5/2018	Lee	.....	D15/139
D822,080 S *	7/2018	Oh	.....	D15/139
D826,664 S *	8/2018	Matsubara	.....	D8/20
D828,414 S *	9/2018	Takahashi	.....	D15/139

(30) **Foreign Application Priority Data**

Nov. 25, 2016 (JP) ..... 2016-025663

(51) **LOC (11) Cl.** ..... **15-09**

(52) **U.S. Cl.**  
USPC ..... **D15/139**

(58) **Field of Classification Search**  
USPC ..... D15/127, 129, 138, 141, 139; D8/6, 20, D8/51, 70.1, 98-104, 105-107  
CPC ..... Y10T 407/23; Y10T 407/1924; Y10T 407/245; Y10T 408/9098; B23B 27/141; B23B 27/1614; B23B 2200/049; B23B 2200/323; B23B 2200/3681; B23C 2200/0411; B23C 2200/125; B23C 5/109; B23C 5/202; B23C 5/207  
See application file for complete search history.

(56) **References Cited**

**U.S. PATENT DOCUMENTS**

D347,642 S \* 6/1994 Lindberg ..... D15/139  
5,368,418 A \* 11/1994 Bentjens ..... B23C 5/109  
407/114

\* cited by examiner

*Primary Examiner* — Rosemary K Tarcza

*Assistant Examiner* — Nathaniel D. Buckner

(74) *Attorney, Agent, or Firm* — Banner & Witcoff, Ltd.

(57) **CLAIM**

The ornamental design for a cutting insert, as shown and described.

**DESCRIPTION**

FIG. 1 is a front perspective view of a cutting insert.  
FIG. 2 is a rear perspective view thereof.  
FIG. 3 is a front elevation view thereof.  
FIG. 4 is a rear elevation view thereof.  
FIG. 5 is a top plan view thereof.  
FIG. 6 is a bottom plan view thereof.  
FIG. 7 is a right side elevation view thereof; and,  
FIG. 8 is a left side elevation view thereof.  
The broken lines shown in the drawings illustrate portions of the cutting insert that form no part of the claimed design.

**1 Claim, 8 Drawing Sheets**

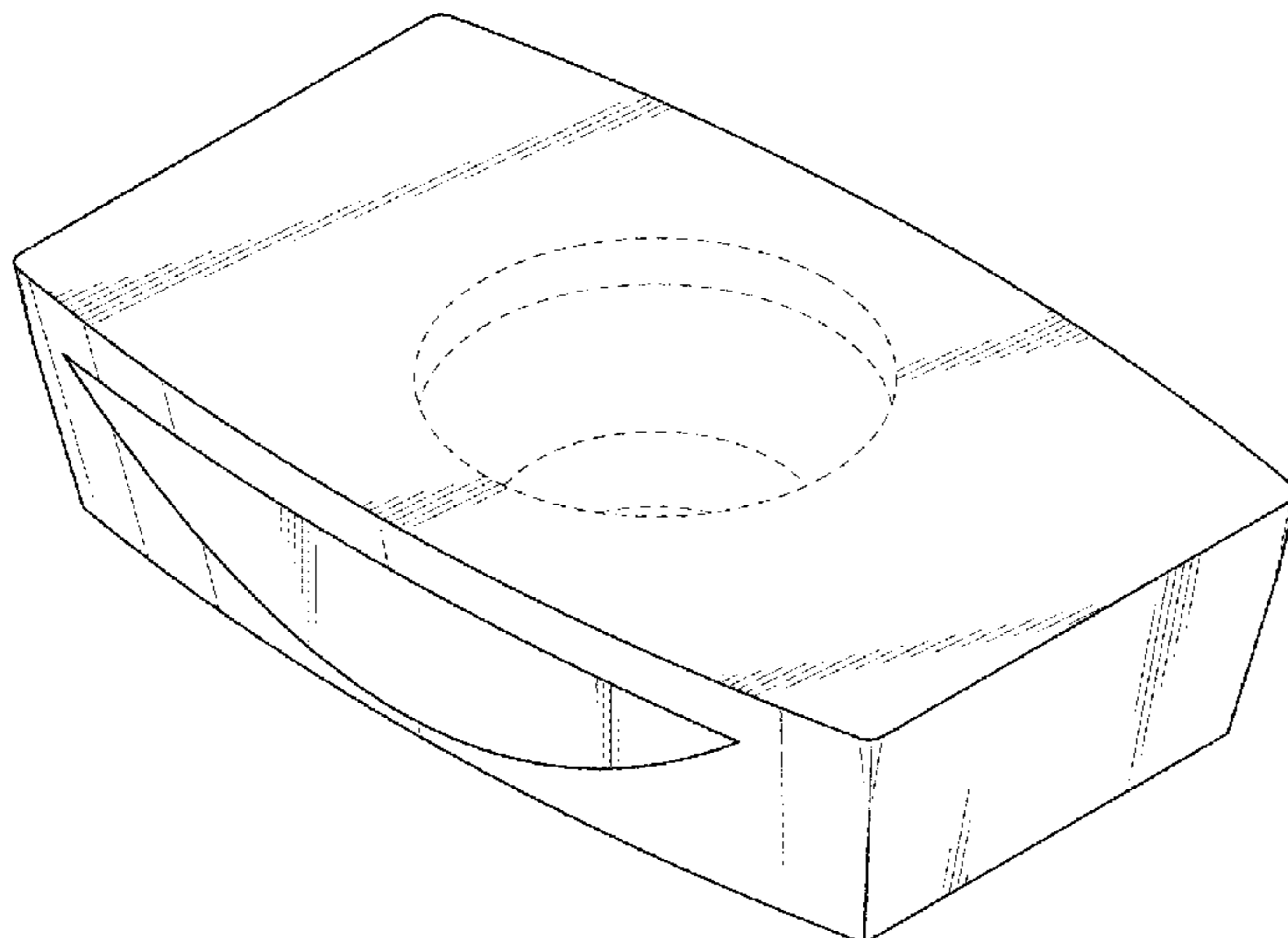


FIG. 1

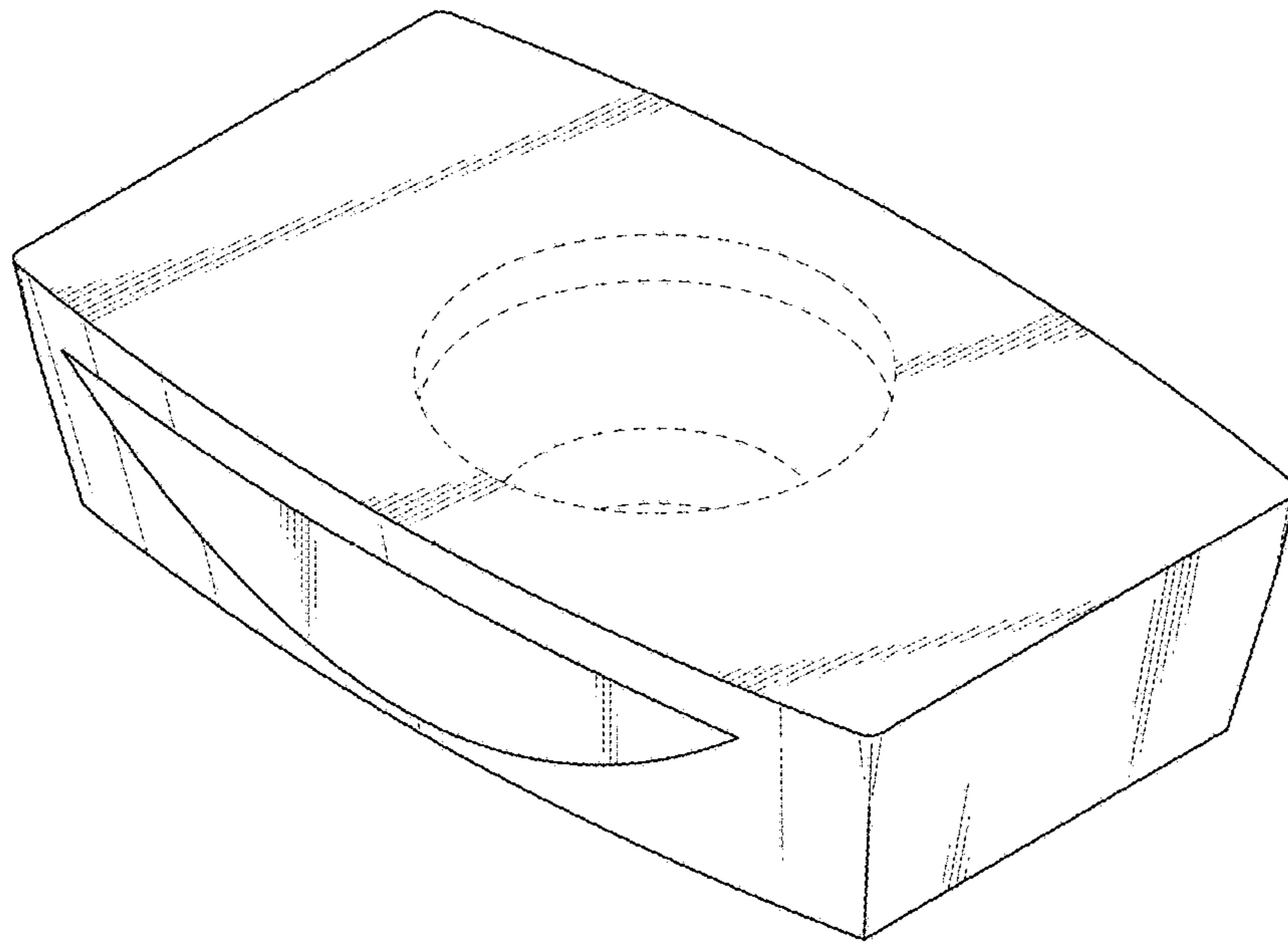


FIG. 2

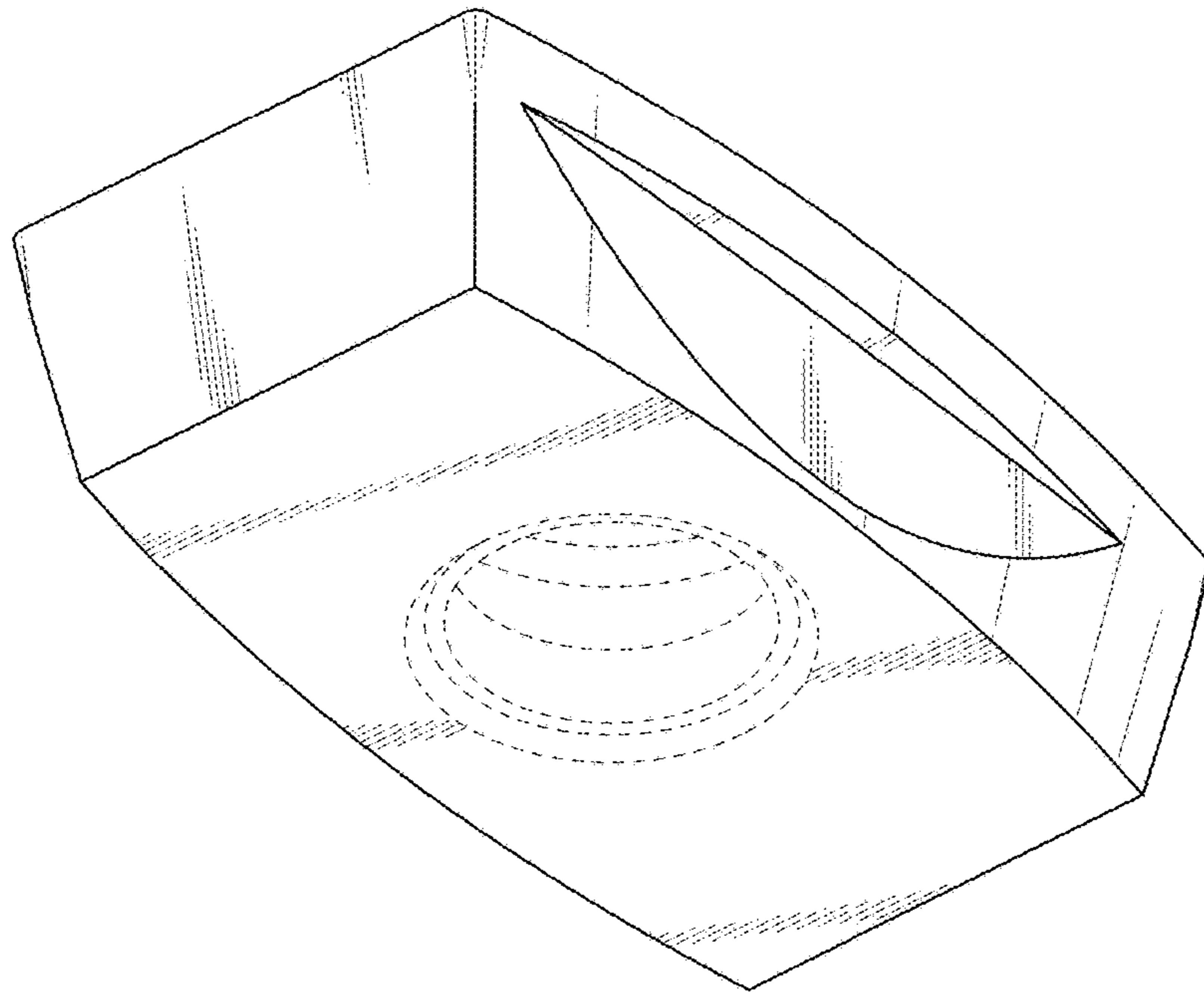


FIG. 3

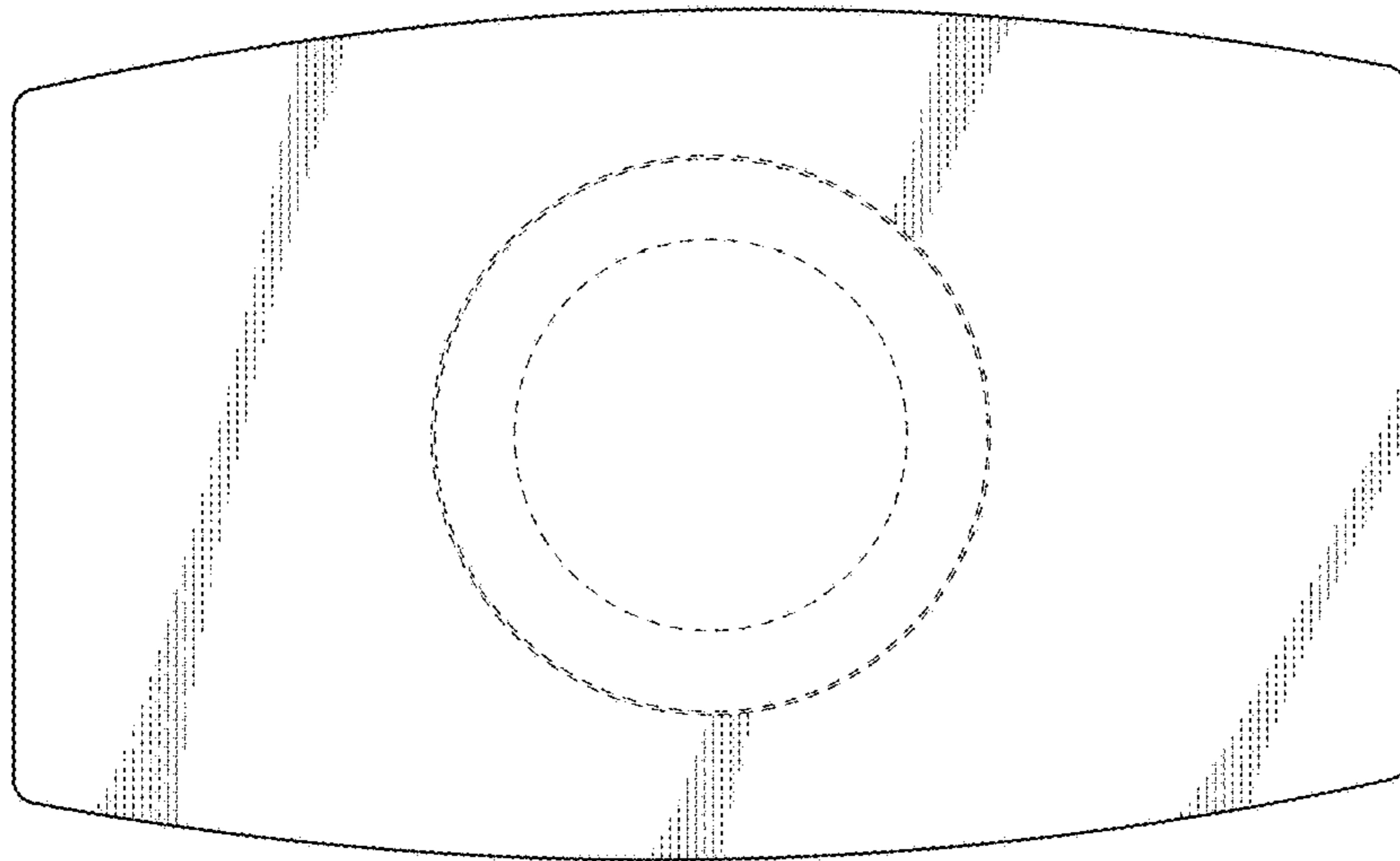


FIG. 4

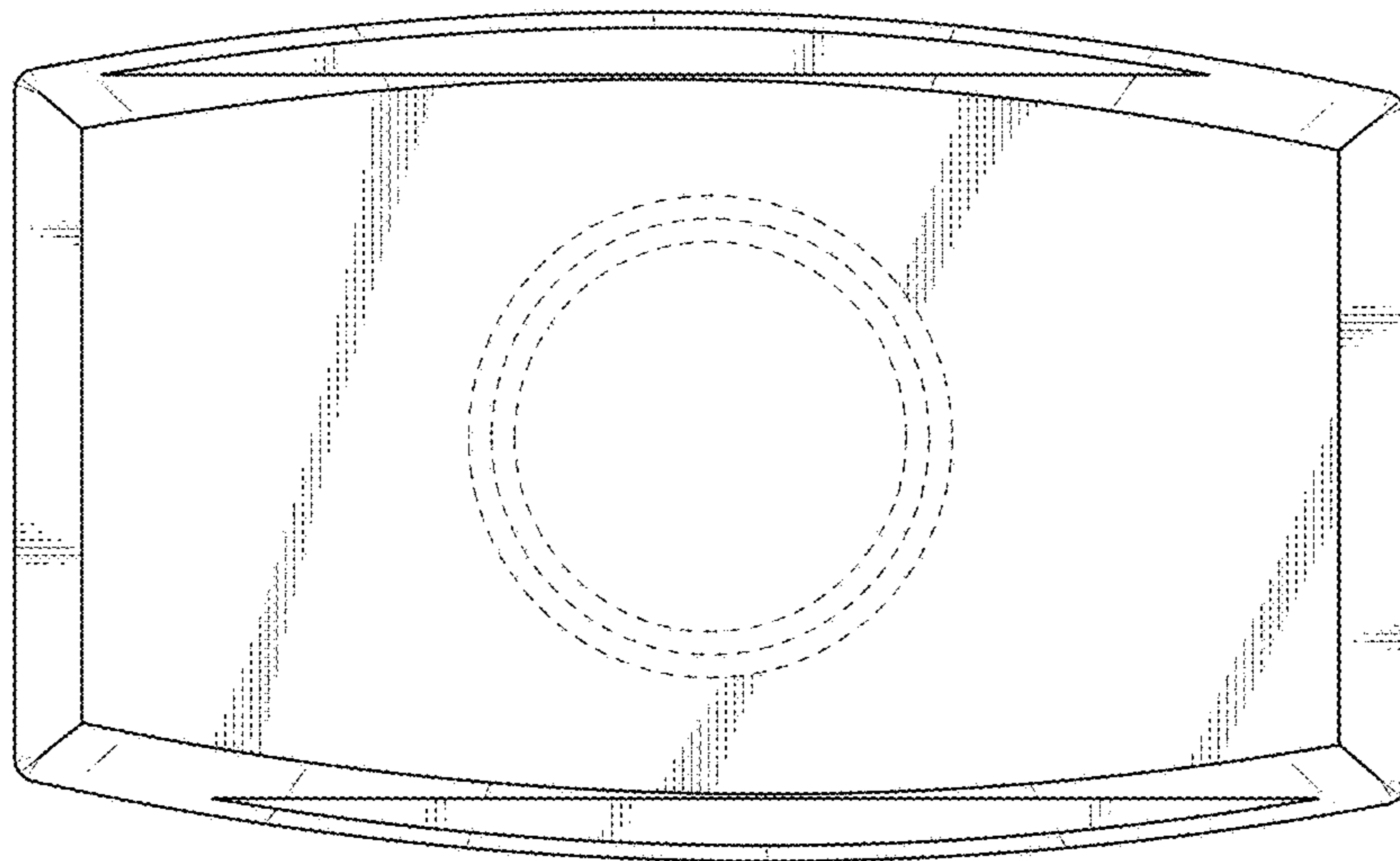


FIG. 5

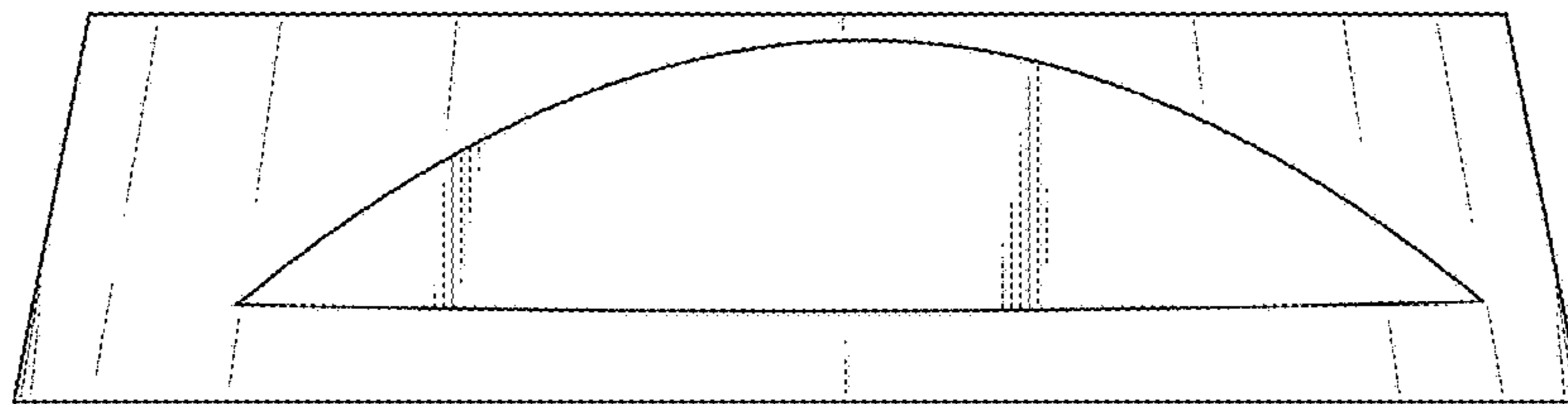


FIG. 6

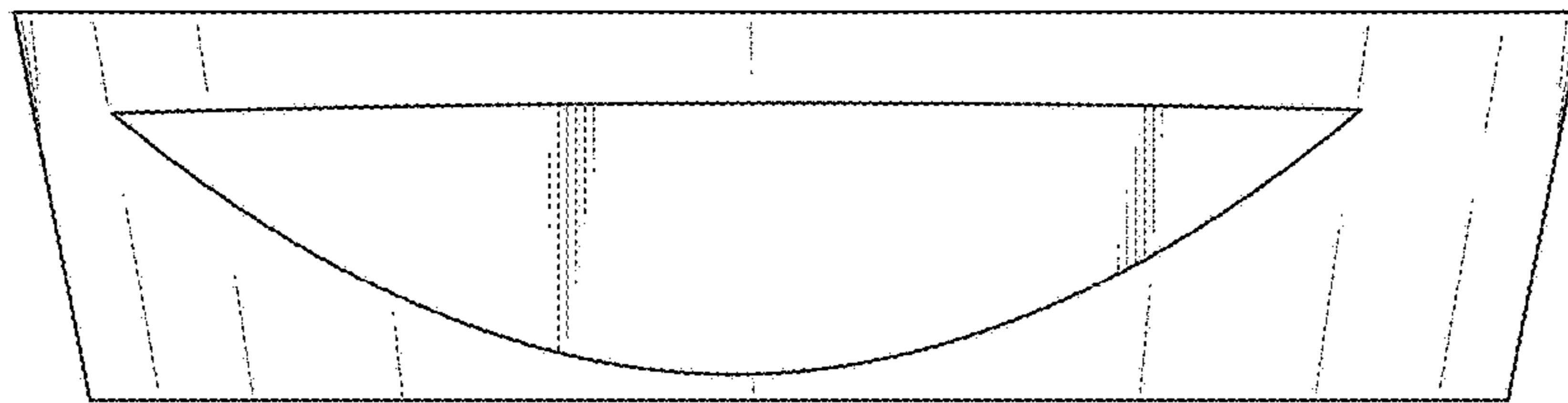


FIG. 7

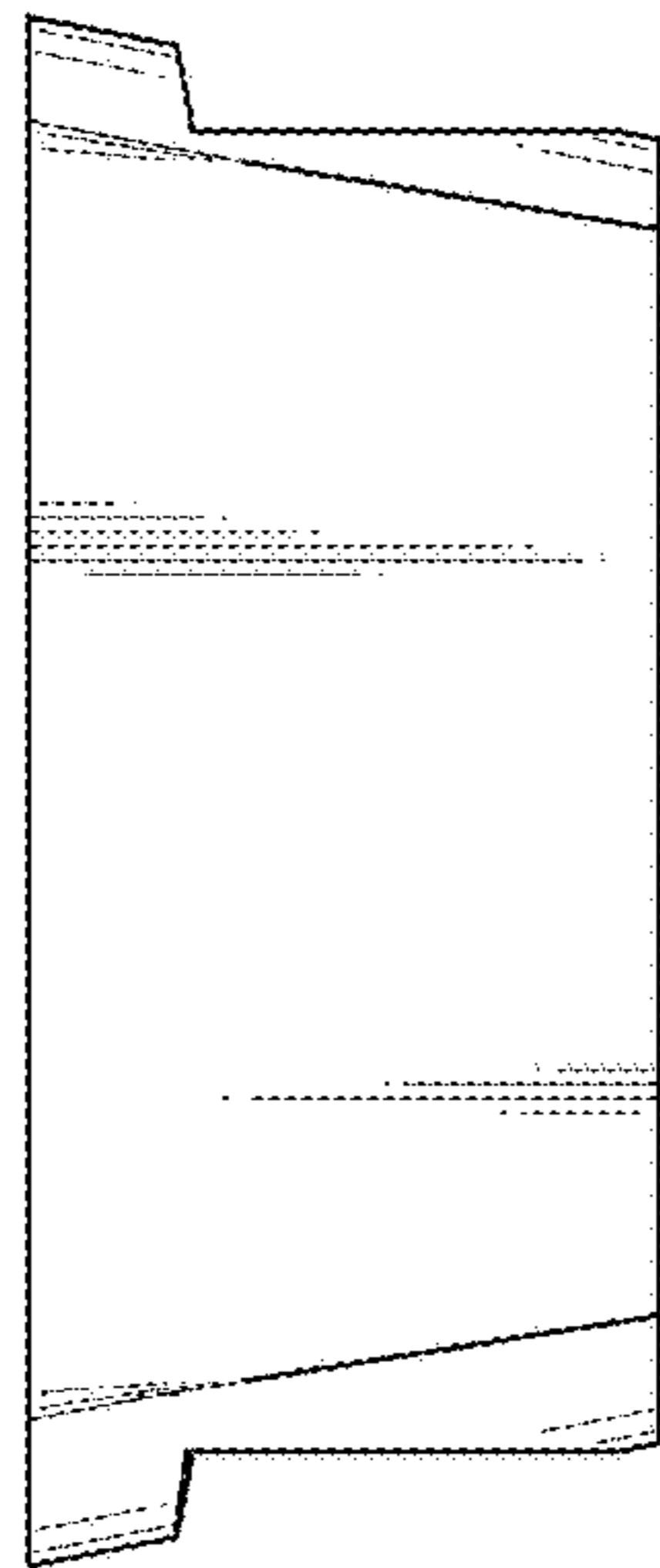




FIG. 8

