



US00D838754S

(12) **United States Design Patent**
Wang

(10) **Patent No.:** **US D838,754 S**
(45) **Date of Patent:** **** Jan. 22, 2019**

- (54) **HOLE-DRILLING TOOL**
- (71) Applicant: **Compass Corporation**, Tainan (TW)
- (72) Inventor: **Tzu-Chien Wang**, Tainan (TW)
- (73) Assignee: **Compass Corporation**, Tainan (TW)
- (**) Term: **15 Years**
- (21) Appl. No.: **29/602,570**
- (22) Filed: **May 4, 2017**
- (51) **LOC (11) Cl.** **15-09**
- (52) **U.S. Cl.**
USPC **D15/139**; D8/70
- (58) **Field of Classification Search**
USPC D8/70; D15/138, 139, 140
CPC B23B 51/0406; B23B 51/0473; Y10T
408/885; Y10T 408/8957; Y10T 408/9098
See application file for complete search history.

- D701,544 S * 3/2014 Novak D15/139
- D711,441 S * 8/2014 Novak D15/139
- 9,579,732 B2 * 2/2017 Piller B23B 51/0406
- 9,586,270 B2 * 3/2017 Zielonka B23B 51/0406
- D786,645 S * 5/2017 Svendsen D15/139
- D789,428 S * 6/2017 Novak D15/139
- 9,808,869 B2 * 11/2017 Novak B23B 51/0406
- D813,003 S * 3/2018 Chang D8/70

* cited by examiner

Primary Examiner — Darlington Ly
(74) *Attorney, Agent, or Firm* — Alan D. Kamrath;
Kamrath IP Lawfirm, P.A.

(57) **CLAIM**

The ornamental design for a hole-drilling tool, as shown and described.

DESCRIPTION

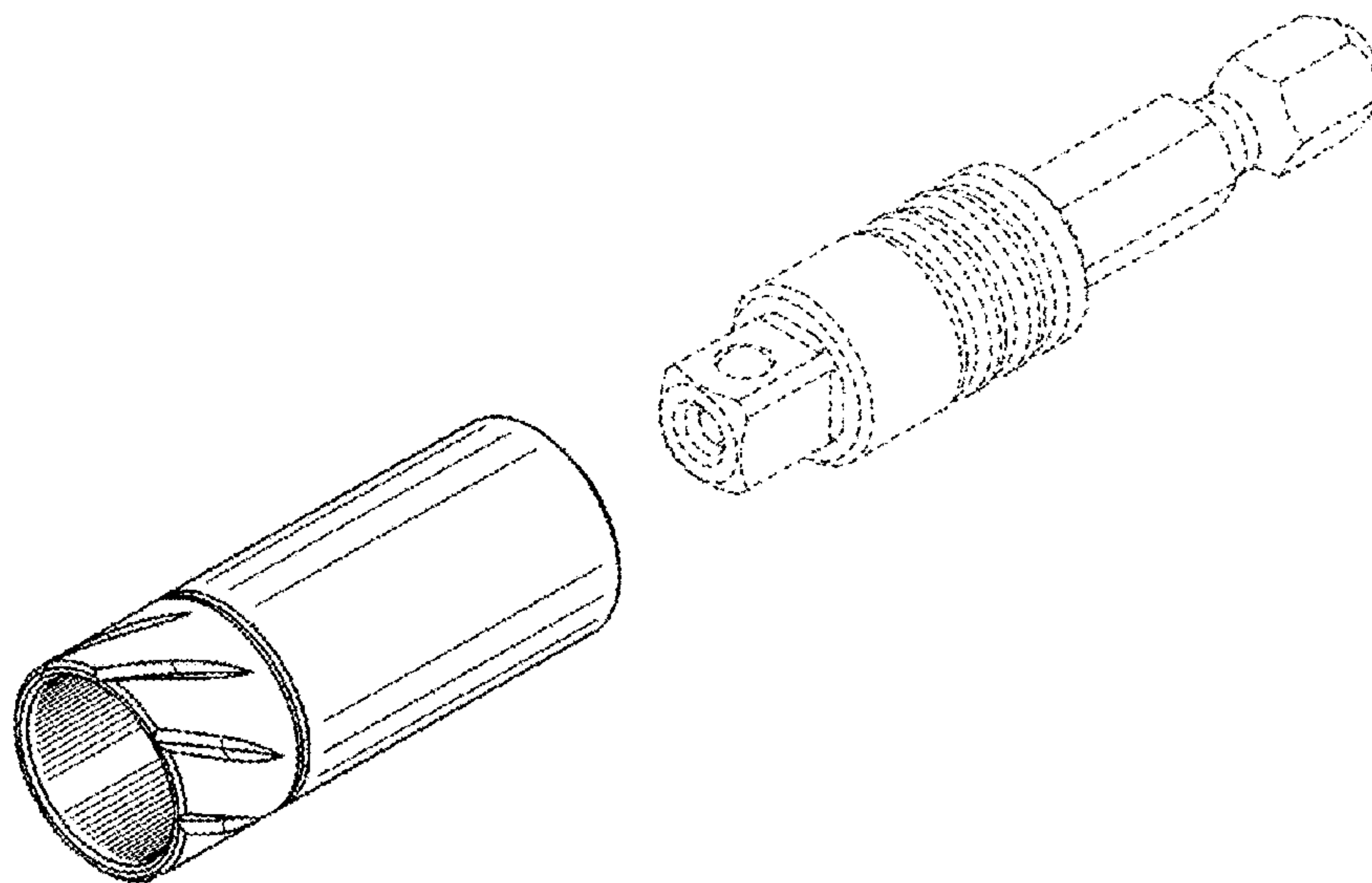
FIG. 1 is a perspective view of the hole-drilling tool showing my new design;
FIG. 2 is a front elevation view thereof;
FIG. 3 is a rear elevation view thereof;
FIG. 4 is a left side elevation view thereof;
FIG. 5 is a right side elevation view thereof;
FIG. 6 is a top plan view thereof;
FIG. 7 is a bottom plan view thereof; and,
FIG. 8 is an exploded perspective view thereof.
The broken lines in the drawings illustrate portions of the hole-drilling tool that form no part of the claimed design.

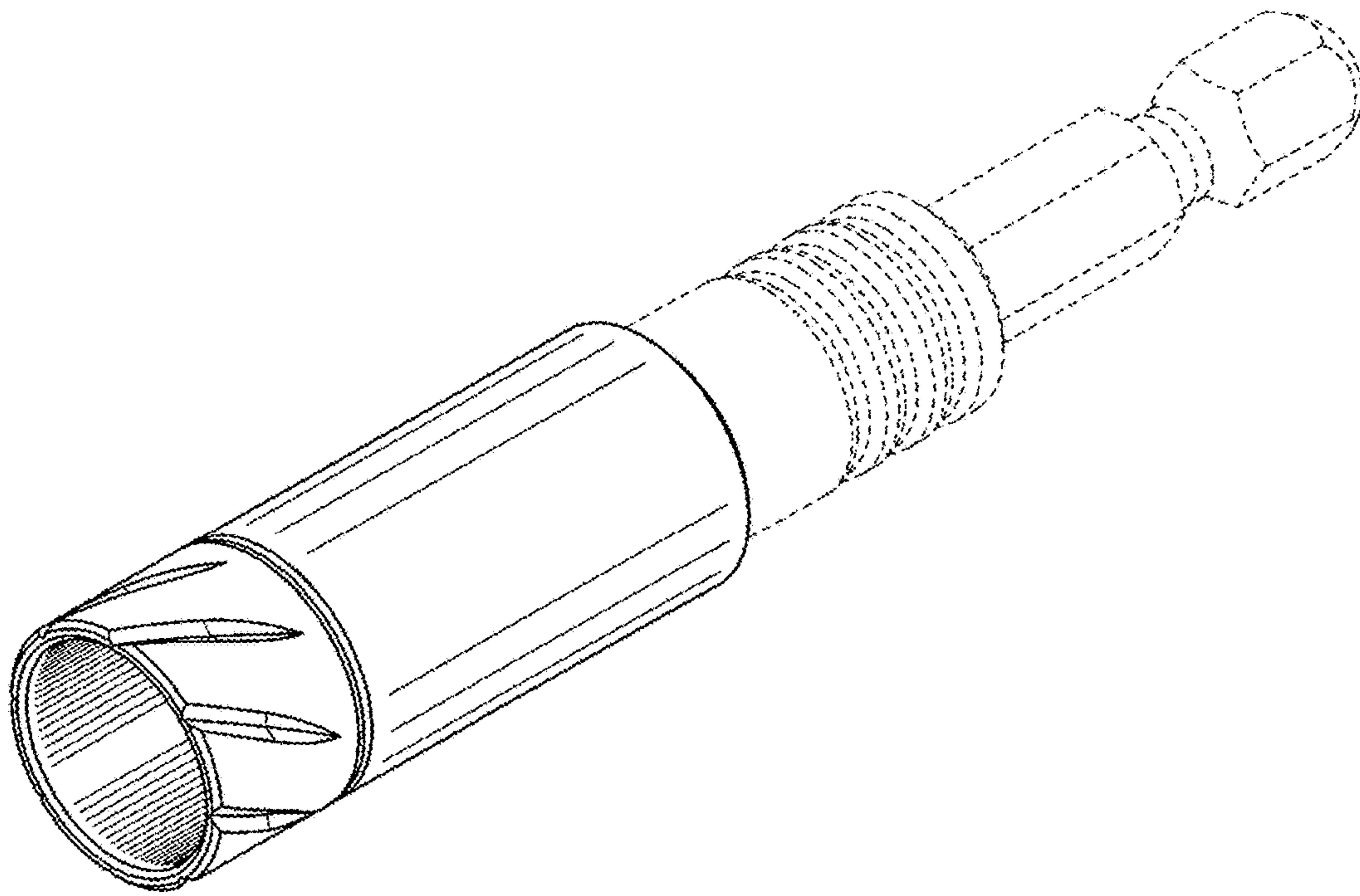
1 Claim, 8 Drawing Sheets

(56) **References Cited**

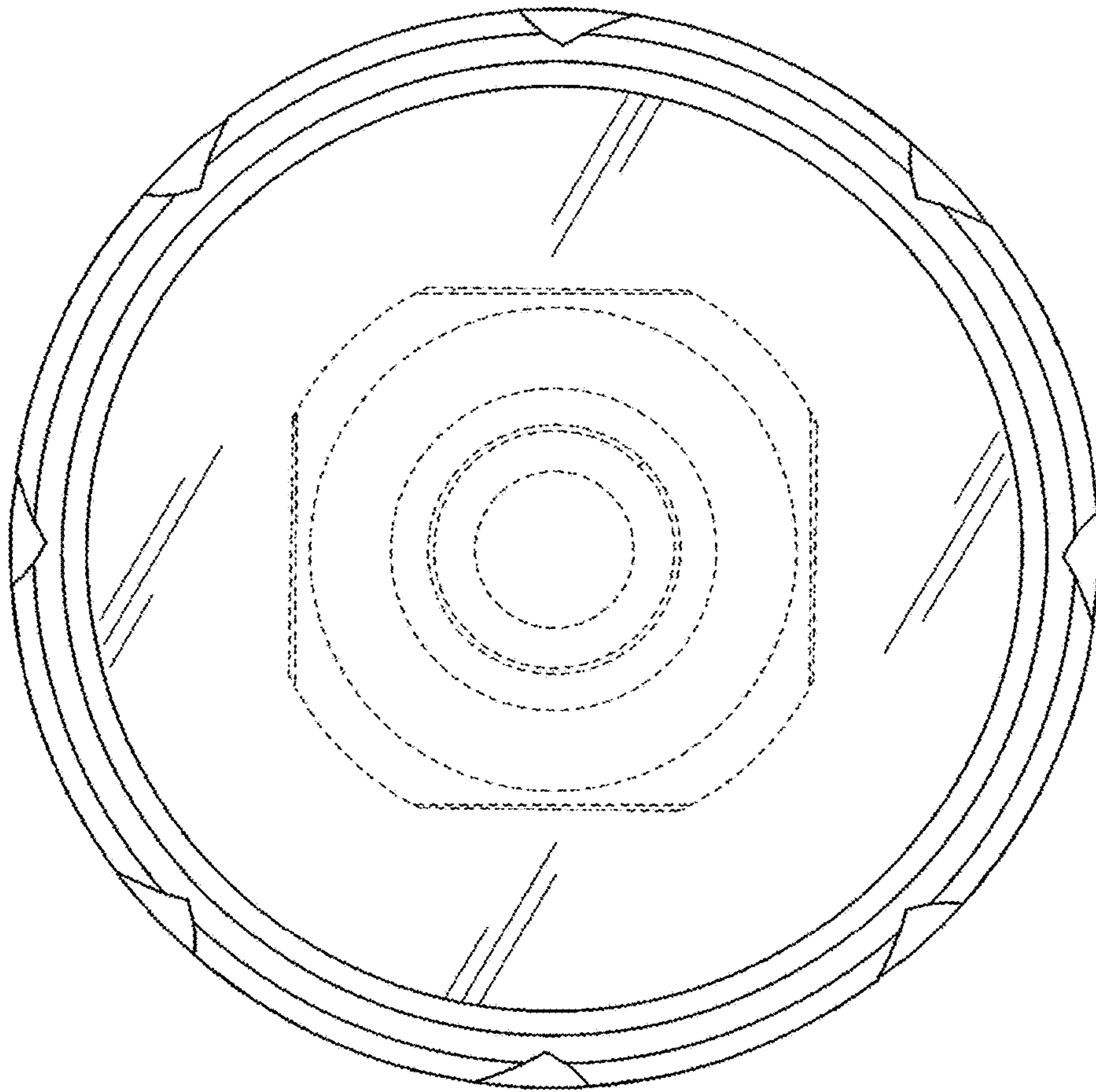
U.S. PATENT DOCUMENTS

- 4,500,234 A * 2/1985 Orth B23B 51/042
408/204
- D303,118 S * 8/1989 Cox D15/139
- D478,919 S * 8/2003 Morton D15/139
- D516,594 S * 3/2006 Morton D15/139
- 7,066,371 B2 * 6/2006 Villela B25C 1/04
227/142
- D551,269 S * 9/2007 Burke, III D15/139
- D634,343 S * 3/2011 Burke, III D15/139
- D664,574 S * 7/2012 Burke, III D15/139





F I G . 1



F I G . 2

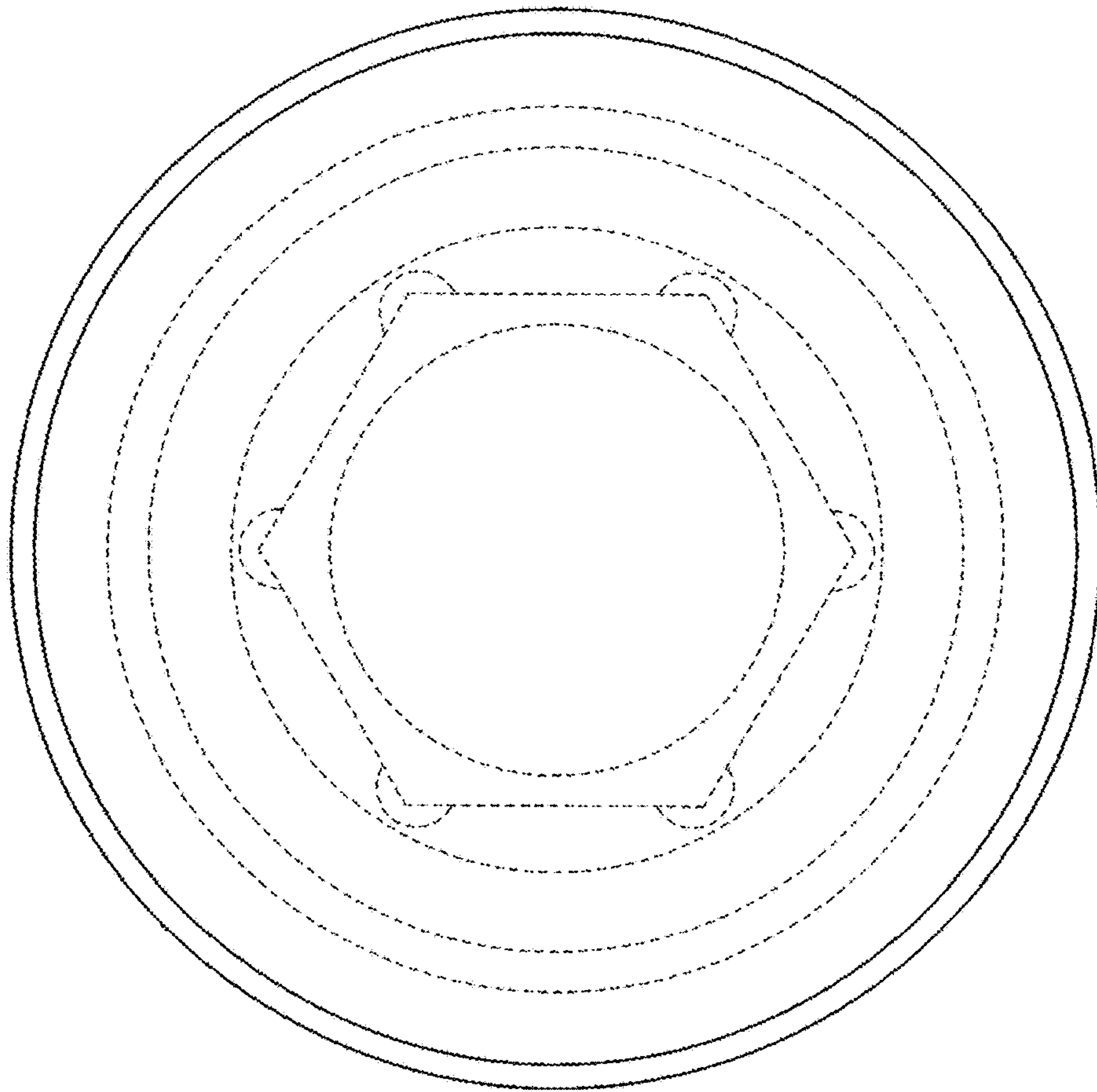


FIG. 3

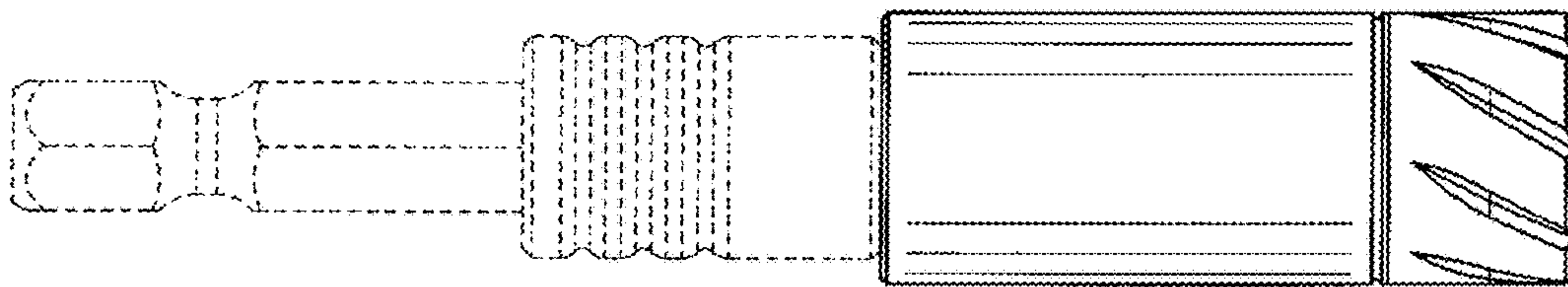


FIG. 4

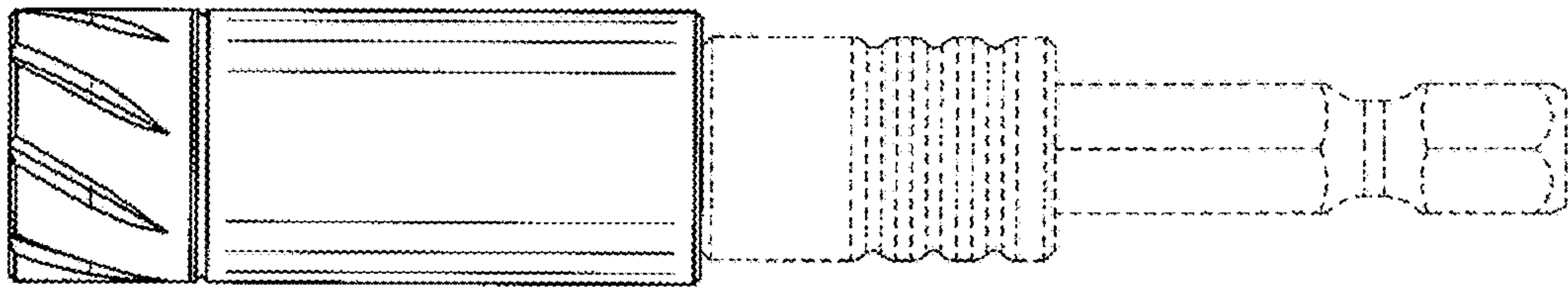


FIG. 5

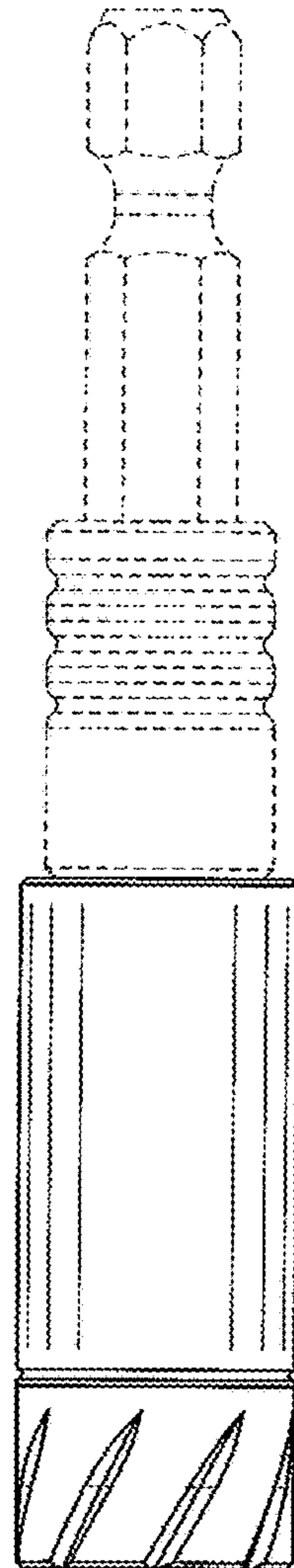


FIG. 6

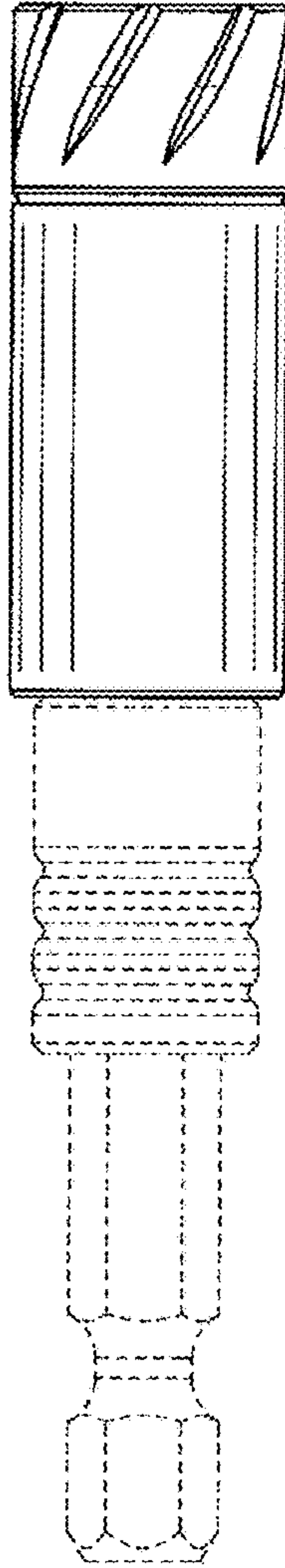


FIG. 7

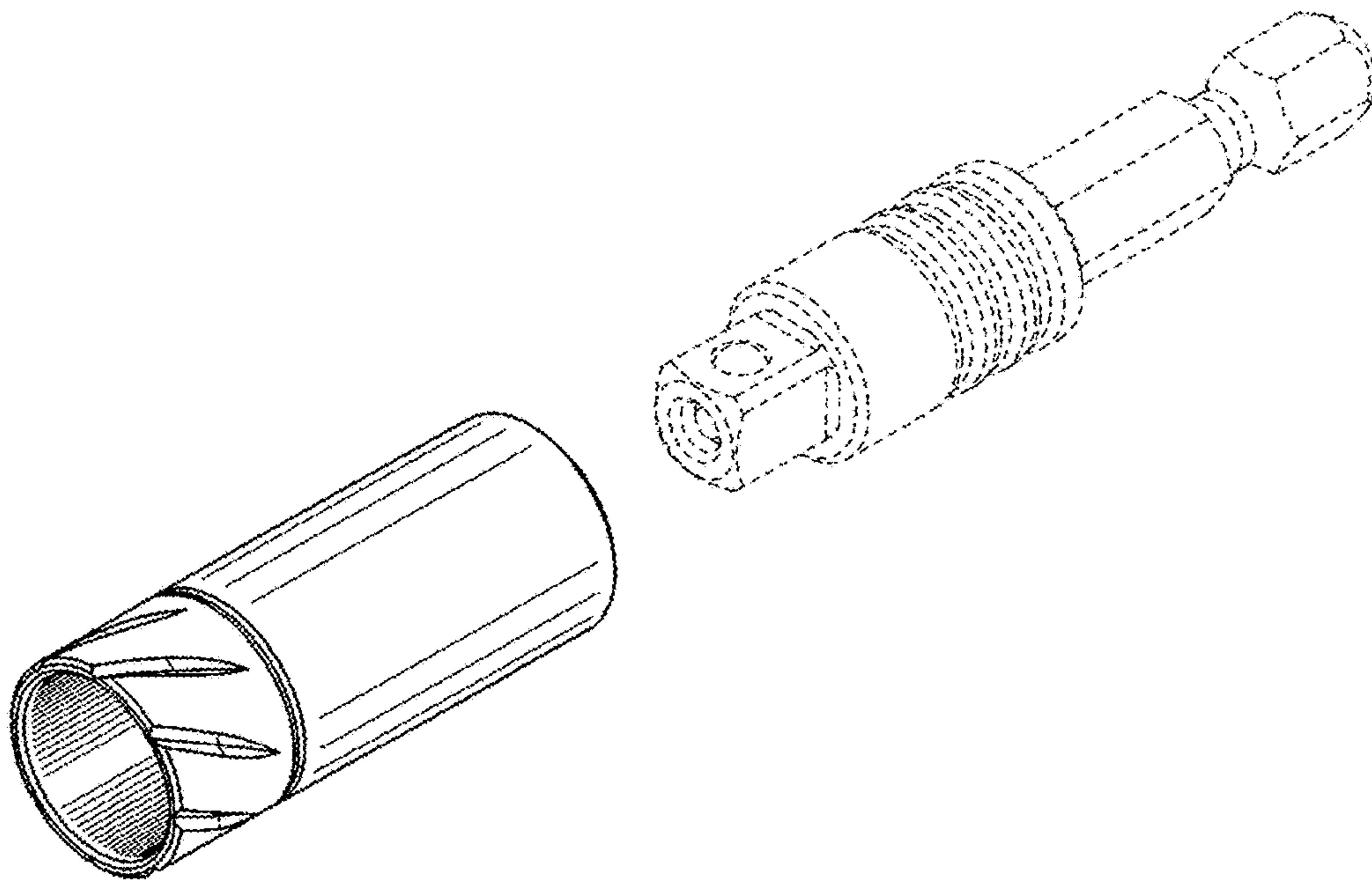


FIG. 8