

US00D838752S

(12) **United States Design Patent**
Fredenburg

(10) **Patent No.:** **US D838,752 S**
(45) **Date of Patent:** **** Jan. 22, 2019**

(54) **TRACK BELT FOR IRRIGATION SYSTEMS**

(71) Applicant: **LINDSAY CORPORATION**, Omaha, NE (US)

(72) Inventor: **Michael S. Fredenburg**, Hickman, NE (US)

(73) Assignee: **Lindsay Corporation**, Omaha, NE (US)

(**) Term: **15 Years**

(21) Appl. No.: **29/602,121**

(22) Filed: **Apr. 28, 2017**

(51) **LOC (11) Cl.** **12-09**

(52) **U.S. Cl.**
USPC **D15/28**

(58) **Field of Classification Search**
USPC D15/24, 28-29; 305/39, 53, 165, 167; 239/173, 175, 735, 741, 744, 750; 152/56; D12/512; D23/214, 219, 259, D23/269, 262; 285/5; 277/311, 277/351-354, 357-358, 433-434, 458, 277/604; 301/43
CPC B62D 55/06; B62D 55/244; B60B 15/02; B60B 15/025

See application file for complete search history.

(56) **References Cited**

U.S. PATENT DOCUMENTS

1,257,763 A * 2/1918 Tamaki B60C 27/16 152/175
2,190,370 A * 2/1940 Smallwood B60B 15/02 152/175

3,899,220 A * 8/1975 Grawey B60C 11/14 152/182
D309,314 S * 7/1990 Grawey D15/24
7,484,734 B2 * 2/2009 Anderberg F16J 15/002 277/306
D675,651 S * 2/2013 Lane D15/28
9,242,510 B2 * 1/2016 Korus B60C 7/10
9,283,810 B2 * 3/2016 Korus B60C 7/24
9,302,539 B2 * 4/2016 Korus A01G 25/092
2003/0042686 A1 * 3/2003 Roberts B25C 1/08 277/434
2014/0110992 A1 * 4/2014 Korus B60C 7/24 301/17
2015/0151570 A1 * 6/2015 Woolley B60B 15/02 301/44.3
2015/0202926 A1 * 7/2015 Fredenburg B60C 7/00 152/209.12
2018/0093528 A1 * 4/2018 Schaedler B60B 9/02

* cited by examiner

Primary Examiner — Eric L Goodman

Assistant Examiner — Amy C Wierenga

(74) *Attorney, Agent, or Firm* — Hovey Williams LLP

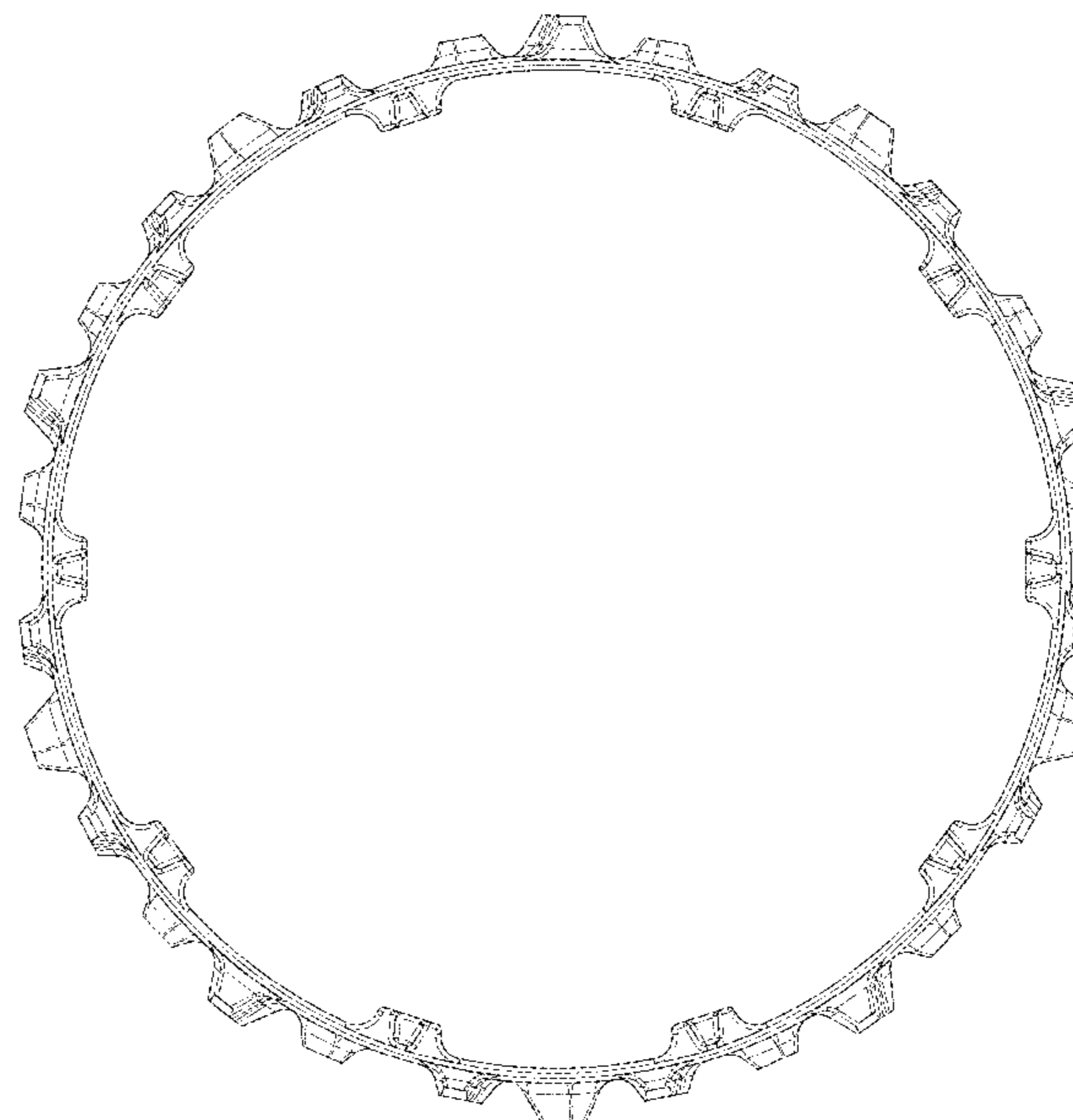
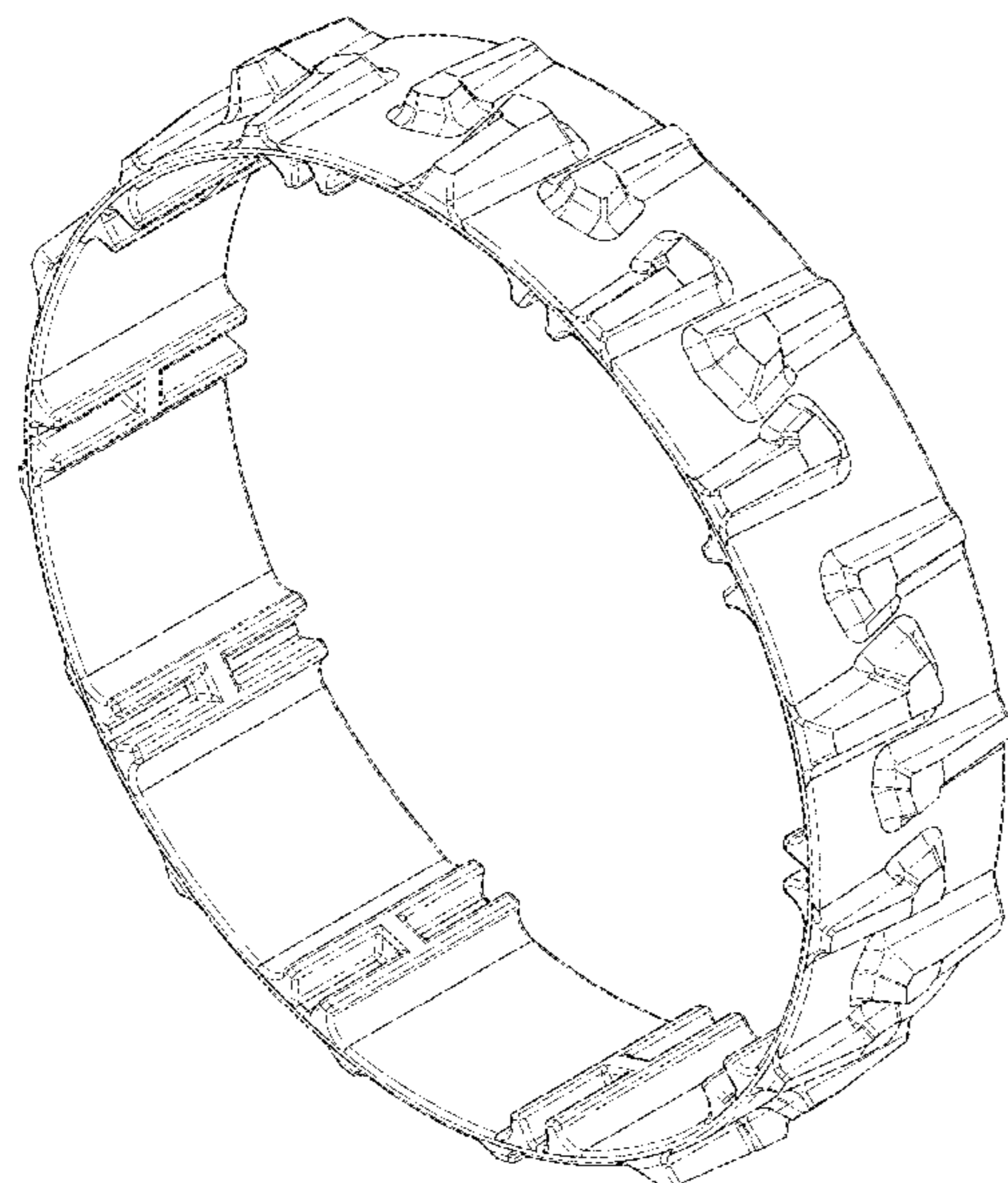
(57) **CLAIM**

The ornamental design for a track belt for irrigation systems, as shown and described.

DESCRIPTION

FIG. 1 is a perspective view of the track belt for irrigation system;
FIG. 2 is a front elevational view of the track belt;
FIG. 3 is a top plan view of the track belt; and,
FIG. 4 is a right side elevational view of the track belt.

1 Claim, 3 Drawing Sheets



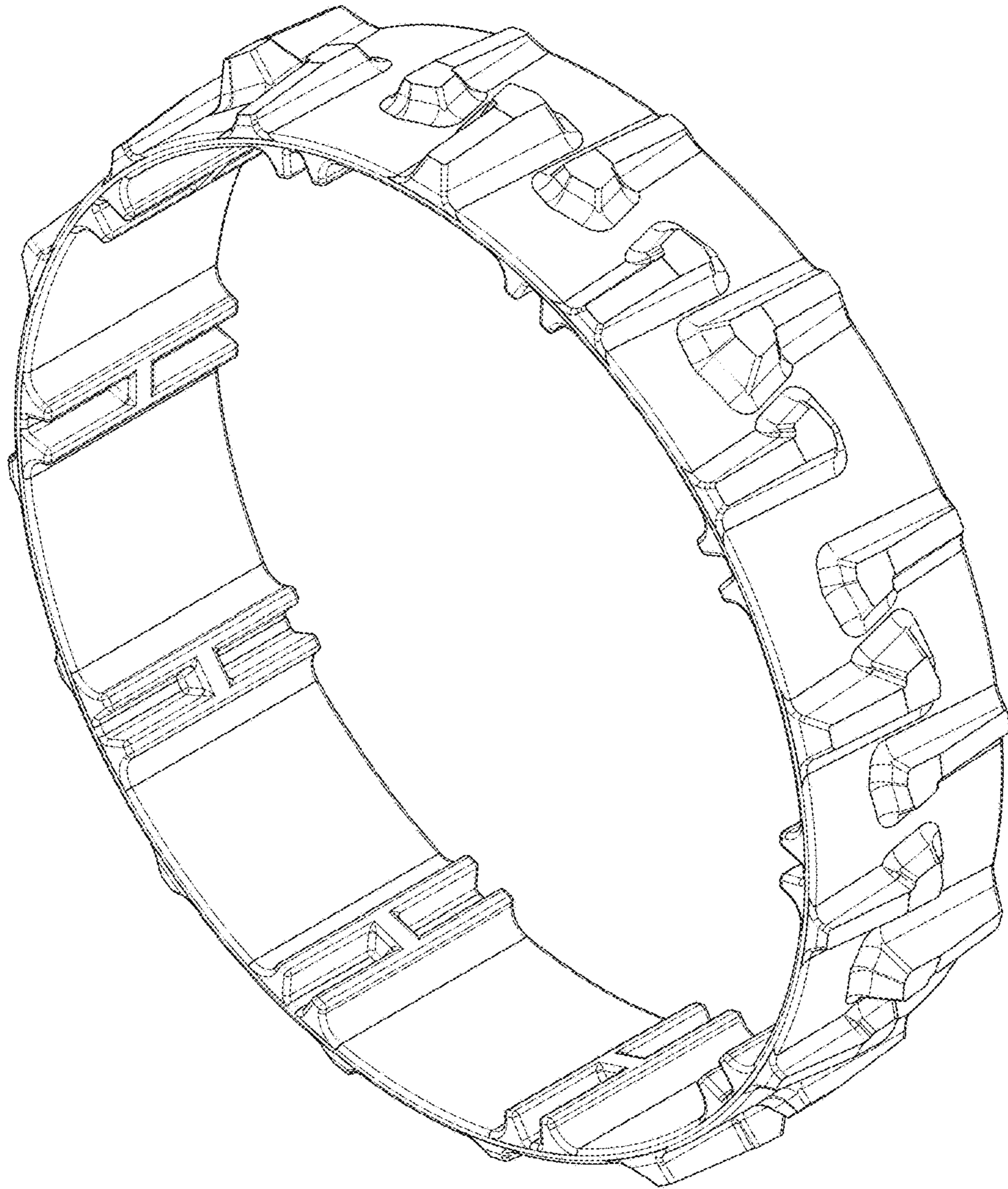


Fig. 1.

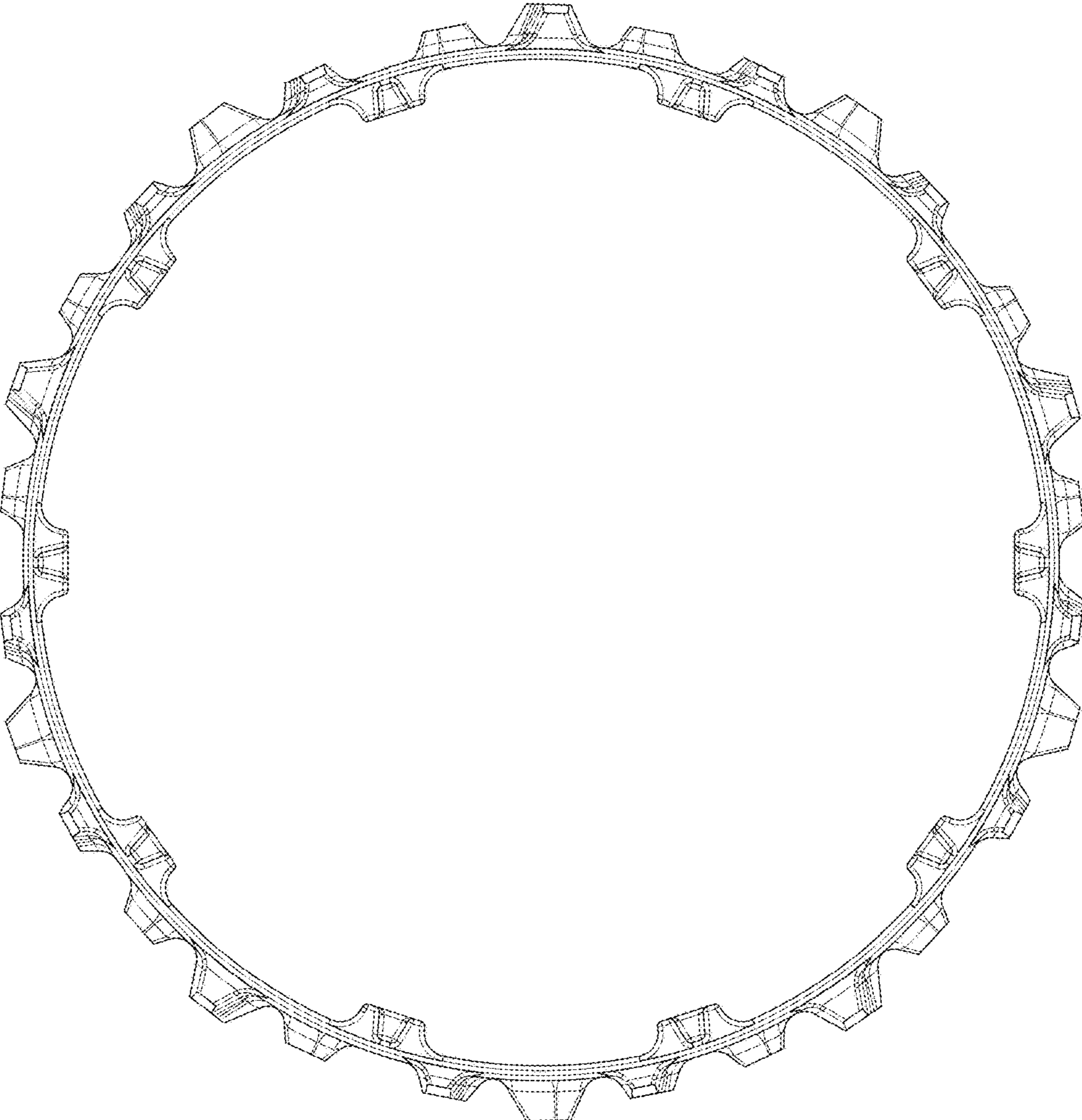


Fig. 2.

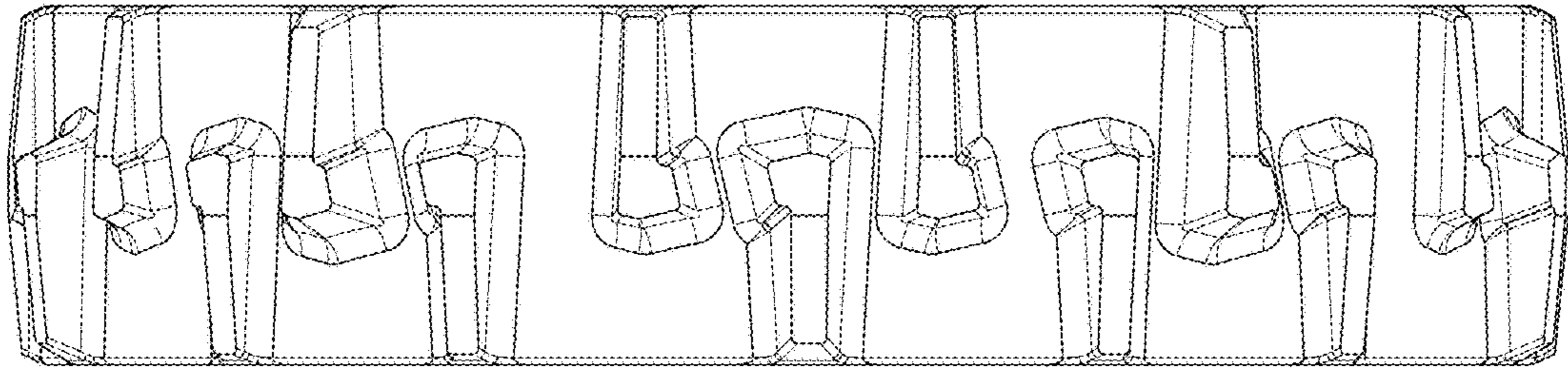


Fig. 3.

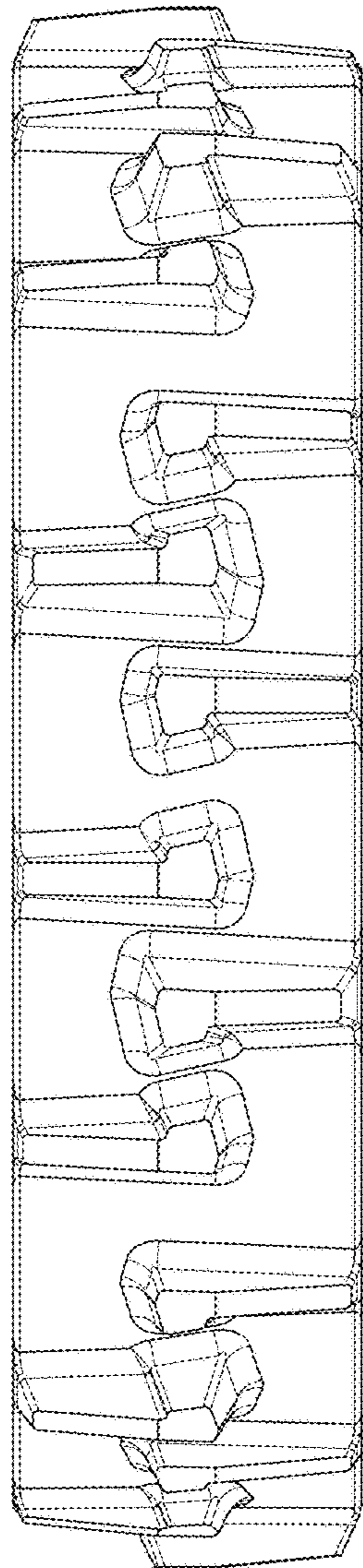


Fig. 4.