



US00D838751S

(12) **United States Design Patent**  
**Wood**

(10) **Patent No.:** **US D838,751 S**

(45) **Date of Patent:** **\*\* Jan. 22, 2019**

(54) **COMPRESSOR**

(71) Applicant: **Wood Industries Inc.**, Belmont, MS  
(US)

(72) Inventor: **Jeffery O. Wood**, Belmont, MS (US)

(73) Assignee: **Wood Industries, Inc.**, Belmont, MS  
(US)

(\*\*) Term: **15 Years**

(21) Appl. No.: **29/631,706**

(22) Filed: **Jan. 2, 2018**

(51) **LOC (11) Cl.** ..... **15-02**

(52) **U.S. Cl.**  
USPC ..... **D15/9**

(58) **Field of Classification Search**  
USPC ..... D15/7-9; D23/231, 232, 225; 417/60,  
417/235, 265, 321, 355, 358, 363, 359,  
417/410.1, 411, 415-416, 405, 900, 269,  
417/539; 60/408, 412; 184/26-37;  
415/140-147; 123/495, 509; 137/565.34  
CPC ..... F02M 37/04; F02M 37/14; F04B 53/92;  
F04B 1/005; F04D 13/06; F04D 29/22;  
F04D 29/046; F04D 29/2266

See application file for complete search history.

(56) **References Cited**

U.S. PATENT DOCUMENTS

4,077,747	A *	3/1978	Burenga	.....	F04B 35/06
					417/234
D352,293	S *	11/1994	Morgan	.....	D15/7
D446,792	S *	8/2001	Matthew	.....	D15/9
D511,782	S *	11/2005	Hosking	.....	D15/9
D519,126	S *	4/2006	Leasure	.....	D15/9

D535,309	S *	1/2007	Breecham	.....	D15/9
D546,840	S *	7/2007	Sinders	.....	D15/9
D562,851	S *	2/2008	Leasure	.....	D15/9
D576,512	S *	9/2008	Leasure	.....	D15/7
D589,065	S *	3/2009	Leasure	.....	D15/9
D589,066	S *	3/2009	Leasure	.....	D15/9
D636,409	S *	4/2011	Wilmes	.....	D15/9
D637,211	S *	5/2011	Parks	.....	D15/9
D645,059	S *	9/2011	Hernandez	.....	D15/9
D806,757	S *	1/2018	Wood	.....	D15/9

\* cited by examiner

*Primary Examiner* — Ralf Seifert

(74) *Attorney, Agent, or Firm* — Waller Lansden Dortch & Davis, LLP; Matthew C. Cox

(57) **CLAIM**

What is claimed is the ornamental design for a “compressor,” as shown and described.

**DESCRIPTION**

FIG. 1 is a perspective of the “compressor” of Applicant’s invention.

FIG. 2 is a right side view of the “compressor” of Applicant’s invention.

FIG. 3 is a left side view of the “compressor” of Applicant’s invention.

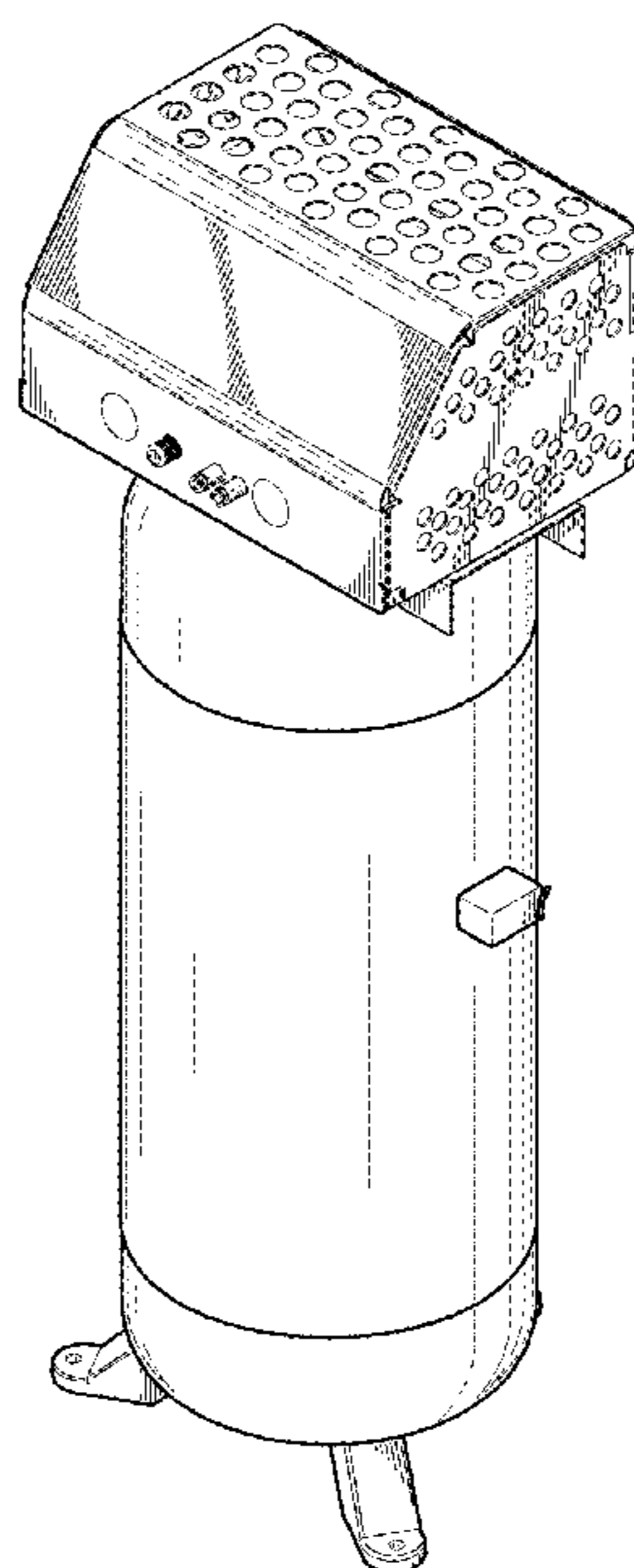
FIG. 4 is a front view of the “compressor” of Applicant’s invention.

FIG. 5 is a back view of the “compressor” of Applicant’s invention.

FIG. 6 is a top view of the “compressor” of Applicant’s invention; and,

FIG. 7 is a bottom view of the “compressor” of Applicant’s invention.

**1 Claim, 6 Drawing Sheets**



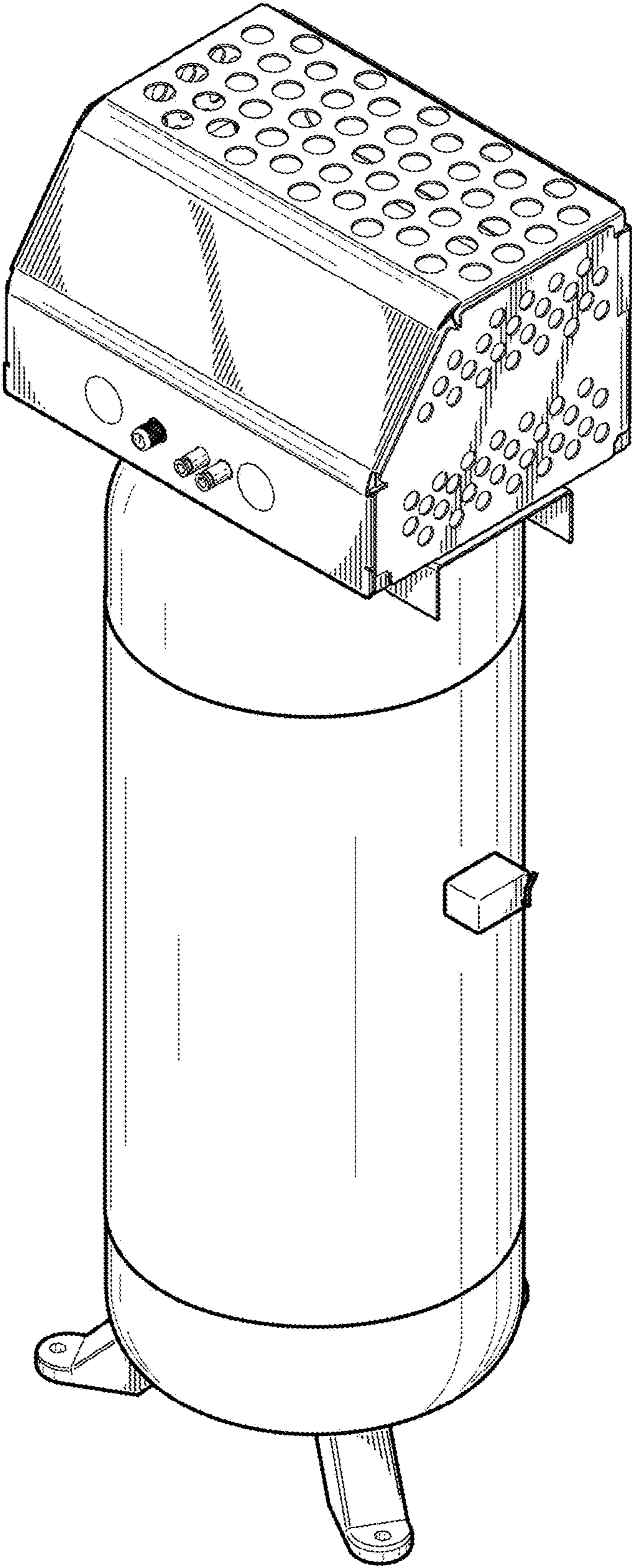


FIG. 1

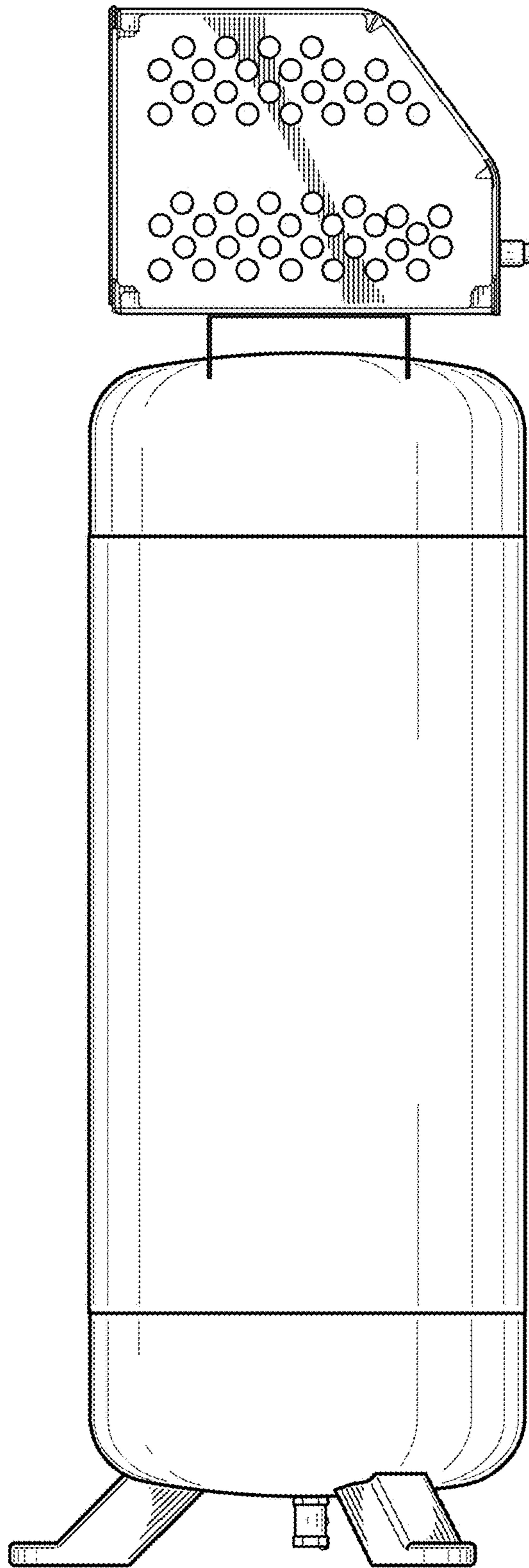


FIG. 2

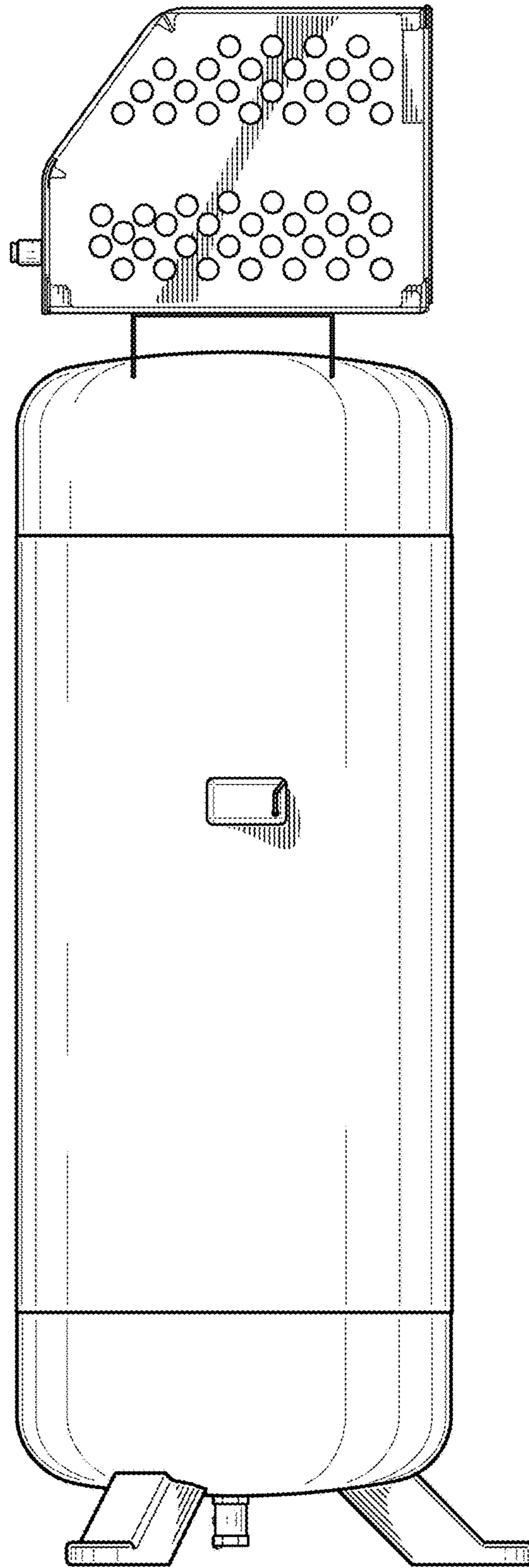


FIG. 3

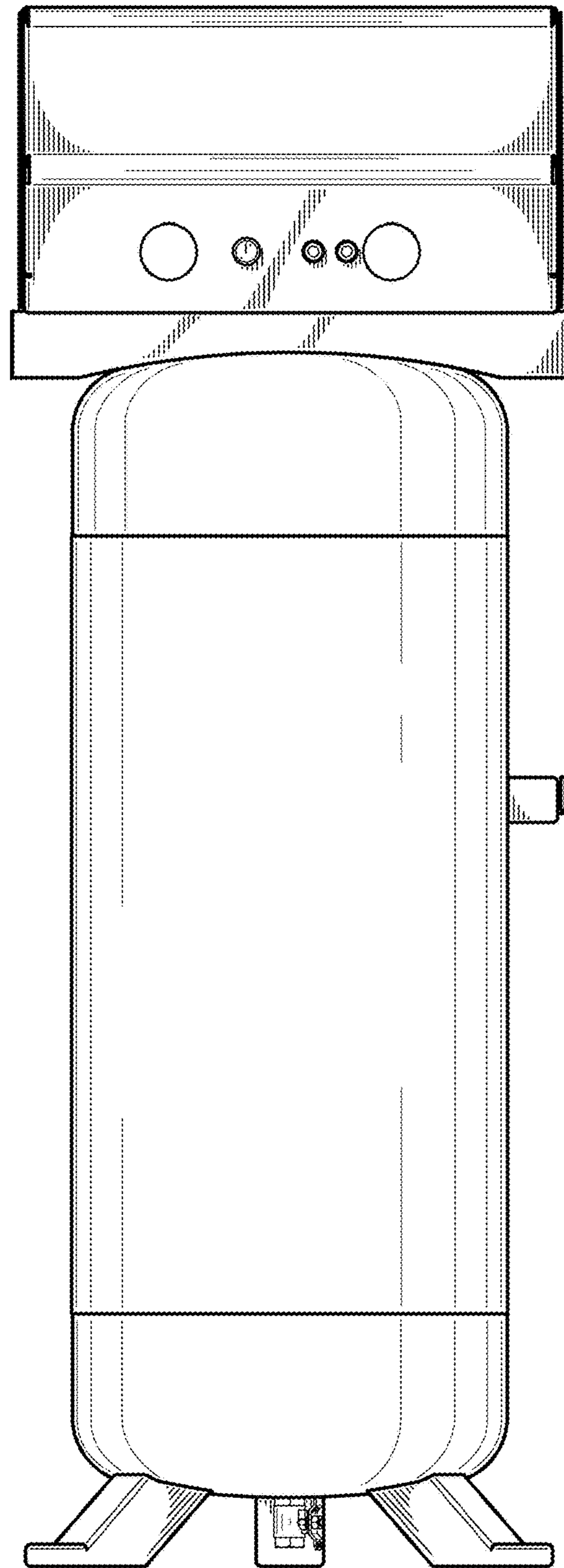


FIG. 4

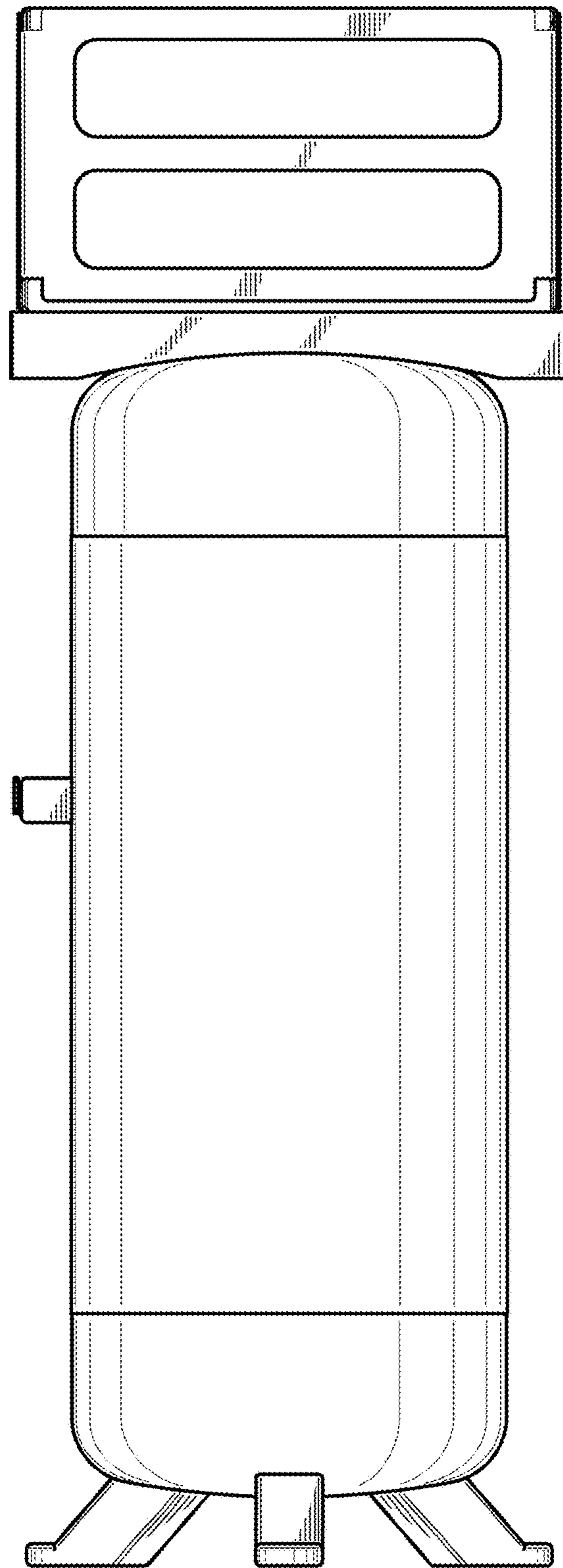


FIG. 5

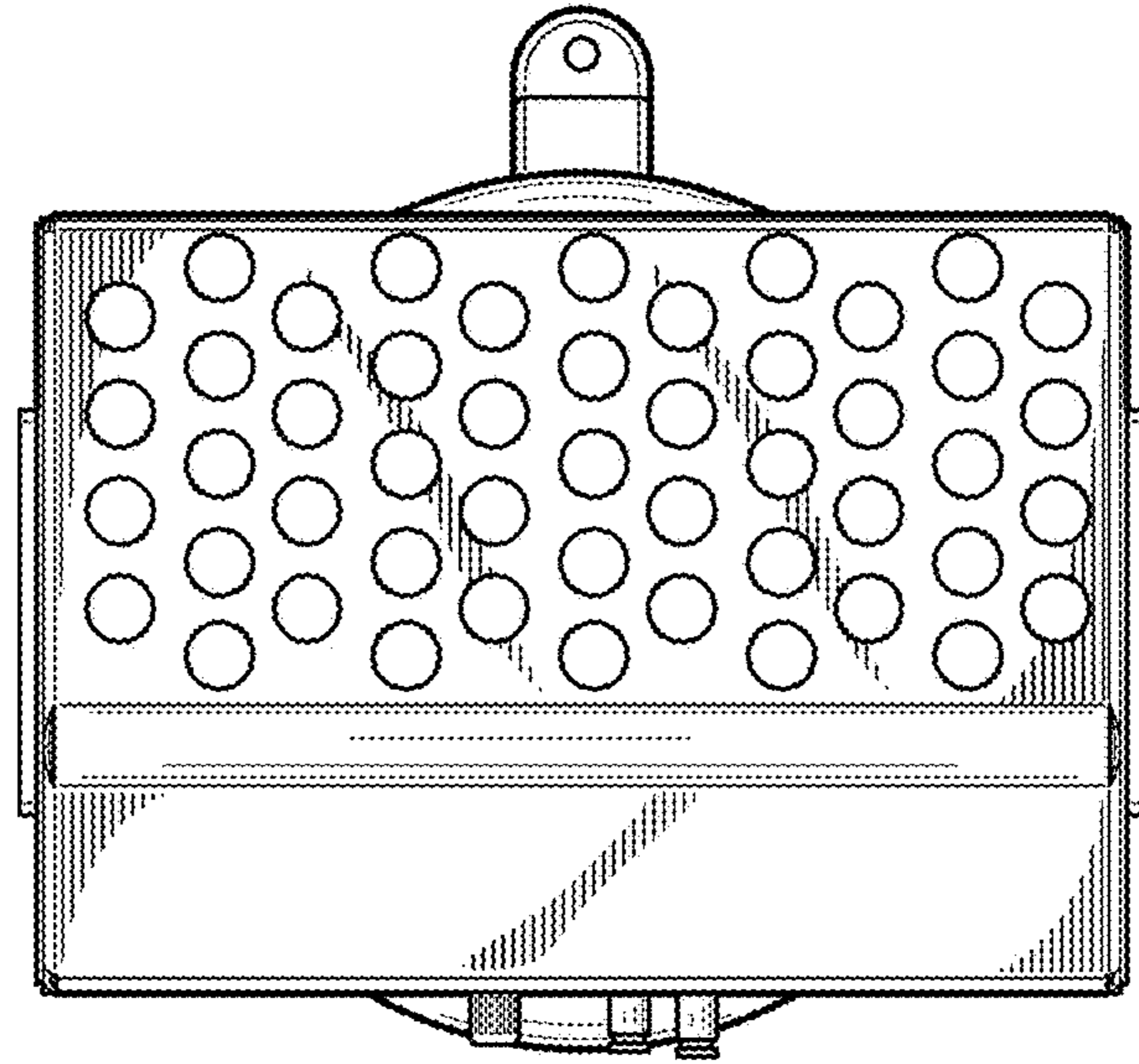


FIG. 6

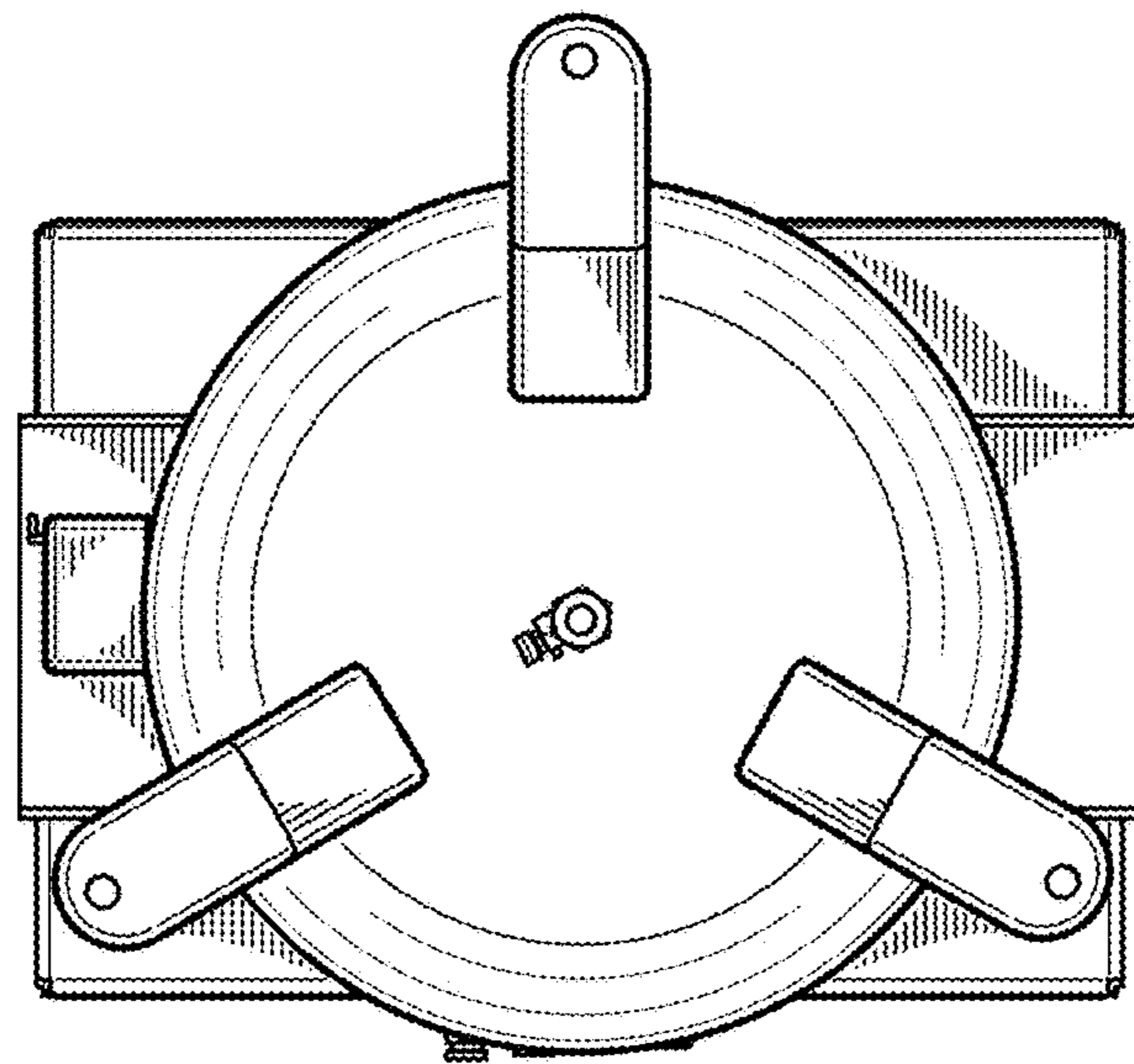


FIG. 7