



US00D838748S

(12) **United States Design Patent**  
**Gan**

(10) **Patent No.:** **US D838,748 S**

(45) **Date of Patent:** **\*\* Jan. 22, 2019**

- (54) **INFLATOR PUMP**
- (71) Applicant: **Shenzhen Valuelink E-Commerce Co., Ltd.**, Shenzhen (CN)
- (72) Inventor: **Qing-Cao Gan**, Shenzhen (CN)
- (73) Assignee: **Shenzhen Valuelink E-Commerce Co., Ltd.**, Shenzhen (CN)

8,925,594 B2 \* 1/2015 Ohm ..... F04B 35/06  
141/38  
D751,120 S \* 3/2016 Spindler ..... D15/9  
D751,121 S \* 3/2016 Spindler ..... D15/9  
D828,404 S \* 9/2018 Gan ..... D15/9

\* cited by examiner

*Primary Examiner* — Ralf Seifert  
(74) *Attorney, Agent, or Firm* — ScienBiziP, P.C.

(\*\*) Term: **15 Years**

(57) **CLAIM**

(21) Appl. No.: **29/641,397**

The ornamental design for an inflator pump, as shown and described.

(22) Filed: **Mar. 22, 2018**

**DESCRIPTION**

(51) **LOC (11) Cl.** ..... **15-02**

(52) **U.S. Cl.**  
USPC ..... **D15/7**

(58) **Field of Classification Search**  
USPC ..... D15/7-9; D23/231, 232, 225; 417/60,  
417/235, 265, 321, 355, 358, 363, 359,  
417/410.1, 411, 415-416, 405, 900, 269,  
417/539; 60/408, 412; 184/26-37;  
415/140-147; 123/495, 509; 137/565.34  
CPC ..... F02M 37/04; F02M 37/14; F04B 53/92;  
F04B 1/005; F04D 13/06; F04D 29/22;  
F04D 29/046; F04D 29/2266  
See application file for complete search history.

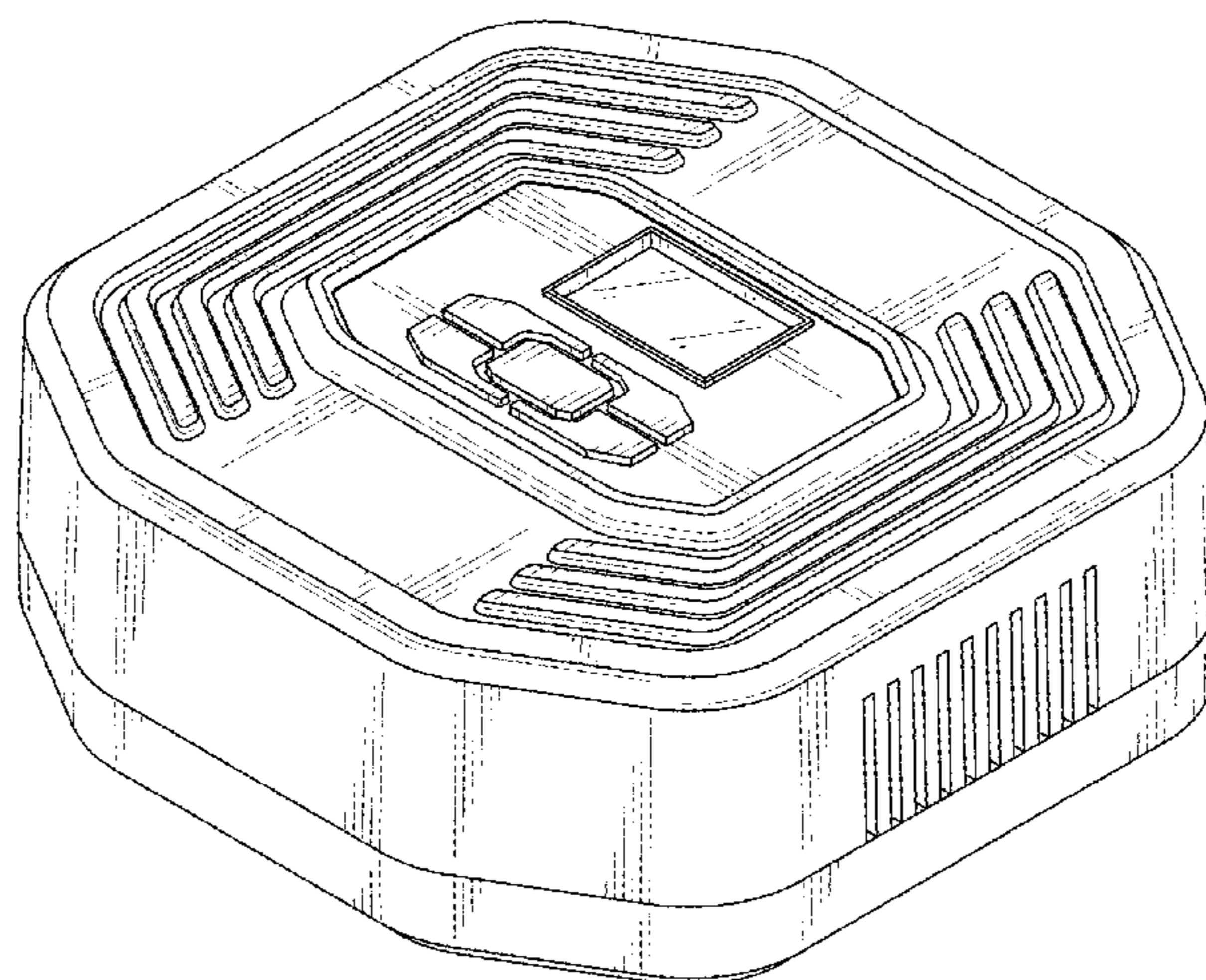
FIG. 1 is a front perspective view of a first embodiment of an inflator pump showing the claimed new design;  
FIG. 2 is a rear perspective view of a first embodiment of the inflator pump showing the claimed new design;  
FIG. 3 is a front elevational view of the inflator pump of FIG. 1;  
FIG. 4 is a rear elevational view of the inflator pump of FIG. 1;  
FIG. 5 is a left side elevational view of the inflator pump of FIG. 1;  
FIG. 6 is a right side elevational view of the inflator pump of FIG. 1;  
FIG. 7 is a top plan view of the inflator pump of FIG. 1; and,  
FIG. 8 is a bottom plan view of the inflator pump of FIG. 1.  
The dot-dash lines represent boundaries of the claimed design. The dot-dash lines depict environmental subject matter that forms no part of the claimed design. The broken lines in the drawings depict portions of the inflator pump that form no part of the claimed design. The broken lines and unshaded regions bounded by broken lines form no part of the claimed design.

(56) **References Cited**

U.S. PATENT DOCUMENTS

- D277,675 S \* 2/1985 Hung ..... D15/9
- D327,482 S \* 6/1992 Wang ..... D15/7
- D541,822 S \* 5/2007 Wang ..... D15/9
- D590,841 S \* 4/2009 Muhlenberend ..... D15/7
- D644,252 S \* 8/2011 Kojima ..... D15/9
- D654,095 S \* 2/2012 Mattson ..... D15/7
- D679,291 S \* 4/2013 Ohm ..... D15/7

**1 Claim, 8 Drawing Sheets**



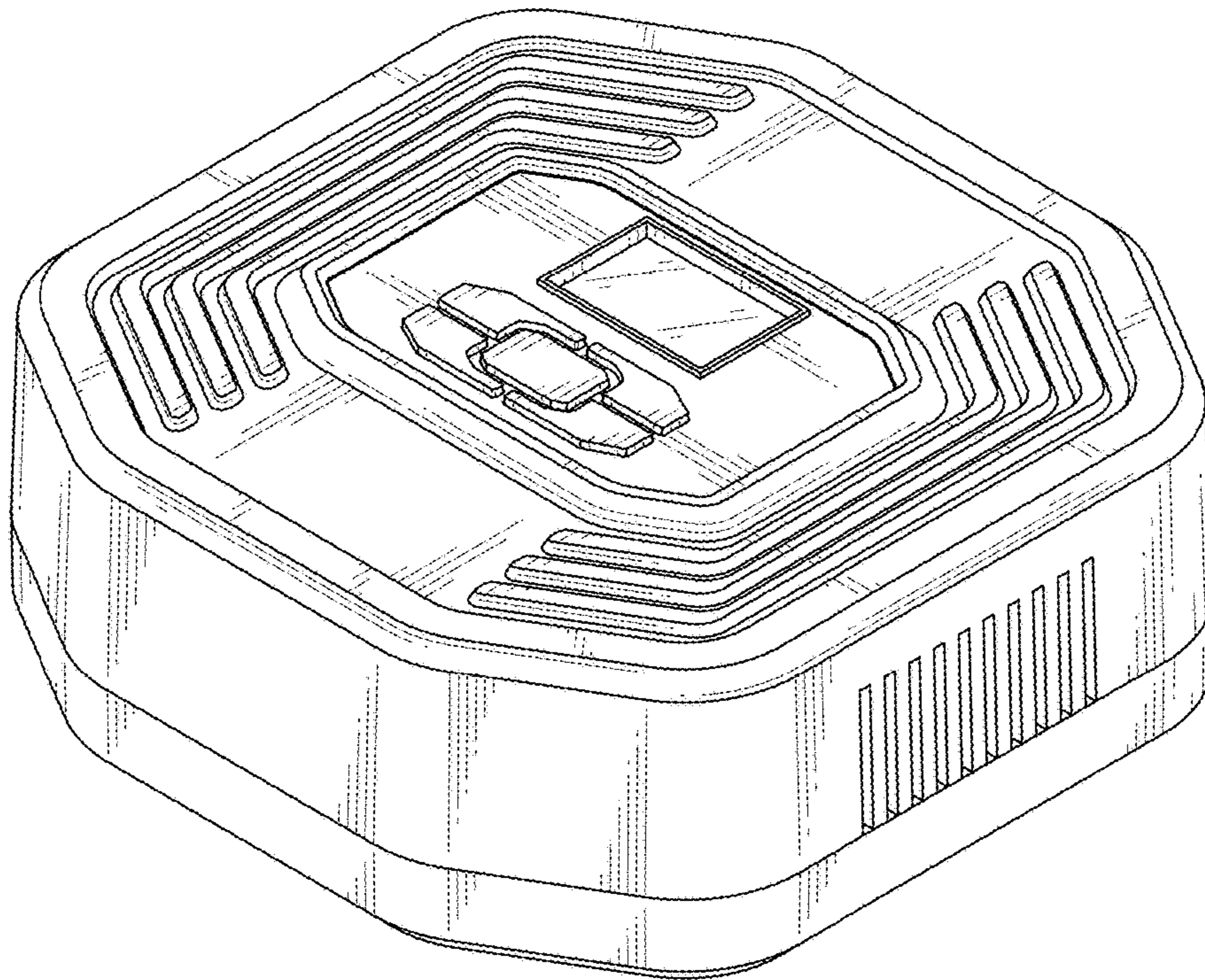


FIG. 1

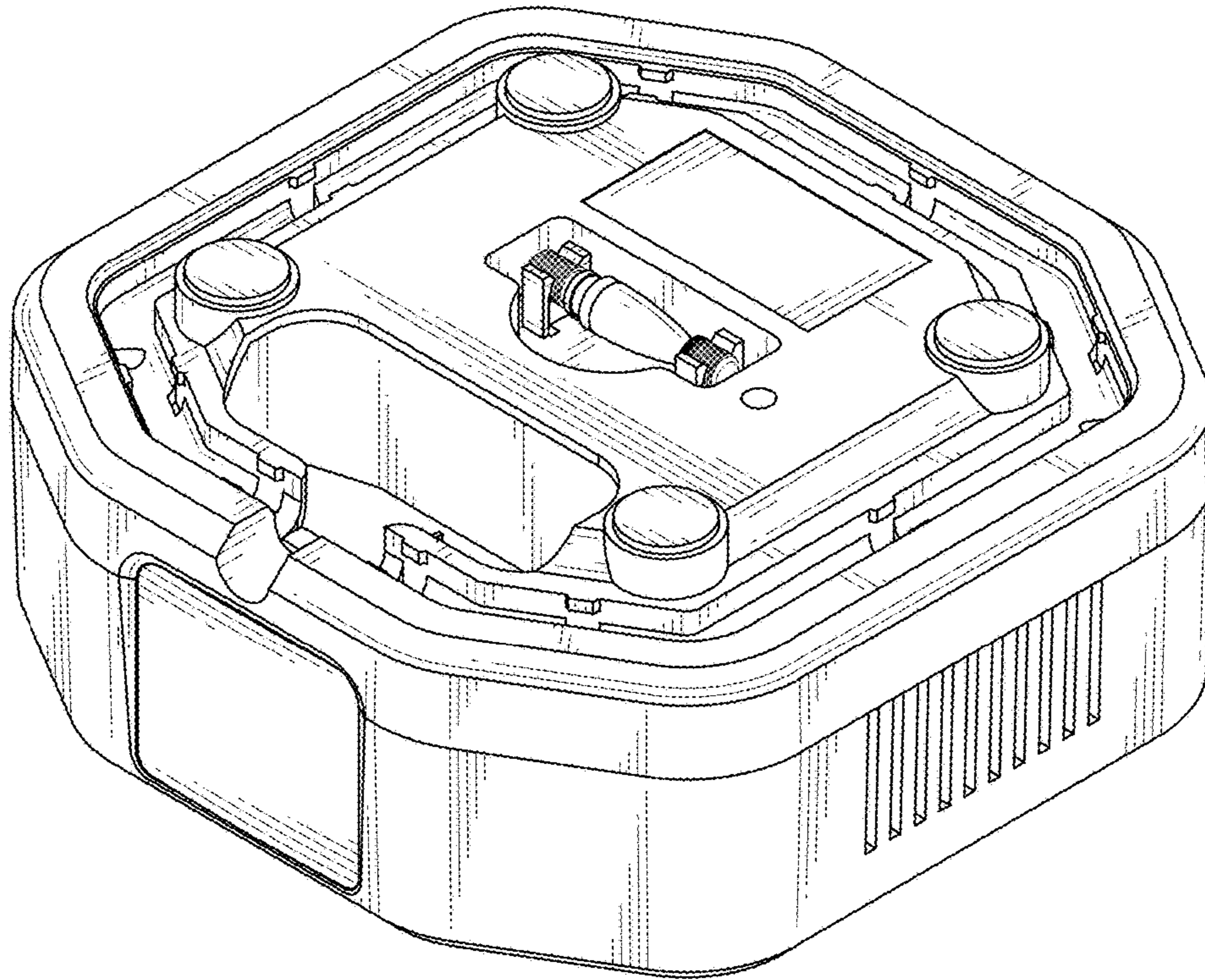


FIG. 2

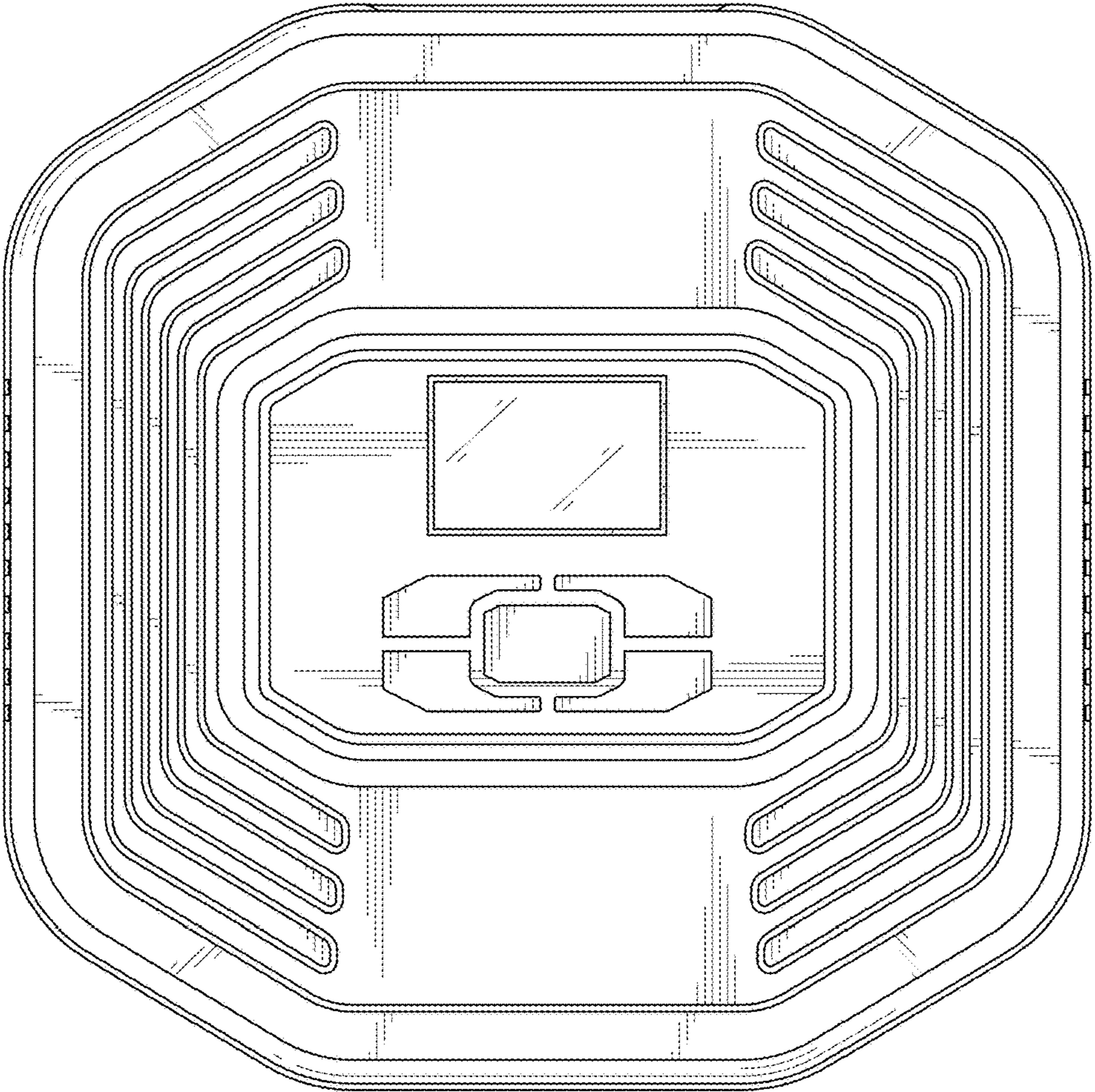


FIG. 3

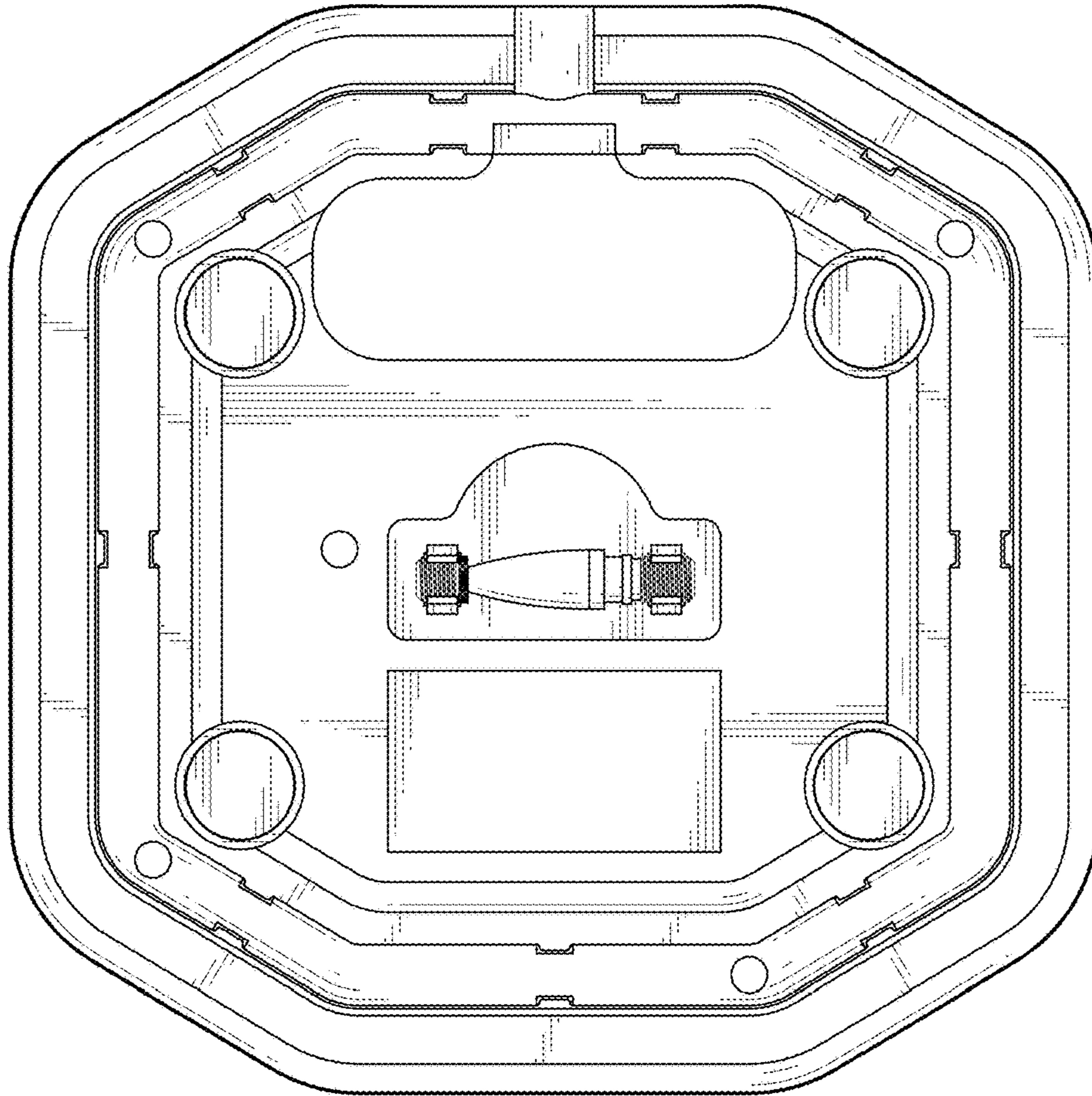


FIG. 4

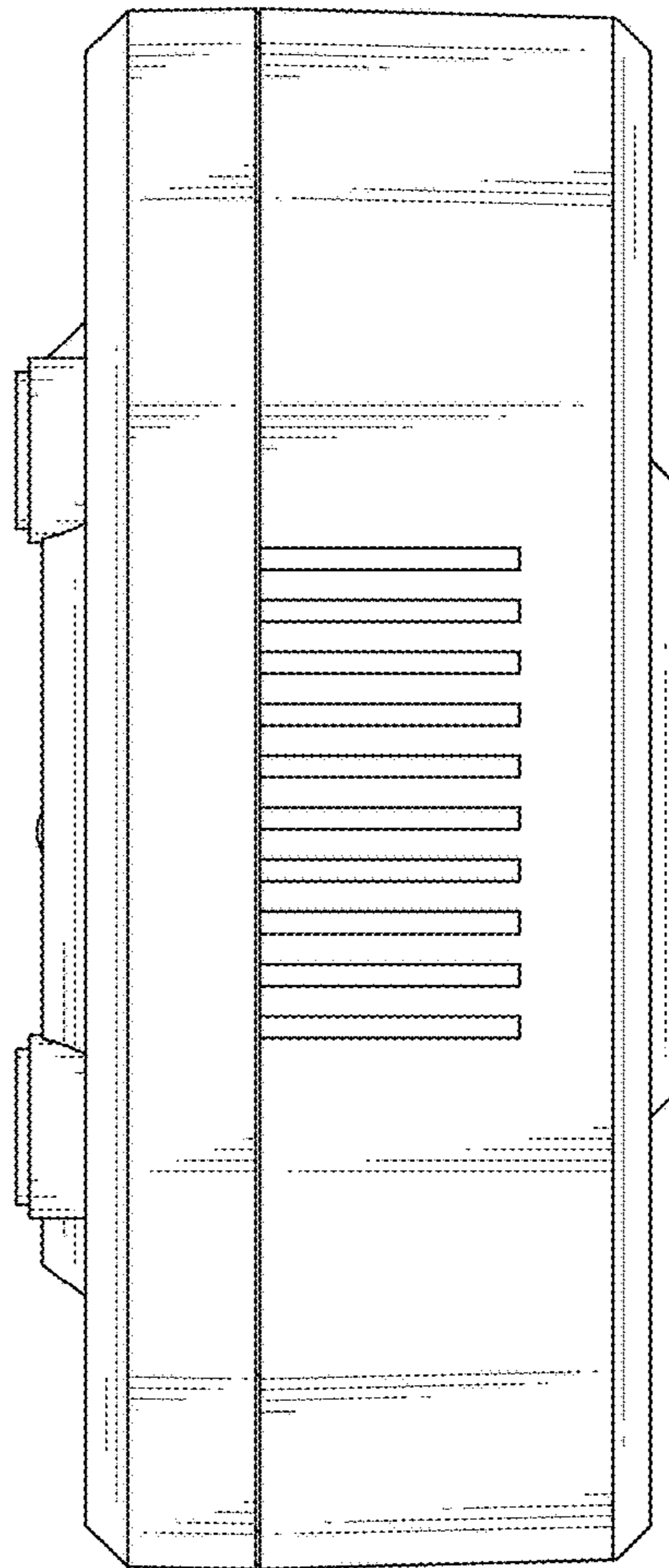


FIG. 5

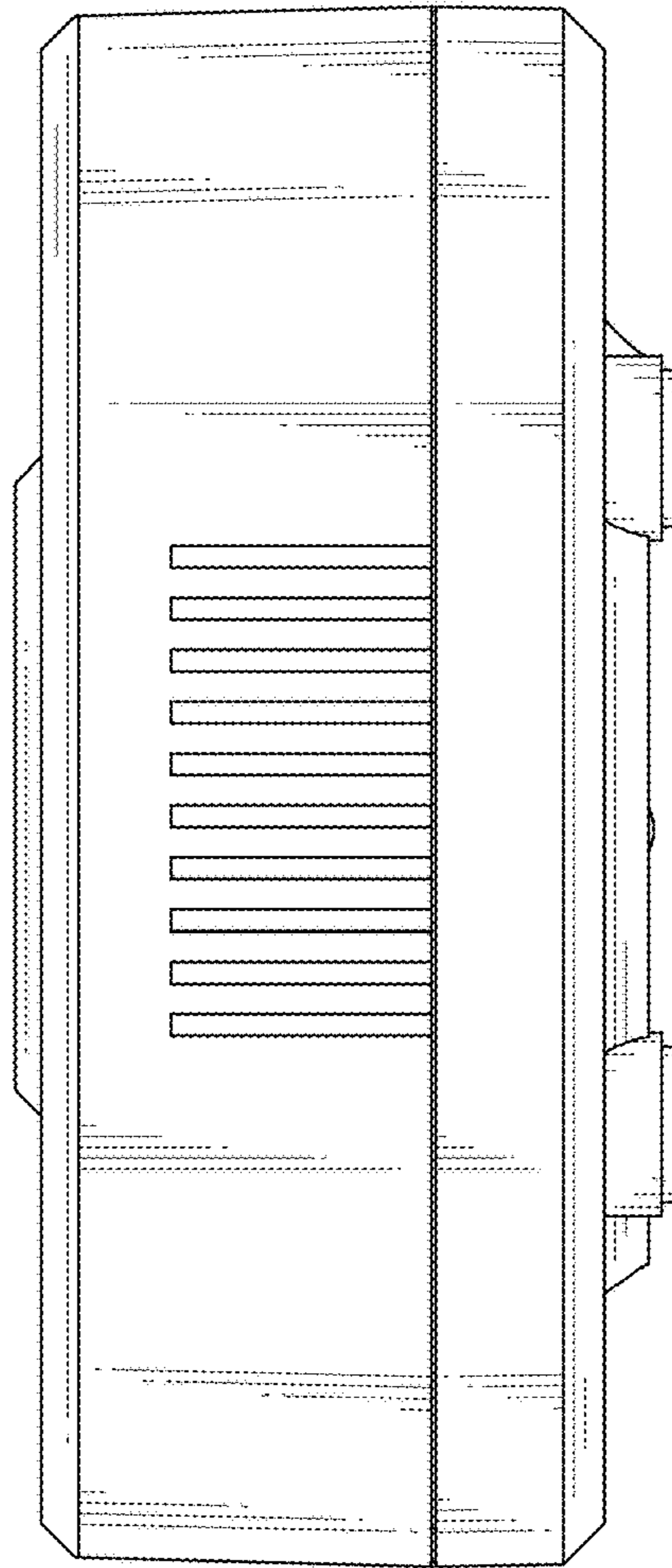


FIG. 6

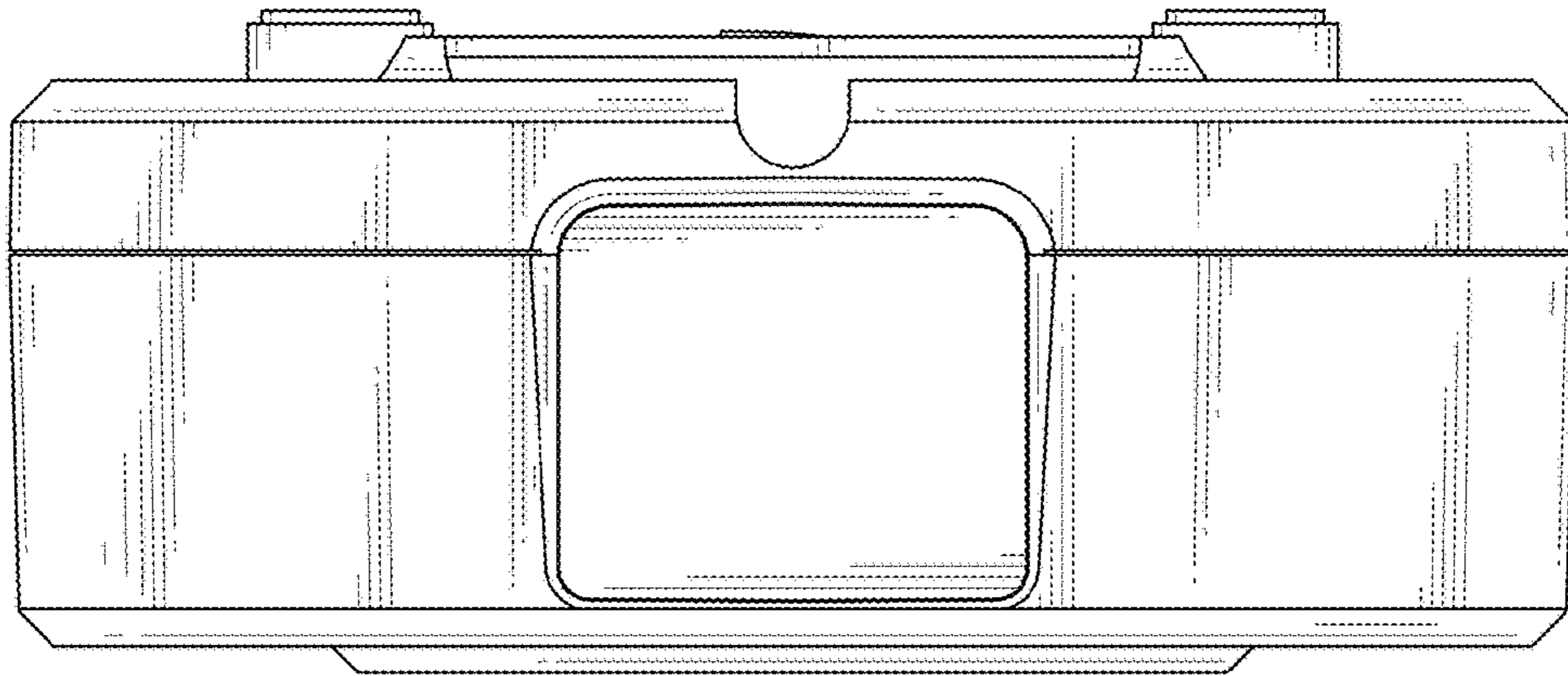


FIG. 7



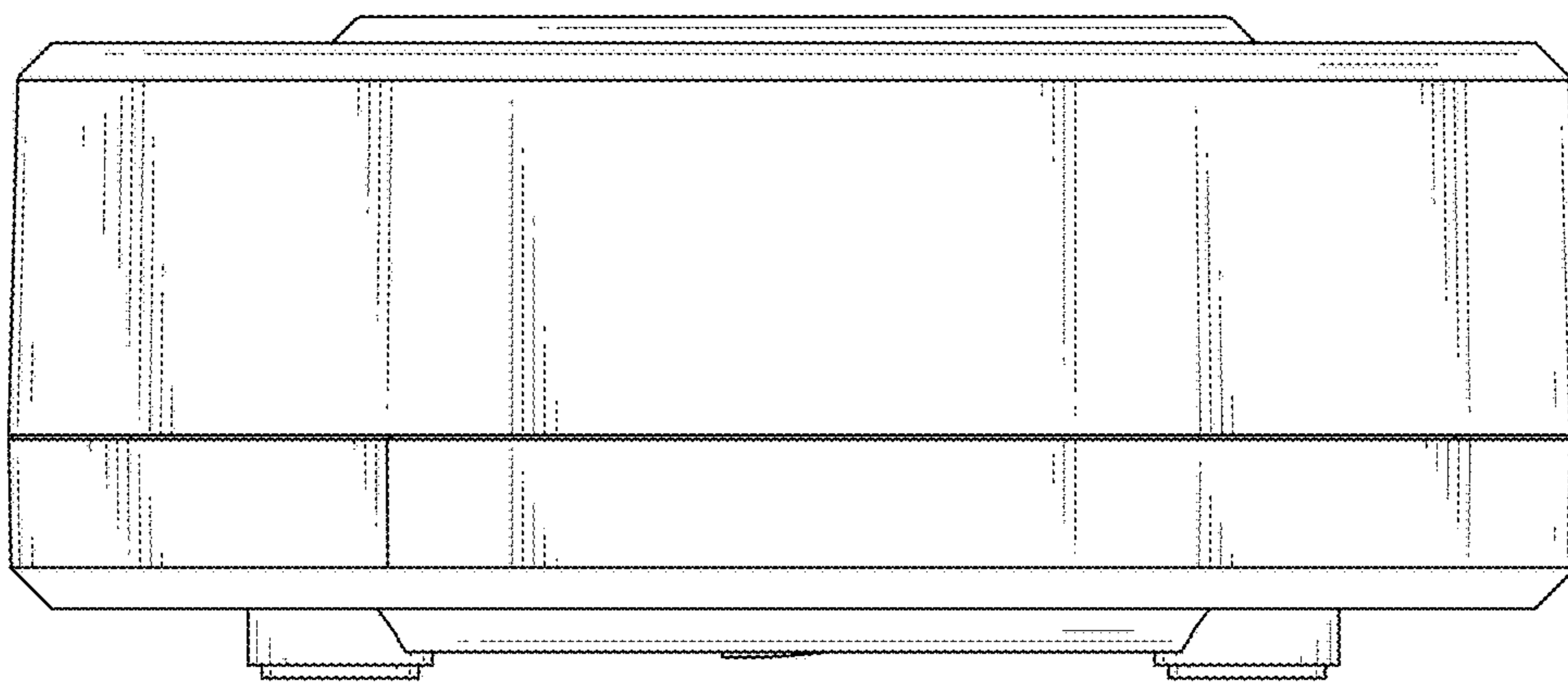


FIG. 8