



US00D838747S

(12) **United States Design Patent**
Gan

(10) **Patent No.:** **US D838,747 S**

(45) **Date of Patent:** **** Jan. 22, 2019**

(54) **INFLATOR PUMP**

(71) Applicant: **Shenzhen Valuelink E-Commerce Co., Ltd.**, Shenzhen (CN)

(72) Inventor: **Qing-Cao Gan**, Shenzhen (CN)

(73) Assignee: **Shenzhen Valuelink E-Commerce Co., Ltd.**, Shenzhen (CN)

(**) Term: **15 Years**

(21) Appl. No.: **29/641,396**

(22) Filed: **Mar. 22, 2018**

(51) **LOC (11) Cl.** **15-02**

(52) **U.S. Cl.**
USPC **D15/7**

(58) **Field of Classification Search**
USPC D15/7-9; D23/231, 232, 225; 417/60, 417/235, 265, 321, 355, 358, 363, 359, 417/410.1, 411, 415-416, 405, 900, 269, 417/539; 60/408, 412; 184/26-37; 415/140-147; 123/495, 509; 137/565.34
CPC F02M 37/04; F02M 37/14; F04B 53/92; F04B 1/005; F04D 13/06; F04D 29/22; F04D 29/046; F04D 29/2266

See application file for complete search history.

(56) **References Cited**

U.S. PATENT DOCUMENTS

D277,675 S *	2/1985	Hung	D15/9
D327,482 S *	6/1992	Wang	D15/7
D375,962 S *	11/1996	Wong	D15/9
D470,665 S *	2/2003	Harris	D6/312
D470,865 S *	2/2003	Wang	D15/9
D541,822 S *	5/2007	Wang	D15/9
D590,841 S *	4/2009	Muhlenberend	D15/7
D644,252 S *	8/2011	Kojima	D15/9

D654,095 S *	2/2012	Mattson	D15/7
D751,120 S *	3/2016	Spindler	D15/9
D751,121 S *	3/2016	Spindler	D15/9
D828,404 S *	9/2018	Gan	D15/9

* cited by examiner

Primary Examiner — Ralf Seifert

(74) *Attorney, Agent, or Firm* — ScienBiziP, P.C.

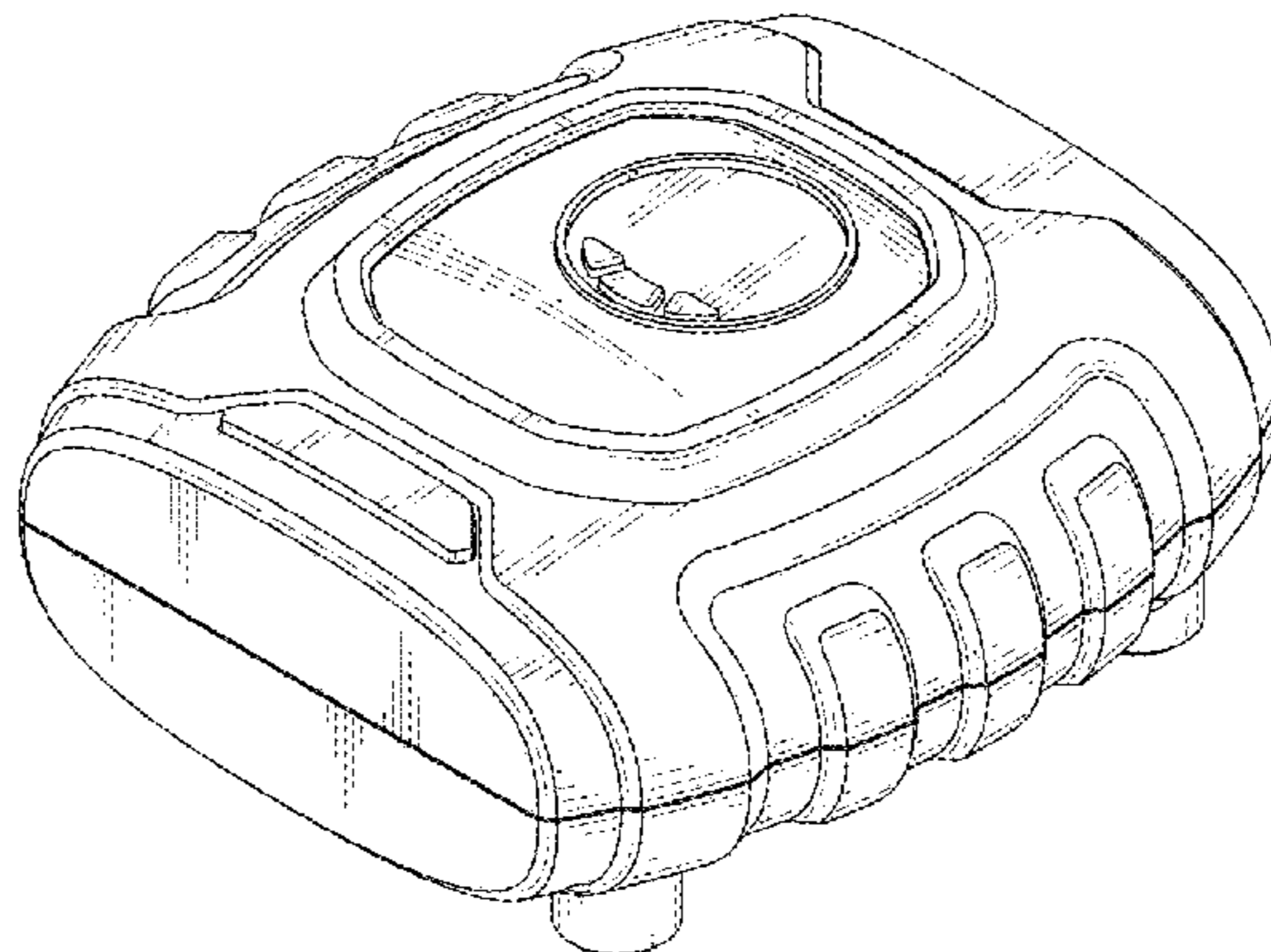
(57) **CLAIM**

The ornamental design for an inflator pump, as shown and described.

DESCRIPTION

FIG. 1 is a front perspective view of a first embodiment of an inflator pump showing the claimed new design; FIG. 2 is a rear perspective view of a first embodiment of the inflator pump showing the claimed new design; FIG. 3 is a front elevational view of the inflator pump of FIG. 1; FIG. 4 is a rear elevational view of the inflator pump of FIG. 1; FIG. 5 is a left side elevational view of the inflator pump of FIG. 1; FIG. 6 is a right side elevational view of the inflator pump of FIG. 1; FIG. 7 is a top plan view of the inflator pump of FIG. 1; and, FIG. 8 is a bottom plan view of the inflator pump of FIG. 1. The dot-dash lines represent boundaries of the claimed design. The dot-dash lines depict environmental subject matter that forms no part of the claimed design. The broken lines in the drawings depict portions of the inflator pump that form no part of the claimed design. The broken lines and unshaded regions bounded by broken lines form no part of the claimed design.

1 Claim, 8 Drawing Sheets



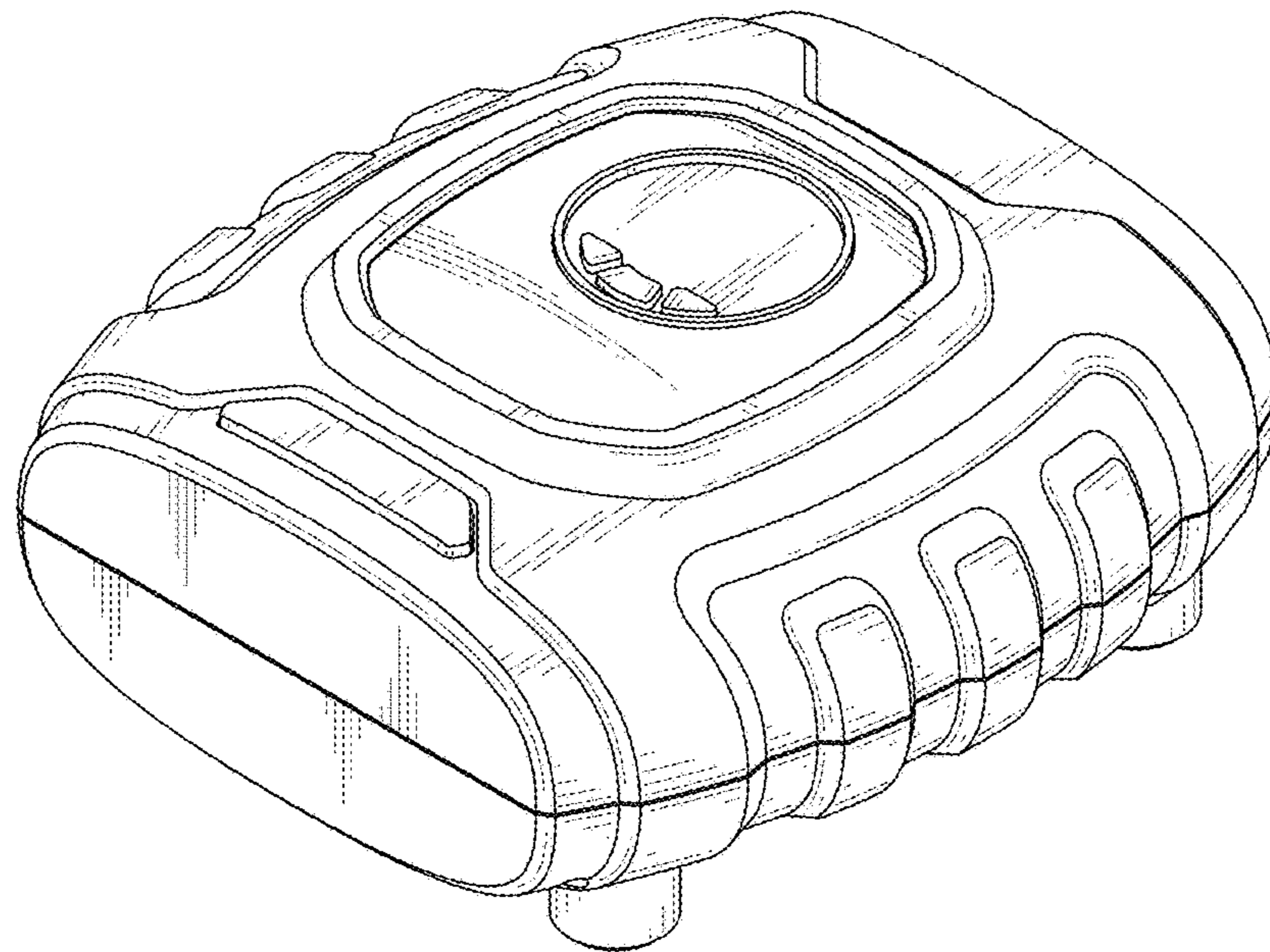


FIG. 1

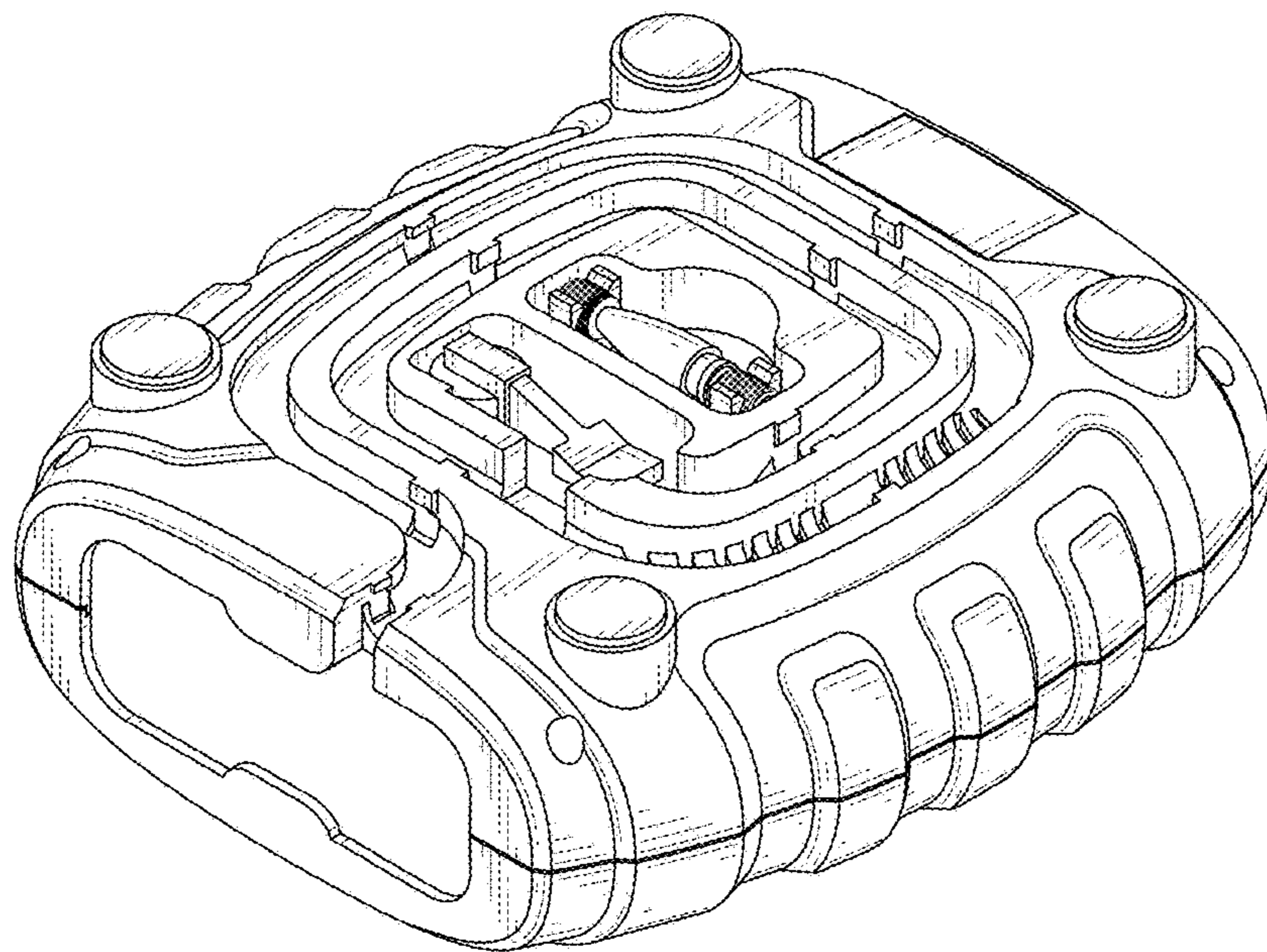


FIG. 2

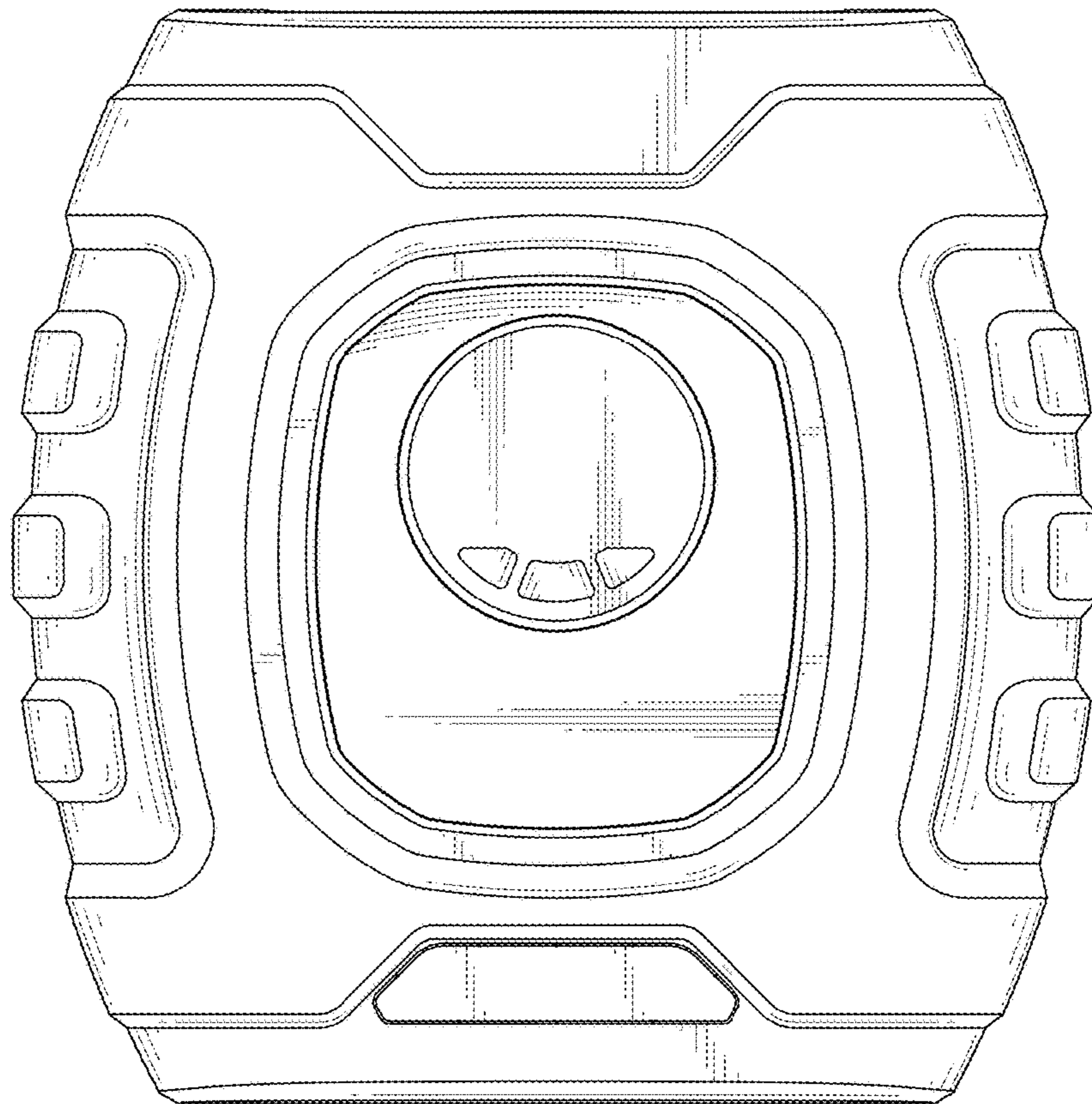


FIG. 3

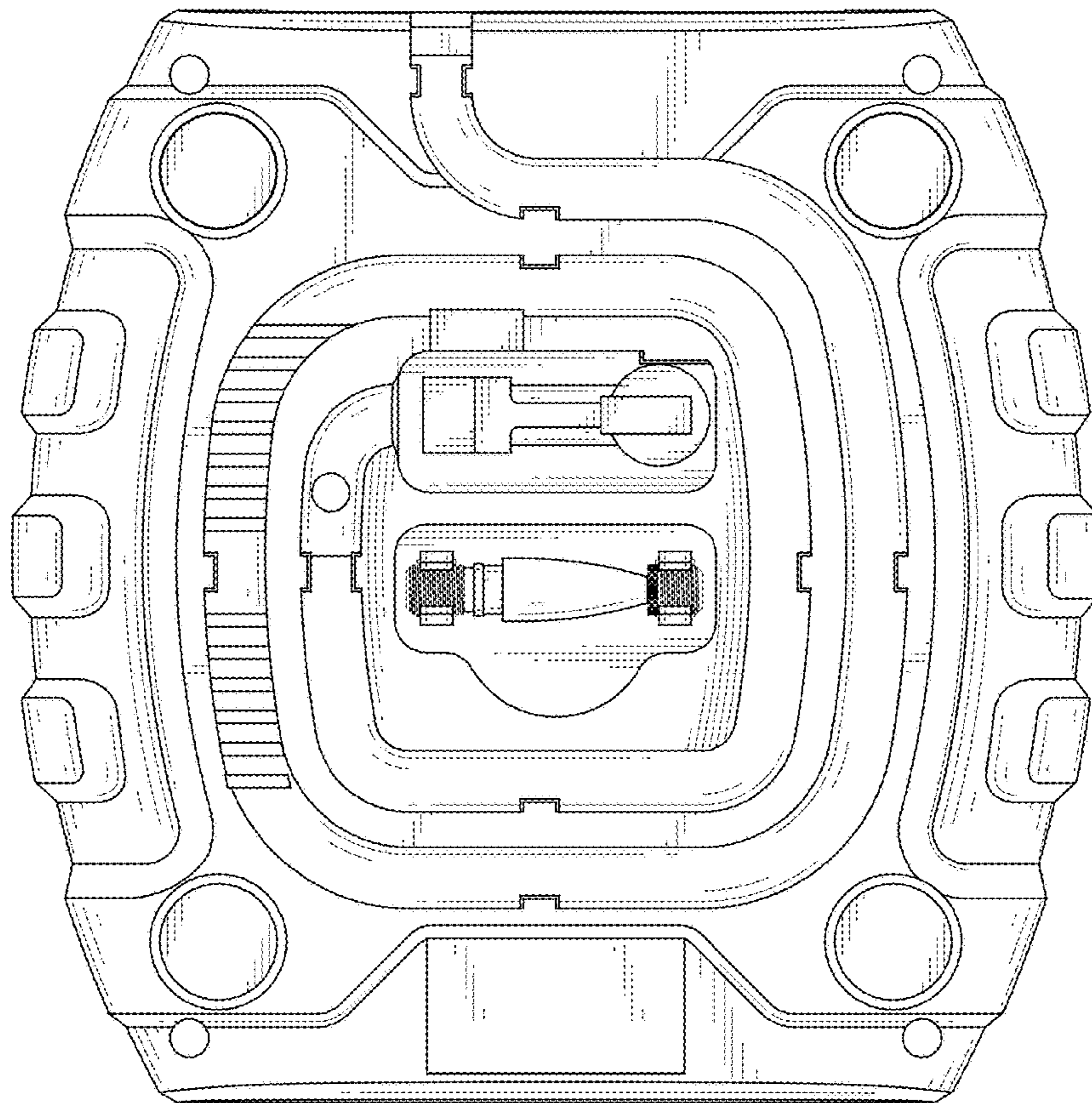


FIG. 4

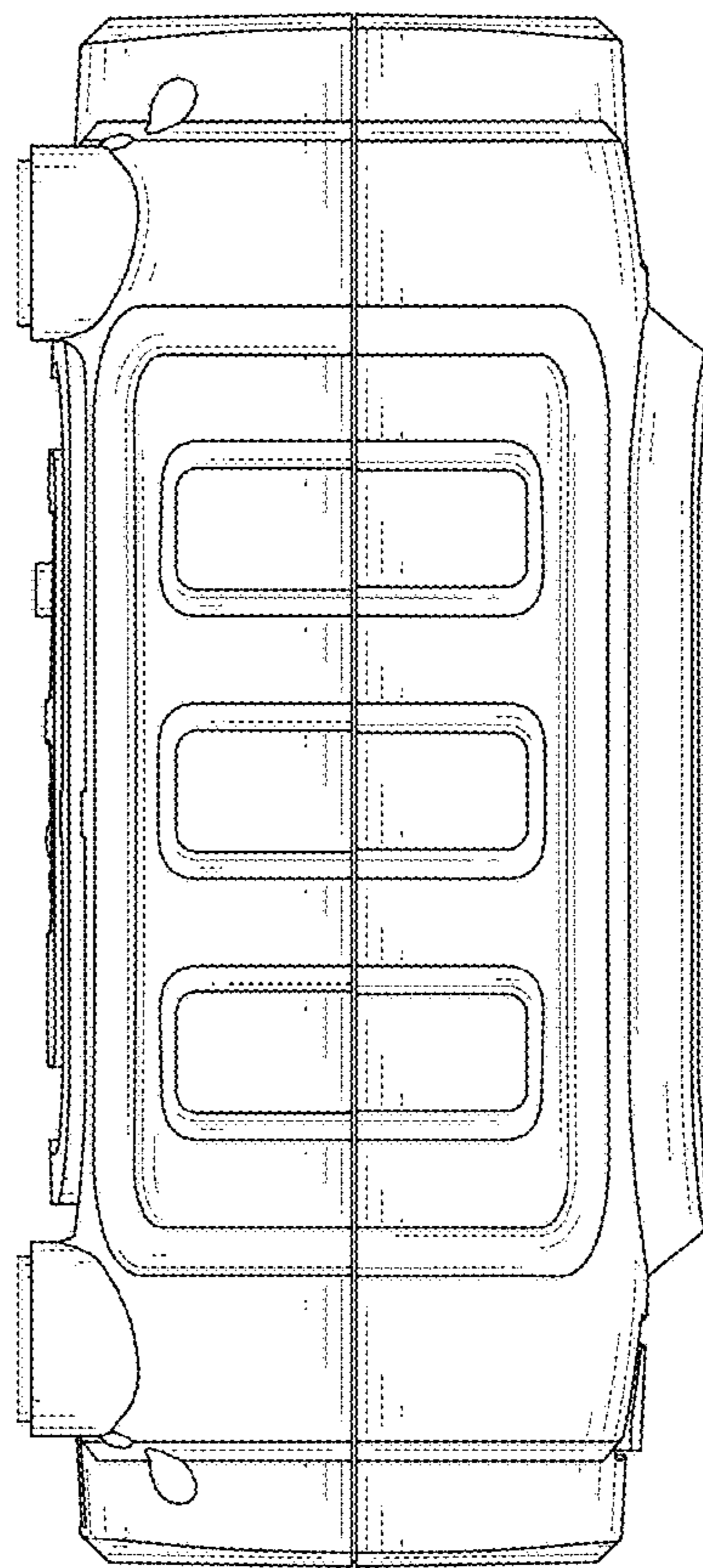


FIG. 5

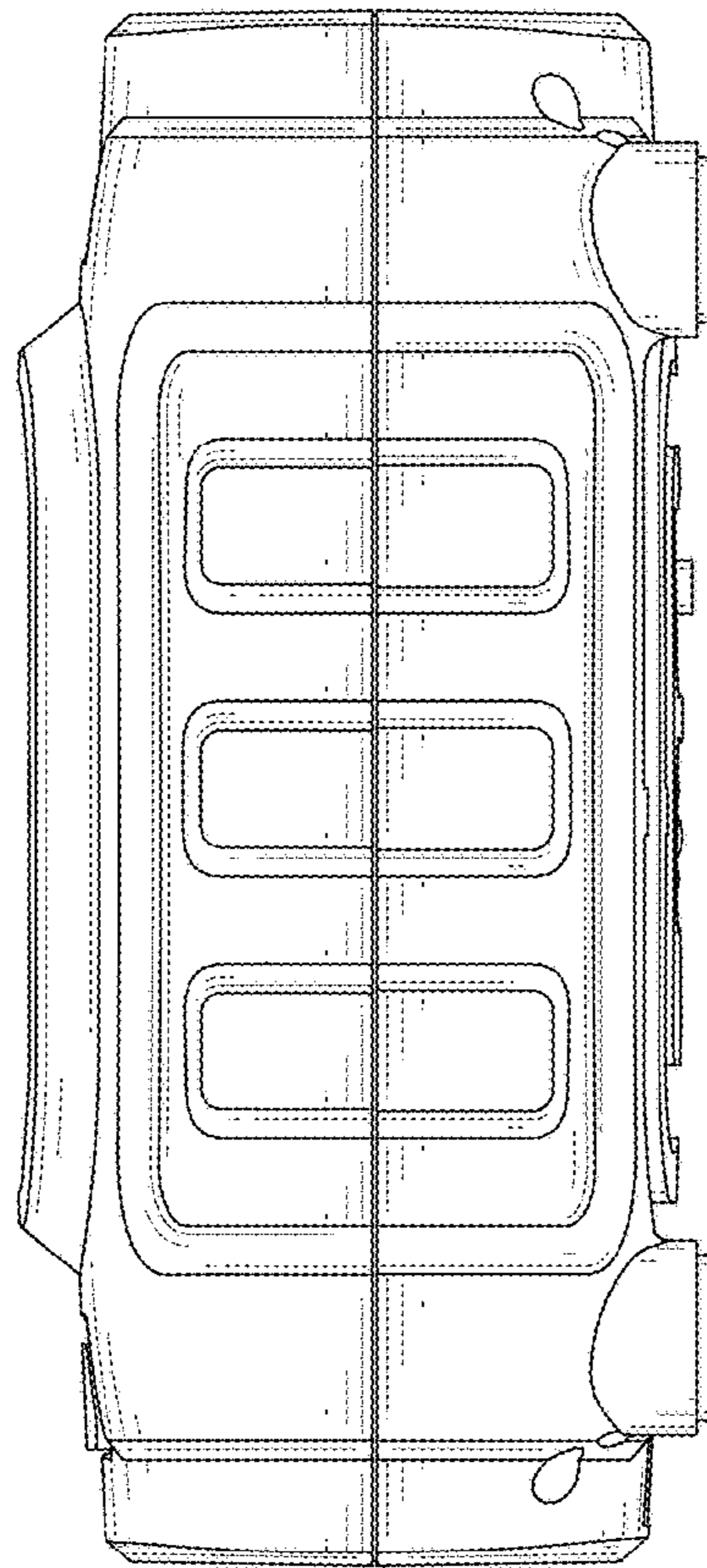


FIG. 6

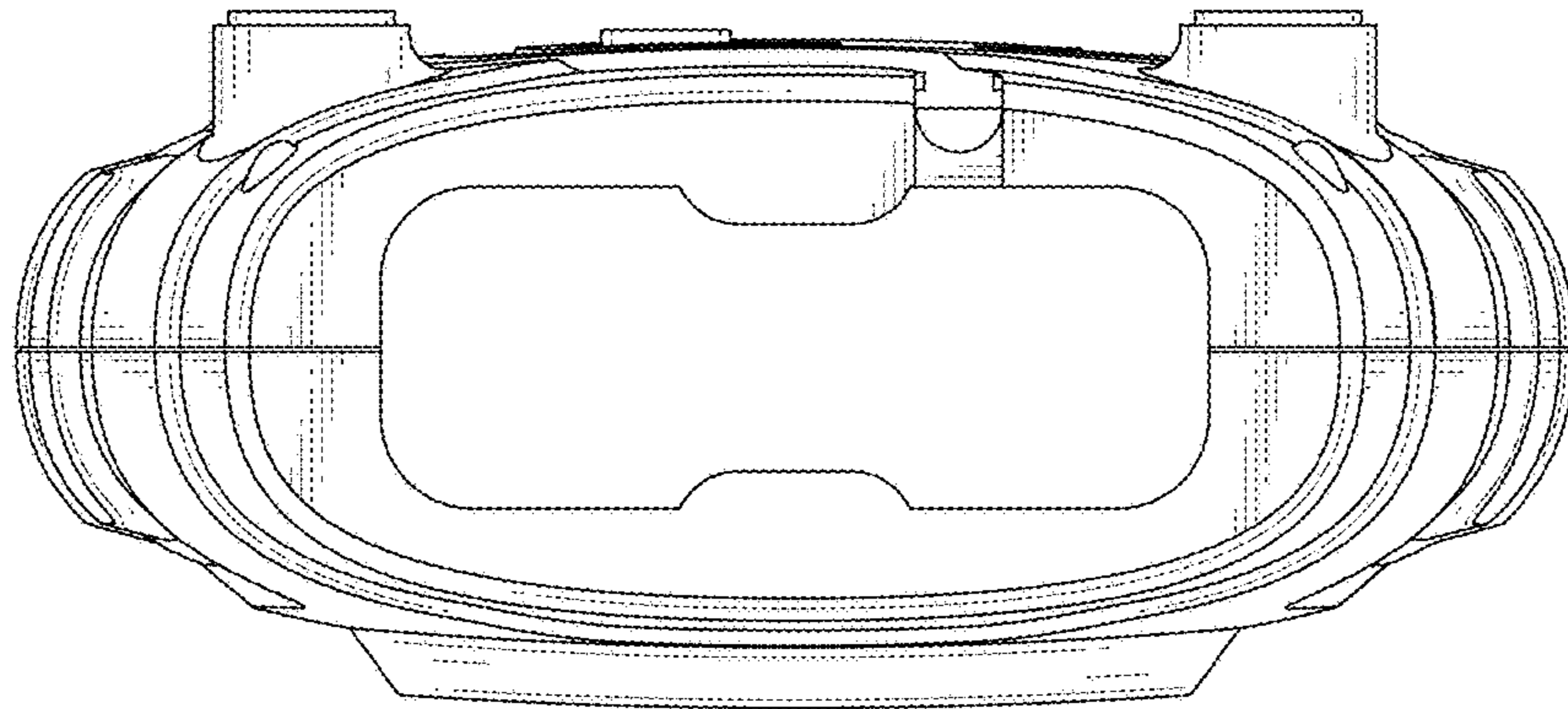


FIG. 7

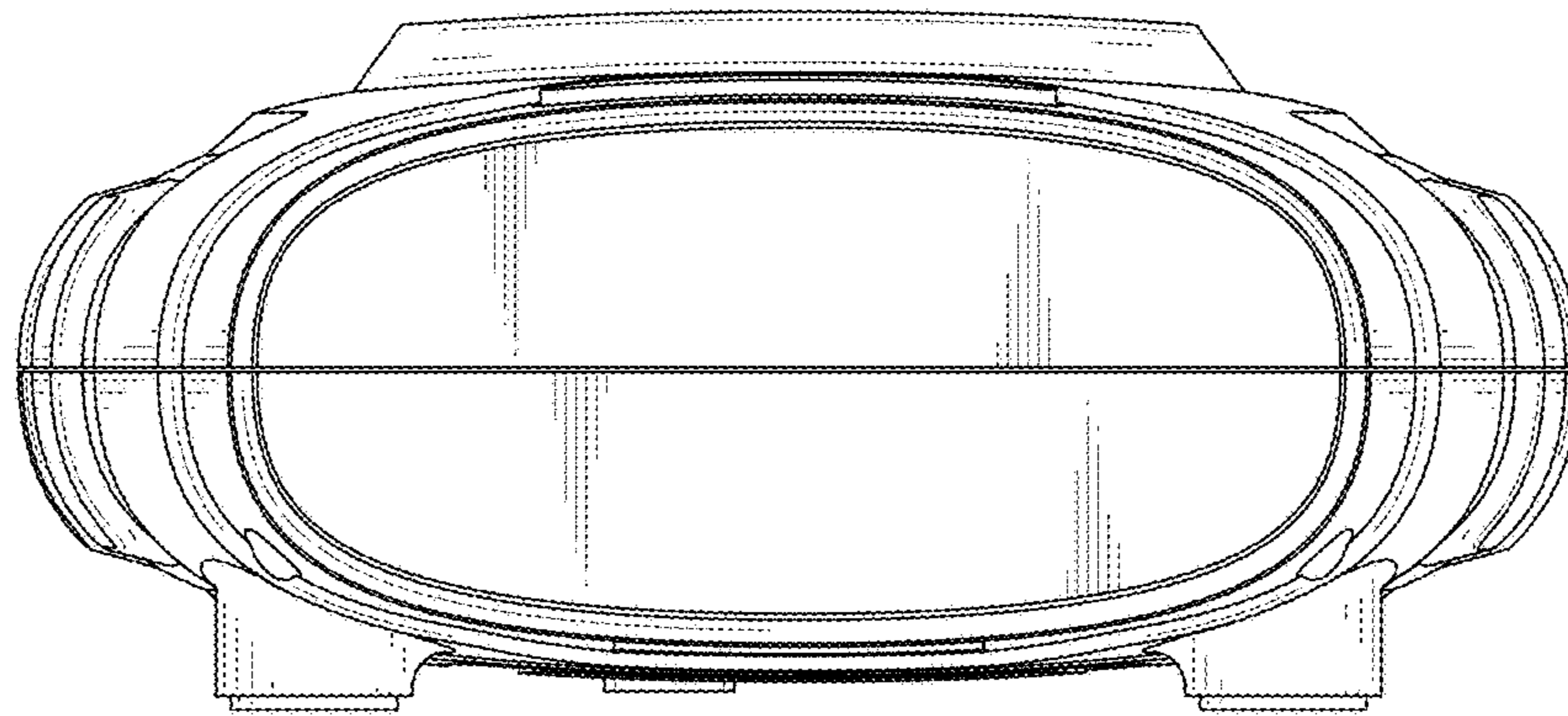


FIG. 8