



US00D838746S

(12) **United States Design Patent**
Gan

(10) **Patent No.:** **US D838,746 S**

(45) **Date of Patent:** **** Jan. 22, 2019**

(54) **TIRE INFLATOR**

(71) Applicant: **Shenzhen Valuelink E-Commerce Co., Ltd.**, Shenzhen (CN)

(72) Inventor: **Qing-Cao Gan**, Shenzhen (CN)

(73) Assignee: **Shenzhen Valuelink E-Commerce Co., Ltd.**, Shenzhen (CN)

(**) Term: **15 Years**

(21) Appl. No.: **29/635,578**

(22) Filed: **Jan. 31, 2018**

(51) **LOC (11) Cl.** **15-02**

(52) **U.S. Cl.**
USPC **D15/7**

(58) **Field of Classification Search**
USPC D15/7-9; D23/231, 232, 225; 417/60, 417/235, 265, 321, 355, 358, 363, 359, 417/410.1, 411, 415-416, 405, 900, 269, 417/539; 60/408, 412; 184/26-37; 415/140-147; 123/495, 509; 137/565.34
CPC F02M 37/04; F02M 37/14; F04B 53/92; F04B 1/005; F04D 13/06; F04D 29/22; F04D 29/046; F04D 29/2266
See application file for complete search history.

(56) **References Cited**

U.S. PATENT DOCUMENTS

D352,295 S	*	11/1994	Morgan	D15/9
D375,505 S	*	11/1996	Wong	D15/9
D376,199 S	*	12/1996	Rozek	D15/9
D385,566 S	*	10/1997	Wang	D15/9
D407,412 S	*	3/1999	Wang	D15/9
D409,206 S	*	5/1999	Wang	D15/9
D529,926 S	*	10/2006	Krieger	D15/9
D635,588 S	*	4/2011	Sprules	D15/7
D707,719 S	*	6/2014	Kamijyo	D15/7

D734,367 S	*	7/2015	Jhou	D15/9
D744,004 S	*	11/2015	Sacchetti	D15/7
D806,133 S	*	12/2017	Costle	D15/9
D814,525 S	*	4/2018	Yang	D15/9

* cited by examiner

Primary Examiner — Ralf Seifert

(74) *Attorney, Agent, or Firm* — ScienBiziP, P.C.

(57) **CLAIM**

The ornamental design for a tire inflator, as shown and described.

DESCRIPTION

This design patent application is related to United States Design Patent application Ser. No. 29/635,578, filed concurrently with this design patent application.

FIG. 1 is a front perspective view of a first embodiment of a tire inflator showing the claimed new design;

FIG. 2 is a rear perspective view of a first embodiment of the tire inflator showing the claimed new design;

FIG. 3 is a front elevational view of the tire inflator of FIG. 1;

FIG. 4 is a rear elevational view of the tire inflator of FIG. 1;

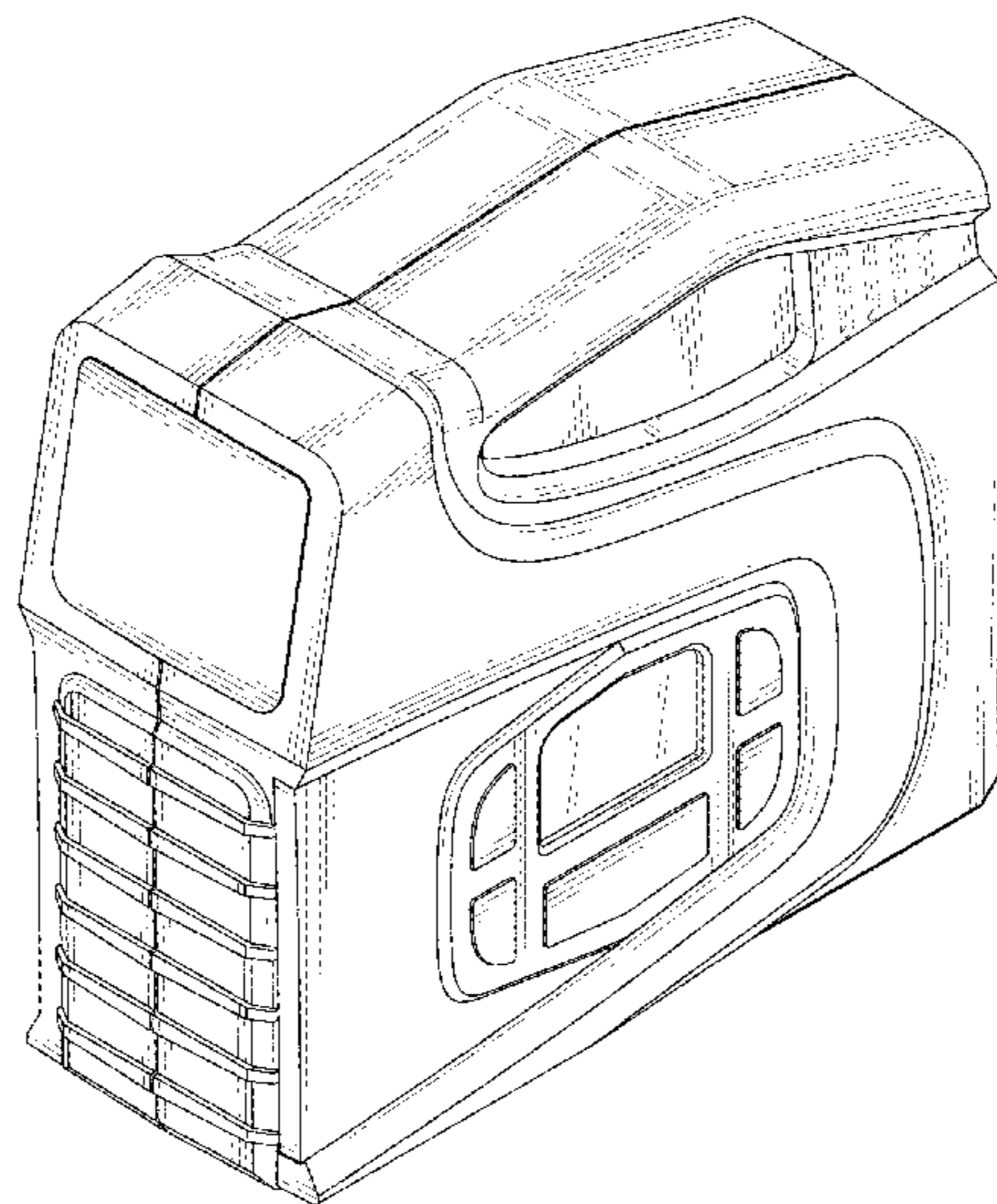
FIG. 5 is a left side elevational view of the tire inflator of FIG. 1;

FIG. 6 is a right side elevational view of the tire inflator of FIG. 1;

FIG. 7 is a top plan view of the tire inflator of FIG. 1; and, FIG. 8 is a bottom plan view of the tire inflator of FIG. 1.

The dot-dash lines represent boundaries of the claimed design. The dot-dash lines depict environmental subject matter that forms no part of the claimed design. The broken lines in the drawings depict portions of the tire inflator that form no part of the claimed design. The broken lines and unshaded regions bounded by broken lines form no part of the claimed design.

1 Claim, 8 Drawing Sheets



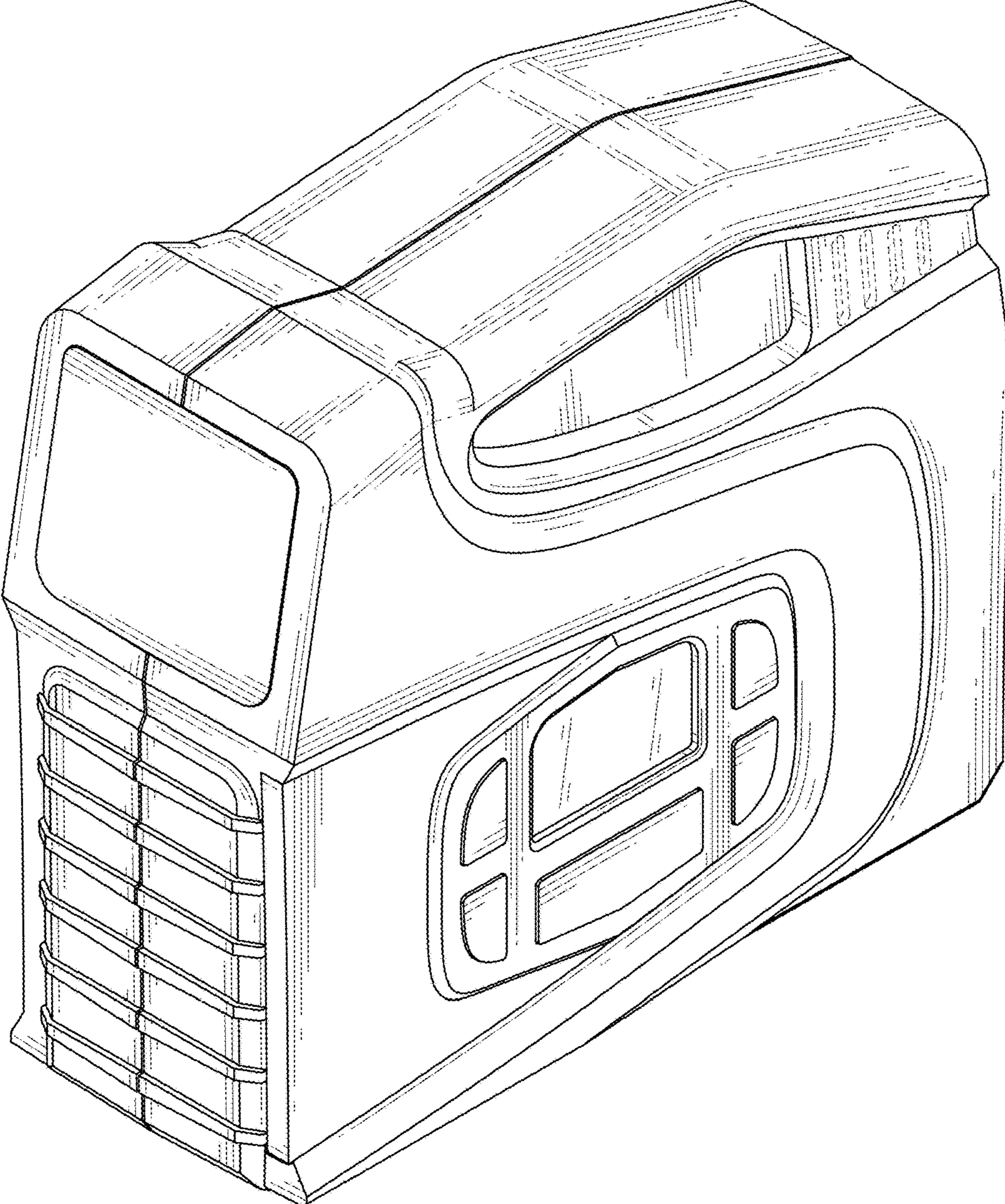


FIG. 1

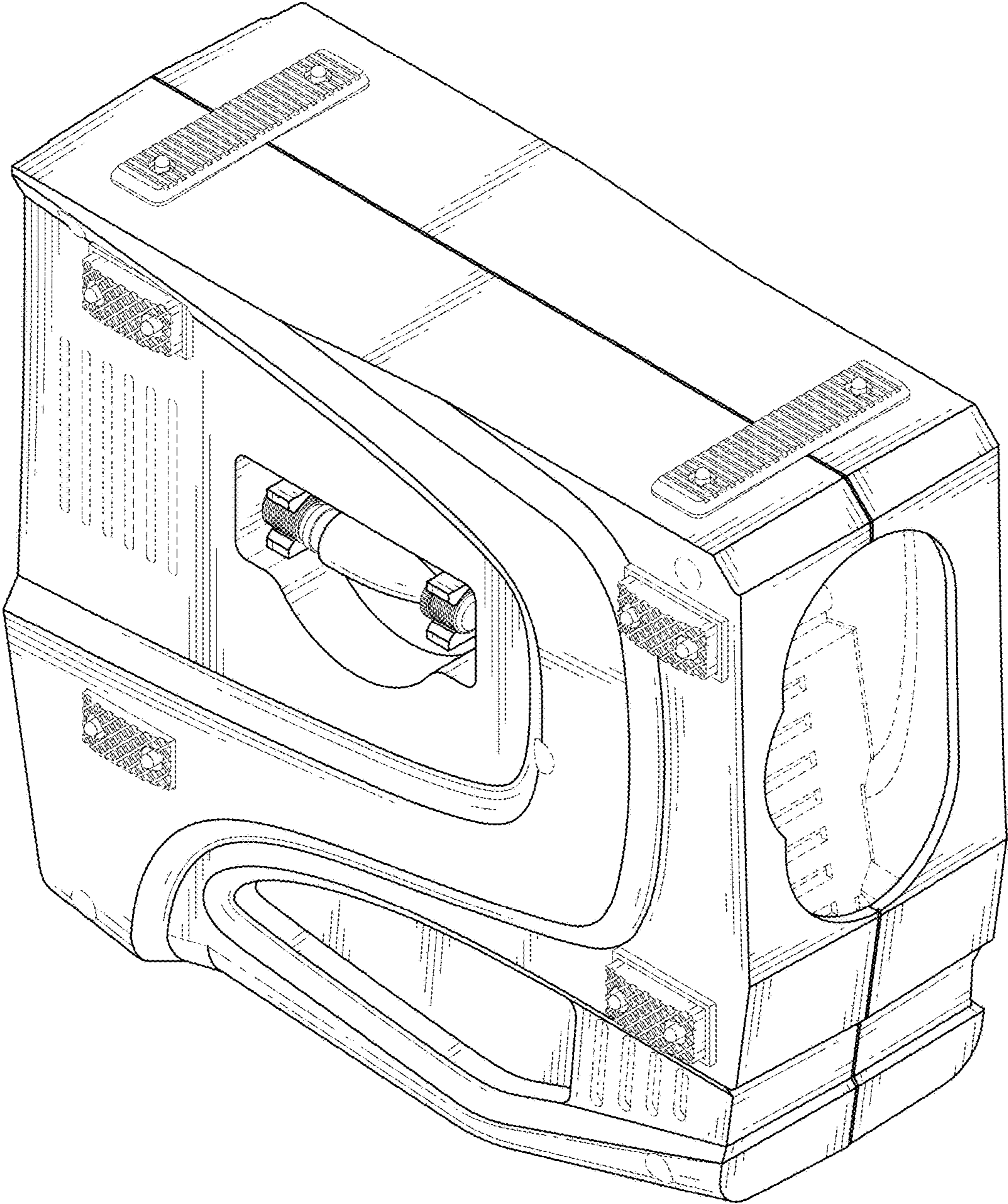


FIG. 2

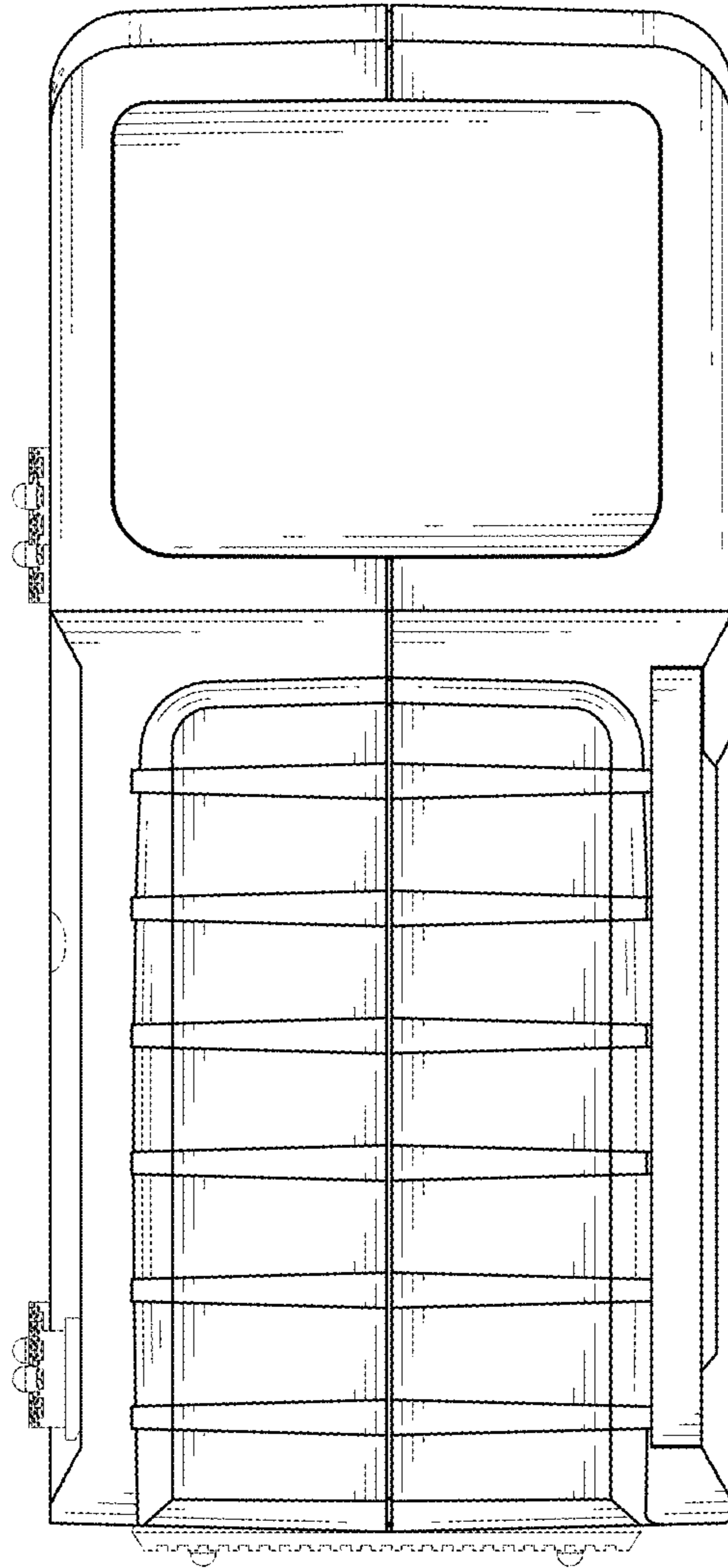


FIG. 3

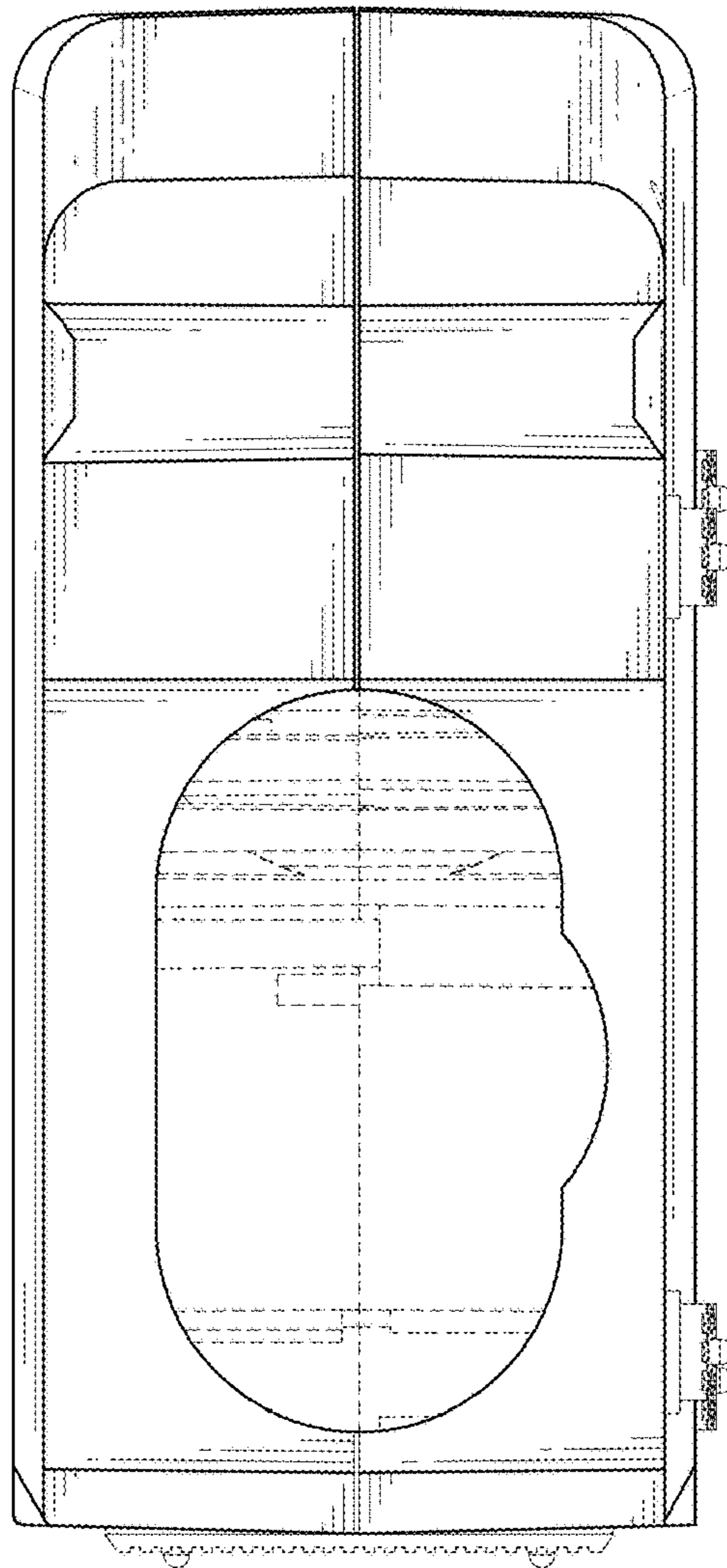


FIG. 4

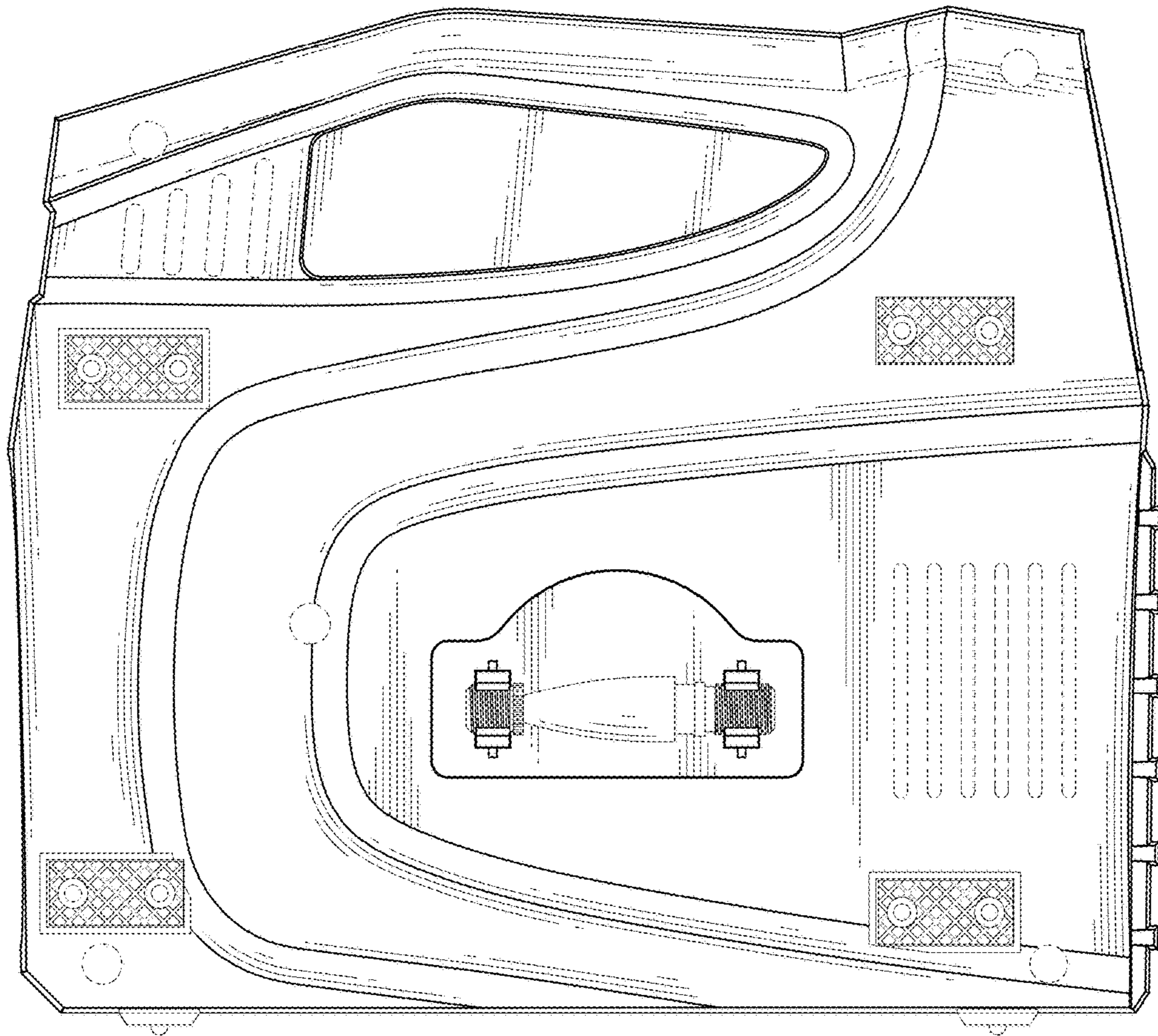


FIG. 5

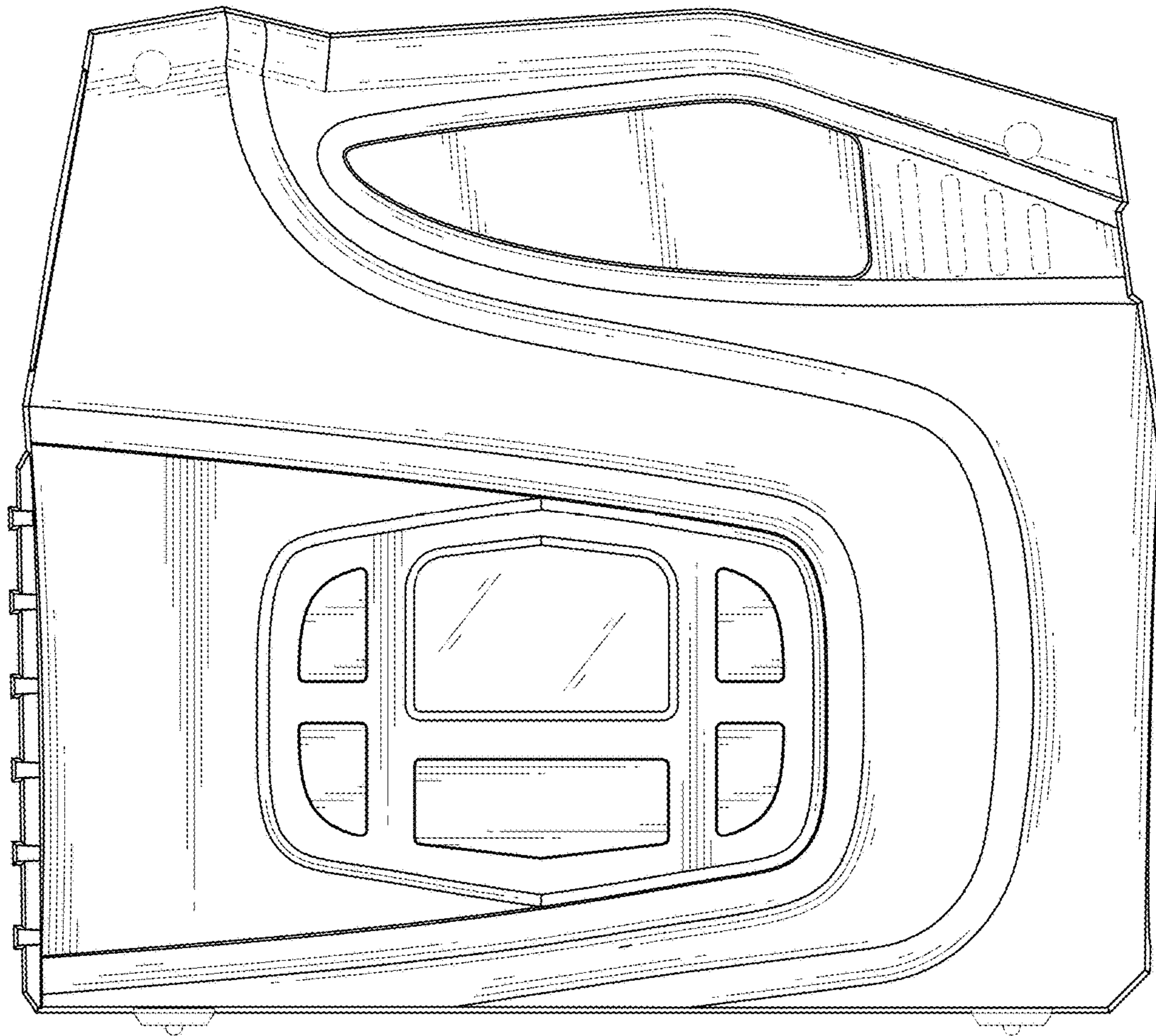


FIG. 6

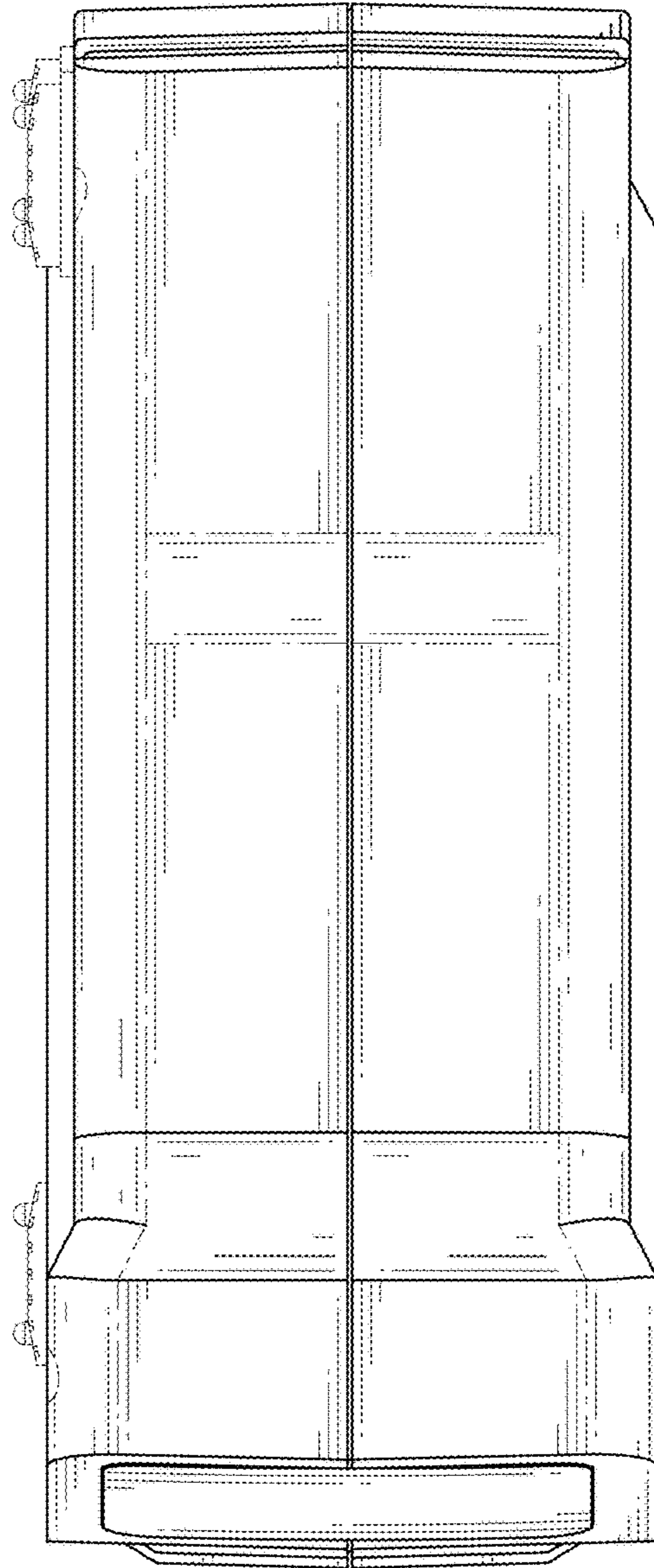


FIG. 7

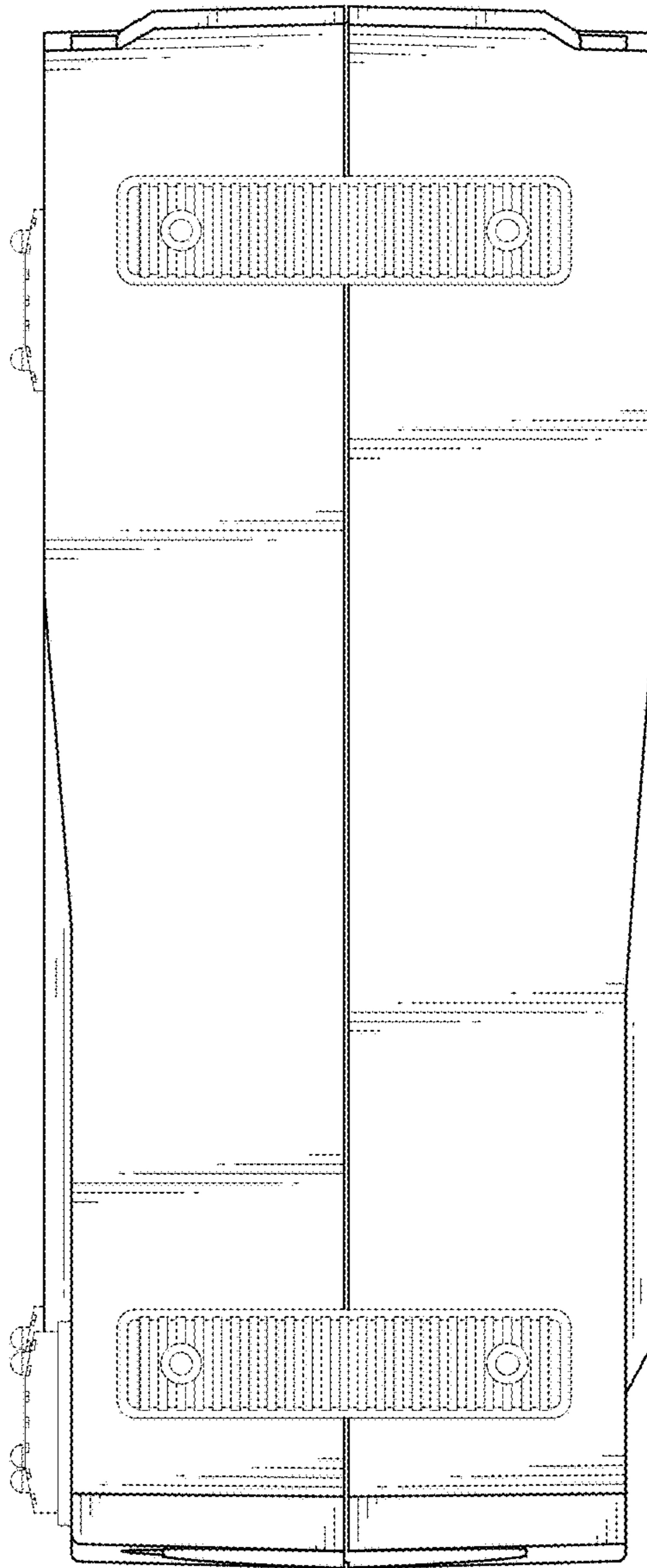


FIG. 8