



US00D838745S

(12) **United States Design Patent**
Harriton et al.

(10) **Patent No.:** **US D838,745 S**
(45) **Date of Patent:** **** Jan. 22, 2019**

- (54) **SNORKEL**
- (71) Applicant: **StreetCar ORV LLC**, Wixom, MI (US)
- (72) Inventors: **David Harriton**, Missoula, MT (US);
Mark Stouffer, Oakland Township, MI (US)
- (73) Assignee: **StreetCar ORV LLC**, Wixom, MI (US)
- (**) Term: **15 Years**
- (21) Appl. No.: **29/624,208**
- (22) Filed: **Oct. 31, 2017**
- (51) **LOC (11) Cl.** **15-01**
- (52) **U.S. Cl.**
USPC **D15/5**
- (58) **Field of Classification Search**
USPC D12/400; D15/1-6, 28, 29, 122;
D24/110.4, 110.5
CPC F02M 35/10013; F02M 35/164; F02M
35/0226; F02M 35/08; F02M 35/10347;
F02M 35/10163; F02M 35/10124; F02M
35/10072; F02M 35/0201; F02M 35/003;
F02M 35/100019; F02M 35/048; F02M
35/10; F02M 35/10131; B60K 13/02
See application file for complete search history.

(56) **References Cited**

U.S. PATENT DOCUMENTS

D325,866 S *	5/1992	Gary	D26/138
D339,400 S *	9/1993	Lin	D24/110.5
D350,585 S *	9/1994	Rasocha	D24/110.5
D525,857 S *	8/2006	Recknagel	D8/331
D530,008 S *	10/2006	Mix	D24/110.5
D618,996 S *	7/2010	Wu	D8/1
D636,408 S *	4/2011	Luxon	D12/400

D636,787 S *	4/2011	Luxon	D12/400
D636,788 S *	4/2011	Luxon	D12/400
D637,623 S *	5/2011	Luxon	D12/400
D638,446 S *	5/2011	Luxon	D12/400
D641,377 S *	7/2011	Luxon	D12/400
D648,745 S *	11/2011	Luxon	D12/400
D649,162 S *	11/2011	Luxon	D12/400
D679,576 S *	4/2013	Paul	D8/354
D693,370 S *	11/2013	Randhawa	D15/5
D718,671 S *	12/2014	Parvey	D12/114
D719,190 S *	12/2014	Berry	D12/400
D720,666 S *	1/2015	Farmer	D12/133
D727,701 S *	4/2015	Goldy	D8/34
D752,109 S *	3/2016	Harriton	D15/5
D774,101 S *	12/2016	Delgado	D15/5
D793,838 S *	8/2017	Le	D8/302
D794,411 S *	8/2017	Le	D8/302
D801,171 S *	10/2017	Eziquiel-Shriro	D9/448
D820,767 S *	6/2018	Fogg	D12/222

(Continued)

Primary Examiner — Garth Rademaker
Assistant Examiner — Fitzgerald L Butac
(74) *Attorney, Agent, or Firm* — Quinn IP Law

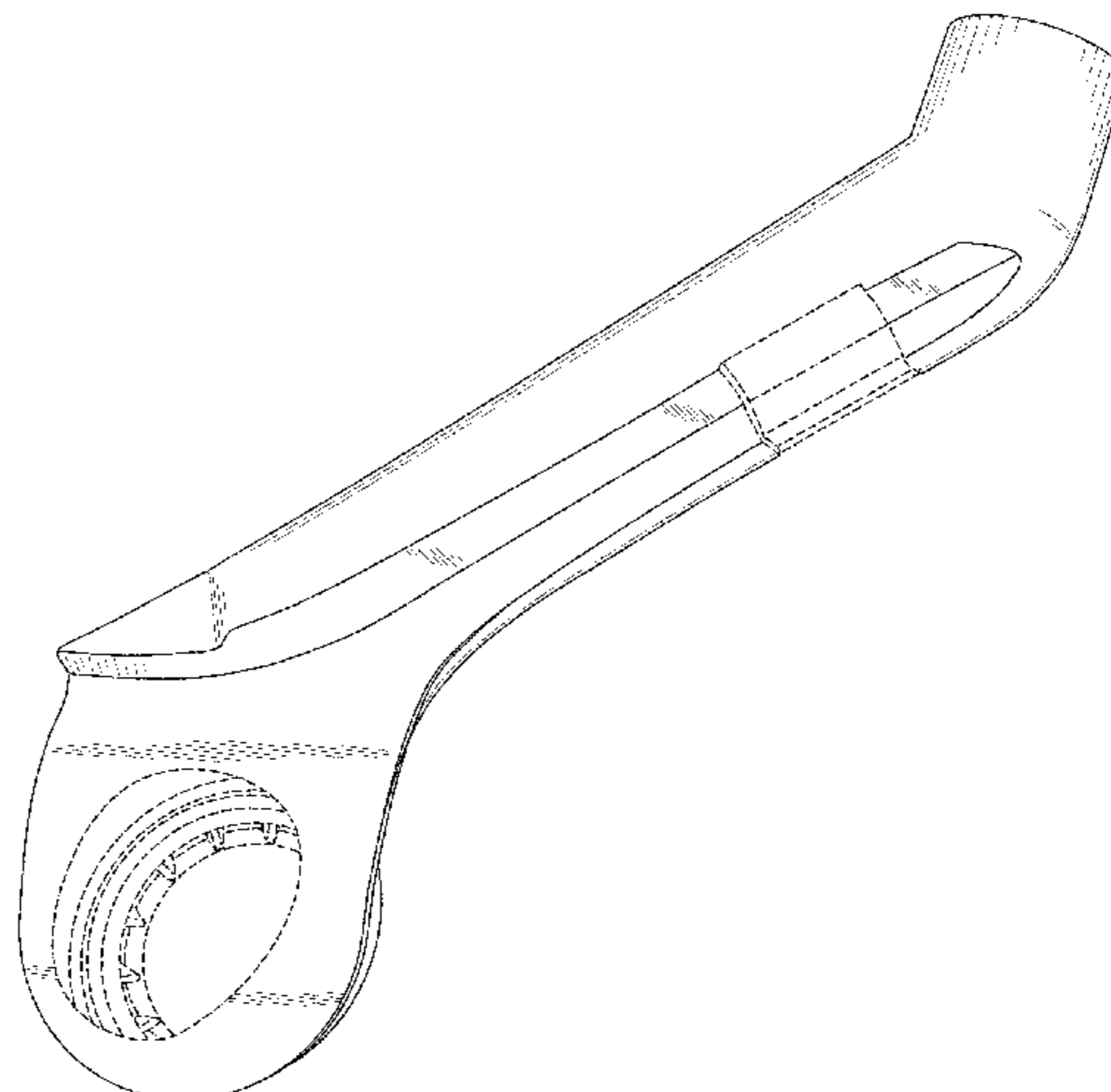
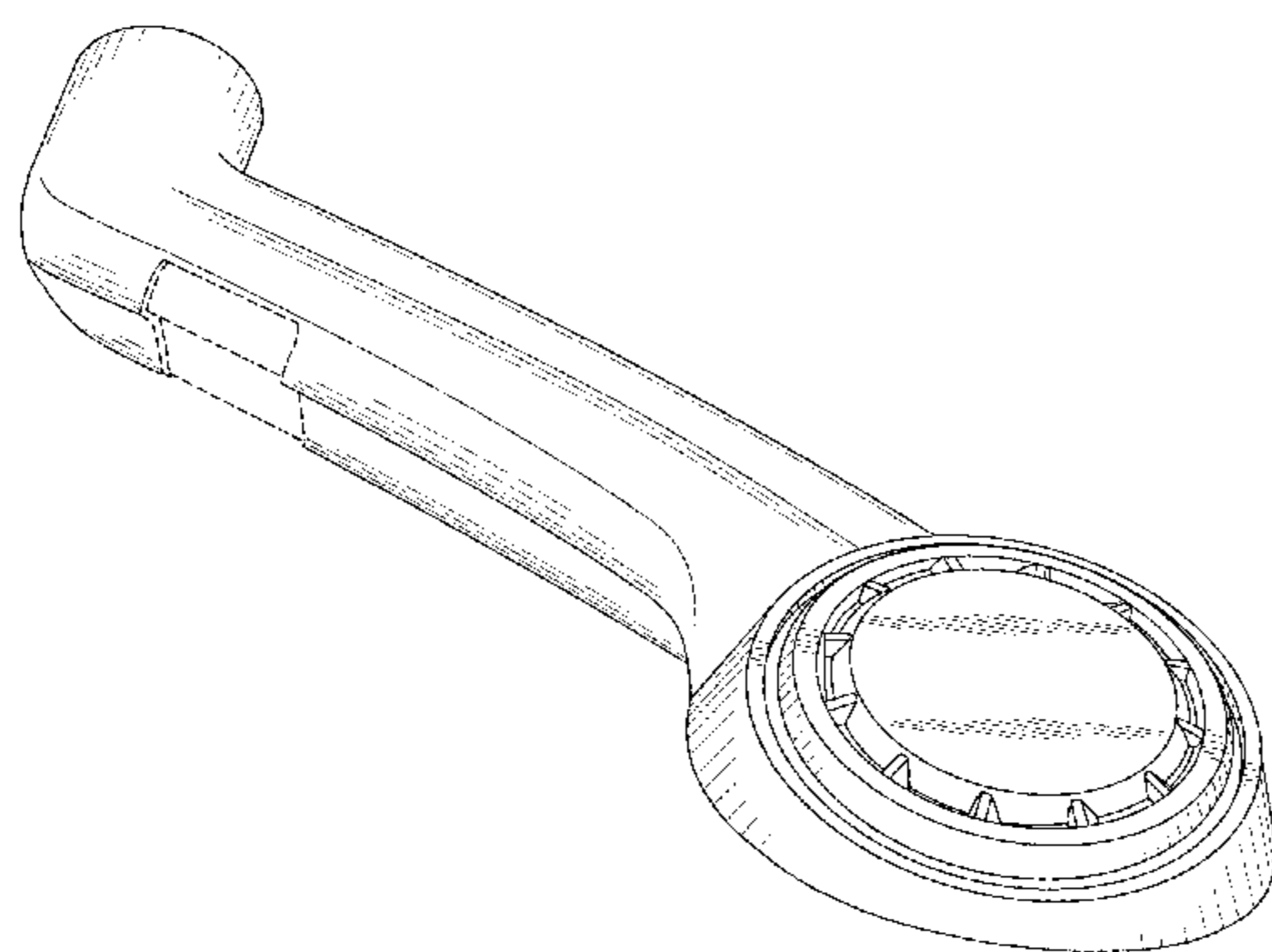
(57) **CLAIM**

We claim the ornamental design for a snorkel, as shown and described.

DESCRIPTION

FIG. 1 is a bottom and right and rear side perspective view of a snorkel,
FIG. 2 is a right elevation view thereof,
FIG. 3 is a left elevation view thereof,
FIG. 4 is a rear elevation view thereof,
FIG. 5 is a front elevation view thereof,
FIG. 6 is a bottom plan view thereof,
FIG. 7 is a top plan view thereof; and,
FIG. 8 is a bottom and left and rear perspective view thereof.
All broken lines illustrate portions of the snorkel to which the design is applied that form no part of the claim.

1 Claim, 5 Drawing Sheets



(56)

References Cited

U.S. PATENT DOCUMENTS

D826,683 S * 8/2018 Hsu D8/308
D827,411 S * 9/2018 Earley D8/318

* cited by examiner

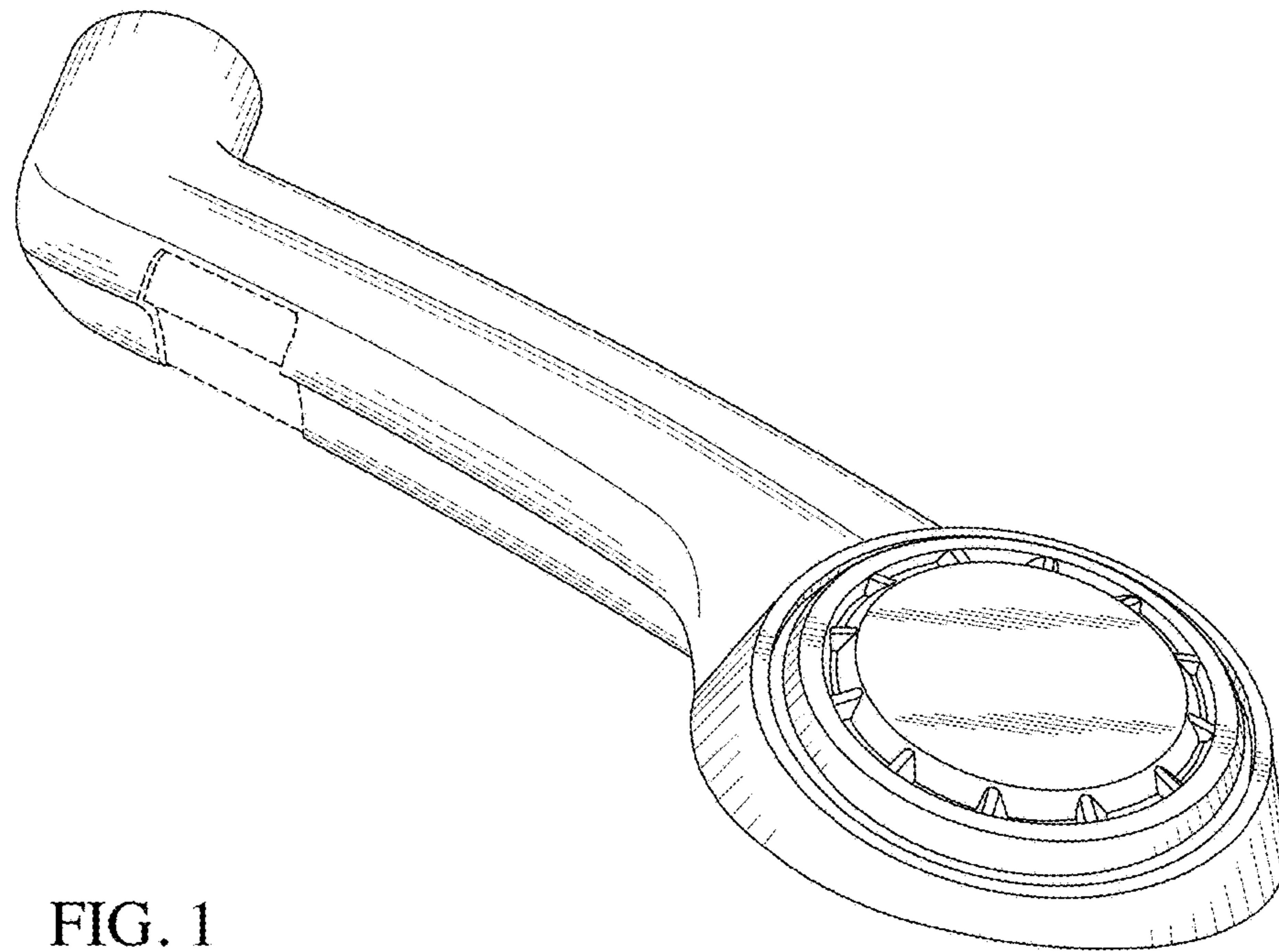


FIG. 1

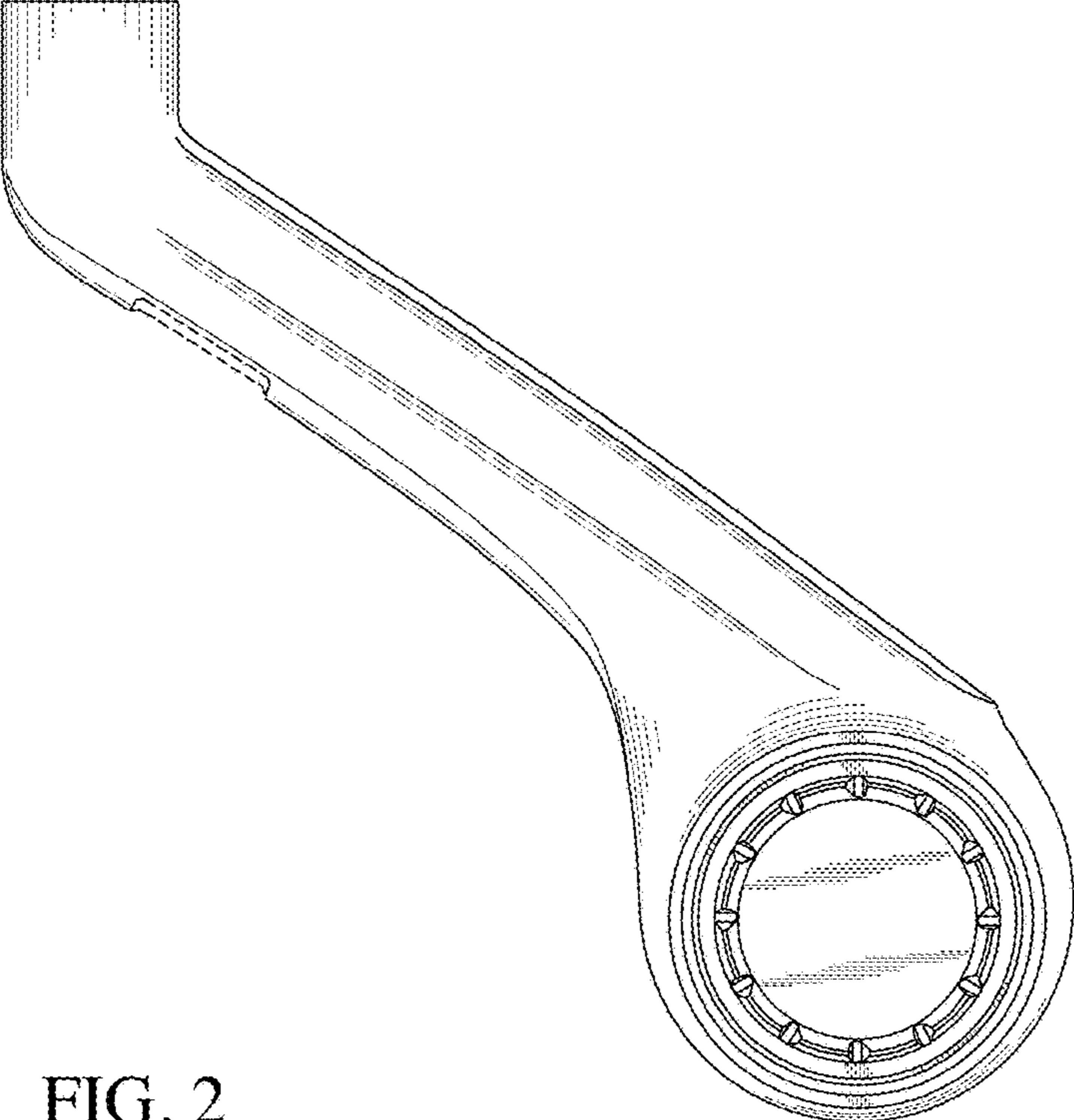


FIG. 2

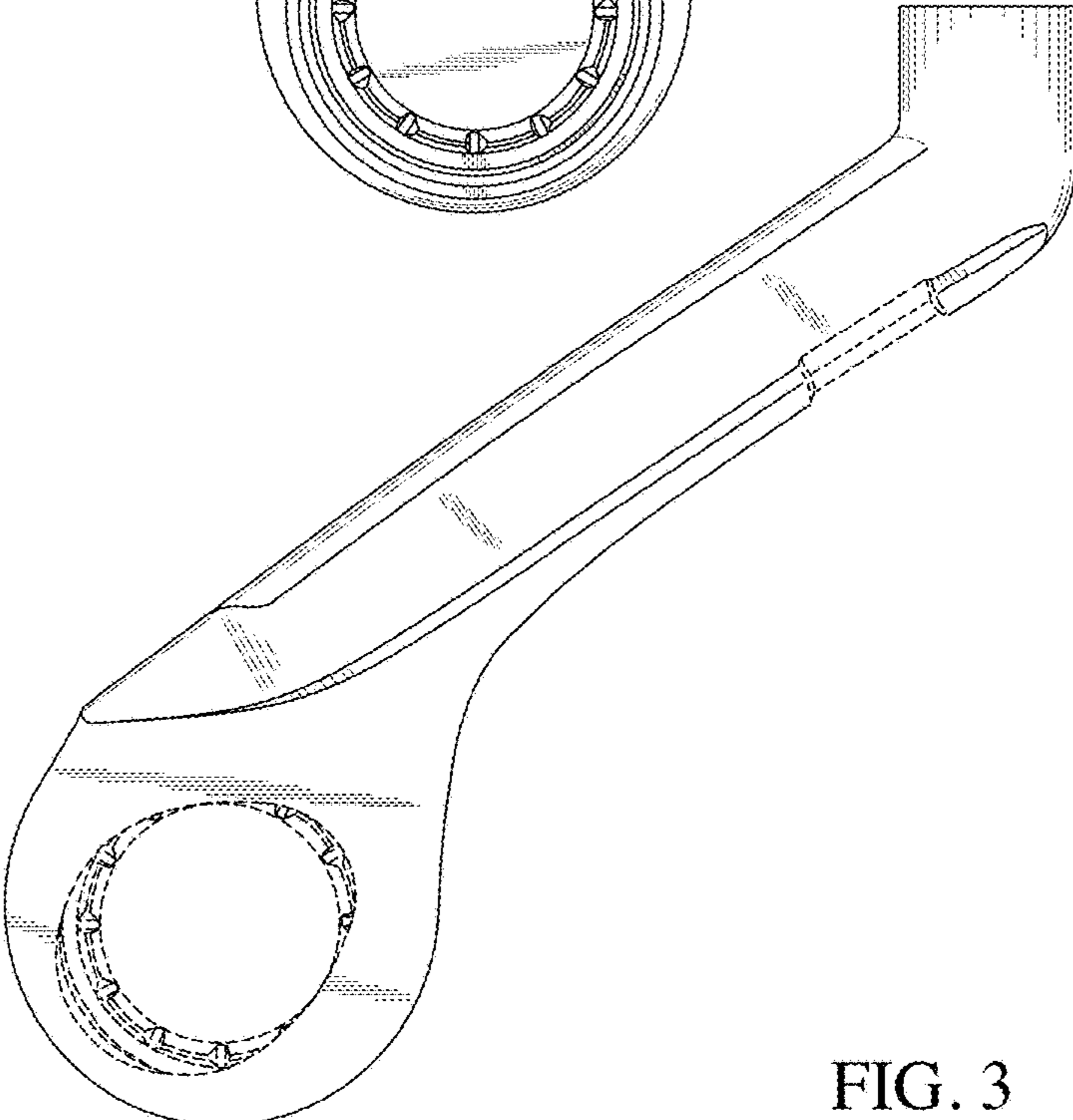


FIG. 3

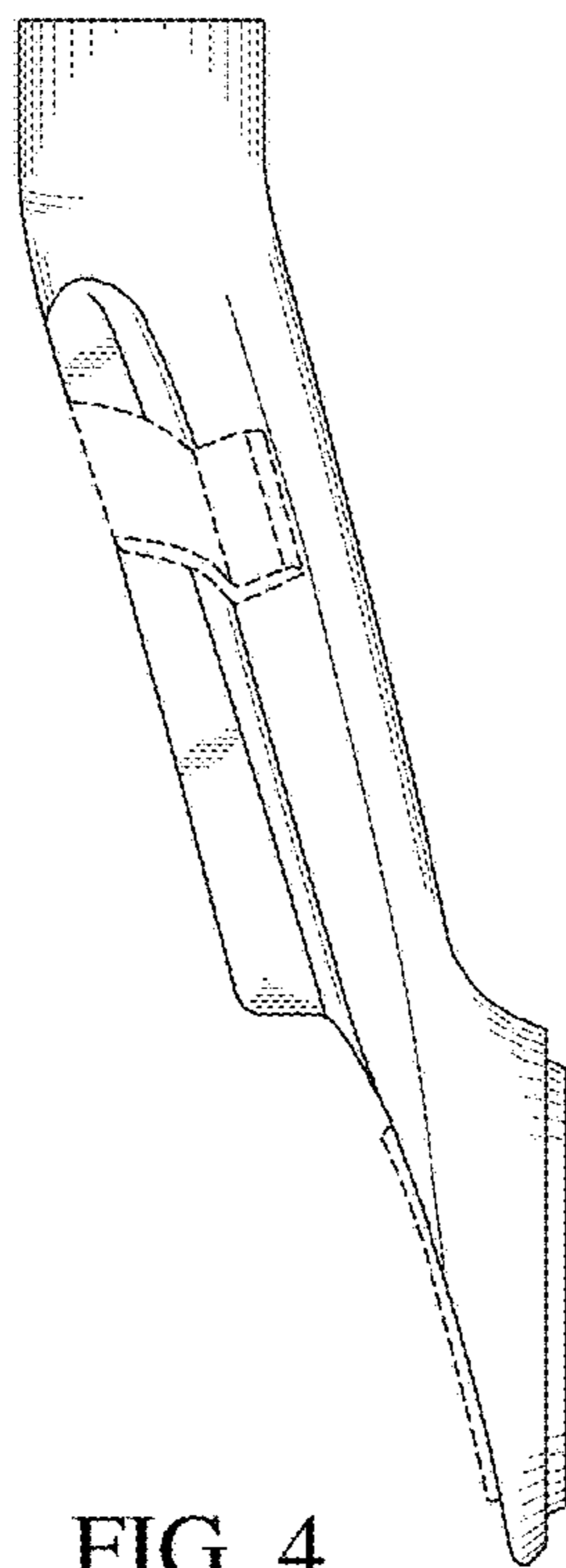


FIG. 4

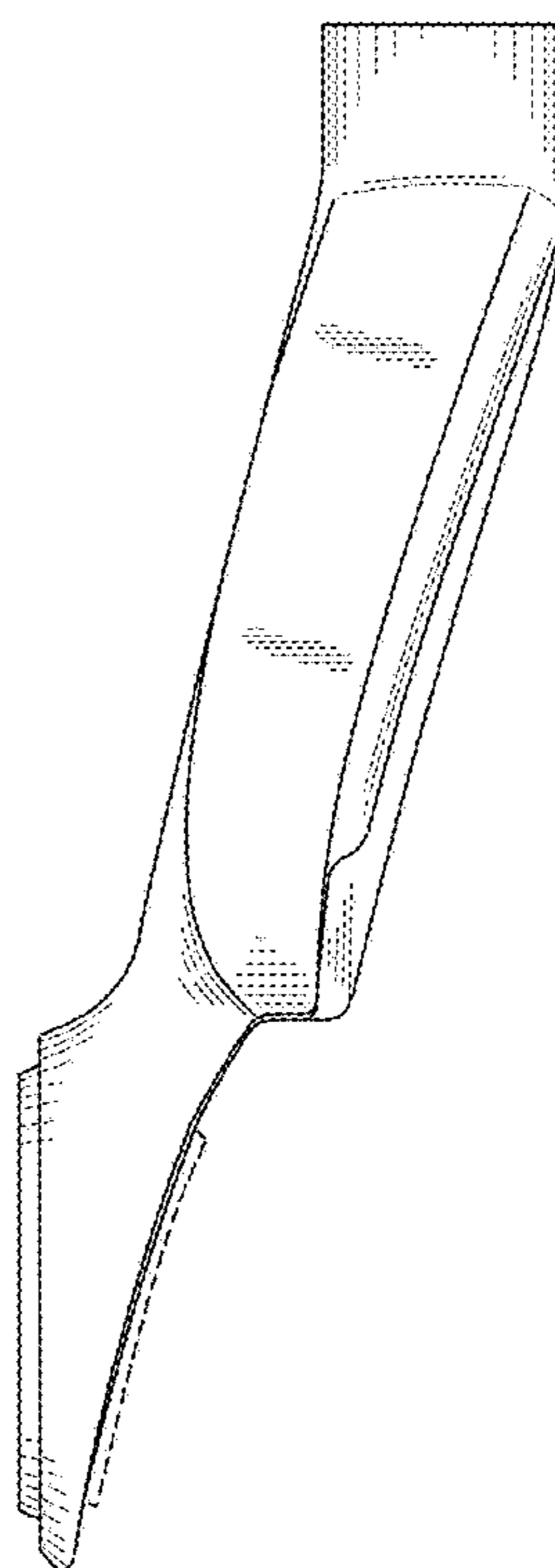


FIG. 5

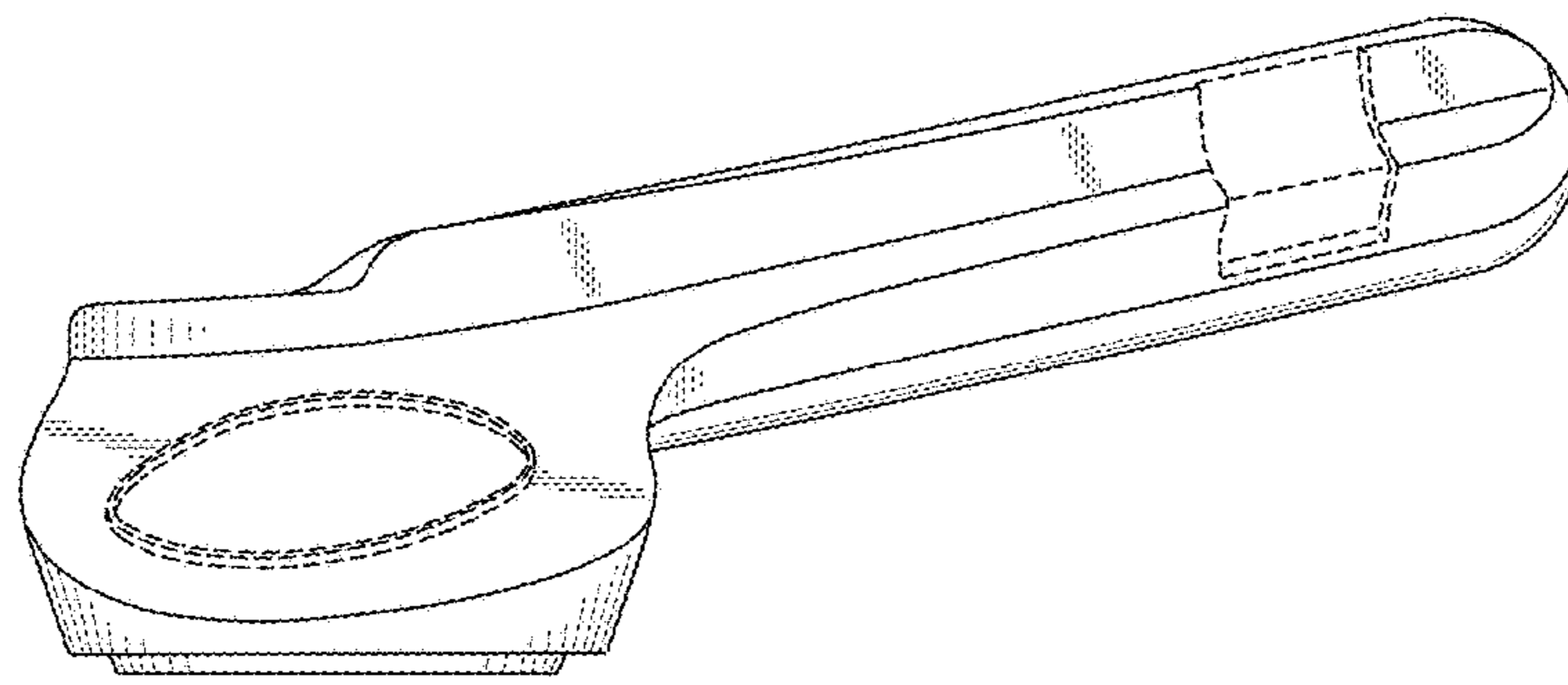


FIG. 6

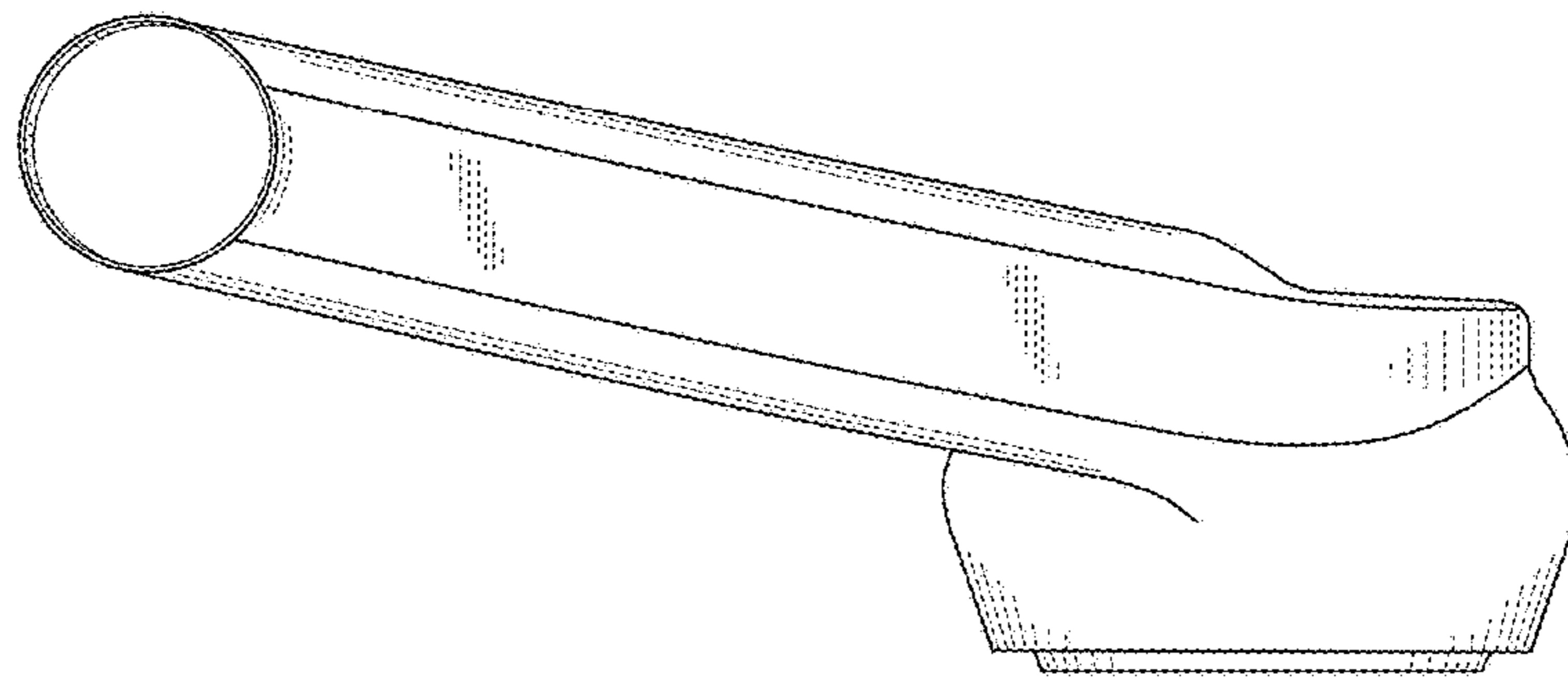


FIG. 7

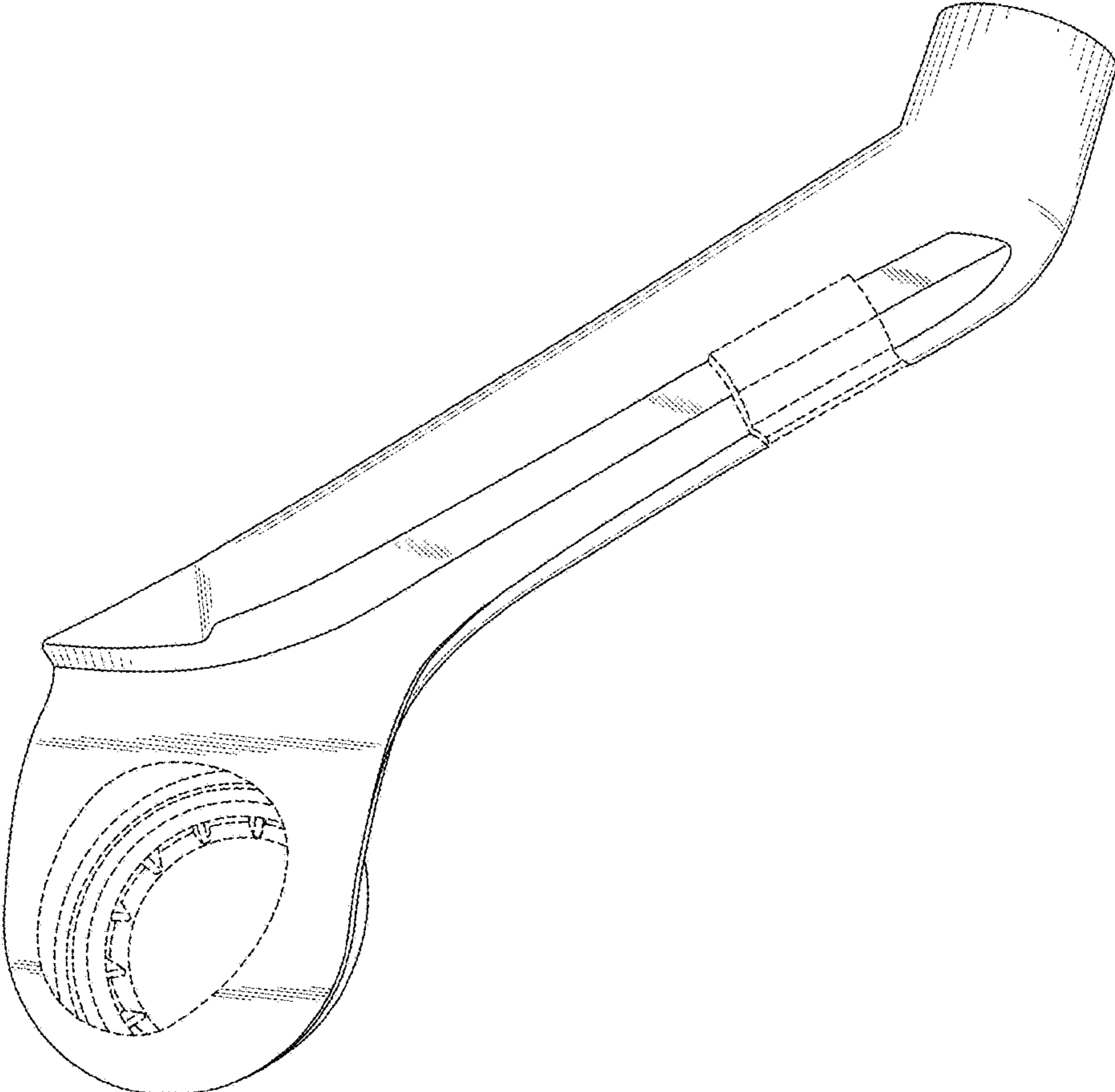


FIG. 8