



US00D838744S

(12) **United States Design Patent**  
**Gan**

(10) **Patent No.:** **US D838,744 S**

(45) **Date of Patent:** **\*\* Jan. 22, 2019**

- (54) **MOBILE DVD PLAYER**
- (71) Applicant: **Shenzhen Valuelink E-Commerce Co., Ltd., Shenzhen (CN)**
- (72) Inventor: **Qing-Cao Gan, Shenzhen (CN)**
- (73) Assignee: **Shenzhen Valuelink E-Commerce Co., Ltd., Shenzhen (CN)**
- (\*\*) Term: **15 Years**
- (21) Appl. No.: **29/622,541**
- (22) Filed: **Oct. 18, 2017**
- (51) **LOC (11) Cl.** ..... **14-01**
- (52) **U.S. Cl.**  
USPC ..... **D14/501; D14/129**
- (58) **Field of Classification Search**  
USPC ..... D14/498-511, 125, 129  
CPC ..... B60K 35/00; B60K 37/00; B60K 37/02;  
B60K 37/06; B60R 11/02; H04B 1/06;  
H04B 1/08; H04B 1/082  
See application file for complete search history.

D494,190 S *	8/2004	Hong	.....	D14/501
D501,656 S *	2/2005	Peng	.....	D14/129
D501,833 S *	2/2005	Peng	.....	D14/129
D503,165 S *	3/2005	Tsuge	.....	D14/501
D513,507 S *	1/2006	Tsuge	.....	D14/500
D519,476 S *	4/2006	Peng	.....	D14/129
D681,577 S *	5/2013	Tejima	.....	D14/129

\* cited by examiner

*Primary Examiner* — Sandra L Morris

(74) *Attorney, Agent, or Firm* — ScienBiziP, P.C.

(57) **CLAIM**

The ornamental design for a mobile DVD player, as shown.

**DESCRIPTION**

This design patent application is related to U.S. Design patent application Ser. No. 29/622,540, filed concurrently with this design patent application.

FIG. 1 is a front perspective view of an embodiment of a mobile DVD player, showing the claimed new design;

FIG. 2 is a rear perspective view of the mobile DVD player shown in FIG. 1;

FIG. 3 is a front elevation view of the mobile DVD player shown in FIG. 1;

FIG. 4 is a rear elevation view of the mobile DVD player shown in FIG. 1;

FIG. 5 is a left side elevation view of the mobile DVD player shown in FIG. 1;

FIG. 6 is a right side elevation view of the mobile DVD player shown in FIG. 1;

FIG. 7 is a top plan view of the mobile DVD player shown in FIG. 1; and,

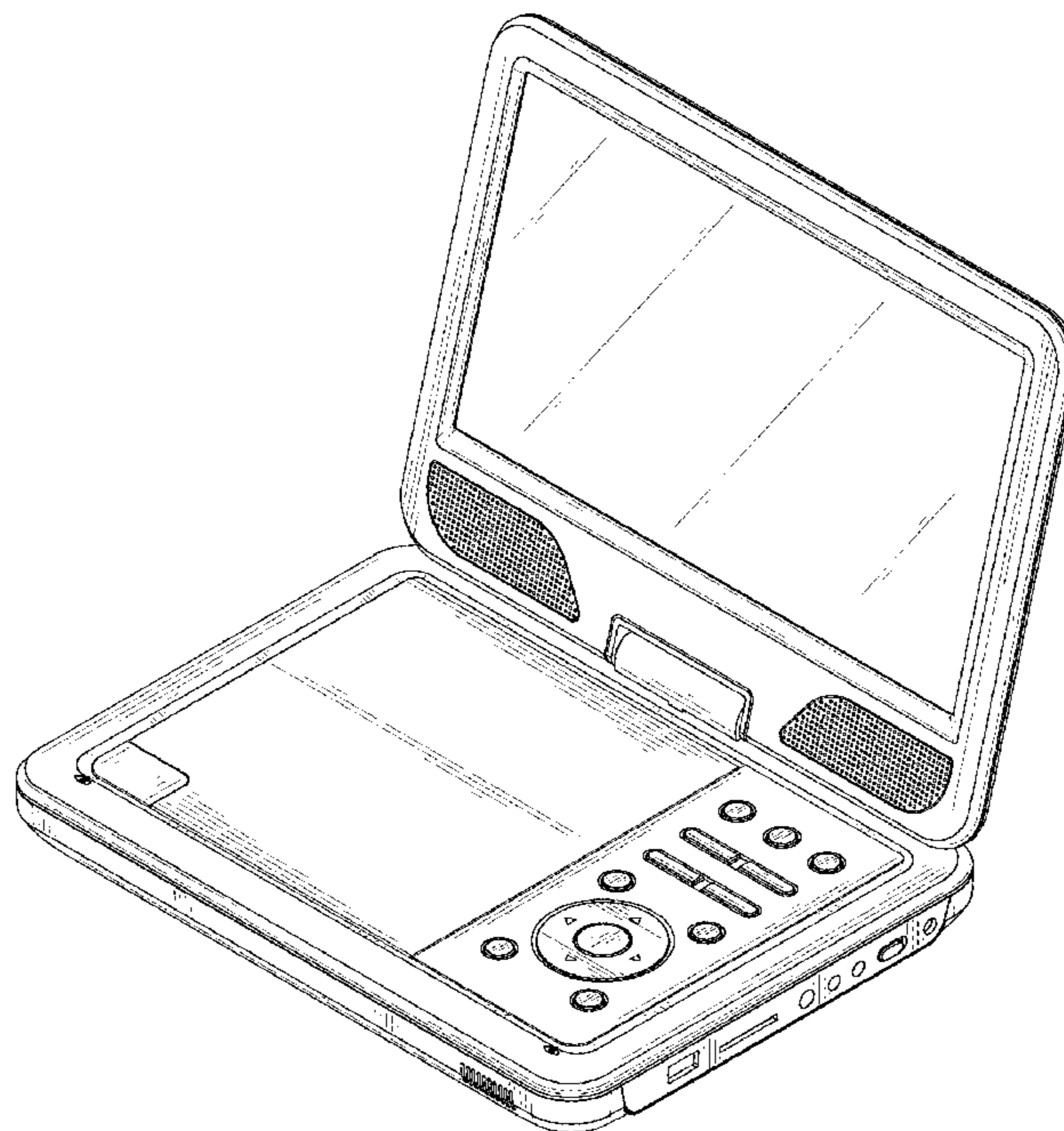
FIG. 8 is a bottom plan view of the mobile DVD player shown in FIG. 1.

**1 Claim, 8 Drawing Sheets**

(56) **References Cited**

U.S. PATENT DOCUMENTS

D377,648 S *	1/1997	Young	.....	D14/129
D445,100 S *	7/2001	Sawai	.....	D14/501
D447,738 S *	9/2001	Usami	.....	D14/129
D456,373 S *	4/2002	Usami	.....	D14/129
D456,382 S *	4/2002	Christianson	.....	D14/168
D467,887 S *	12/2002	Azuma	.....	D14/129
D485,542 S *	1/2004	Wu	.....	D14/507
D488,165 S *	4/2004	Harel	.....	D14/501
D494,189 S *	8/2004	Ko	.....	D14/501



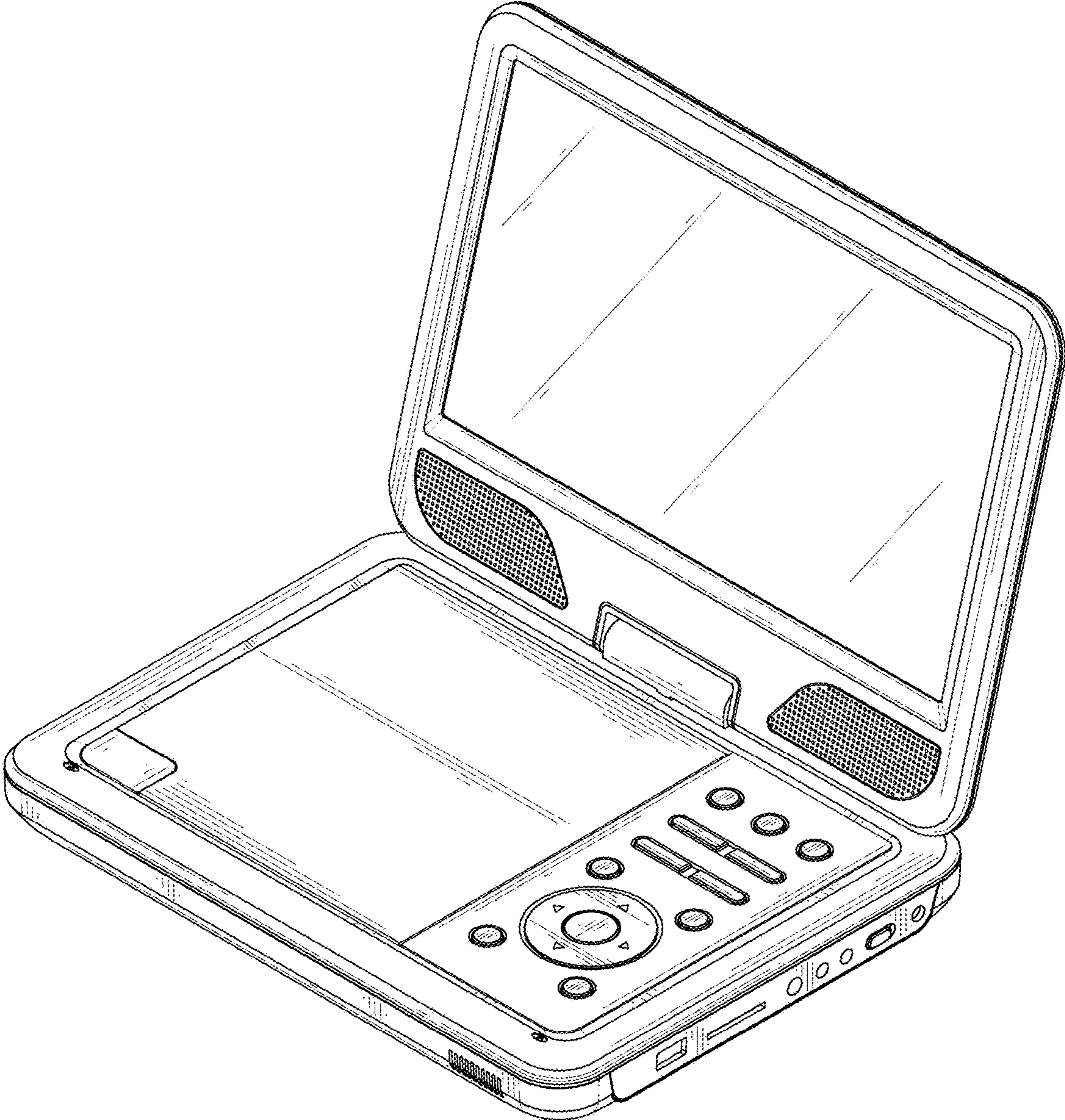


FIG. 1

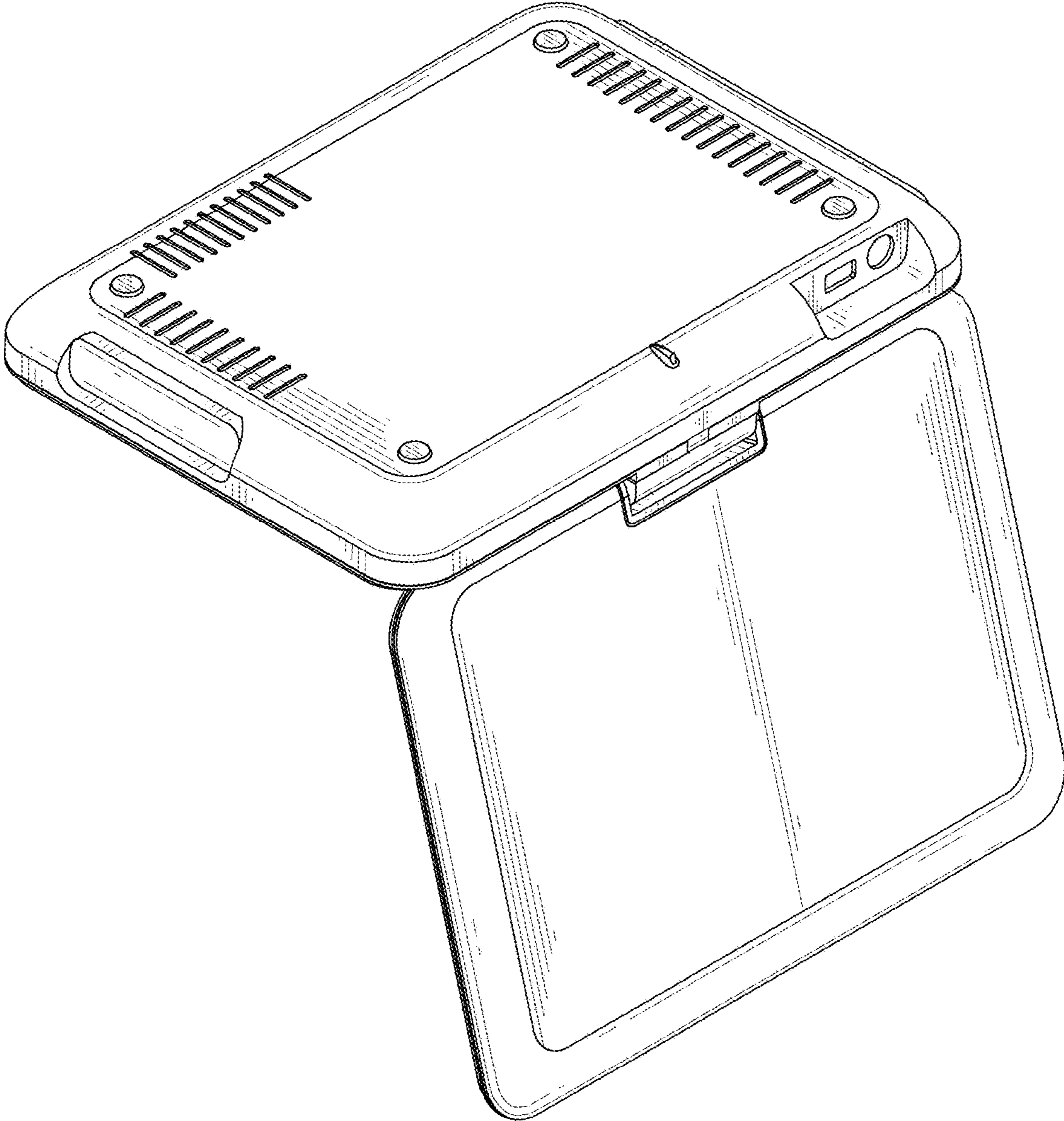


FIG. 2

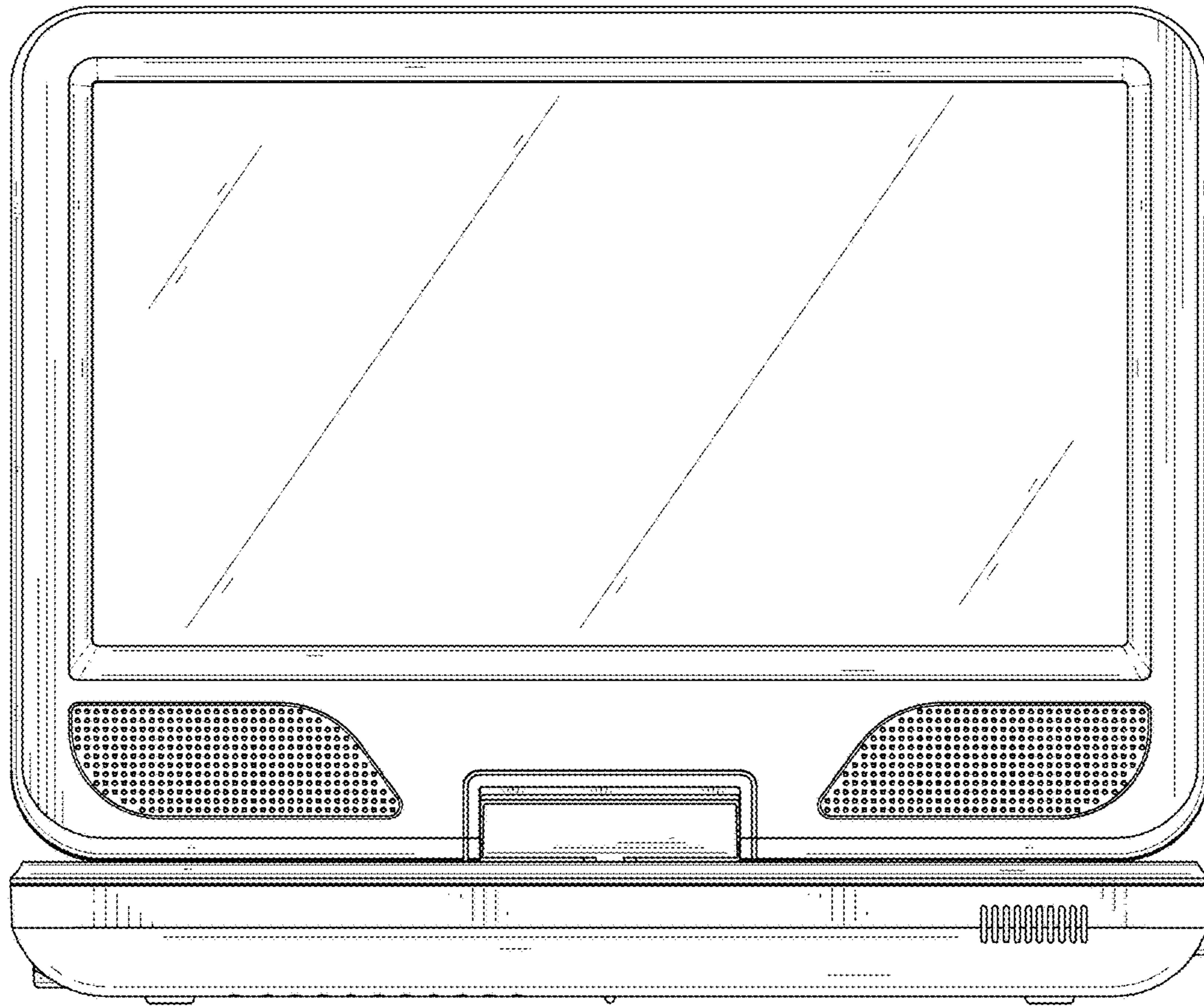


FIG. 3

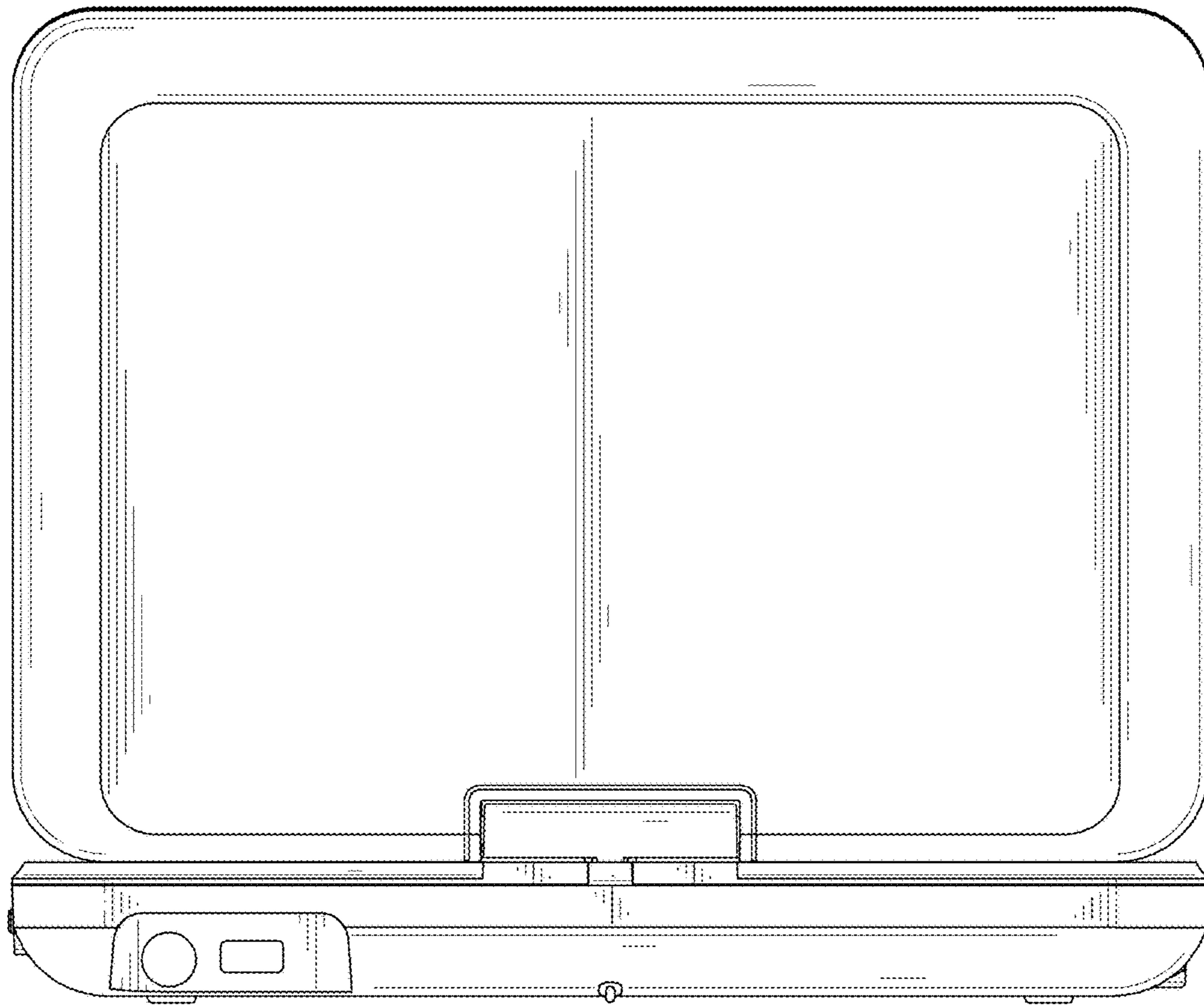


FIG. 4

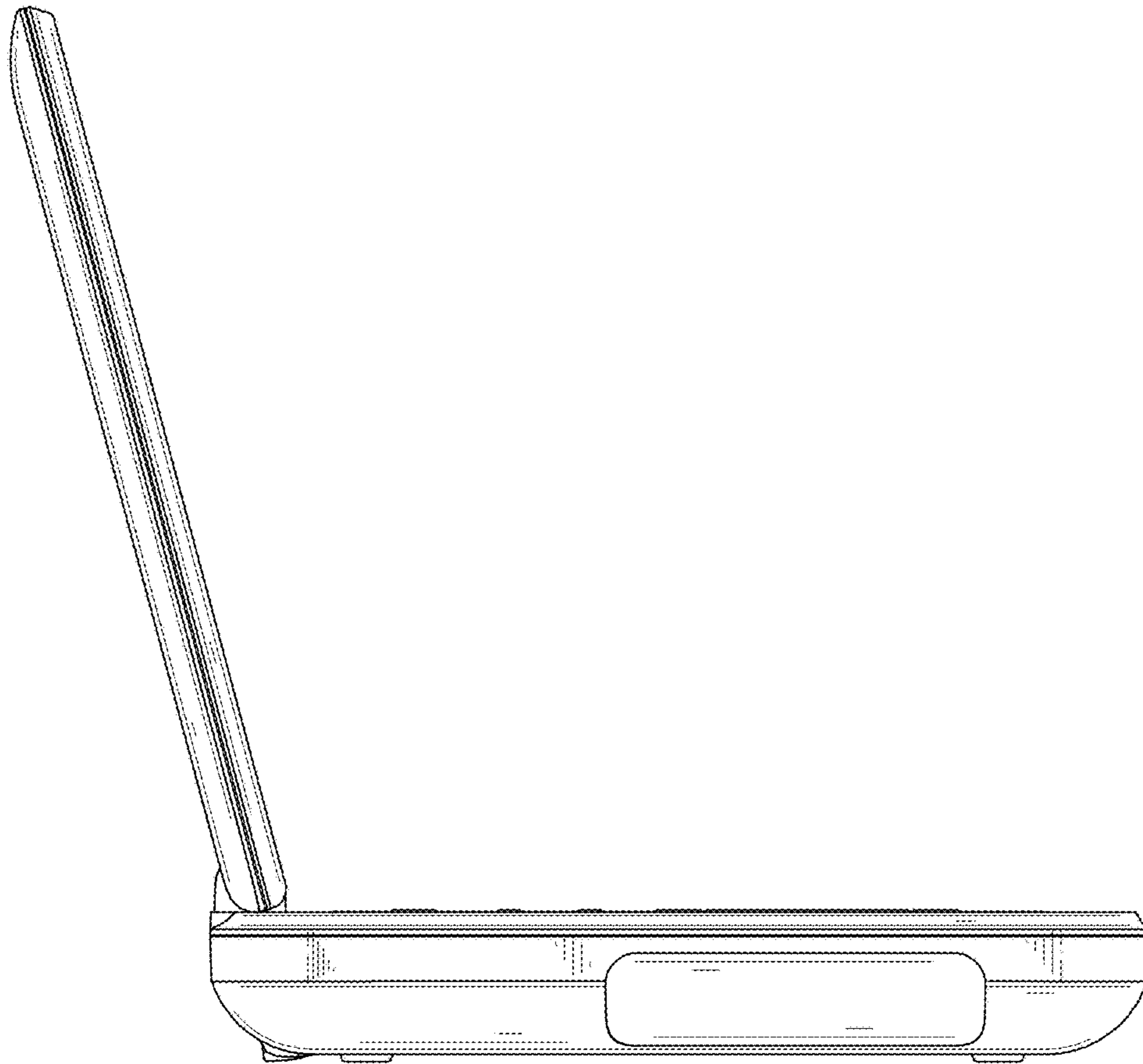


FIG. 5

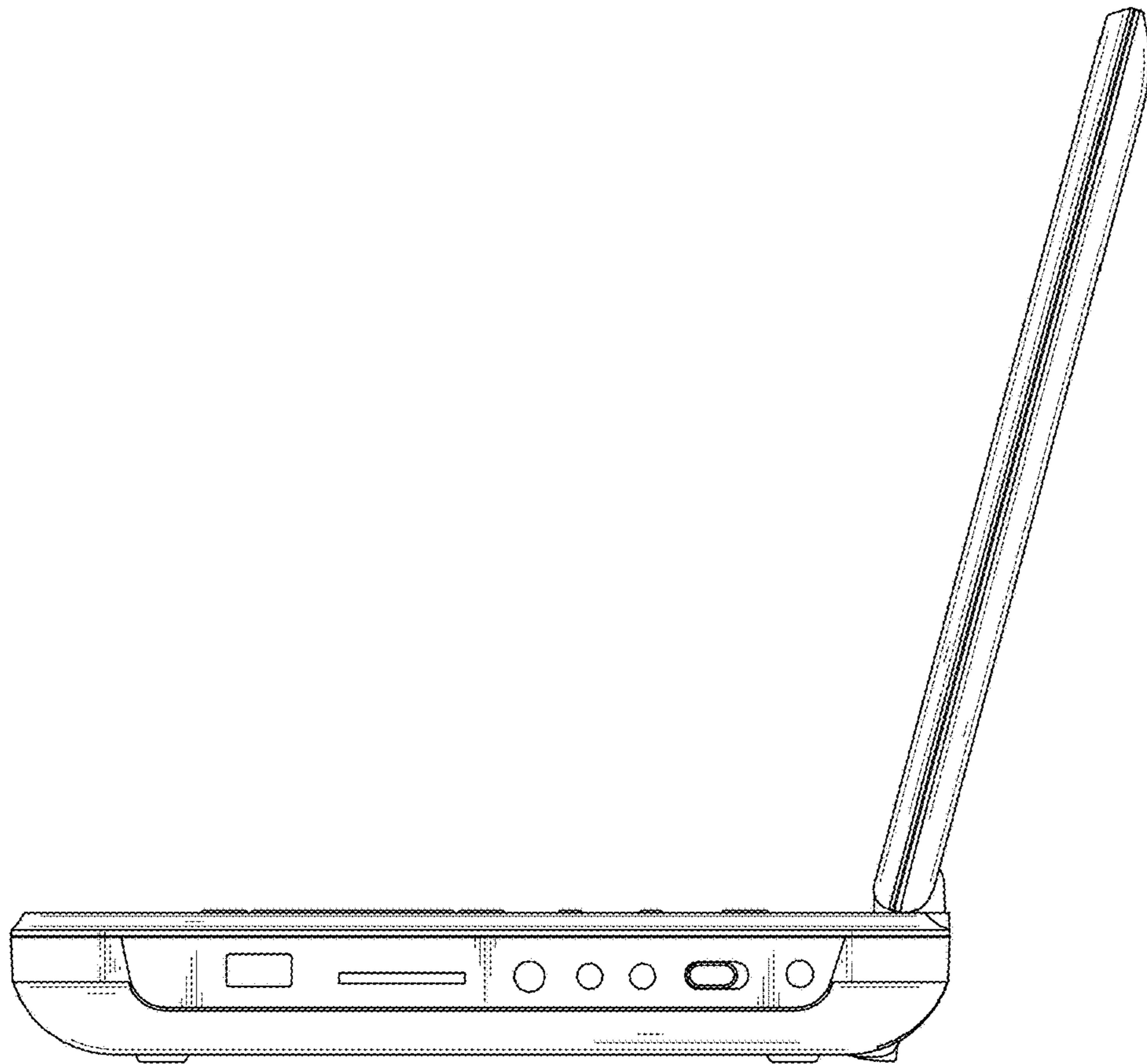


FIG. 6

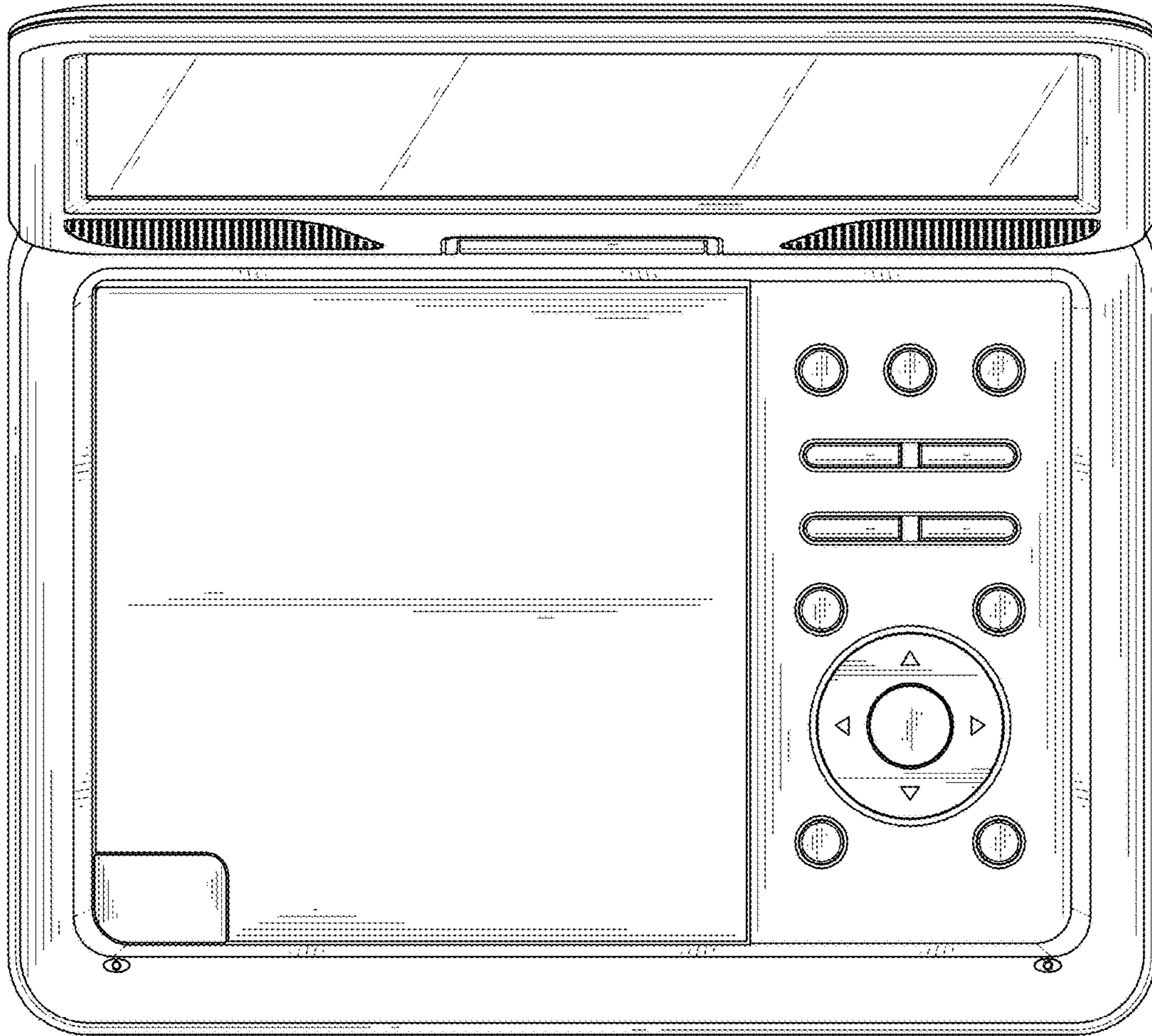


FIG. 7



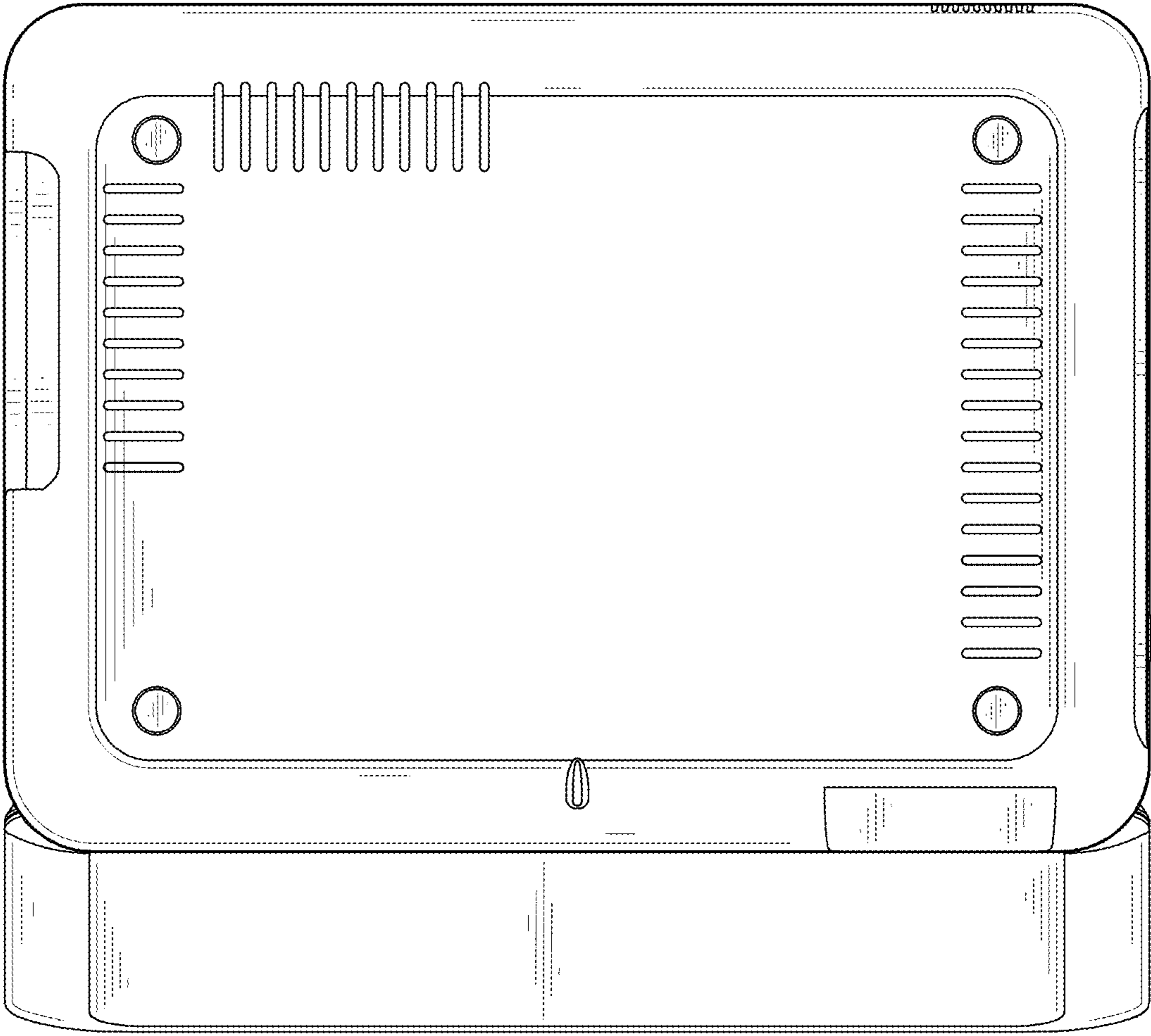


FIG. 8