



US00D838743S

(12) **United States Design Patent**  
**Fo-Yam**

(10) **Patent No.:** **US D838,743 S**  
(45) **Date of Patent:** **\*\* Jan. 22, 2019**

(54) **PORTABLE SINGING MACHINE**  
(71) Applicant: **Christophe Fo-Yam**, Kowloon (HK)  
(72) Inventor: **Christophe Fo-Yam**, Kowloon (HK)  
(73) Assignee: **iDance Distribution Limited**, Kowloon (HK)  
(\*\*) Term: **15 Years**

D597,520 S \* 8/2009 Shiono ..... D10/2  
D606,096 S \* 12/2009 Bui ..... D14/168  
D612,865 S \* 3/2010 Zhang ..... D14/496  
D614,669 S \* 4/2010 Strauser ..... D14/496  
D614,670 S \* 4/2010 Strauser ..... D14/496  
D617,812 S \* 6/2010 Strauser ..... D14/168  
D619,993 S \* 7/2010 Song ..... D14/168  
D626,147 S \* 10/2010 Goddard ..... D14/496  
D639,688 S \* 6/2011 Neufeglise ..... D10/116.1  
D641,376 S \* 7/2011 Strauser ..... D14/497

(Continued)

(21) Appl. No.: **29/611,699**  
(22) Filed: **Jul. 25, 2017**  
(51) **LOC (11) Cl.** ..... **14-03**  
(52) **U.S. Cl.**  
USPC ..... **D14/497**  
(58) **Field of Classification Search**  
USPC .... D14/125, 137, 140–140.9, 155, 159, 167,  
D14/168, 172, 188, 194, 203.1, 204,  
D14/209.1, 216, 217, 221, 225–229, 240,  
D14/242, 299, 348, 349, 356–358, 432,  
D14/433, 474, 496, 497, 170–171,  
D14/195–198, 498–502; D10/104.1,  
D10/106.1–106.9; D13/108, 110, 123,  
D13/158, 177, 199; D21/333, 483, 513  
CPC ..... H04L 12/00; H03K 17/00; H04W 88/00;  
H04W 88/04; H04B 1/38; G10H 1/361;  
H04R 5/00; H04R 1/02; H04R 1/04;  
H04R 1/08  
See application file for complete search history.

**OTHER PUBLICATIONS**

Disney Frozen Flashing Lights Karaoke Machine, Walmart online, first review Nov. 17, 2014, <URL: <https://www.walmart.com/ip/Disney-Frozen-Flashing-Lights-Karaoke-Machine/39325007>>, retrieved Jul. 6, 2018.\*

(Continued)

*Primary Examiner* — Jeffrey D Asch  
*Assistant Examiner* — Rebekah A Caruso

(57) **CLAIM**

The ornamental design for a portable singing machine, as shown and described.

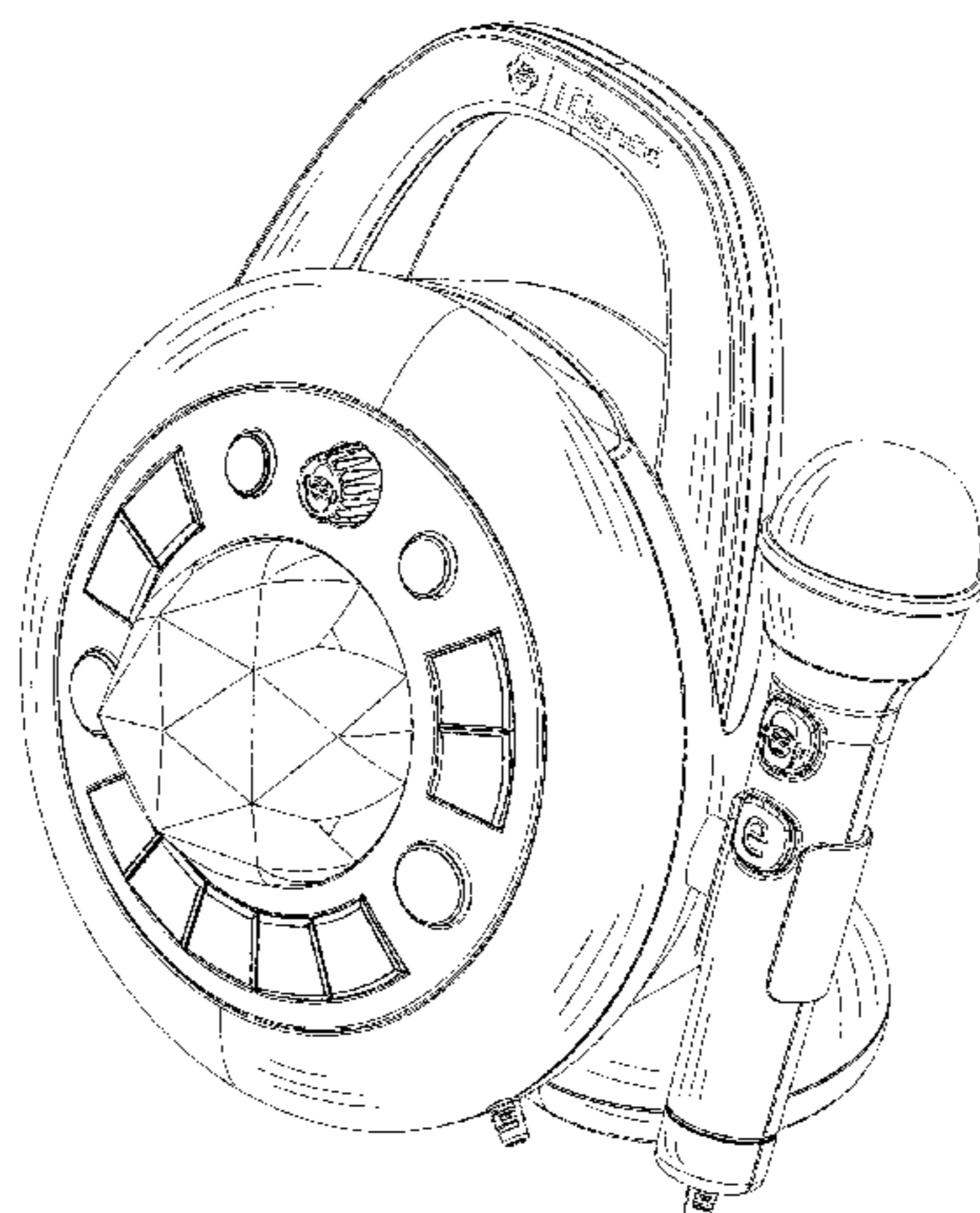
**DESCRIPTION**

FIG. 1 is a front elevational view of a portable singing machine showing my new design; FIG. 2 is a rear elevational view thereof; FIG. 3 is a left side view thereof; FIG. 4 is a right side view thereof; FIG. 5 is a top plan view thereof; FIG. 6 is a bottom plan view thereof; FIG. 7 is a perspective view thereof; and, FIG. 8 is another perspective view thereof. The broken lines shown in FIGS. 1, 5, 6, 7, and 8 depict portions of the article that forms no part of the claimed design.

**1 Claim, 7 Drawing Sheets**

(56) **References Cited**  
**U.S. PATENT DOCUMENTS**

D384,957 S \* 10/1997 Lee ..... D14/171  
D472,230 S \* 3/2003 Chan ..... D14/196  
D475,363 S \* 6/2003 Tang ..... D14/194  
D491,160 S \* 6/2004 Lin ..... D14/167  
D491,162 S \* 6/2004 Chan ..... D14/188  
D502,935 S \* 3/2005 Esslinger ..... D14/171  
D545,296 S \* 6/2007 Yang ..... D14/500  
D567,818 S \* 4/2008 Zhang ..... D14/496



(56)

**References Cited**

U.S. PATENT DOCUMENTS

D666,578 S \* 9/2012 Lin ..... D14/203.3  
D697,894 S \* 1/2014 Krisztal ..... D14/204  
D782,430 S \* 3/2017 Tam ..... D14/125  
D797,575 S \* 9/2017 Lai ..... D10/22  
D813,192 S \* 3/2018 Zeng ..... D14/204

OTHER PUBLICATIONS

iRocker Portable Bluetooth Karaoke Machine, Home Depot online,  
first review Dec. 28, 2016, <URL: [https://www.homedepot.com/p/iRocker-Portable-Bluetooth-Karaoke-Machine-BC-1000/300147882?MERCH=REC-\\_-PIPHorizontal2\\_rr--302939759-\\_-300147882-\\_-N](https://www.homedepot.com/p/iRocker-Portable-Bluetooth-Karaoke-Machine-BC-1000/300147882?MERCH=REC-_-PIPHorizontal2_rr--302939759-_-300147882-_-N)>, retrieved Jul. 6, 2018.\*

\* cited by examiner

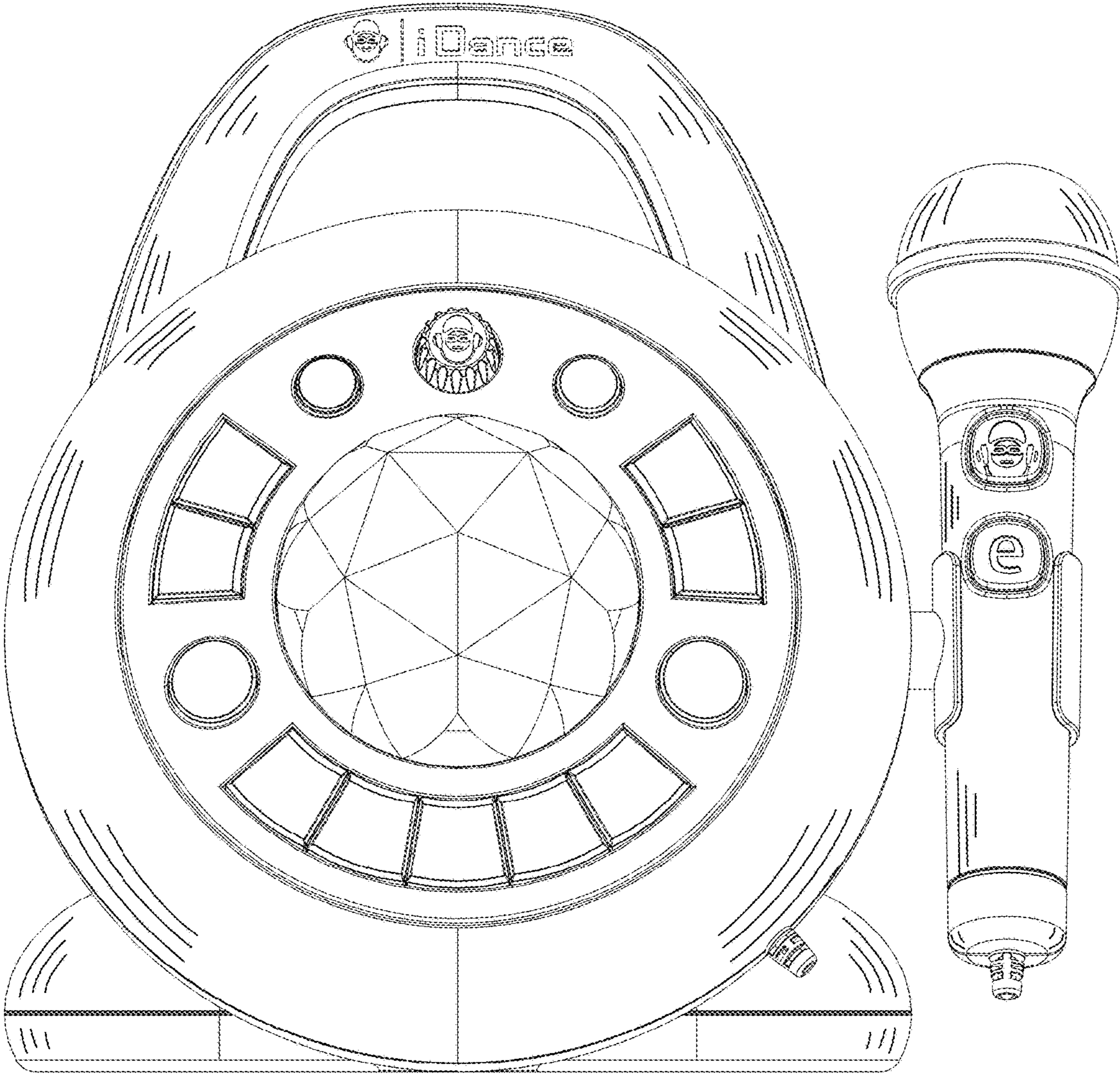


FIG. 1

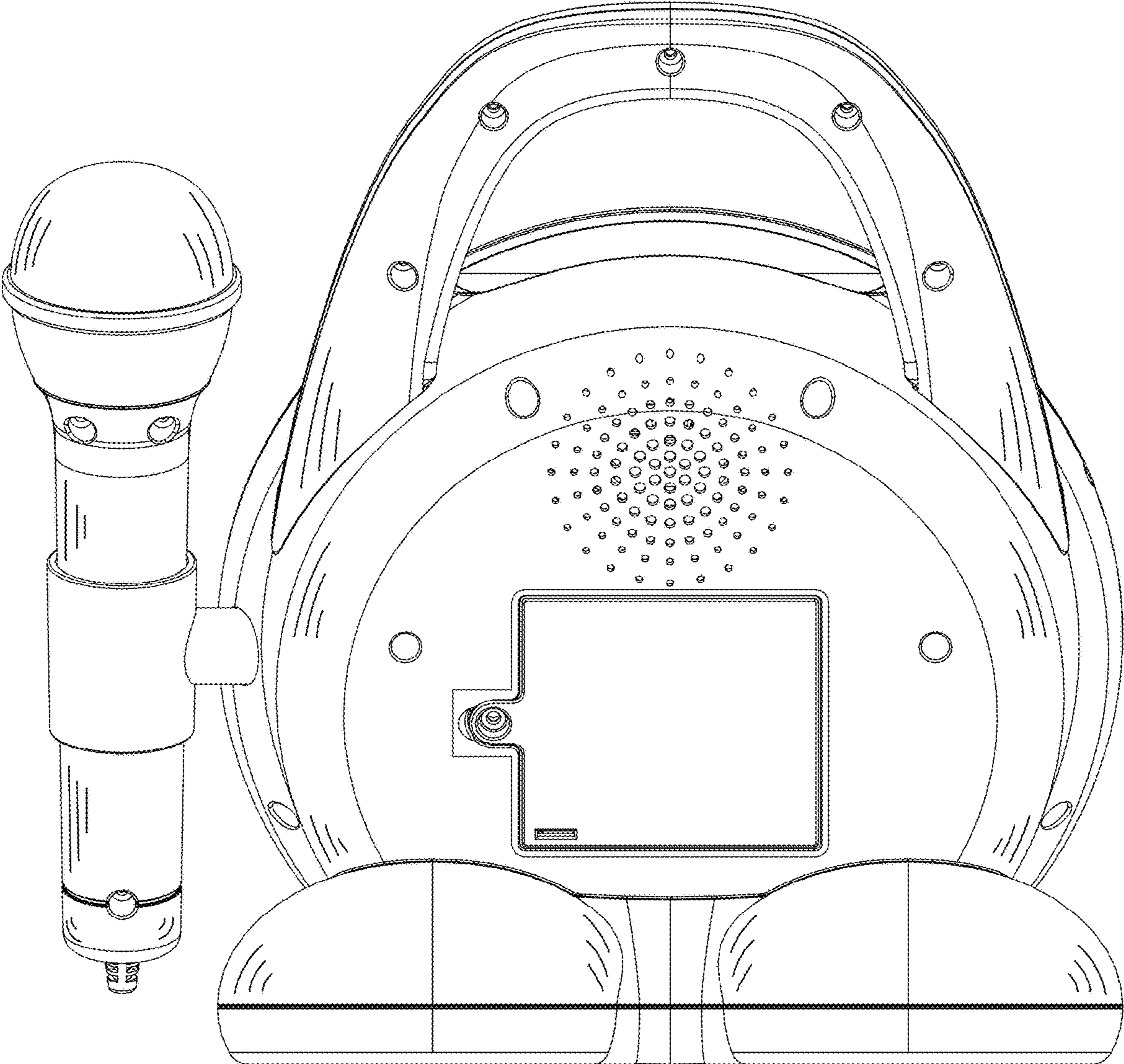


FIG. 2

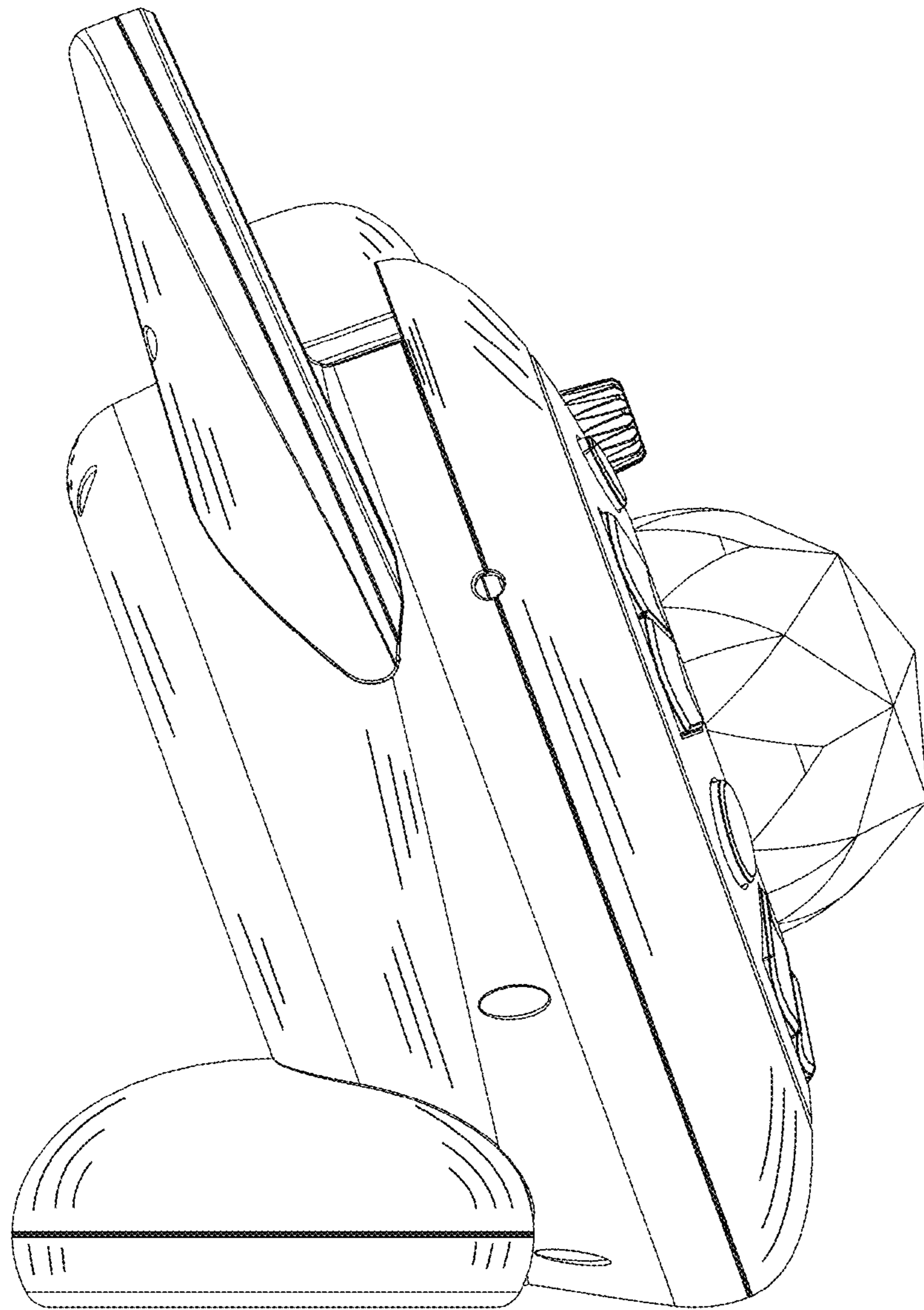


FIG. 3

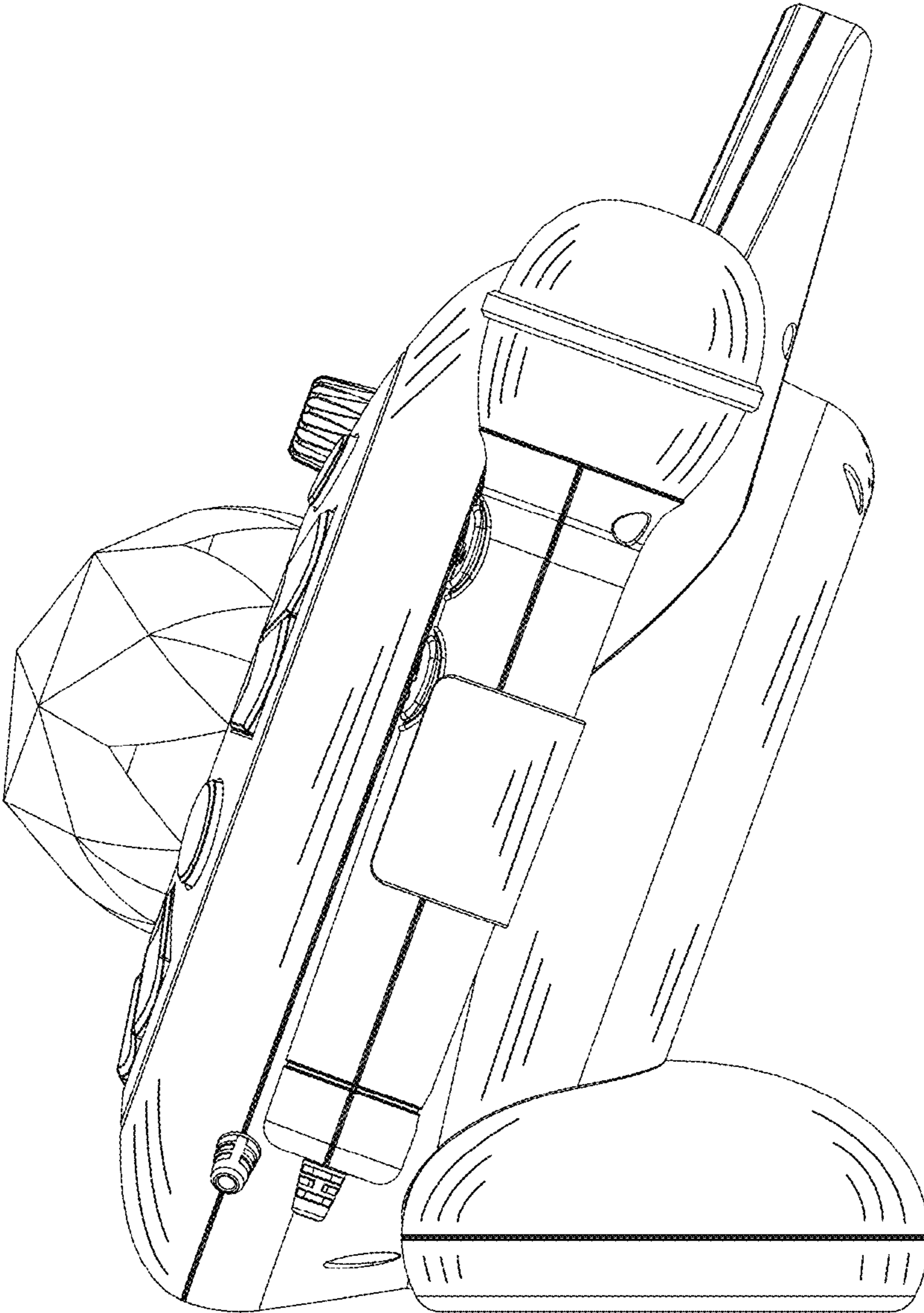


FIG. 4

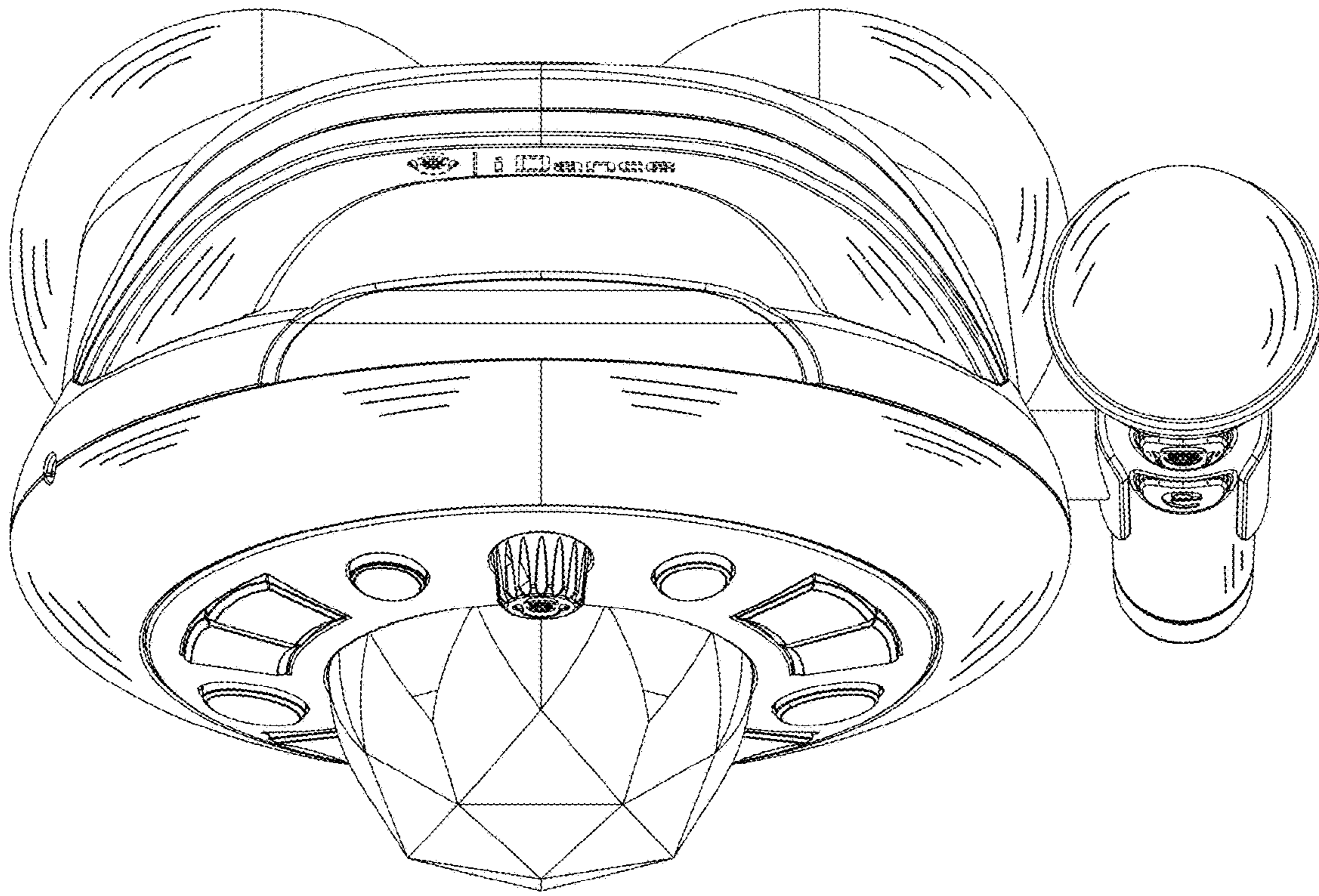


FIG. 5

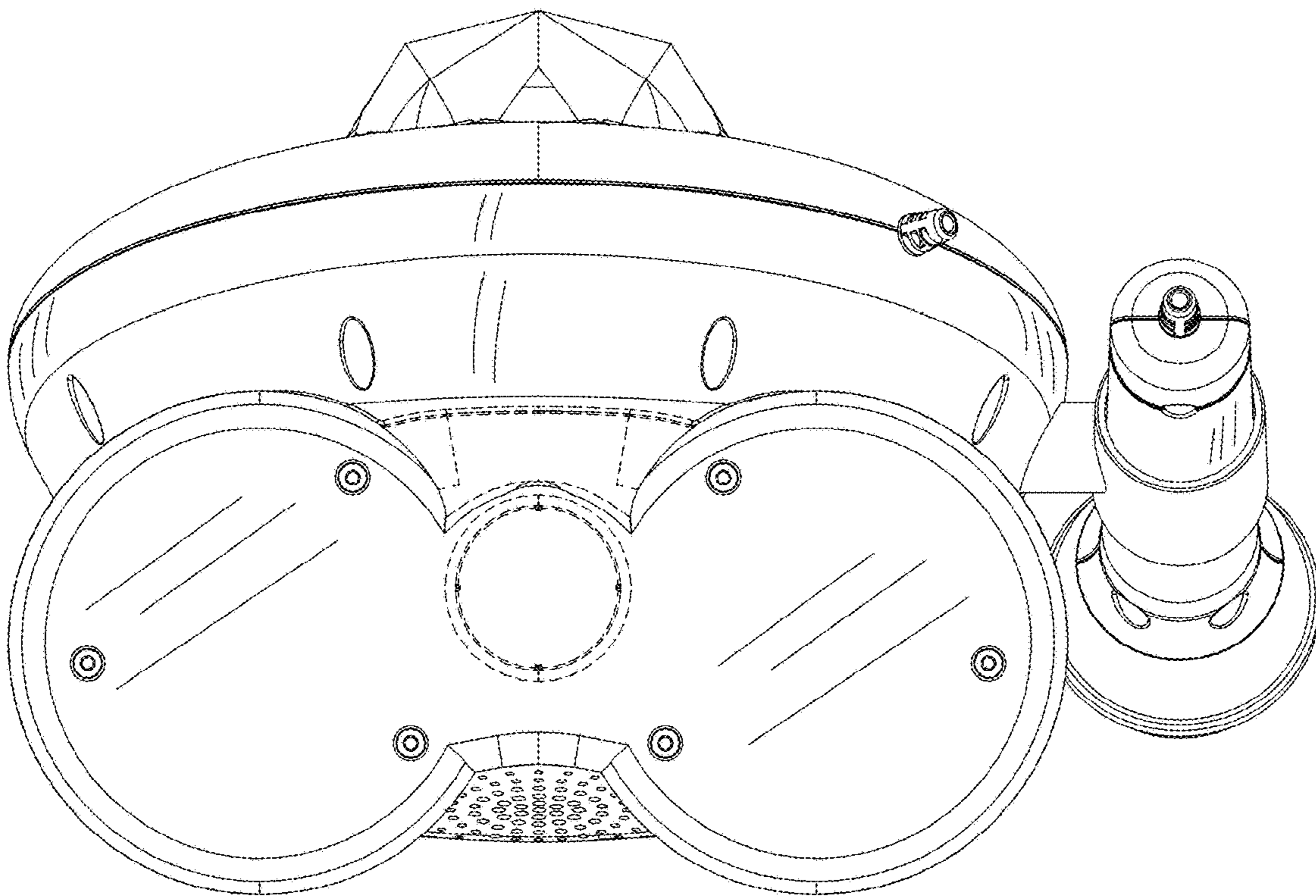


FIG. 6

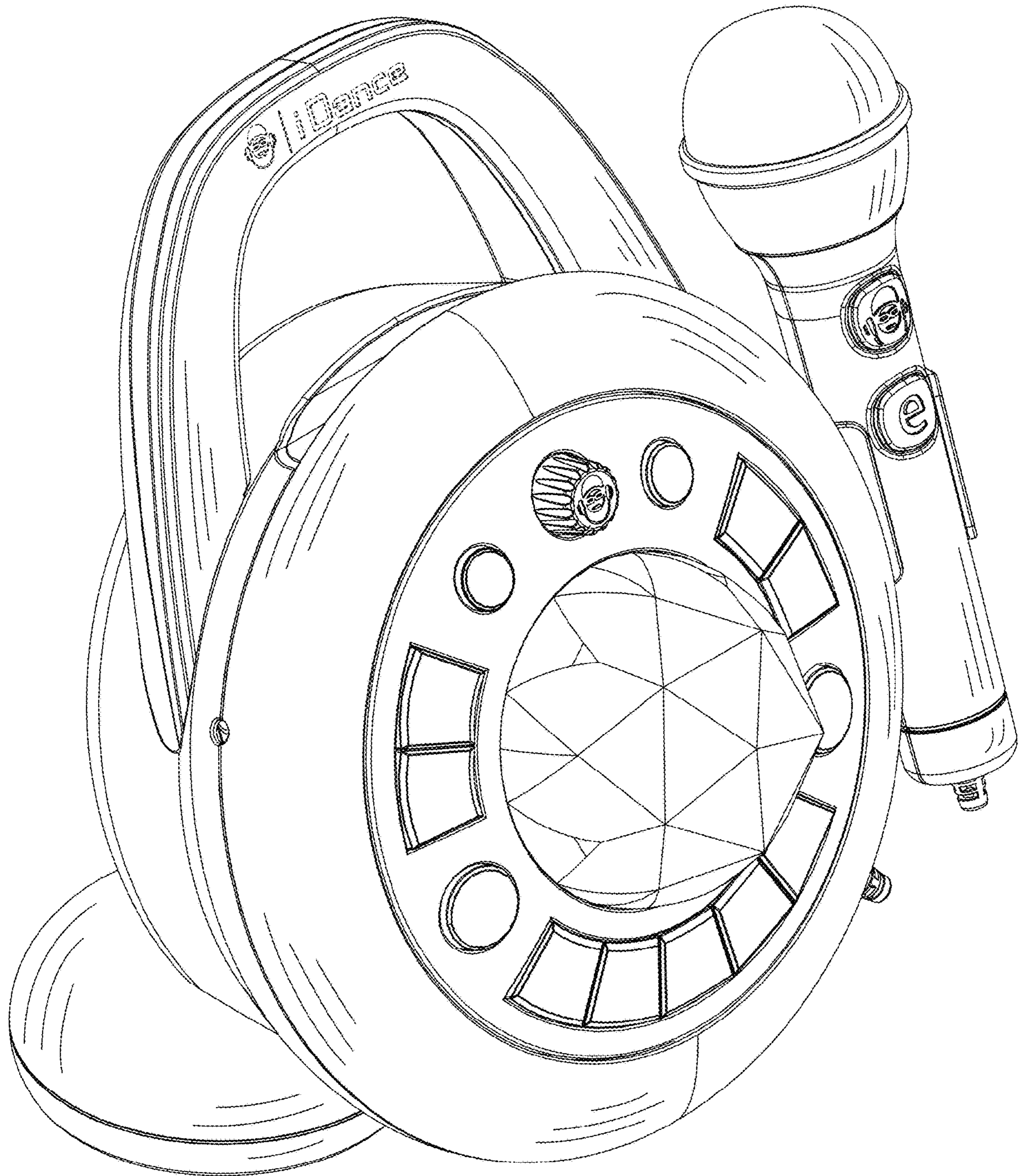


FIG. 7



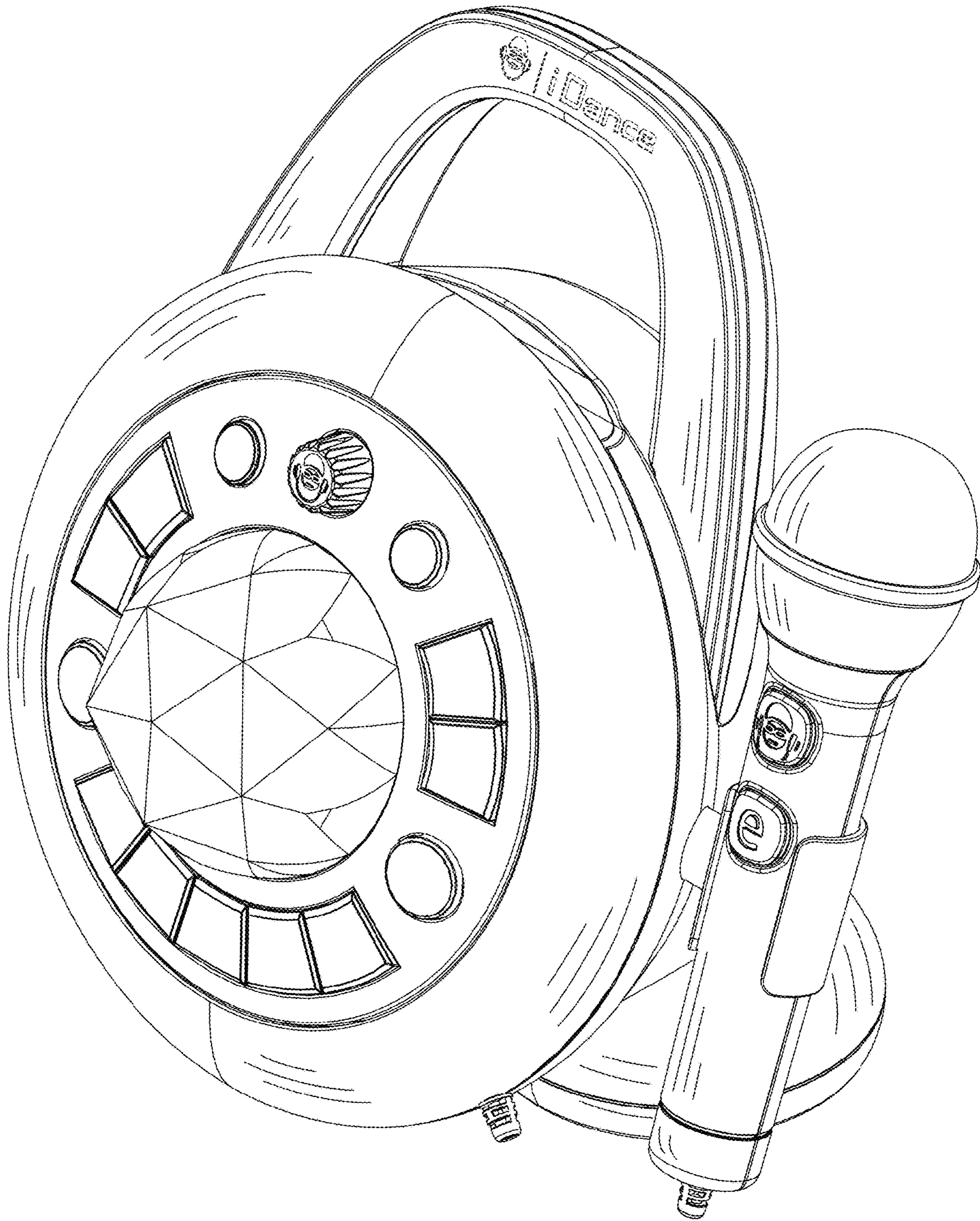


FIG. 8