



US00D838731S

(12) **United States Design Patent**
Pillalamarri et al.

(10) **Patent No.:** **US D838,731 S**
(45) **Date of Patent:** **** Jan. 22, 2019**

(54) **DISPLAY SCREEN WITH A GRAPHICAL USER INTERFACE**

(71) Applicant: **INSULET CORPORATION**, Billerica, MA (US)

(72) Inventors: **Sandhya Pillalamarri**, Methuen, MA (US); **Jorge Borges**, Billerica, MA (US); **Peter Syromiatnikov**, Billerica, MA (US)

(73) Assignee: **INSULET CORPORATION**, Billerica, MA (US)

(**) Term: **15 Years**

(21) Appl. No.: **29/658,907**

(22) Filed: **Aug. 3, 2018**

Related U.S. Application Data

(62) Division of application No. 29/606,873, filed on Jun. 8, 2017, now Pat. No. Des. 826,957.

(51) **LOC (11) Cl.** **14-04**

(52) **U.S. Cl.**
USPC **D14/485**

(58) **Field of Classification Search**
USPC D14/485-495; 345/1.1, 1.2, 2.1-2.3, 3.1, 345/902; 715/763, 810, 836, 837, 846, 715/847, 977

CPC G06F 3/048; G06F 3/0481; G06F 3/04812; G06F 3/04817; G06F 3/0482; G06F 3/0483; G06F 3/0484; G06F 3/04847; G06F 3/0485; G06F 3/04855; G06F 3/04886; G06Q 30/00; H03J 1/00; H03J 1/0008; H03J 1/0016; H03J 1/0025; H04N 5/00; H04N 5/08; H04N 5/14; H04N 5/222; H04N 5/225; H04N 5/232; H04N 5/445; H04N 5/44543; H04N 5/45; H04N 2005/44517; H04N 2005/44521; H04N 2005/44526; H04N 2005/4453; H04N 2005/44534; H04N 2005/44539; H04N 2005/44547; H04N 2005/44556;

H04N 2005/4456; H04N 2005/44565; H04N 2005/44569; H04N 2005/44573; H04N 21/00; H04N 21/234; H04N 21/431; H04N 21/4312; H04N 21/4314; H04N 21/4316

See application file for complete search history.

(56) **References Cited**

U.S. PATENT DOCUMENTS

D740,301 S * 10/2015 Soegiono G06F 3/04817 D14/485
D761,812 S * 7/2016 Motamedi D14/485
D767,586 S * 9/2016 Kwon D14/485
D781,879 S * 3/2017 Butcher D14/485

(Continued)

OTHER PUBLICATIONS

“Vector—Vector Illustration of Preloader / Buffer Shapes, or Dials with Knobs.” 123rf.com. Date not available. Accessed Oct. 25, 2018. Available online at URL: <https://www.123rf.com/photo_37292689_stock-vector-vector-illustration-of-preloader-buffer-shapes-or-dials-with-knobs.html> (Year: N/A).*

Primary Examiner — Cathron C Brooks
Assistant Examiner — Christian P. McLean

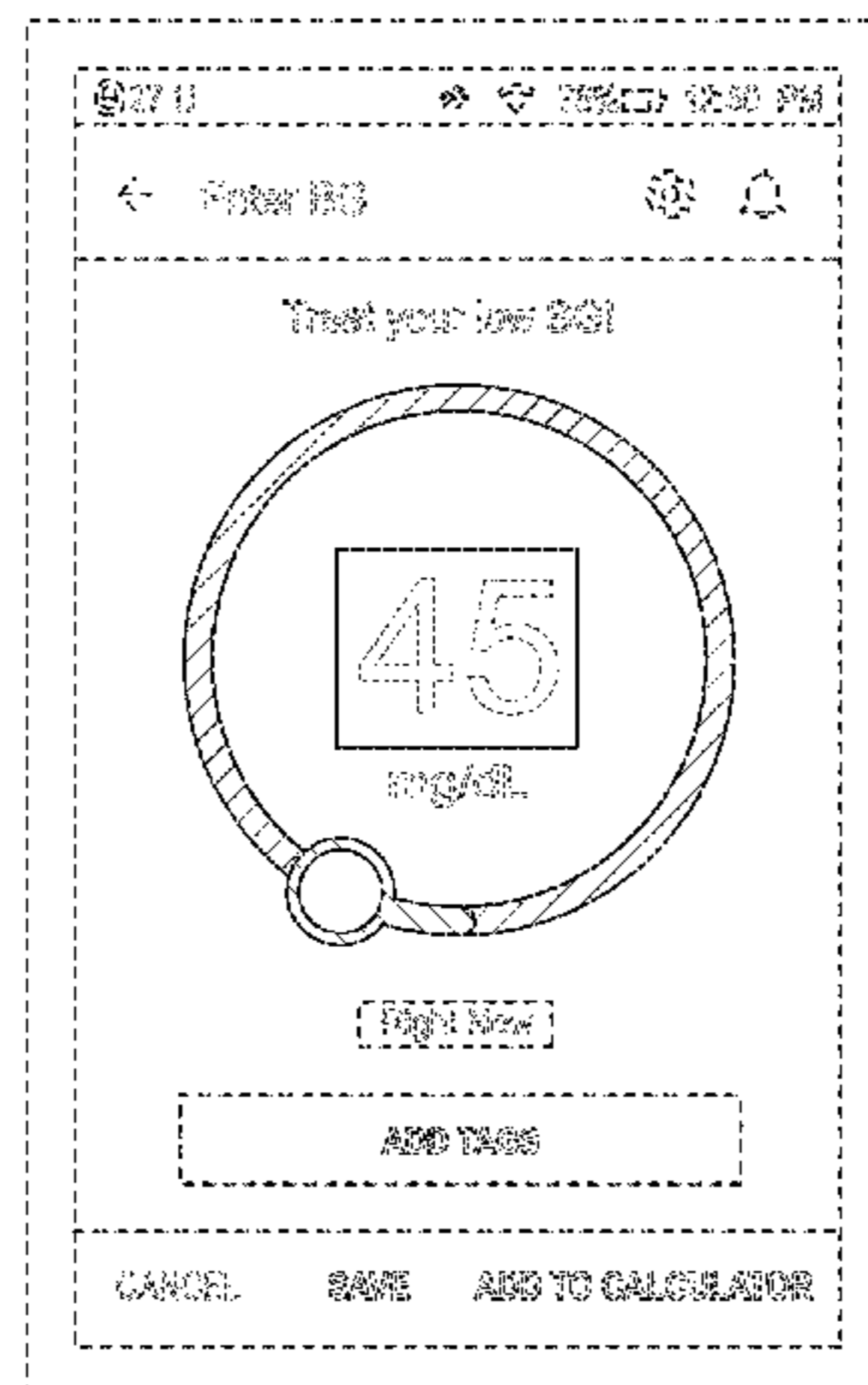
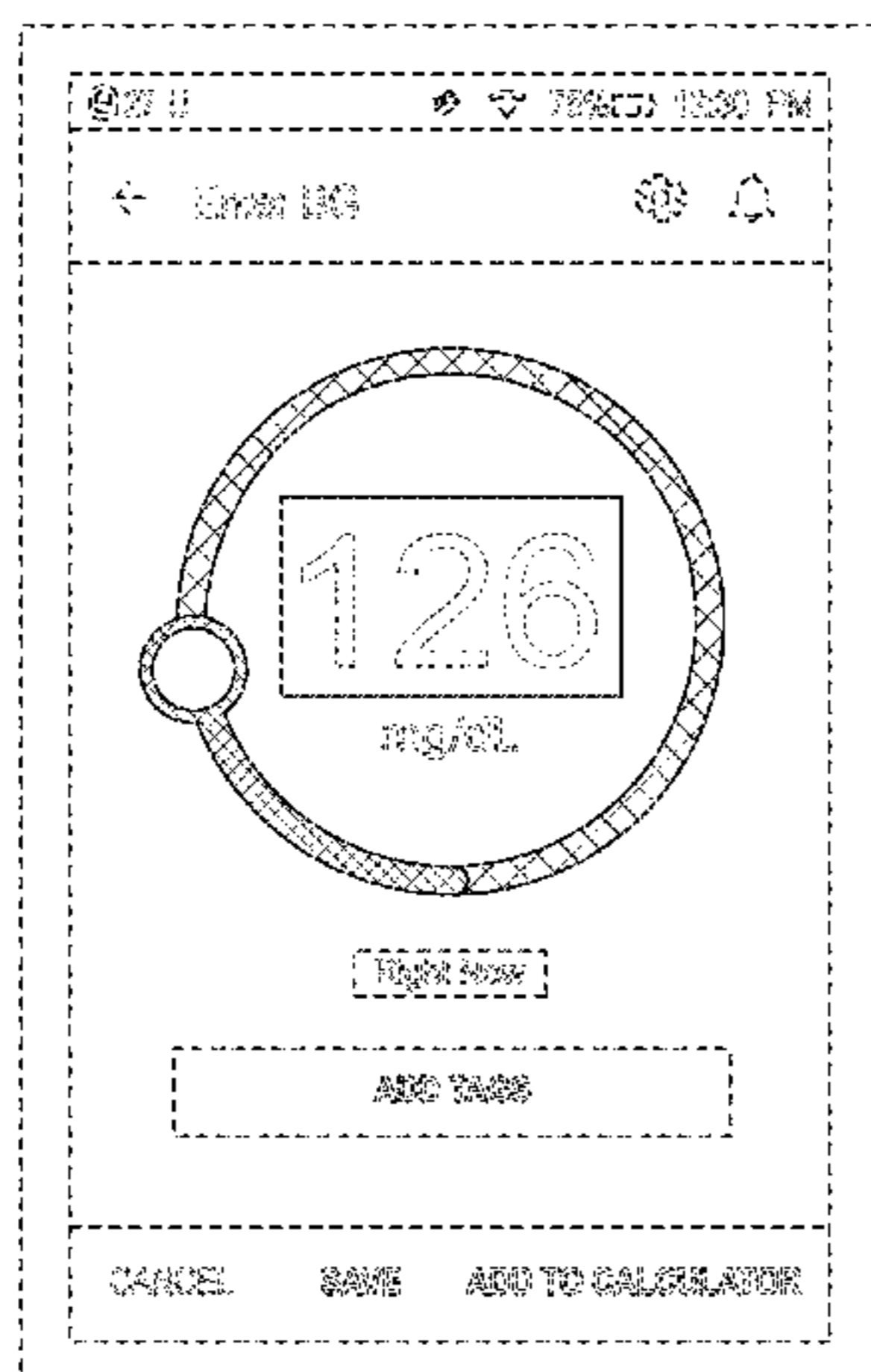
(57) **CLAIM**

The ornamental design for a display screen with a graphical user interface, as shown and described.

DESCRIPTION

FIG. 1 is a front view of a display screen with a graphical user interface showing our new design; and, FIG. 2 is a front view of a second embodiment thereof. The outermost broken line illustrates a display screen and forms no part of the claimed design. The remaining broken lines illustrate portions of the graphical user interface that form no part of the claimed design.

1 Claim, 2 Drawing Sheets



(56)

References Cited

U.S. PATENT DOCUMENTS

D783,672	S *	4/2017	Rajasankar	D14/488
D786,278	S *	5/2017	Motamedi	D14/485
D786,898	S *	5/2017	Hall	D14/486
D795,900	S *	8/2017	Bischoff	D14/486
D795,906	S *	8/2017	Butrick	D14/486
D795,927	S *	8/2017	Bischoff	D14/488
D797,763	S *	9/2017	Kim	D14/485
D798,311	S *	9/2017	Golden	F24F 11/30
				D14/485
D799,536	S *	10/2017	Eder	D14/487
D800,769	S *	10/2017	Hennessy	D14/489
D802,008	S *	11/2017	Zhang	D14/487
D804,502	S *	12/2017	Amini	D14/486
D807,376	S *	1/2018	Mizono	D14/485
D808,974	S *	1/2018	Chiappone	D14/485
D808,983	S *	1/2018	Narinedhat	D14/485
D816,090	S *	4/2018	Stonecipher	D14/485
D826,957	S *	8/2018	Pillalamarri	D14/485
D828,381	S *	9/2018	Lee	D14/487
2015/0193585	A1 *	7/2015	Sunna	G16H 40/63
				345/173
2015/0205509	A1 *	7/2015	Scriven	G04G 21/08
				715/834
2015/0301691	A1 *	10/2015	Qin	G11B 27/105
				715/772

* cited by examiner

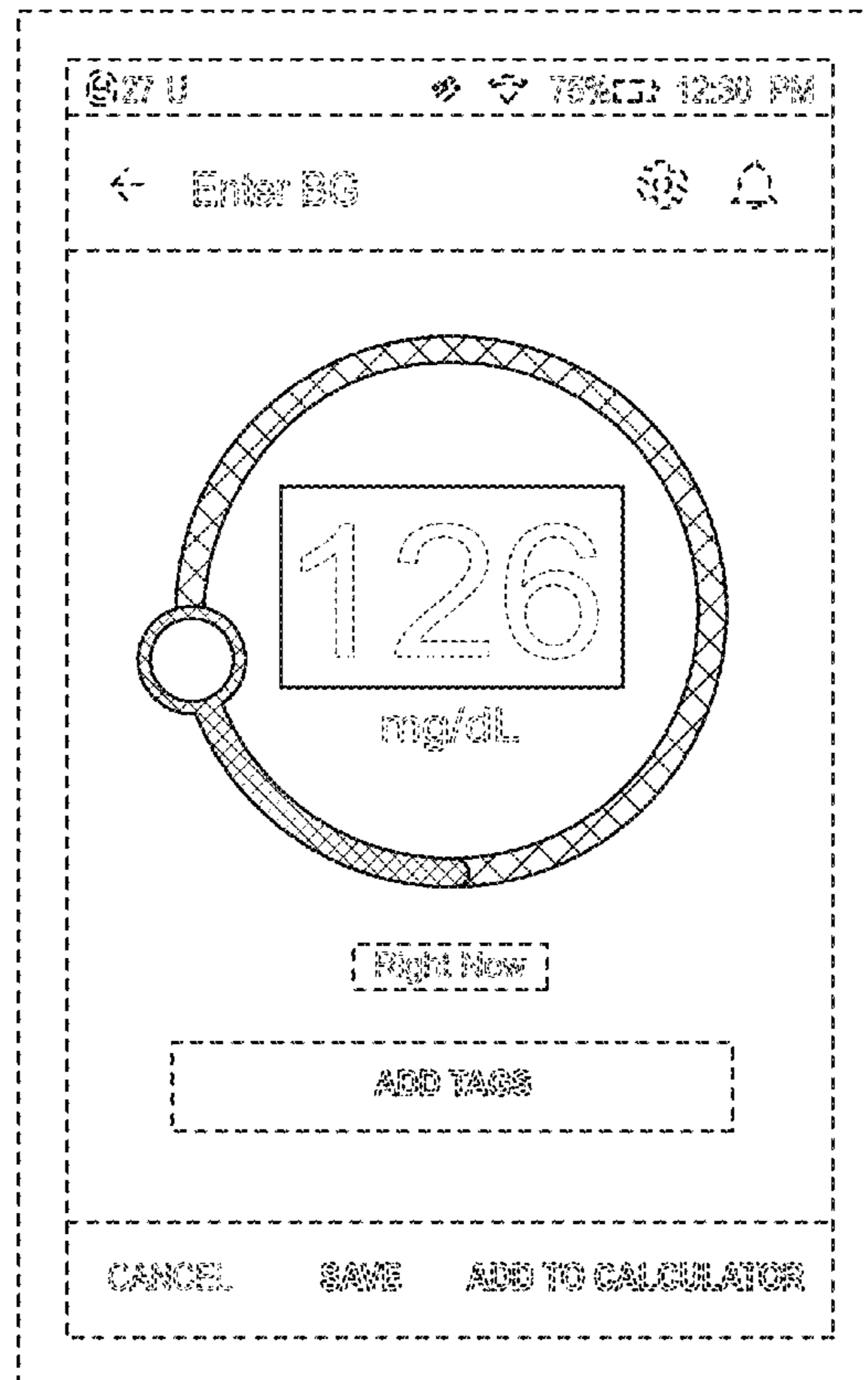


FIG. 1

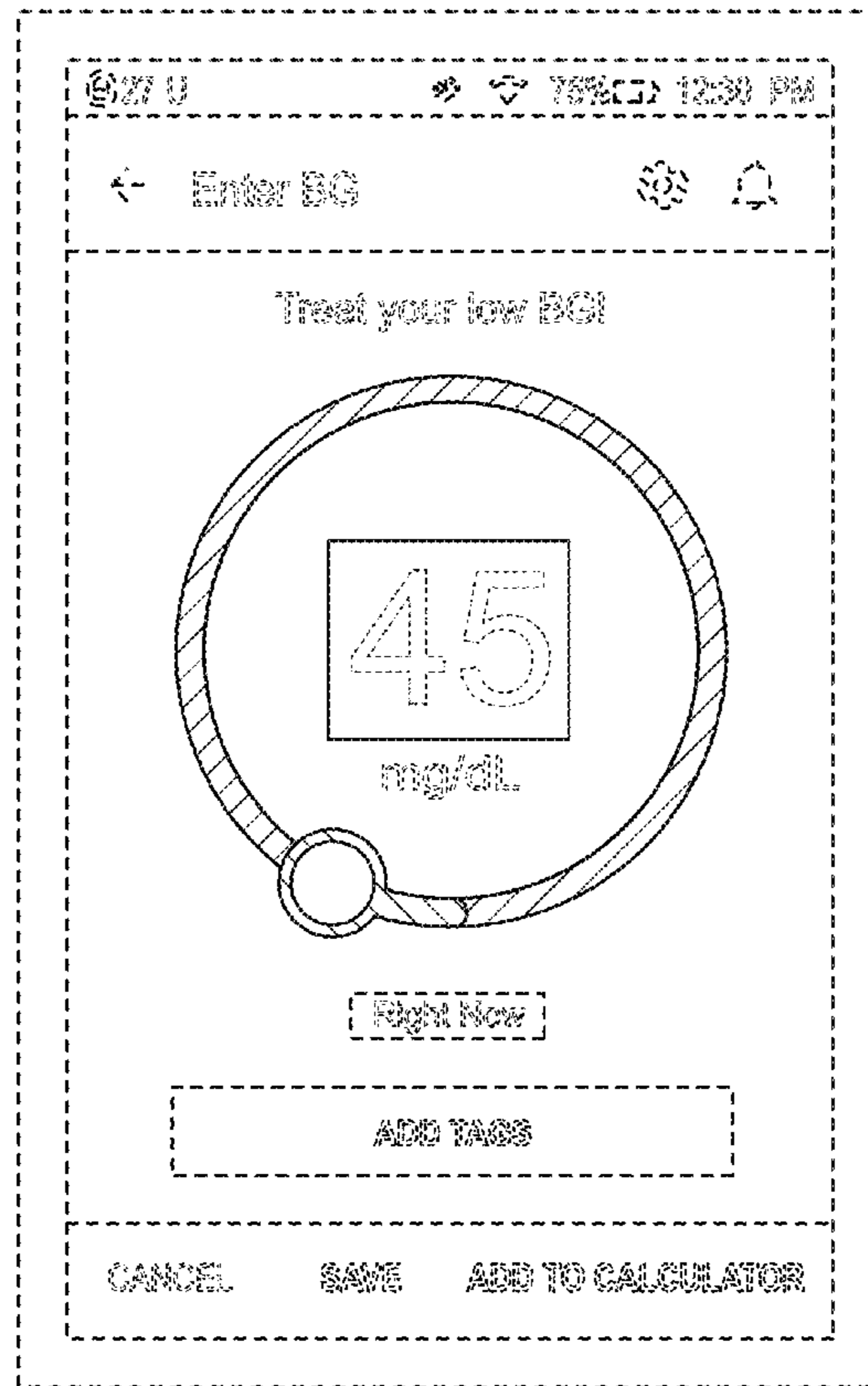


FIG. 2