



US00D838727S

(12) **United States Design Patent**
Griswold

(10) **Patent No.:** **US D838,727 S**

(45) **Date of Patent:** **** Jan. 22, 2019**

(54) **DISPLAY SCREEN OR PORTION THEREOF WITH ANIMATED GRAPHICAL USER INTERFACE**

(71) Applicant: **Case Western Reserve University**,
Cleveland, OH (US)

(72) Inventor: **Mark A. Griswold**, Shaker Heights,
OH (US)

(73) Assignee: **Case Western Reserve University**,
Cleveland, OH (US)

(**) Term: **15 Years**

(21) Appl. No.: **29/601,332**

(22) Filed: **Apr. 21, 2017**

(51) **LOC (11) Cl.** **14-04**

(52) **U.S. Cl.**
USPC **D14/485**

(58) **Field of Classification Search**
USPC D14/485-495
CPC G06F 17/211; G06F 17/212; G06F 3/1251;
G06F 3/0481; G06F 2203/04807
See application file for complete search history.

(56) **References Cited**

U.S. PATENT DOCUMENTS

6,334,211	B1 *	12/2001	Kojima	G06F 8/34 717/128
D580,947	S *	11/2008	Onai	D14/486
7,516,416	B2 *	4/2009	Viswanathan	A61B 6/548 715/769
D616,503	S *	5/2010	Scatterday	D20/28
D646,837	S *	10/2011	Yu	D26/104
8,585,598	B2 *	11/2013	Razzaque	A61B 18/1477 600/439
8,750,568	B2 *	6/2014	Frank	G06K 9/3216 382/103
8,849,382	B2 *	9/2014	Cox	A61B 5/06 600/509

D716,832	S *	11/2014	Schoger	D14/486
D753,150	S *	4/2016	Chmiel	D14/485
D755,205	S *	5/2016	Sanderson	D14/485
D758,403	S *	6/2016	Lee	D14/486
D761,313	S *	7/2016	Quinn	D14/492
D761,808	S *	7/2016	Quinn	D14/485
D781,314	S *	3/2017	Astrom	D14/486
D785,656	S *	5/2017	Bramer	D14/486

(Continued)

Primary Examiner — Darlington Ly

Assistant Examiner — Daniel J Domino

(74) *Attorney, Agent, or Firm* — Quarles & Brady LLP

(57) **CLAIM**

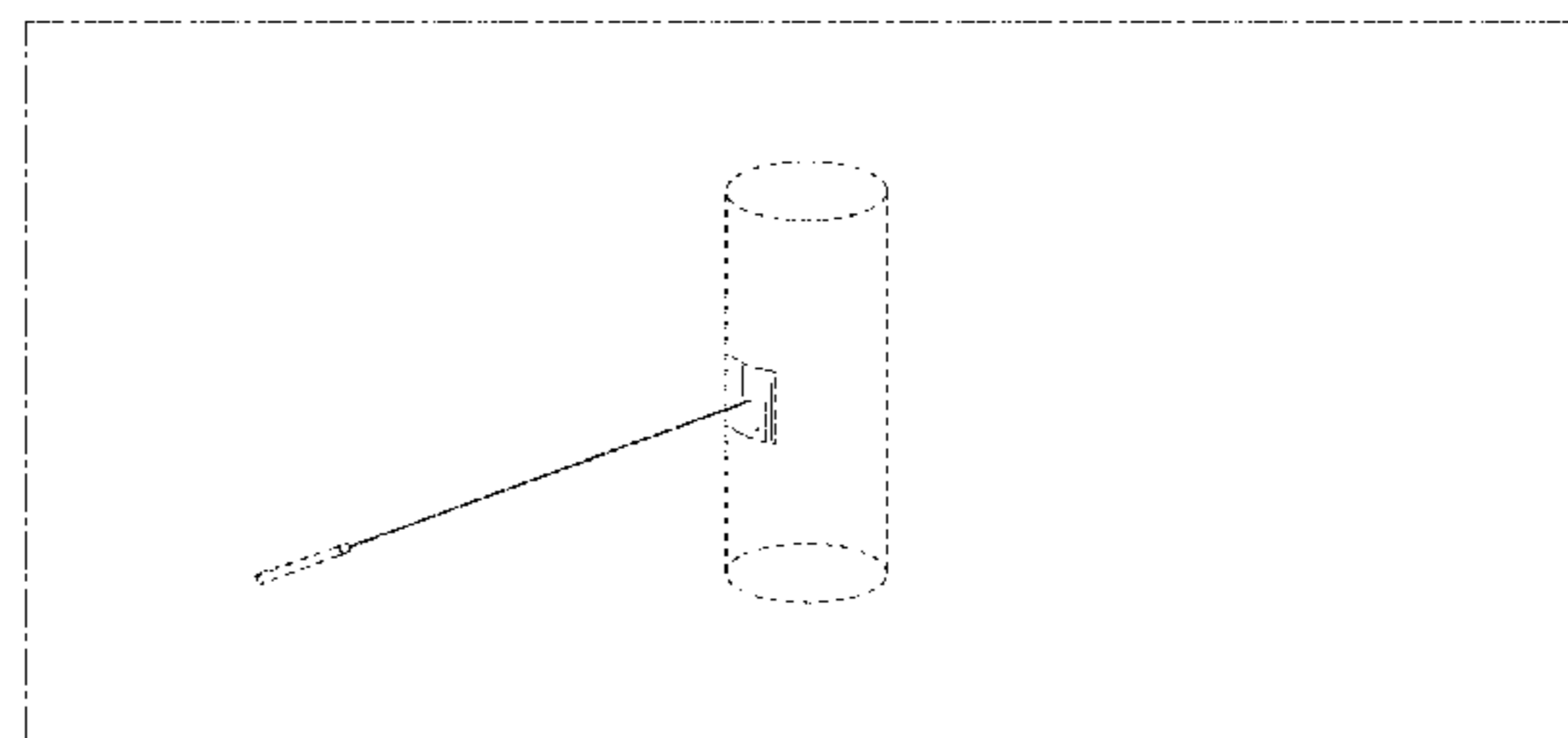
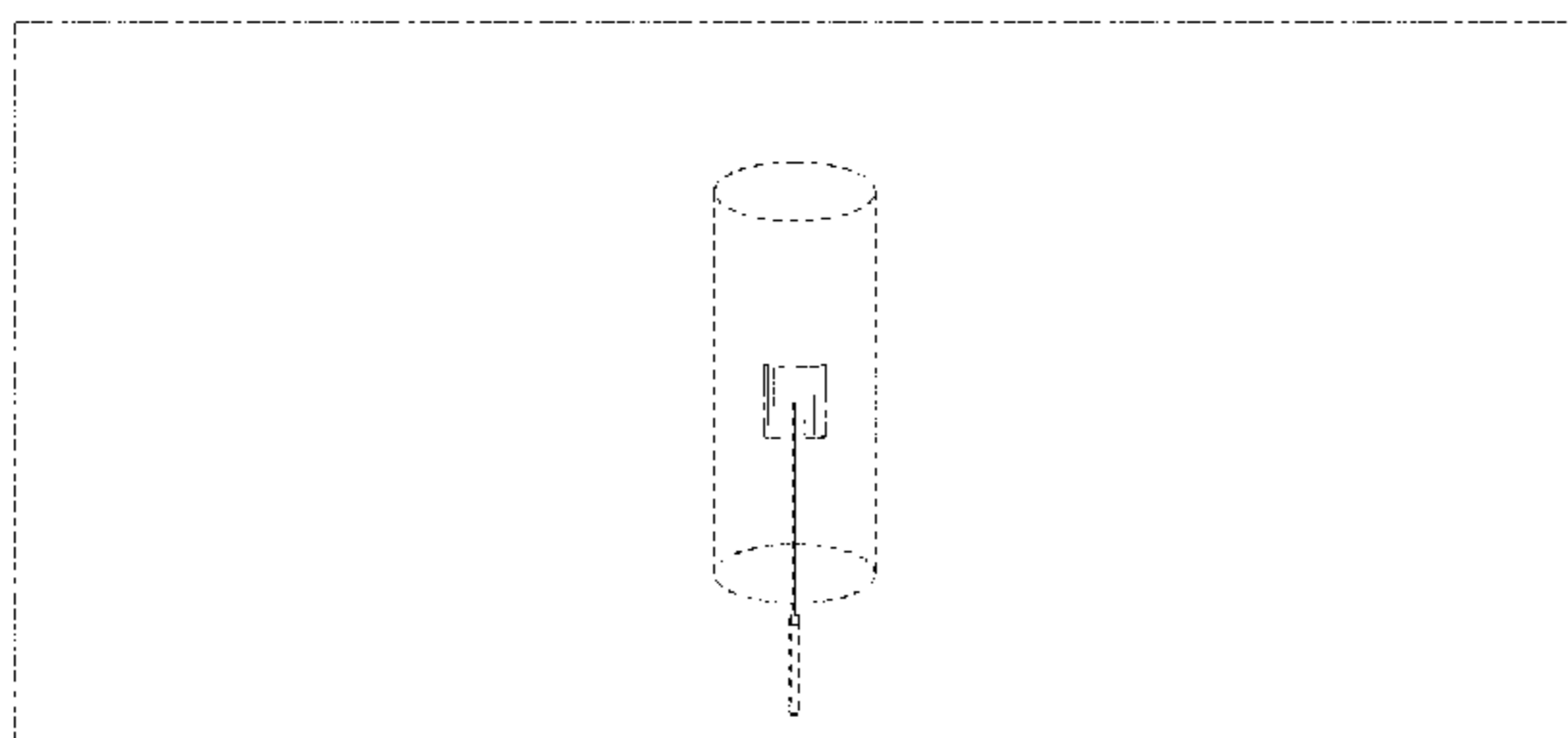
The ornamental design for a display screen or portion thereof with animated graphical user interface, as shown and described.

DESCRIPTION

FIG. 1 is the first image in a sequence for a display screen or portion thereof with animated graphical user interface showing my new design;
FIG. 2 is the second image thereof;
FIG. 3 is the third image thereof;
FIG. 4 is the fourth image thereof;
FIG. 5 is the fifth image thereof;
FIG. 6 is the sixth image thereof;
FIG. 7 is a seventh image thereof; and,
FIG. 8 is an eighth image thereof.

The appearance of the animated graphical user interface transitions sequentially between the images shown in FIGS. 1-8. The process or period in which one image transitions to another forms no part of the claimed design. The dot-dash broken lines showing a display screen or portion thereof and elements of the graphical user interface, as well as the regular broken lines showing elements of the graphical user interface illustrate portions of the article. None of the broken lines form part of the claimed design.

1 Claim, 4 Drawing Sheets



(56)

References Cited

U.S. PATENT DOCUMENTS

D790,581 S * 6/2017 Chaudhri D14/486
D791,144 S * 7/2017 Li D14/485
D791,146 S * 7/2017 Su D14/485
D791,805 S * 7/2017 Segars D14/486
D792,894 S * 7/2017 Dzijnd D14/486
D819,074 S * 5/2018 Chow D14/489
2008/0036776 A1* 2/2008 Niles G06F 3/04815
345/474
2009/0177111 A1* 7/2009 Miller A61B 5/053
600/547
2009/0243957 A1* 10/2009 Ni G06F 3/04815
345/1.1
2010/0229130 A1* 9/2010 Edge G06F 3/04883
715/863
2015/0313547 A1* 11/2015 Quinn A61B 5/6885
600/587
2017/0212967 A1* 7/2017 Dexter G06F 17/5004

* cited by examiner

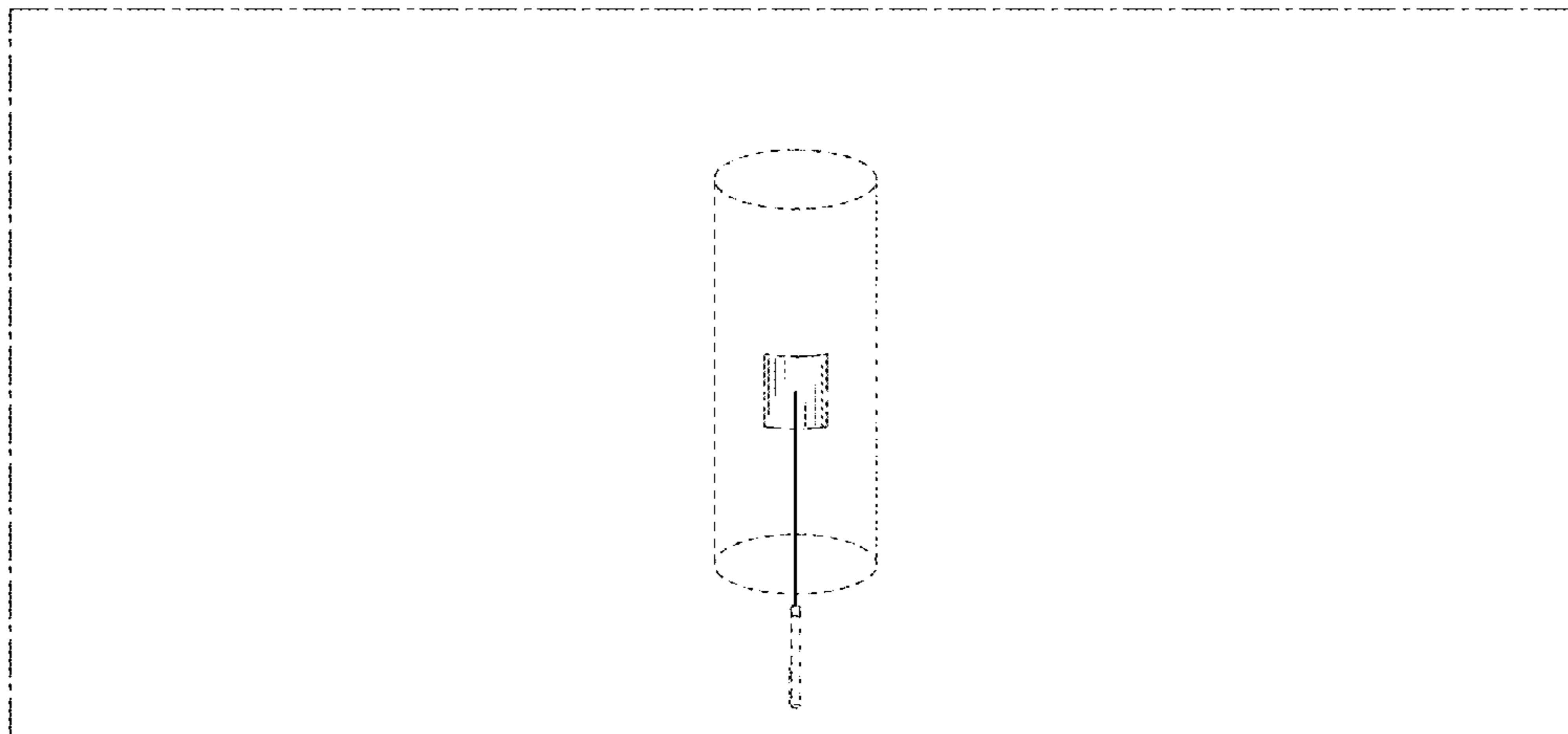


FIG. 1

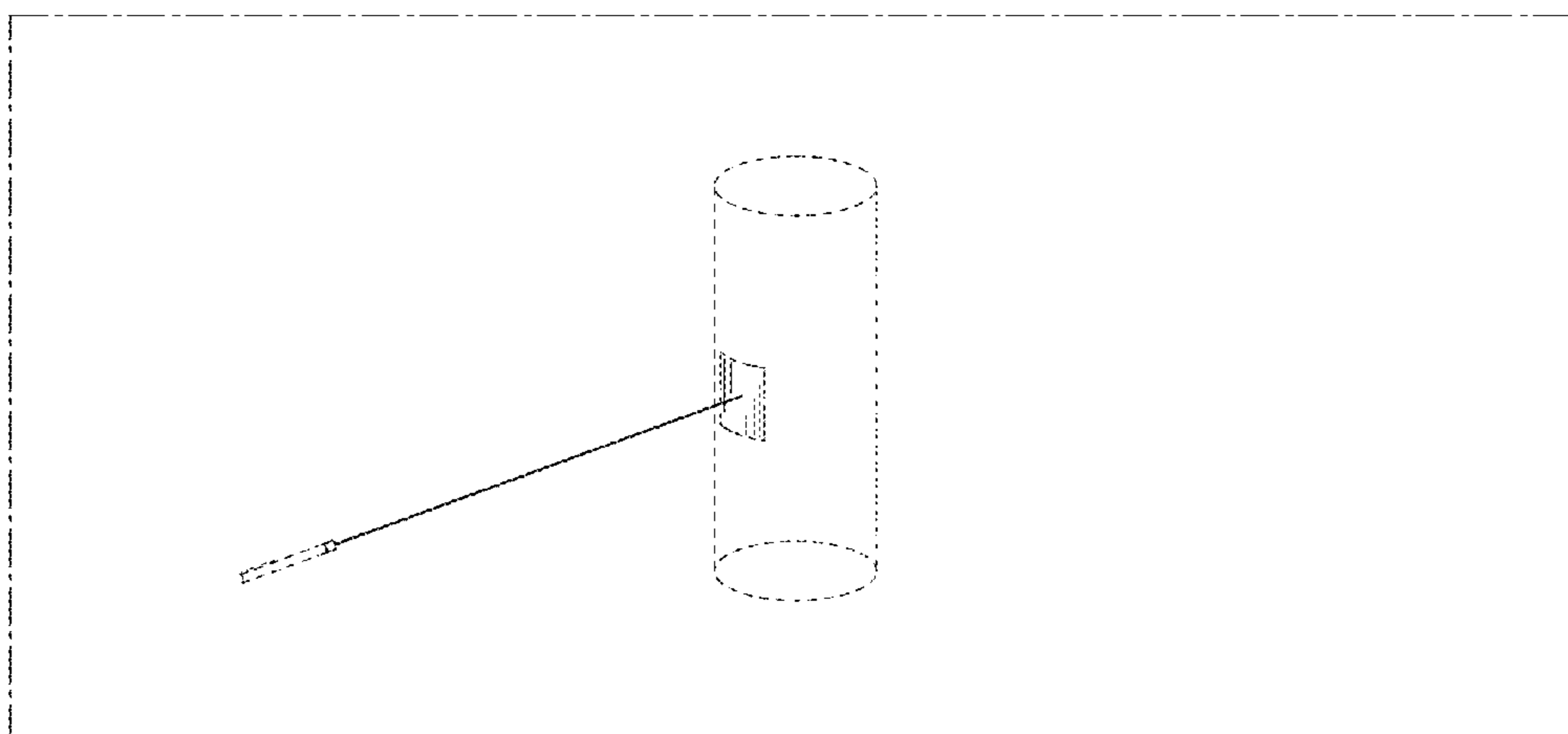


FIG. 2

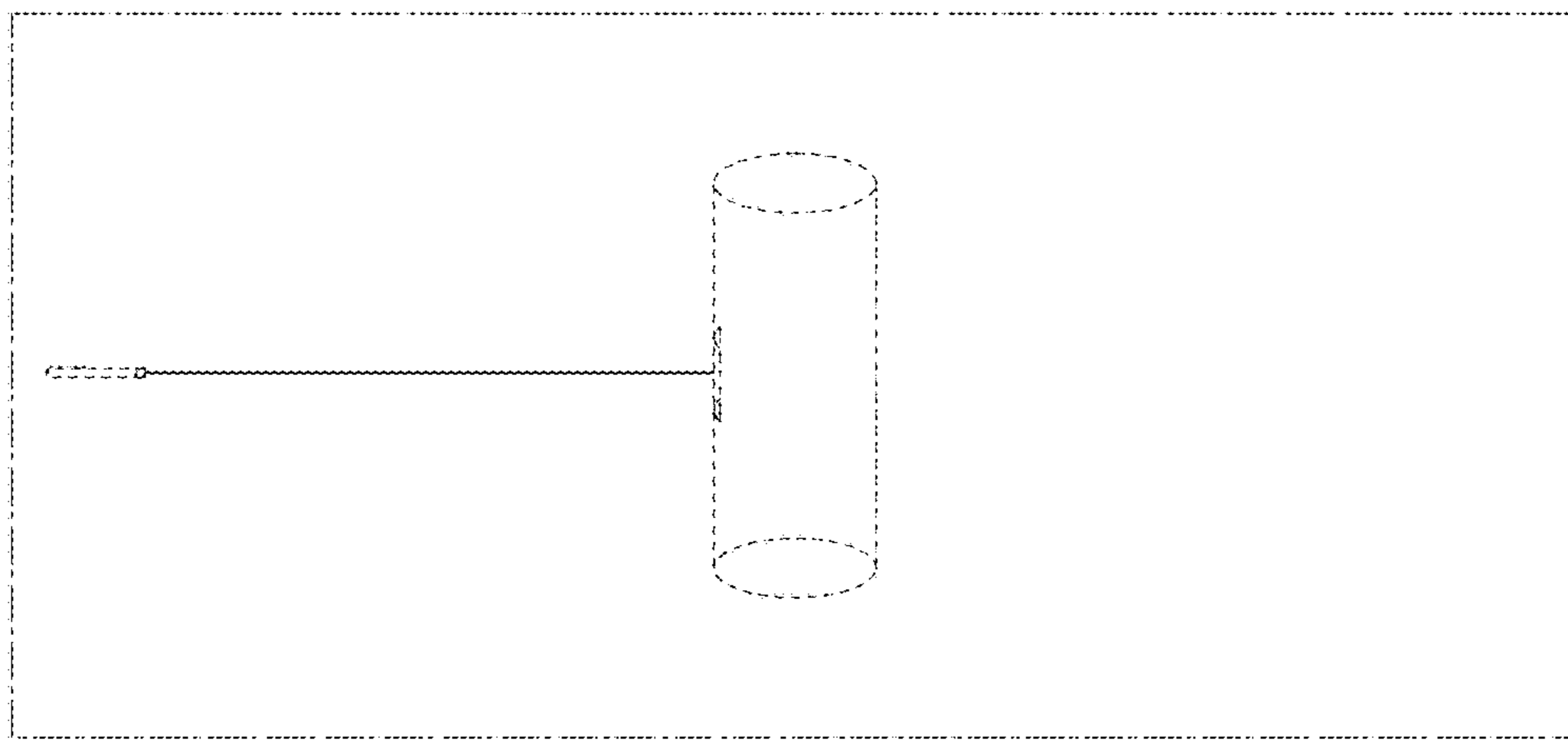


FIG. 3

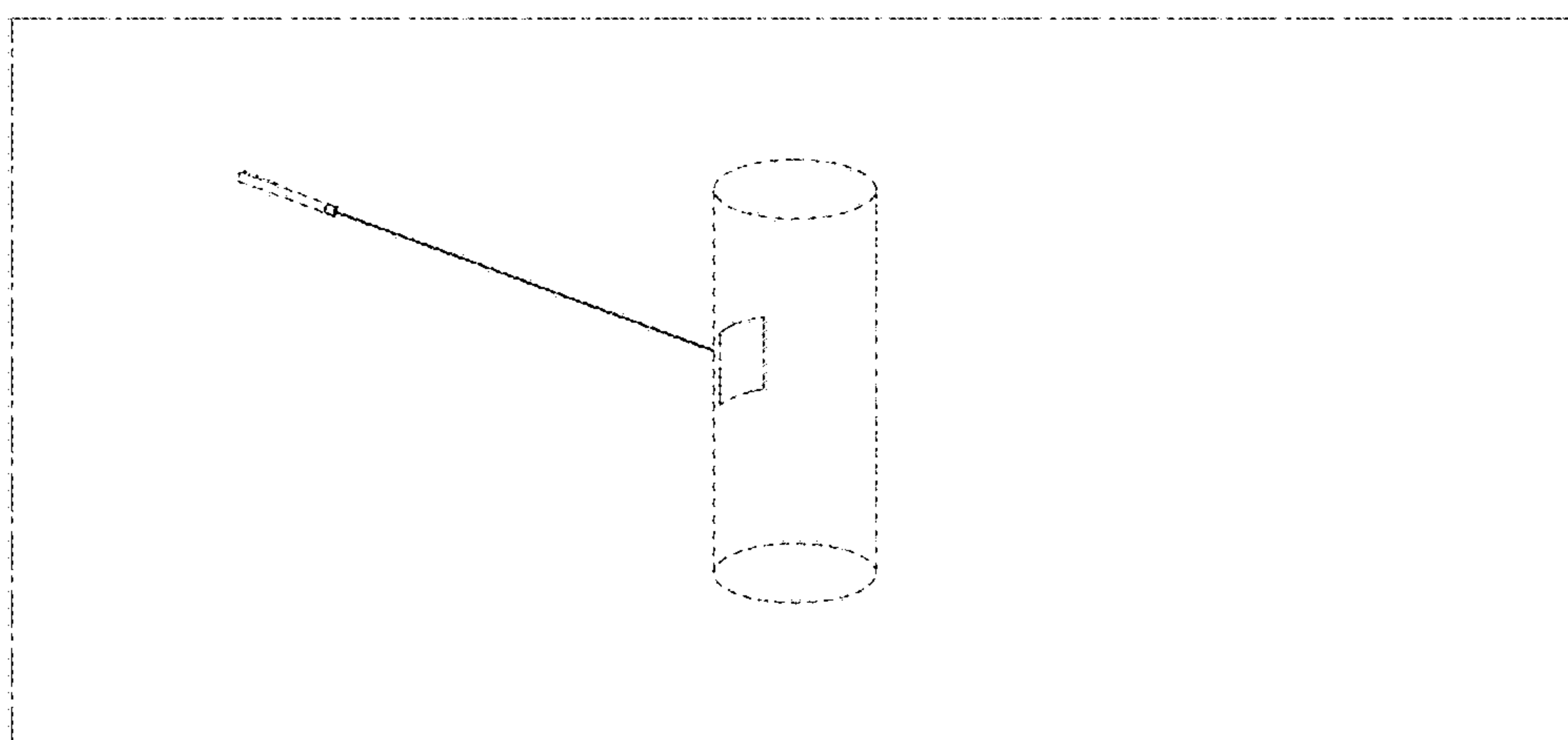


FIG. 4

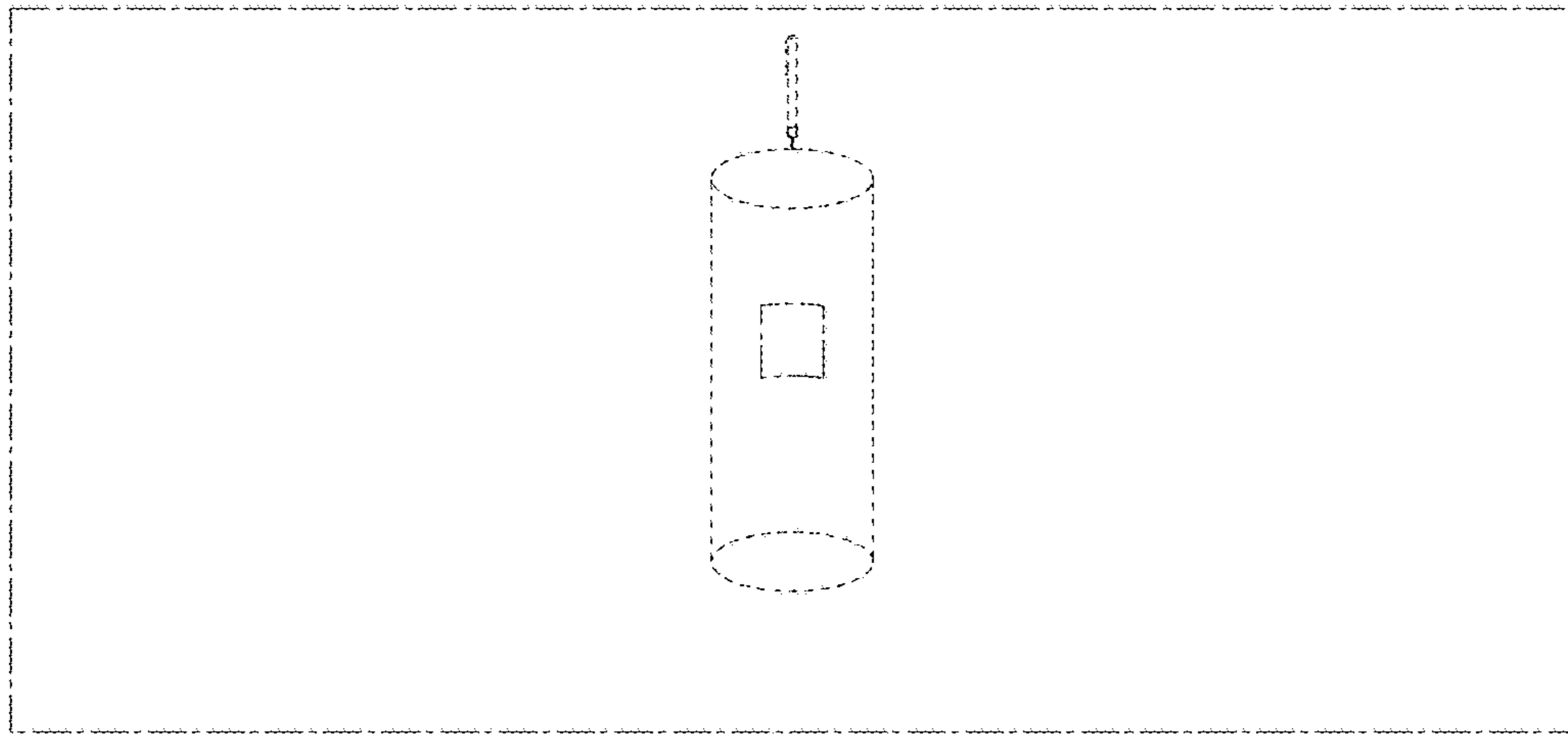


FIG. 5

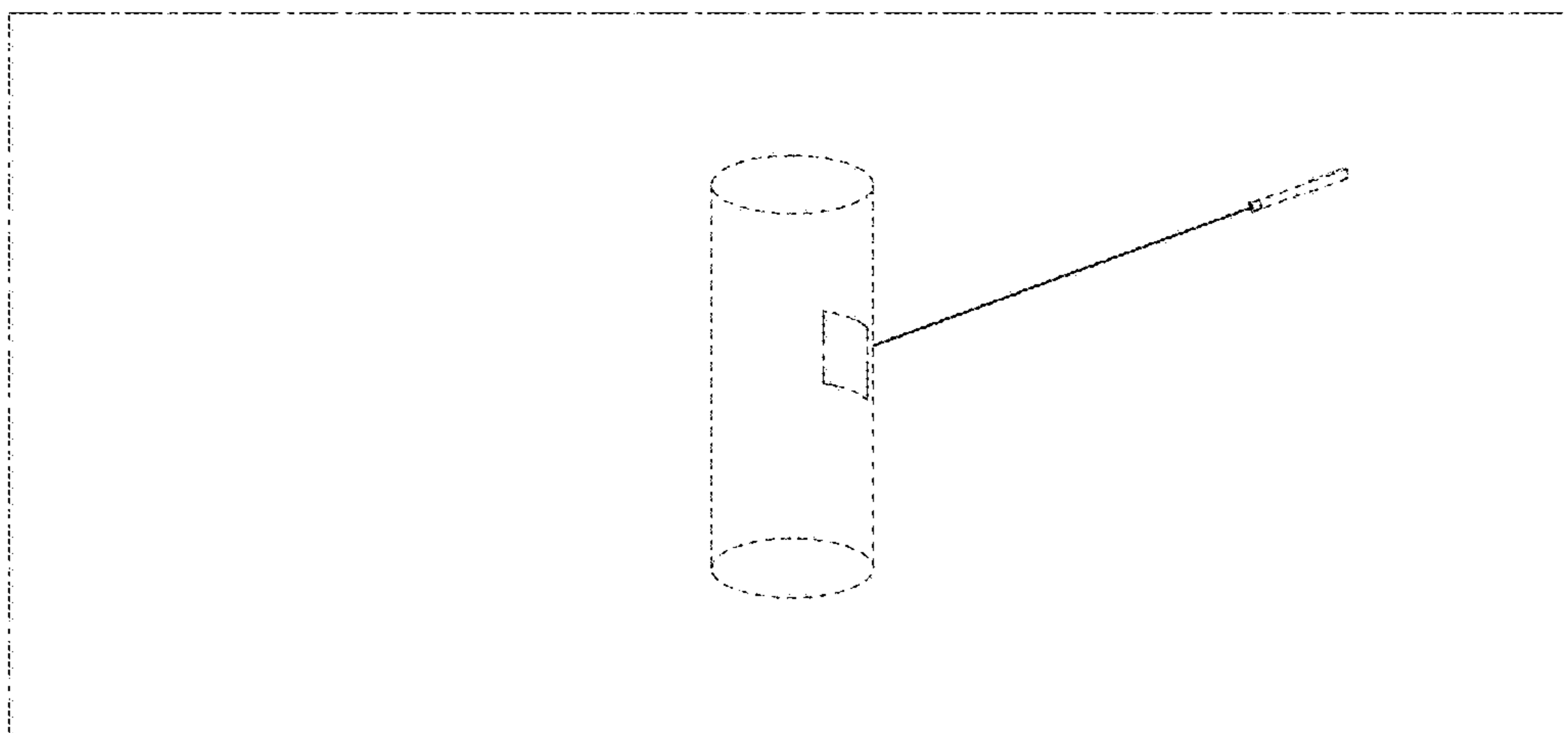


FIG. 6

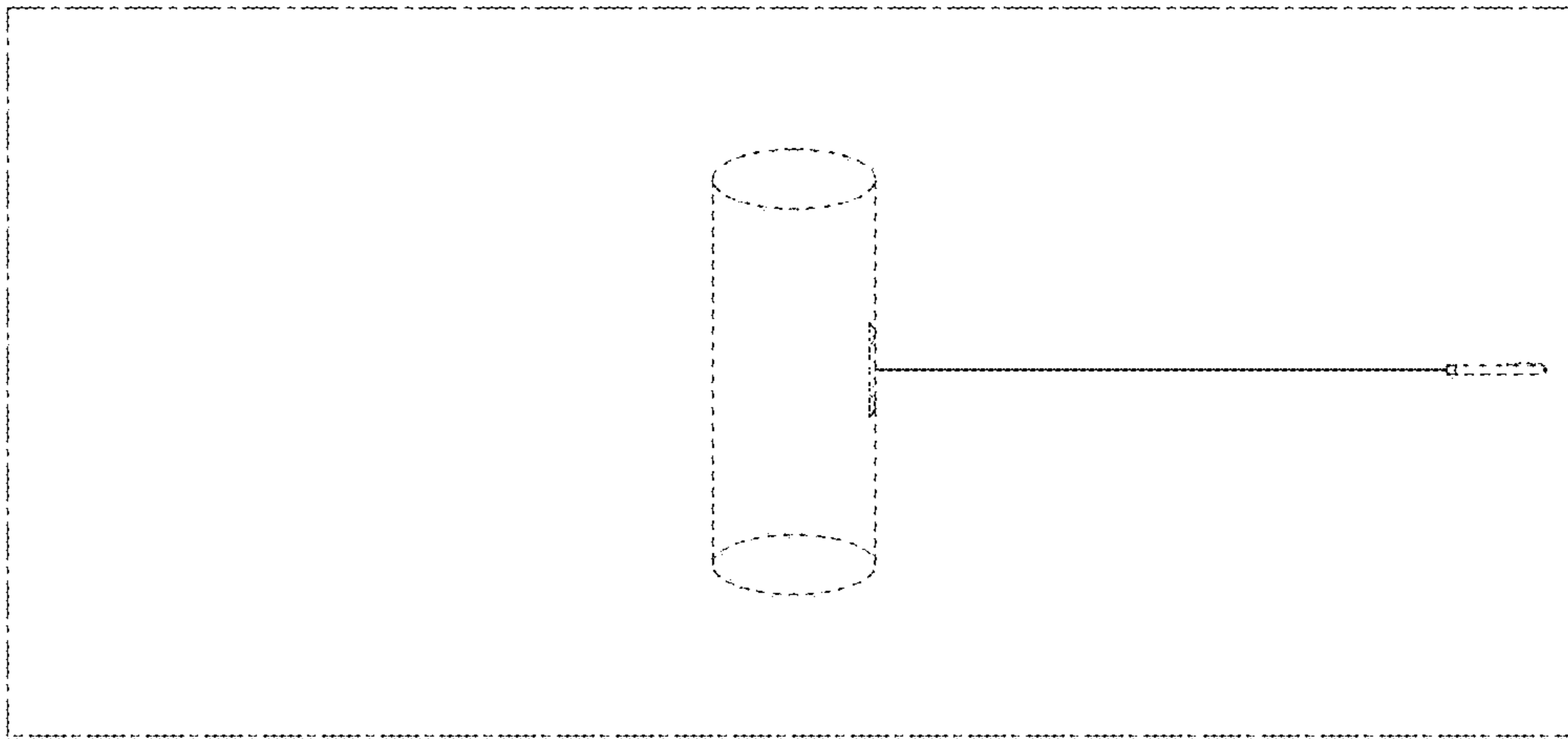


FIG. 7

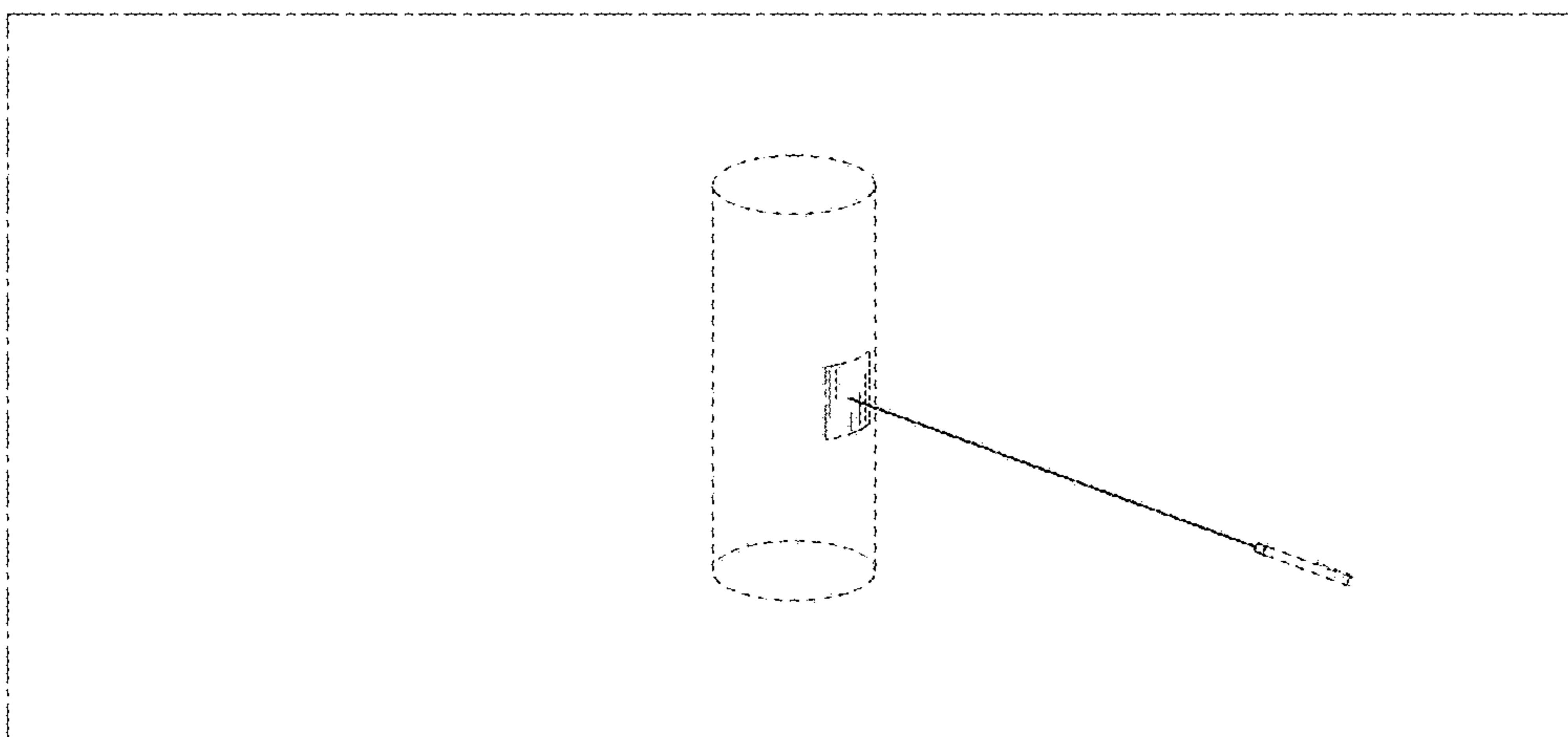


FIG. 8