



US00D838726S

(12) **United States Design Patent**
Griswold

(10) **Patent No.:** **US D838,726 S**
(45) **Date of Patent:** **** Jan. 22, 2019**

(54) **DISPLAY SCREEN OR PORTION THEREOF WITH ANIMATED GRAPHICAL USER INTERFACE**

(71) Applicant: **Case Western Reserve University**,
Cleveland, OH (US)

(72) Inventor: **Mark A. Griswold**, Shaker Heights,
OH (US)

(73) Assignee: **Case Western Reserve University**,
Cleveland, OH (US)

(**) Term: **15 Years**

(21) Appl. No.: **29/601,331**

(22) Filed: **Apr. 21, 2017**

(51) **LOC (11) Cl.** **14-04**

(52) **U.S. Cl.**
USPC **D14/485**

(58) **Field of Classification Search**
USPC D14/485-495
CPC G06F 17/211; G06F 17/212; G06F 3/1251;
G06F 3/0481; G06F 2203/04807
See application file for complete search history.

(56) **References Cited**

U.S. PATENT DOCUMENTS

5,870,092	A *	2/1999	Bedford-Roberts	G06F 3/0483
					345/173
D469,442	S *	1/2003	Bohlen, Jr.	D14/485
D479,531	S *	9/2003	Yanagida	D14/486
6,880,132	B2 *	4/2005	Uemura	G06F 3/04815
					707/E17.102
D519,515	S *	4/2006	Mugura	D14/485
D553,146	S *	10/2007	Byeon	D14/486

(Continued)

Primary Examiner — Darlington Ly
Assistant Examiner — Daniel J Domino

(74) *Attorney, Agent, or Firm* — Quarles & Brady LLP

(57) **CLAIM**

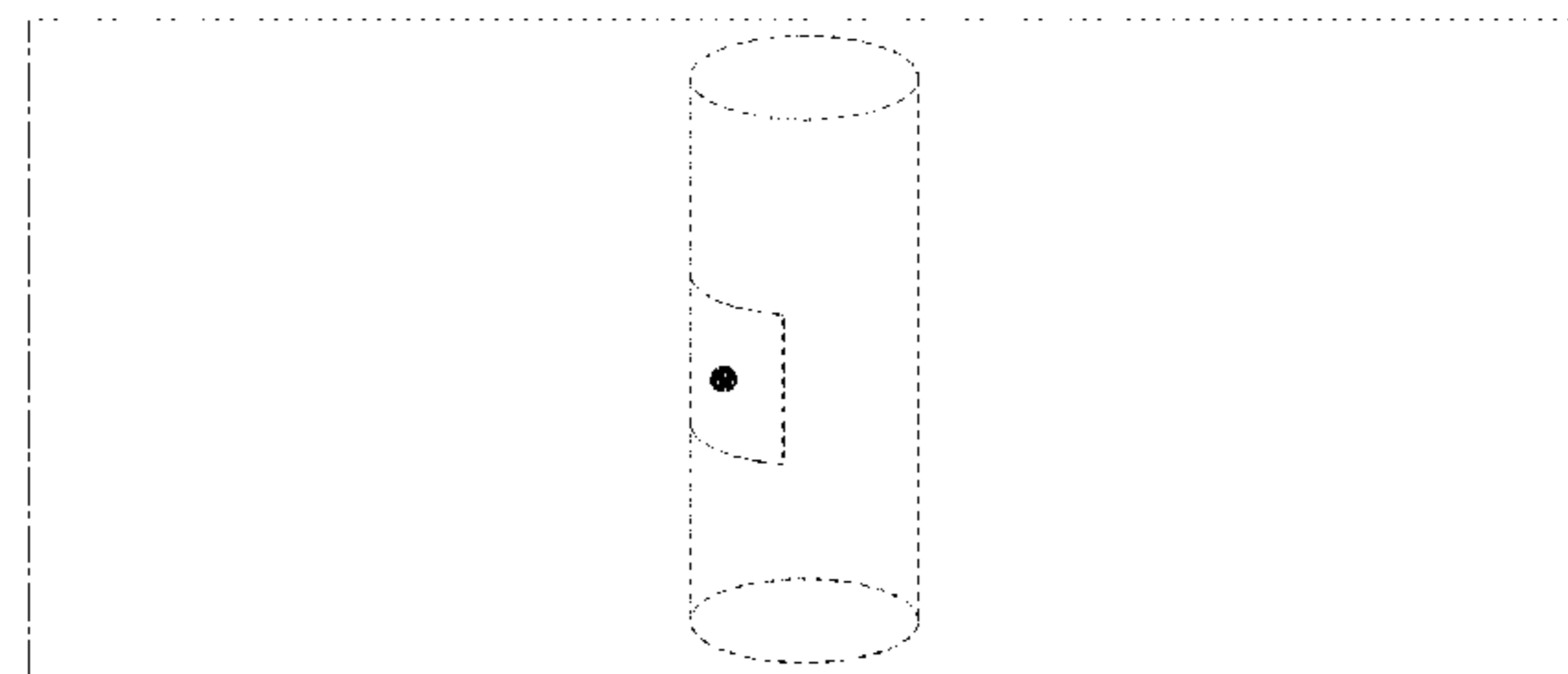
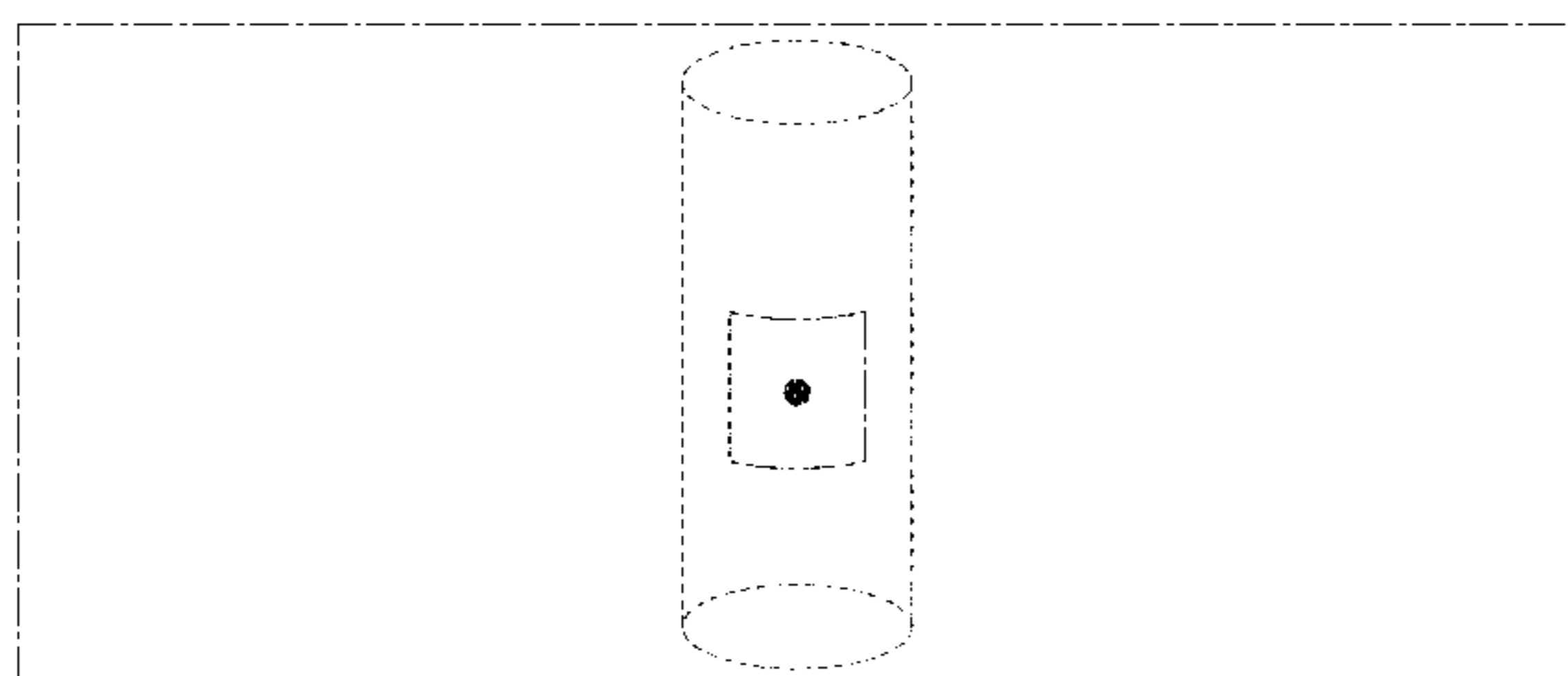
The ornamental design for a display screen or portion thereof with animated graphical user interface, as shown and described.

DESCRIPTION

FIG. 1 is a front view of a first image in a sequence for a display screen or portion thereof with animated graphical user interface showing my new design;
 FIG. 2 is a second image thereof;
 FIG. 3 is a third image thereof;
 FIG. 4 is a fourth image thereof;
 FIG. 5 is a fifth image thereof;
 FIG. 6 is a sixth image thereof;
 FIG. 7 is a seventh image thereof;
 FIG. 8 is an eighth image thereof;
 FIG. 9 is a second embodiment thereof, showing a front view of a first image in a sequence for a display screen or portion thereof with animated graphical user interface showing my new design;
 FIG. 10 is a second image thereof;
 FIG. 11 is a third image thereof;
 FIG. 12 is a fourth image thereof;
 FIG. 13 is a fifth image thereof;
 FIG. 14 is a sixth image thereof;
 FIG. 15 is a seventh image thereof; and,
 FIG. 16 is an eighth image thereof.

The appearance of the animated graphical user interface transitions sequentially between the images shown in FIGS. 1-8 in embodiment 1 and FIGS. 9-16 in embodiment 2. The process or period in which one image transitions to another forms no part of the claimed design. The dot-dash broken lines showing a display screen or portion thereof and elements of the graphical user interface, as well as the regular broken lines showing elements of the graphical user interface illustrate portions of the article. No subject matter shown in broken lines form part of the claimed design.

1 Claim, 8 Drawing Sheets



(56)

References Cited

U.S. PATENT DOCUMENTS

7,386,799 B1 *	6/2008	Clanton	A63F 13/12	D754,716 S *	4/2016	Davis	D14/487
				715/753	D755,205 S *	5/2016	Sanderson	D14/485
D580,947 S *	11/2008	Onai	D14/486	D758,403 S *	6/2016	Lee	D14/486
7,479,949 B2 *	1/2009	Jobs	G06F 3/0488	D761,313 S *	7/2016	Quinn	D14/492
				345/173	D781,314 S *	3/2017	Astrom	D14/486
D622,283 S *	8/2010	Van Os	D14/486	D785,656 S *	5/2017	Bramer	D14/486
7,988,553 B2 *	8/2011	Kastner	G06Q 10/0637	D790,581 S *	6/2017	Chaudhri	D14/486
				235/379	D791,144 S *	7/2017	Li	D14/485
D664,992 S *	8/2012	Pizzutelli	D14/492	D791,146 S *	7/2017	Su	D14/485
D665,418 S *	8/2012	Pizzutelli	D14/492	D792,894 S *	7/2017	Dzjind	D14/486
8,585,598 B2 *	11/2013	Razzaque	A61B 18/1477	D819,074 S *	5/2018	Chow	D14/489
				600/439	2008/0036776 A1 *	2/2008	Niles	G06F 3/04815
8,750,568 B2 *	6/2014	Frank	G06K 9/3216					345/474
				382/103	2009/0243957 A1 *	10/2009	Ni	G06F 3/04815
D716,832 S *	11/2014	Schoger	D14/486					345/1.1
D753,150 S *	4/2016	Chmiel	D14/485	2010/0229130 A1 *	9/2010	Edge	G06F 3/04883
									715/863
					2017/0212967 A1 *	7/2017	Dexter	G06F 17/5004

* cited by examiner

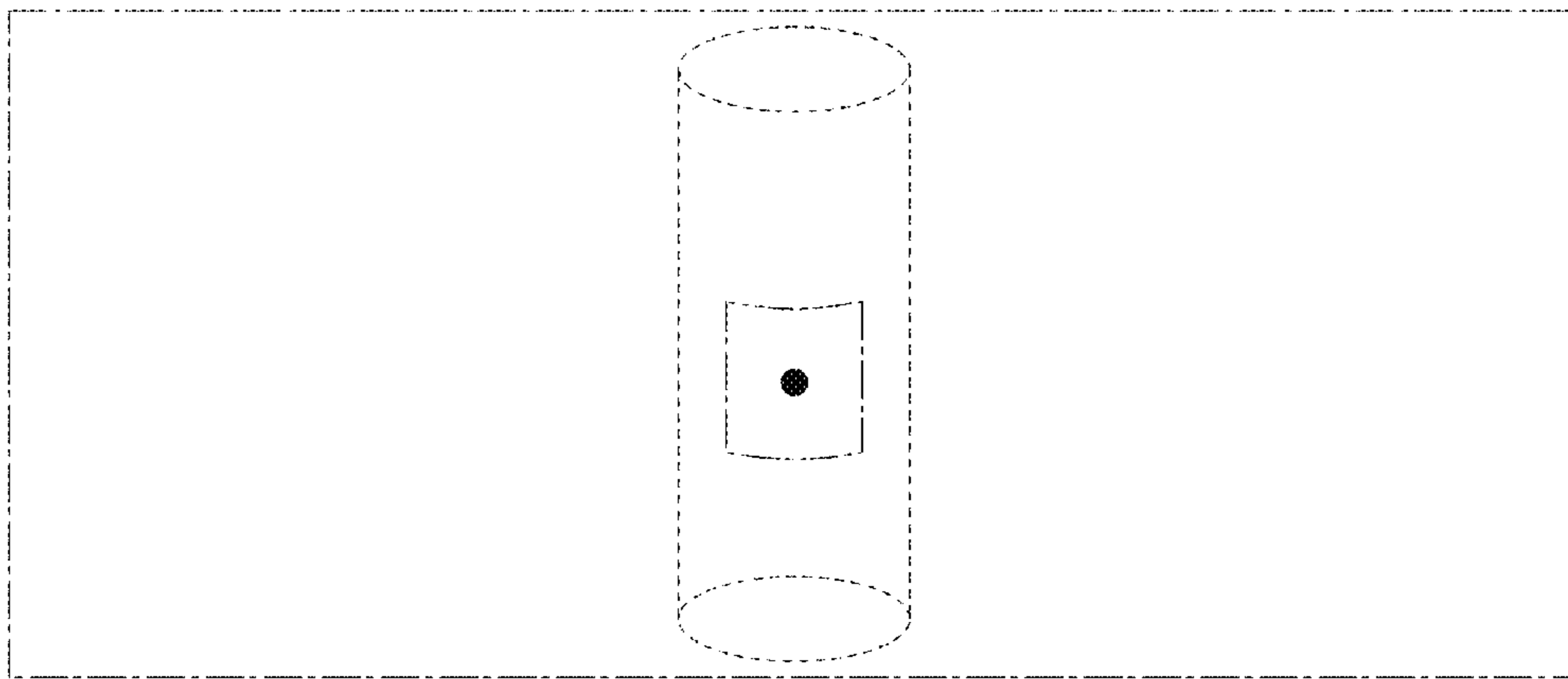


FIG. 1

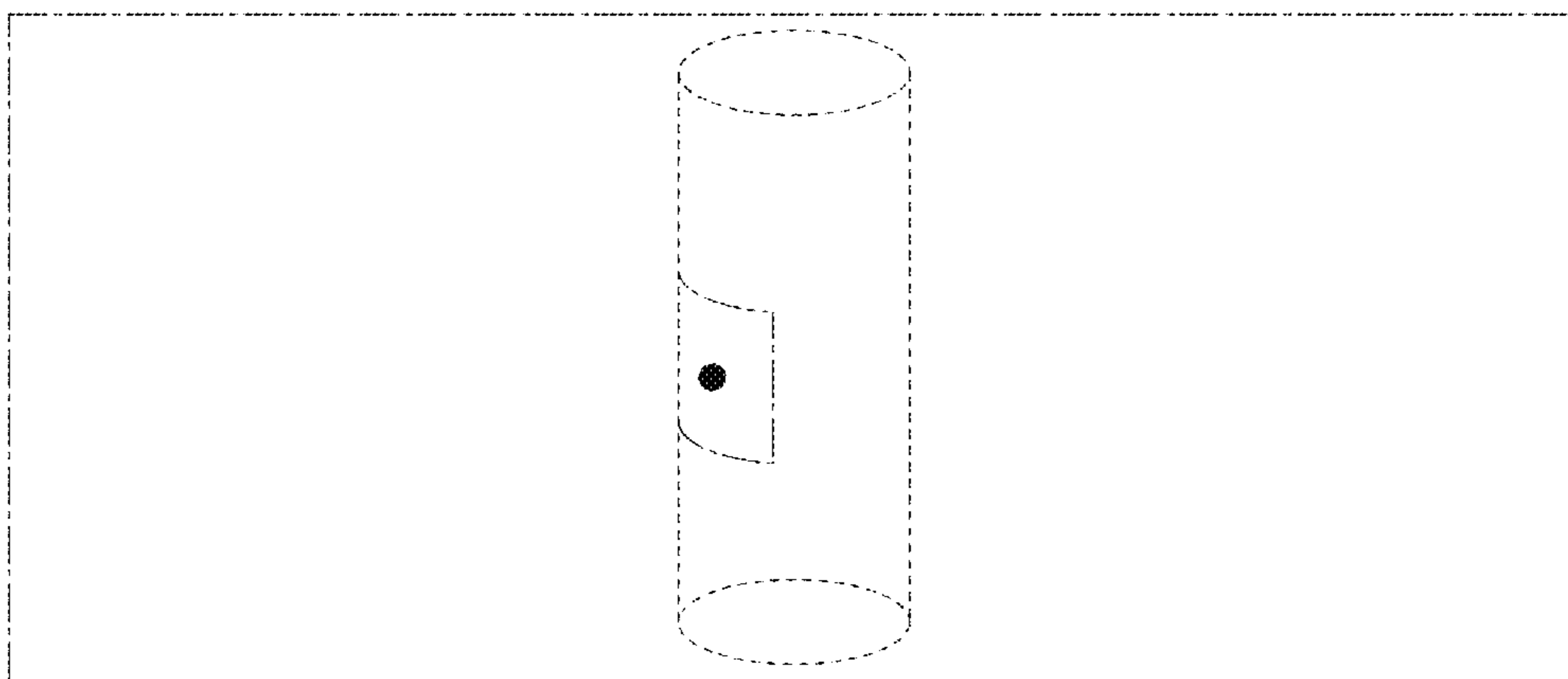


FIG. 2

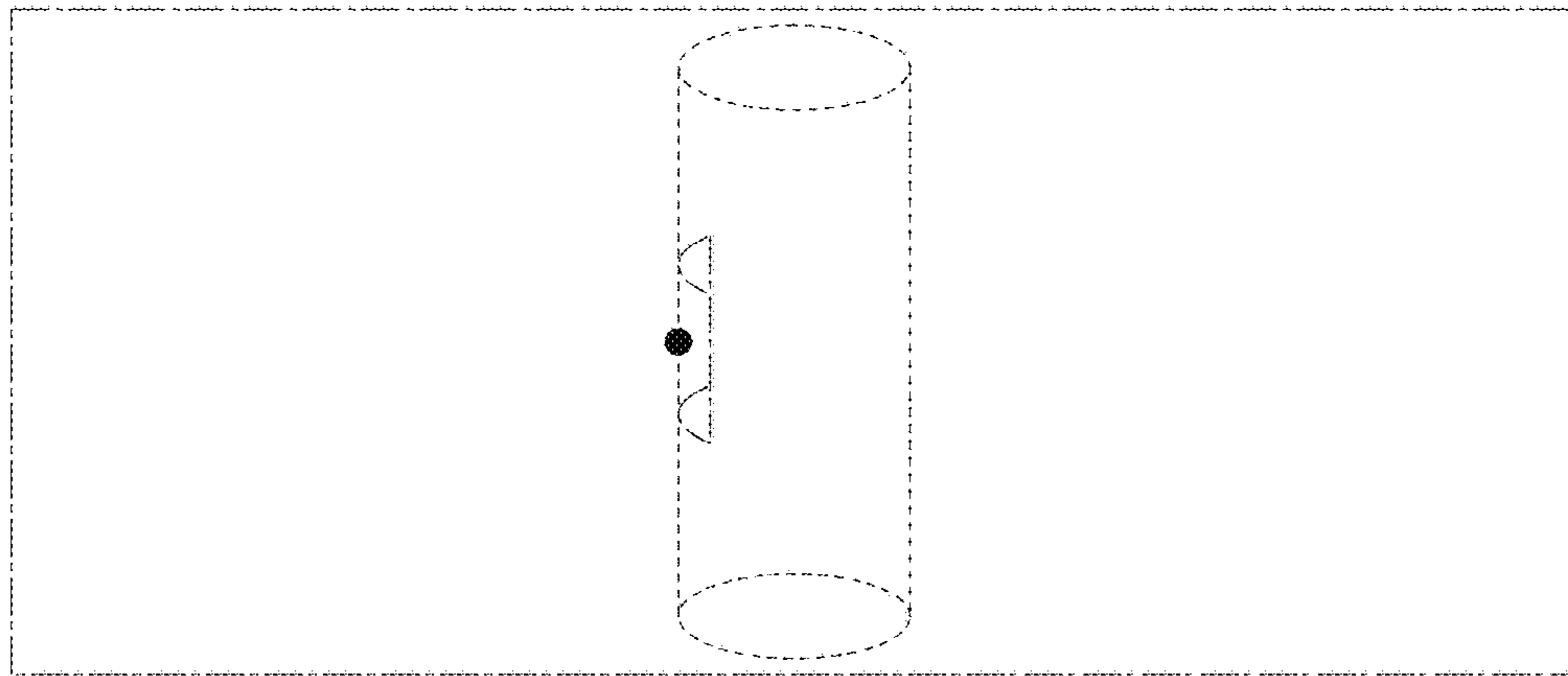


FIG. 3

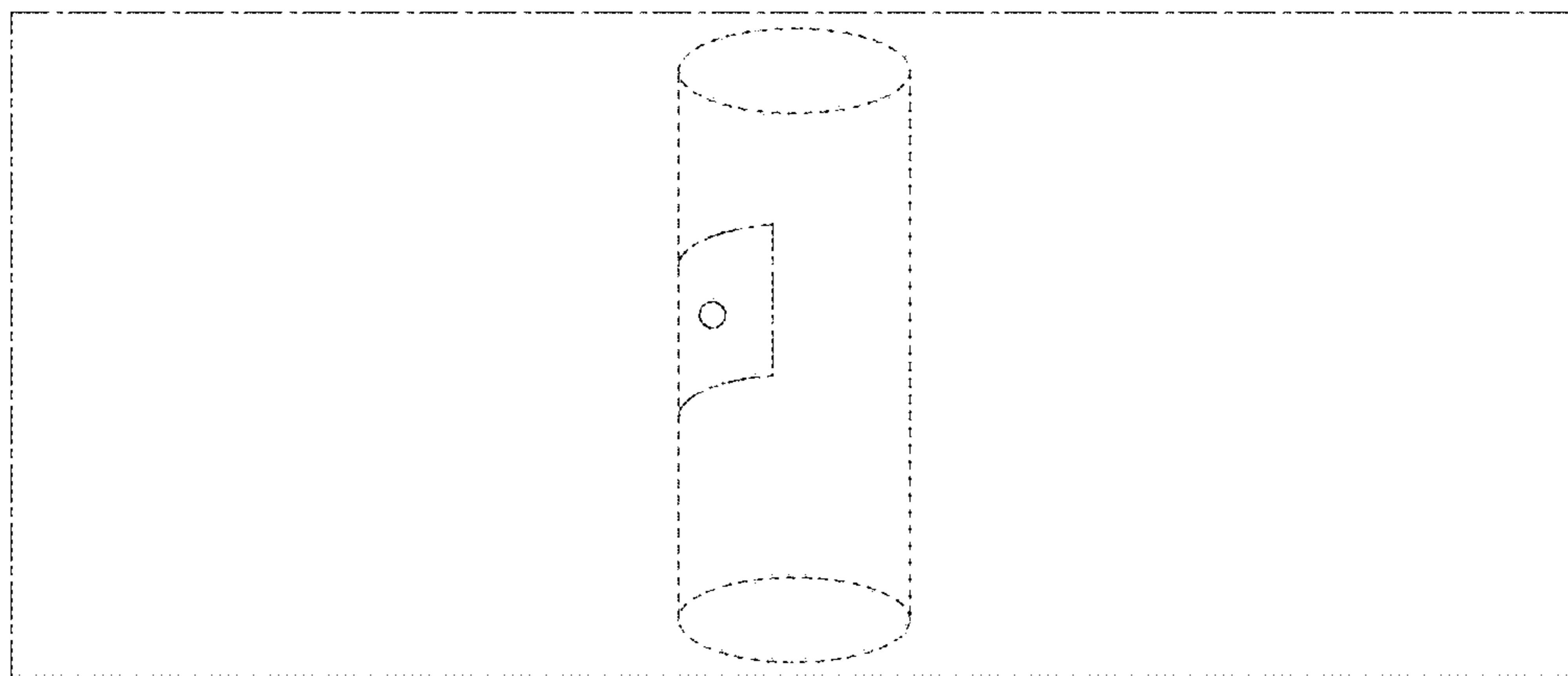


FIG. 4

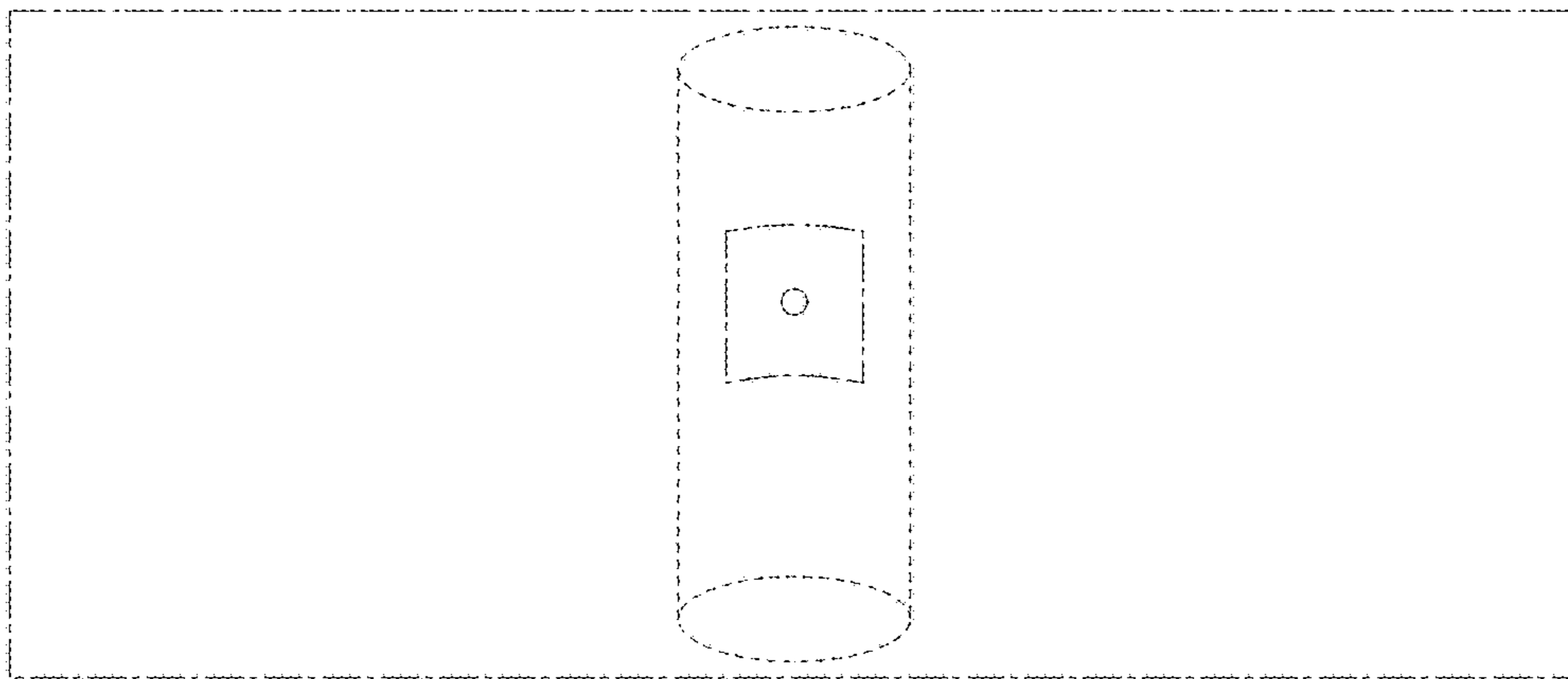


FIG. 5

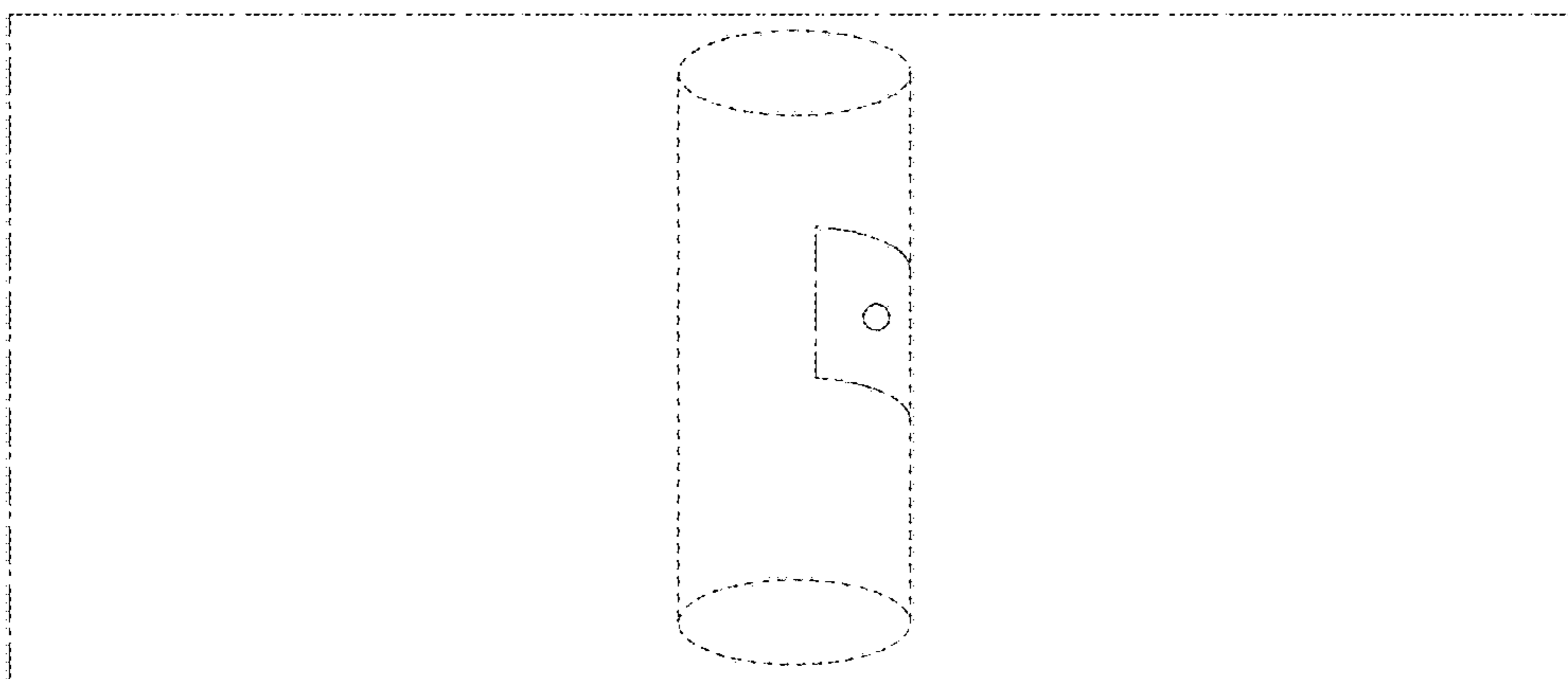


FIG. 6

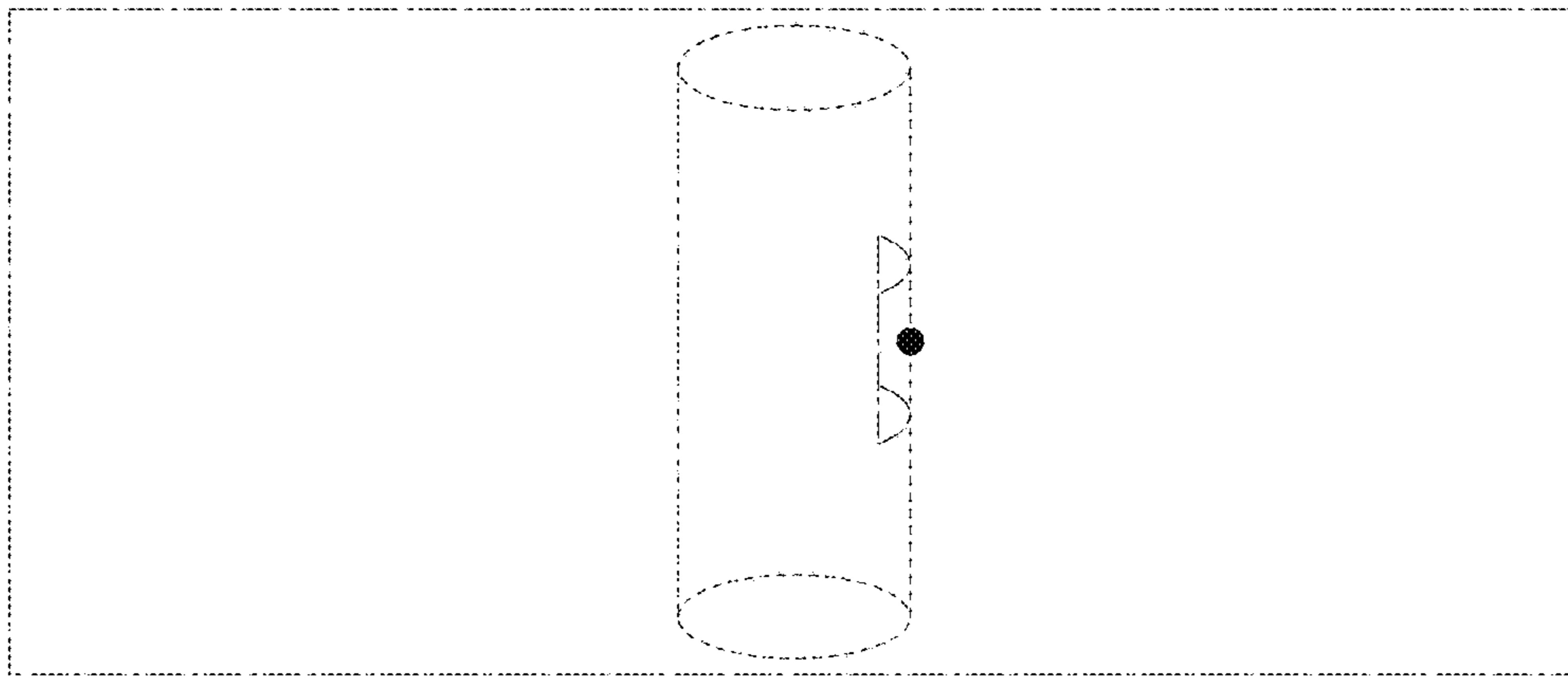


FIG. 7

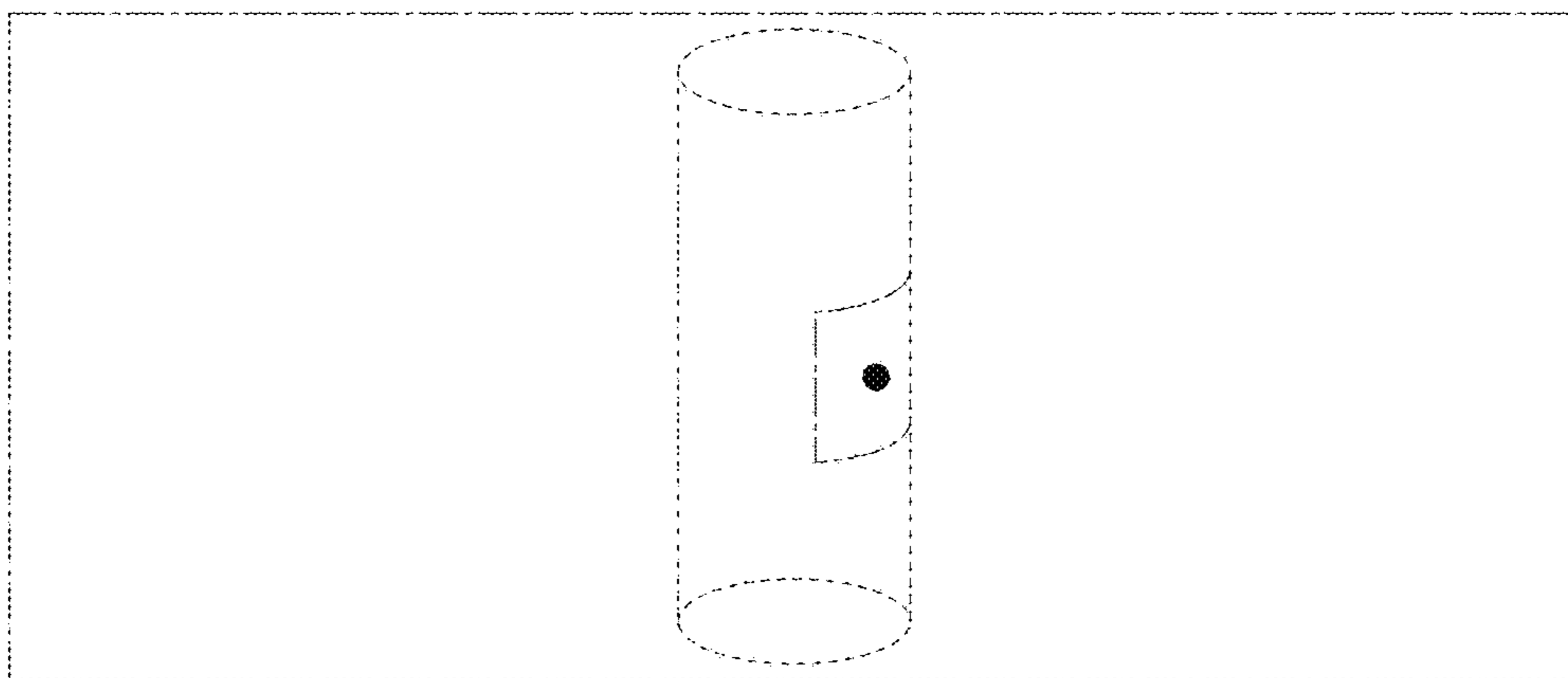


FIG. 8

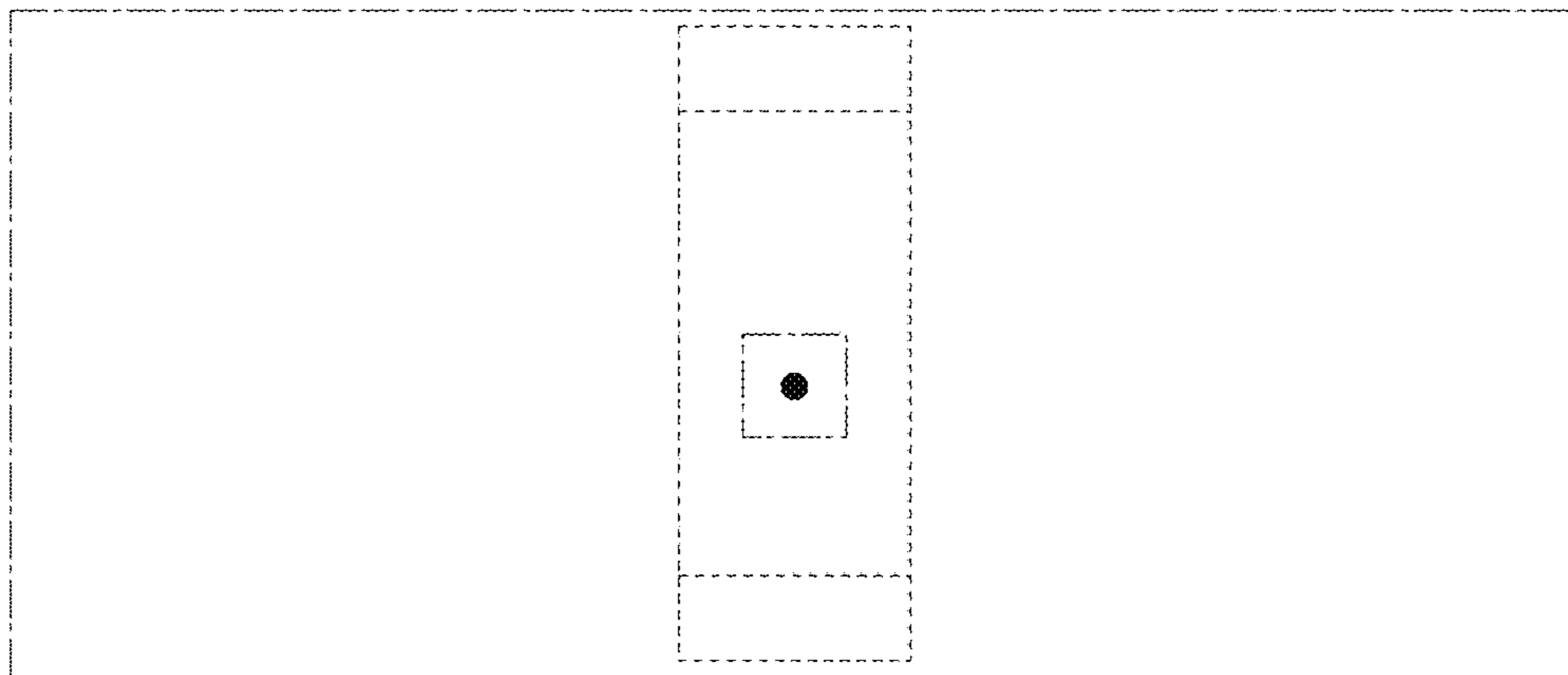


FIG. 9

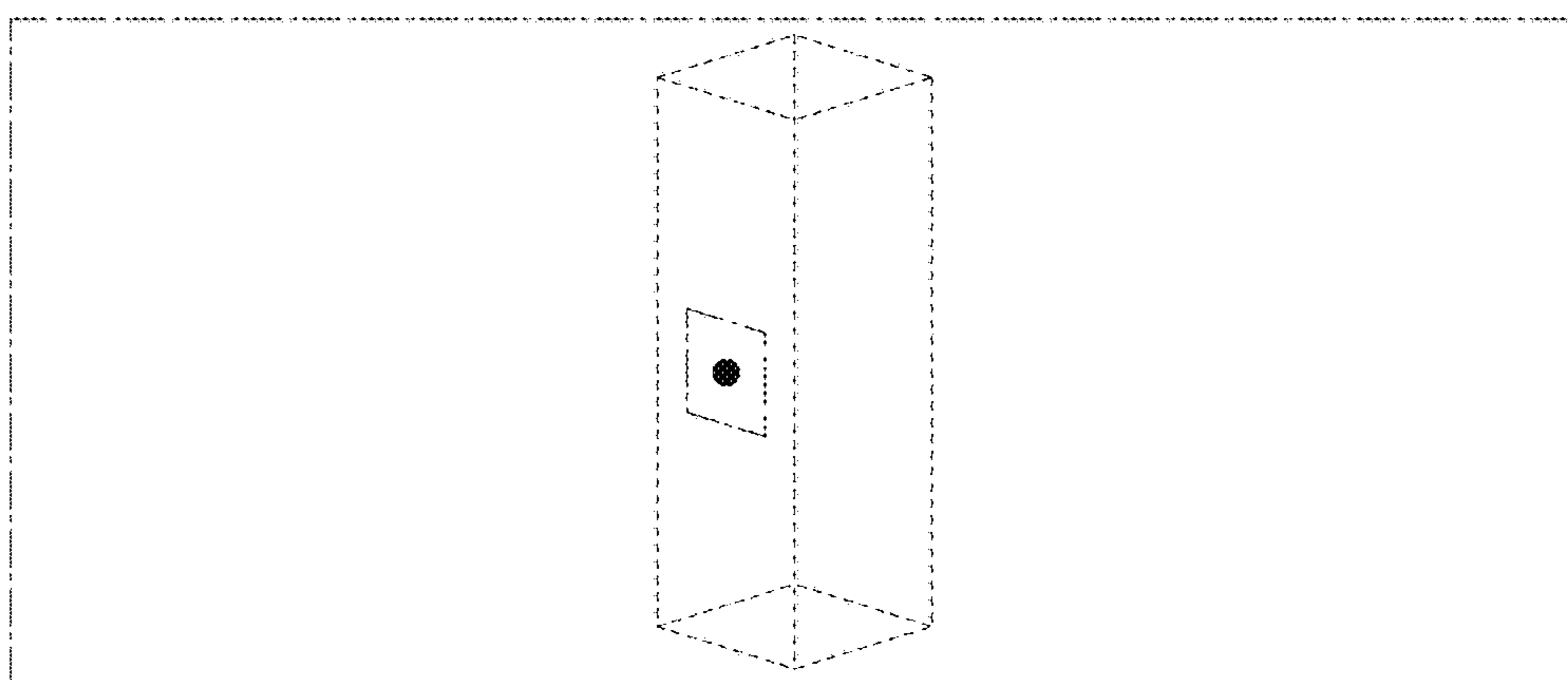


FIG. 10

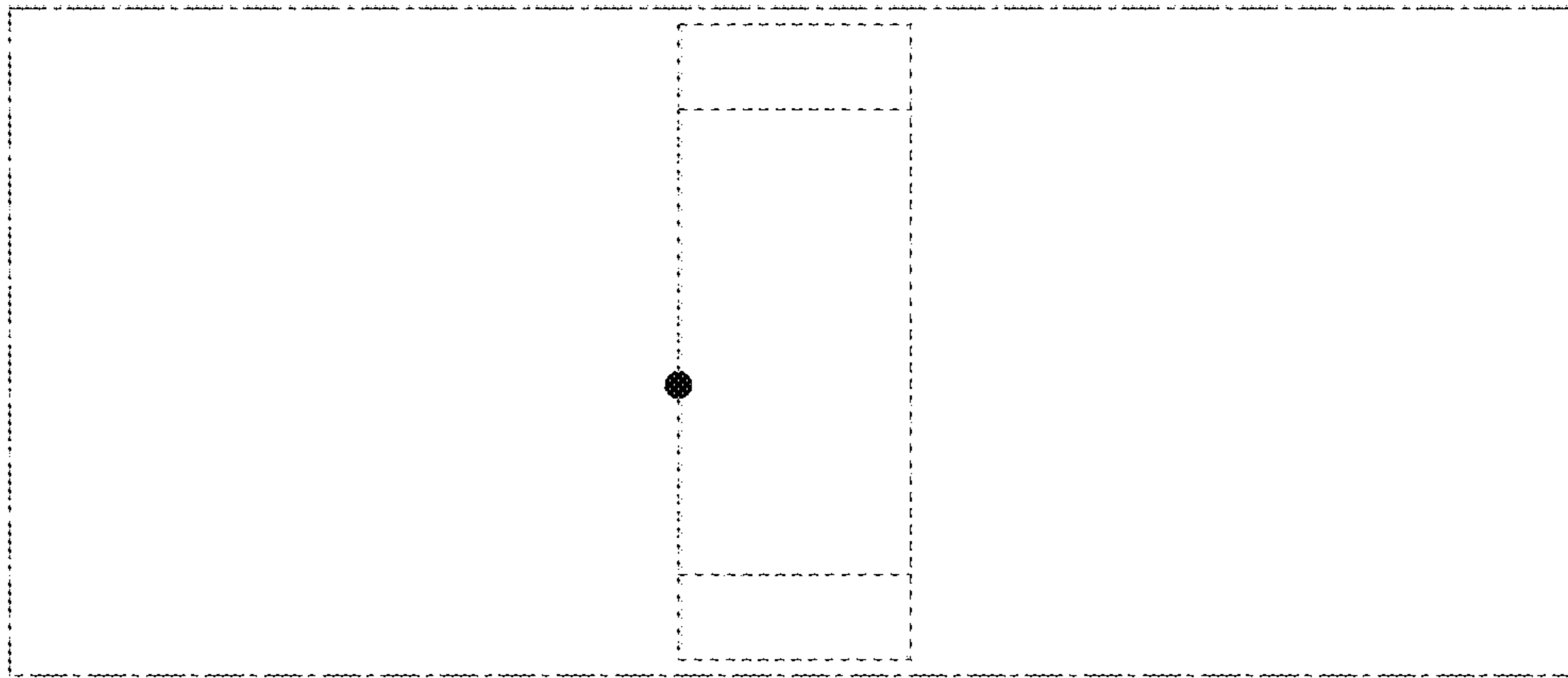


FIG. 11

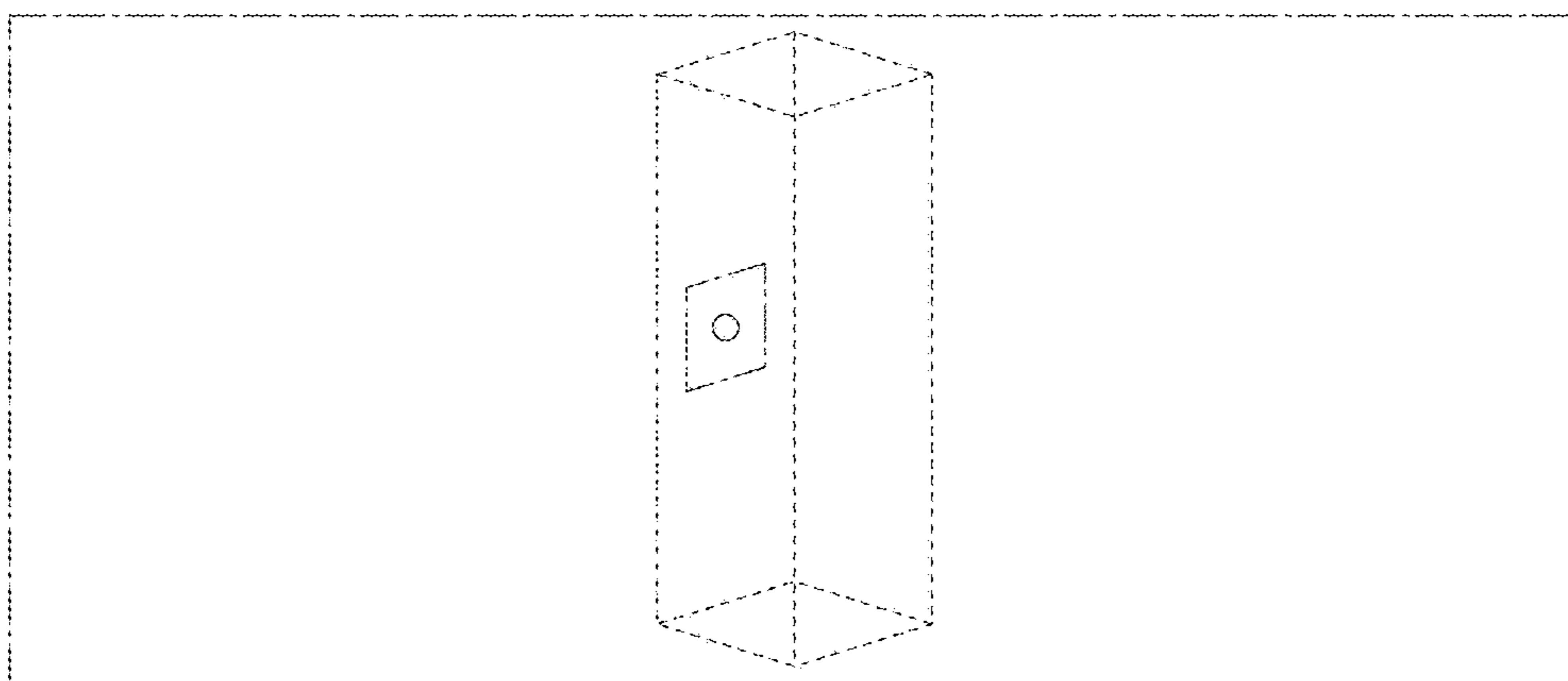


FIG. 12

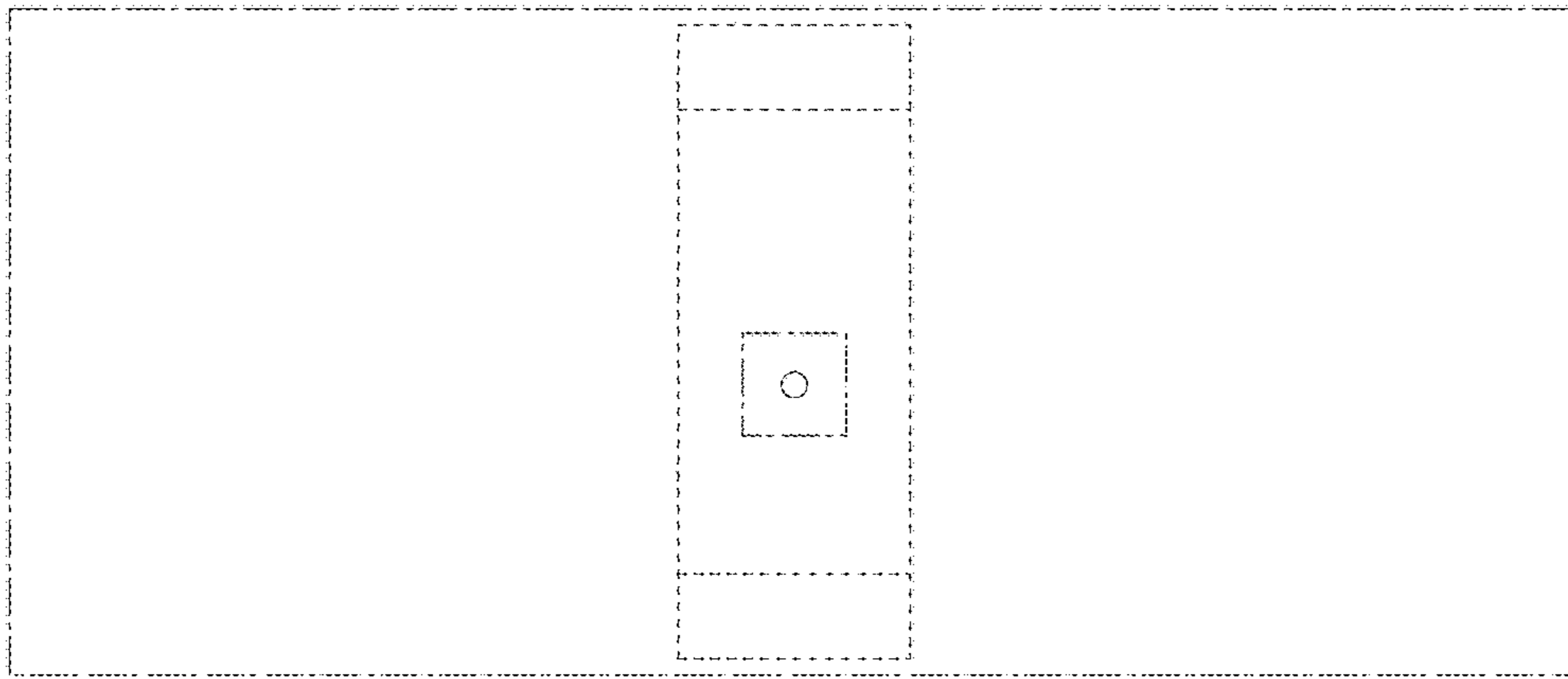


FIG. 13

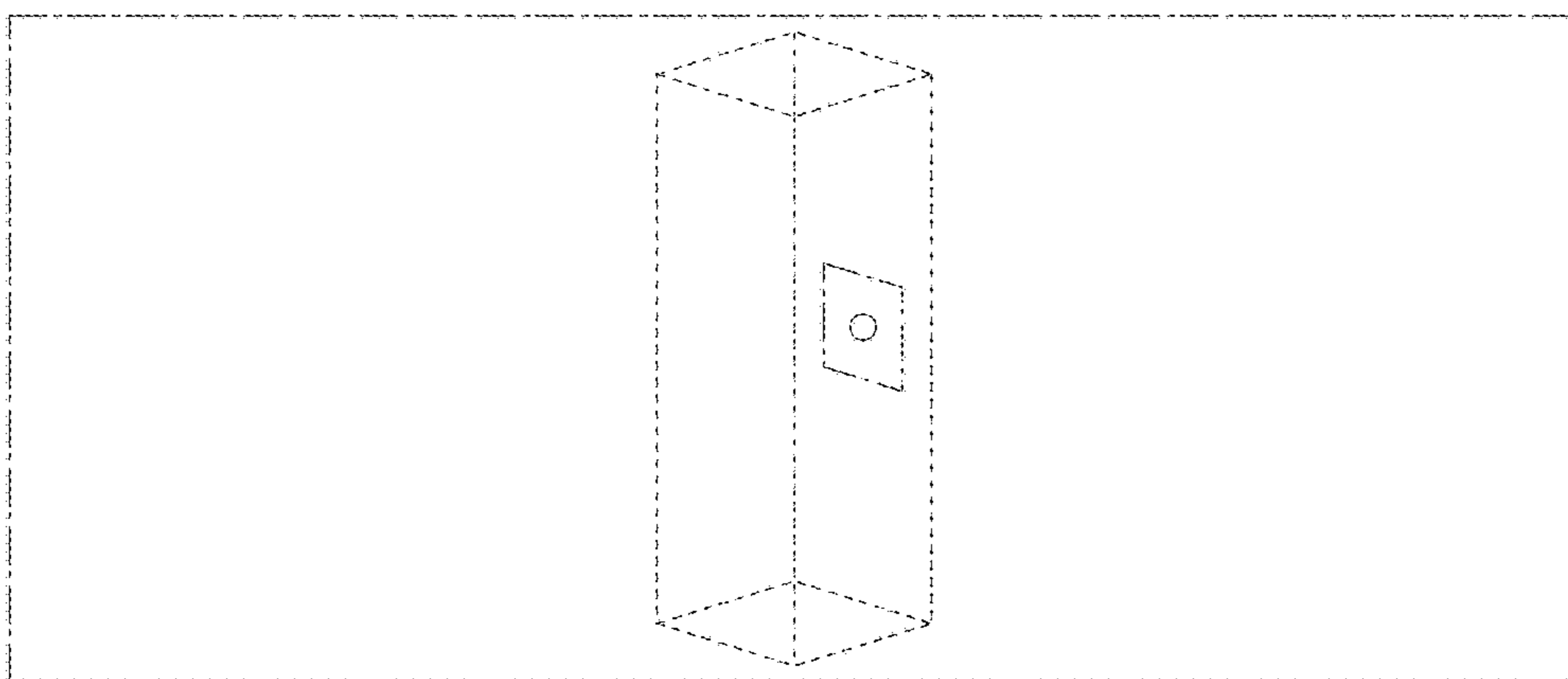


FIG. 14

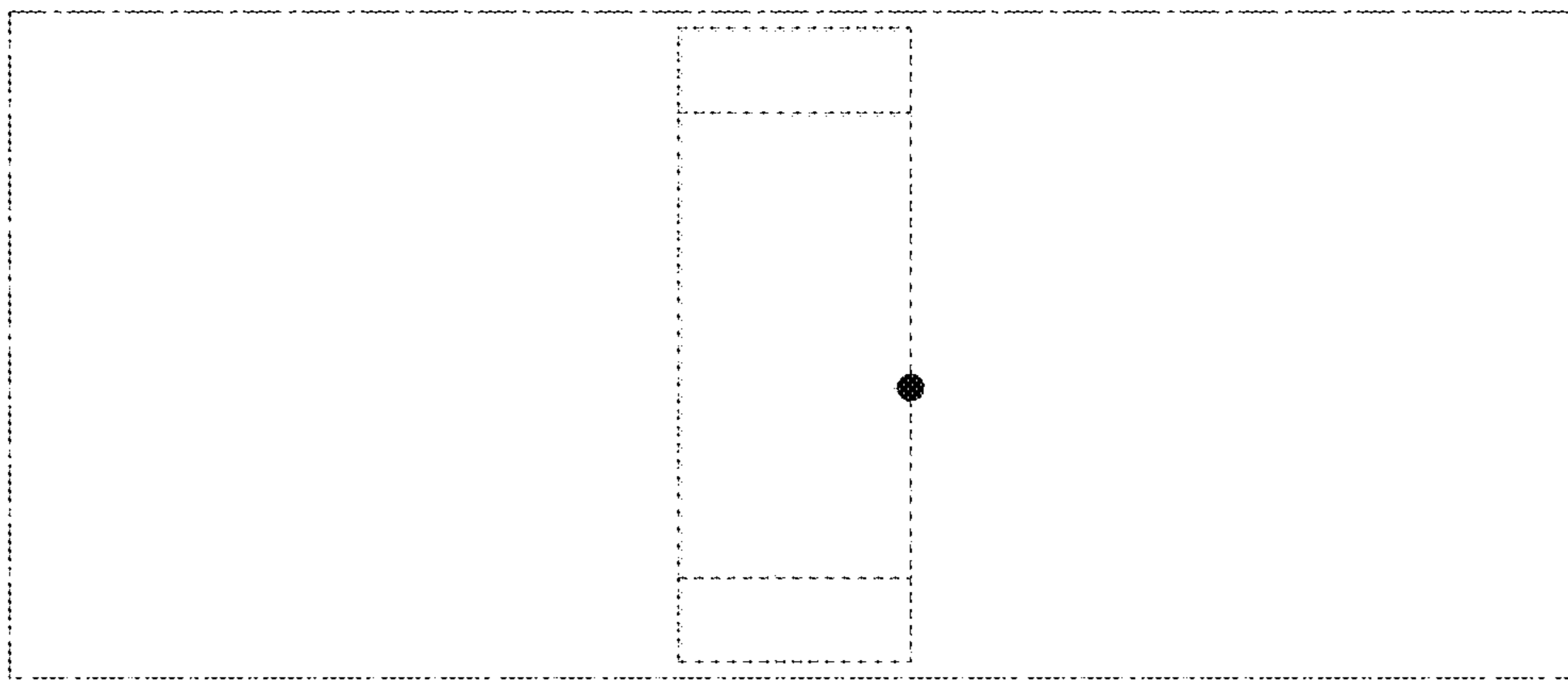


FIG. 15

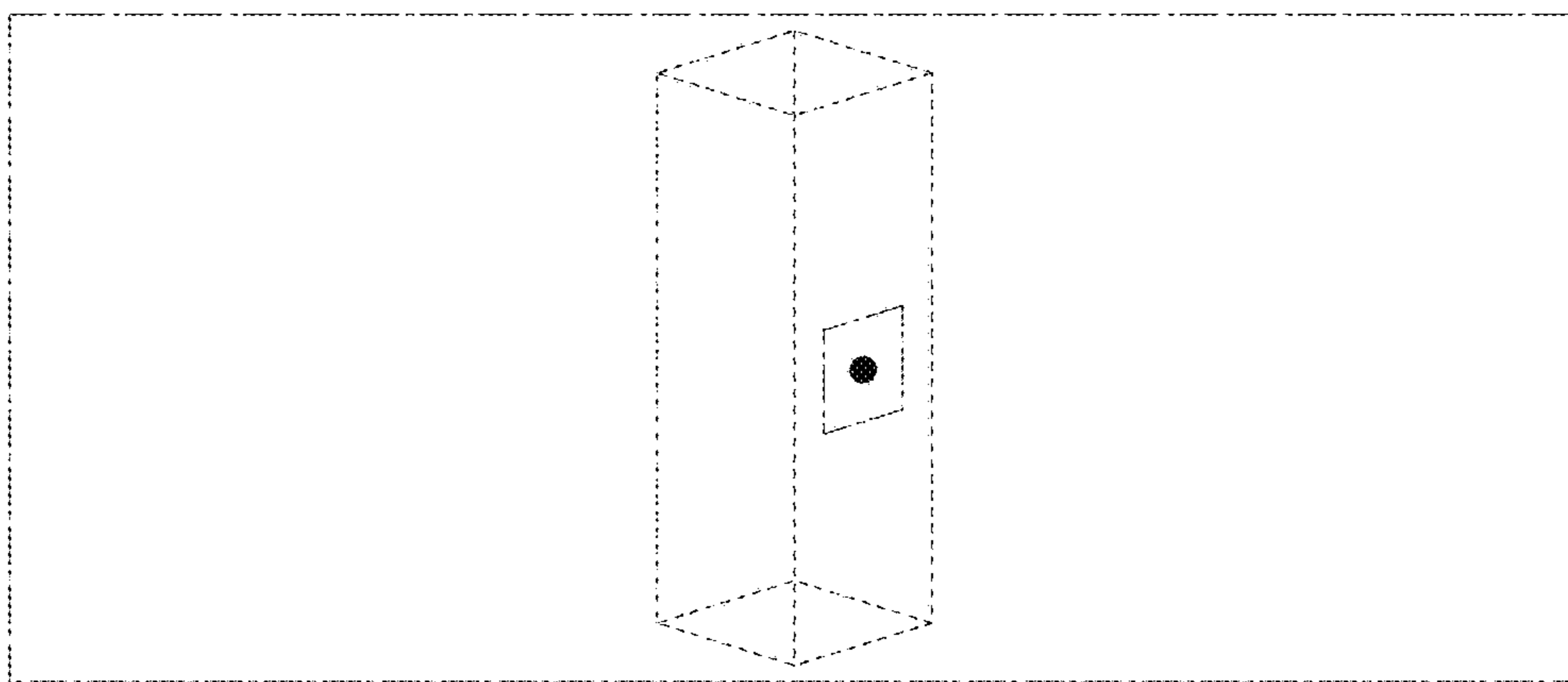


FIG. 16