



US00D838723S

(12) **United States Design Patent**
Wang

(10) **Patent No.:** **US D838,723 S**

(45) **Date of Patent:** **** Jan. 22, 2019**

- (54) **PORTABLE CASE**
- (71) Applicant: **Shenzhen Heng Nuo Wei Technology Co., Ltd.**, Shenzhen, Guangdong (CN)
- (72) Inventor: **Yajun Wang**, Guangdong (CN)
- (73) Assignee: **Shenzhen Heng Nuo Wei Technology Co., Ltd.**, Shenzhen (CN)
- (**) Term: **15 Years**
- (21) Appl. No.: **29/613,103**
- (22) Filed: **Aug. 7, 2017**
- (51) **LOC (11) Cl.** **14-02**
- (52) **U.S. Cl.**
USPC **D14/440**
- (58) **Field of Classification Search**
USPC D14/440; 206/45.23, 320, 45.2;
361/679.55; 294/25; 224/218
CPC ... G06F 1/1628; G06F 1/1626; A47B 23/044;
H04B 1/3888; H05K 5/0217
See application file for complete search history.

- D694,246 S * 11/2013 Park D14/440
- D703,672 S * 4/2014 Kim D14/440
- 8,690,210 B1 * 4/2014 May A45F 5/00
224/217
- D712,412 S * 9/2014 Bleau D14/440
- D721,075 S * 1/2015 Toda D14/342
- D721,376 S * 1/2015 Lee D14/440
- D725,659 S * 3/2015 Tussy D14/440
- D727,917 S * 4/2015 Yeo D14/440
- D733,154 S * 6/2015 Armstrong D14/440
- D741,335 S * 10/2015 Bastian D14/440
- D747,321 S * 1/2016 London D14/440
- D749,592 S * 2/2016 Huang D14/440
- D752,052 S * 3/2016 Park D14/440
- D754,666 S * 4/2016 Tiffen D14/440
- D763,853 S * 8/2016 Pearce D14/440
- D765,085 S * 8/2016 Moore D14/440
- 9,407,743 B1 * 8/2016 Hirshberg H04M 1/04
- D766,249 S * 9/2016 Veltz D14/440
- D771,030 S * 11/2016 Tussy D14/250

(Continued)

Primary Examiner — Cynthia R Underwood
(74) *Attorney, Agent, or Firm* — ScienBiziP, P.C.

(57) **CLAIM**

The ornamental design for a portable case, as shown and described.

DESCRIPTION

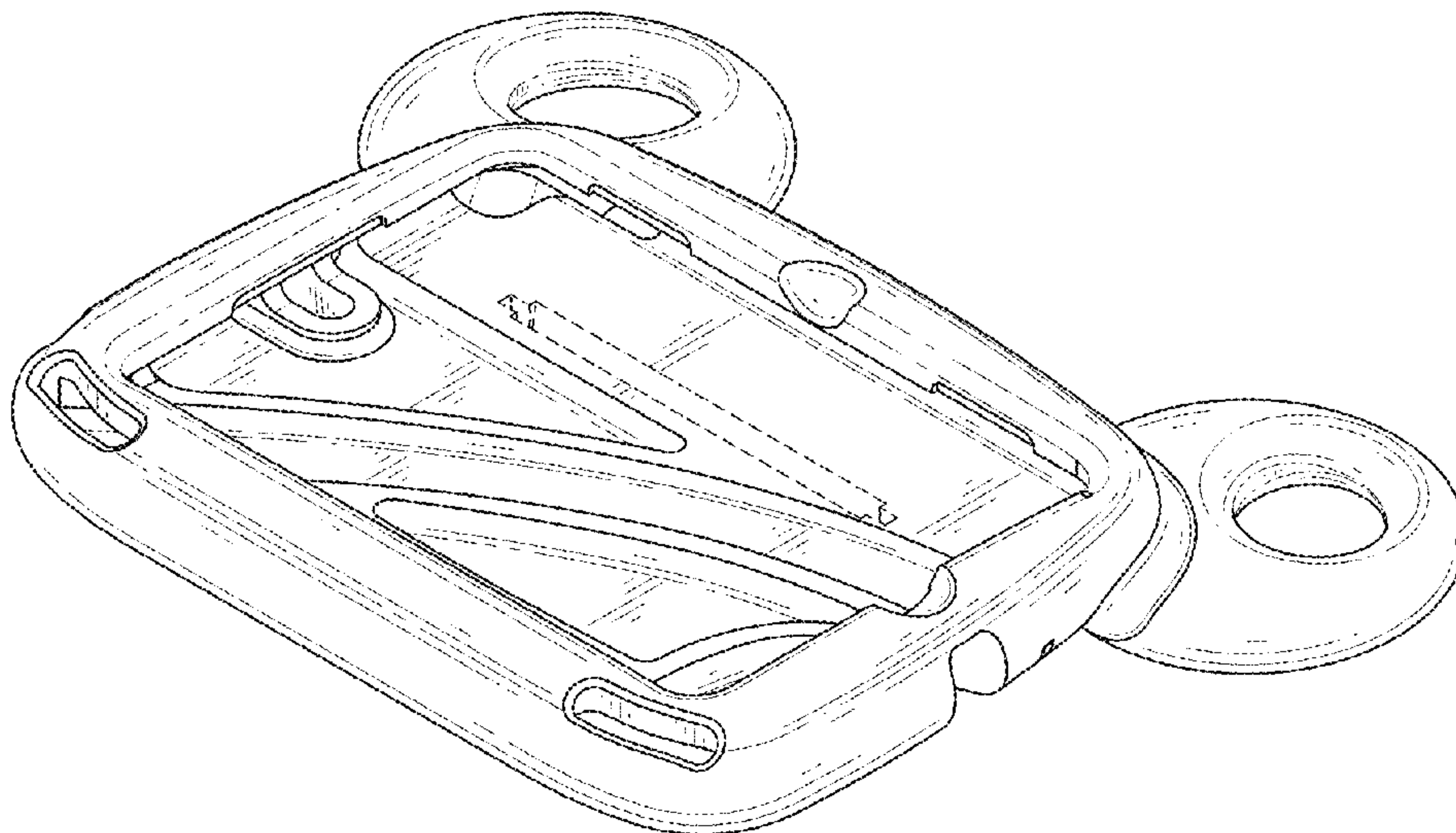
FIG. 1 is a first perspective view of a portable case showing my new design;
FIG. 2 is a second perspective view thereof;
FIG. 3 is a front elevational view thereof;
FIG. 4 is a rear elevational view thereof;
FIG. 5 is a left side view thereof;
FIG. 6 is a right side view thereof;
FIG. 7 is a top plan view thereof; and,
FIG. 8 is a bottom plan view thereof.
The broken lines in the drawings illustrate portions of the portable case which form no part of the claimed design.

1 Claim, 8 Drawing Sheets

(56) **References Cited**

U.S. PATENT DOCUMENTS

- 6,726,070 B2 * 4/2004 Lautner A44C 5/0007
224/221
- D492,303 S * 6/2004 Schlieffers D14/341
- D591,801 S * 5/2009 Mak D21/469
- D594,004 S * 6/2009 Takemasa D14/341
- D611,467 S * 3/2010 Gou D14/315
- D613,285 S * 4/2010 Grant D14/341
- D626,123 S * 10/2010 Peng D14/324
- D676,449 S * 2/2013 Probst D14/440
- D685,376 S * 7/2013 Kim D14/439
- D689,056 S * 9/2013 Li D14/440
- D690,704 S * 10/2013 Padilla D14/440
- D691,144 S * 10/2013 Peters D14/440
- D691,146 S * 10/2013 Perez D14/440



(56)

References Cited

U.S. PATENT DOCUMENTS

D784,350 S * 4/2017 Li D14/440
D794,007 S * 8/2017 Zhang D14/250
D794,625 S * 8/2017 Armstrong D14/250
D797,106 S * 9/2017 Paolizzi D14/426
D803,222 S * 11/2017 Cheng D14/440
D806,083 S * 12/2017 Armstrong D14/440
D807,366 S * 1/2018 Chen D14/440
D817,316 S * 5/2018 Srouf D14/251
D821,405 S * 6/2018 Chen D14/440
2004/0226973 A1 * 11/2004 Kao F16M 11/041
224/218
2007/0215512 A1 * 9/2007 Bellissimo A47G 23/0625
206/557
2009/0219677 A1 * 9/2009 Mori A45F 3/14
361/679.03
2011/0267748 A1 * 11/2011 Lane A45F 5/00
361/679.01
2011/0309117 A1 * 12/2011 Roberts A45F 5/00
224/217
2012/0091312 A1 * 4/2012 Baker F16M 13/00
248/682
2014/0054910 A1 * 2/2014 Kim H04B 1/385
294/158
2014/0152034 A1 * 6/2014 Tussy F16M 13/04
294/142
2015/0009610 A1 * 1/2015 London G06F 1/163
361/679.03
2015/0068934 A1 * 3/2015 Armstrong A45C 11/00
206/320
2015/0201743 A1 * 7/2015 Erickson-Davis A45F 5/00
224/218
2017/0045920 A1 * 2/2017 Armstrong G06F 1/1669

* cited by examiner

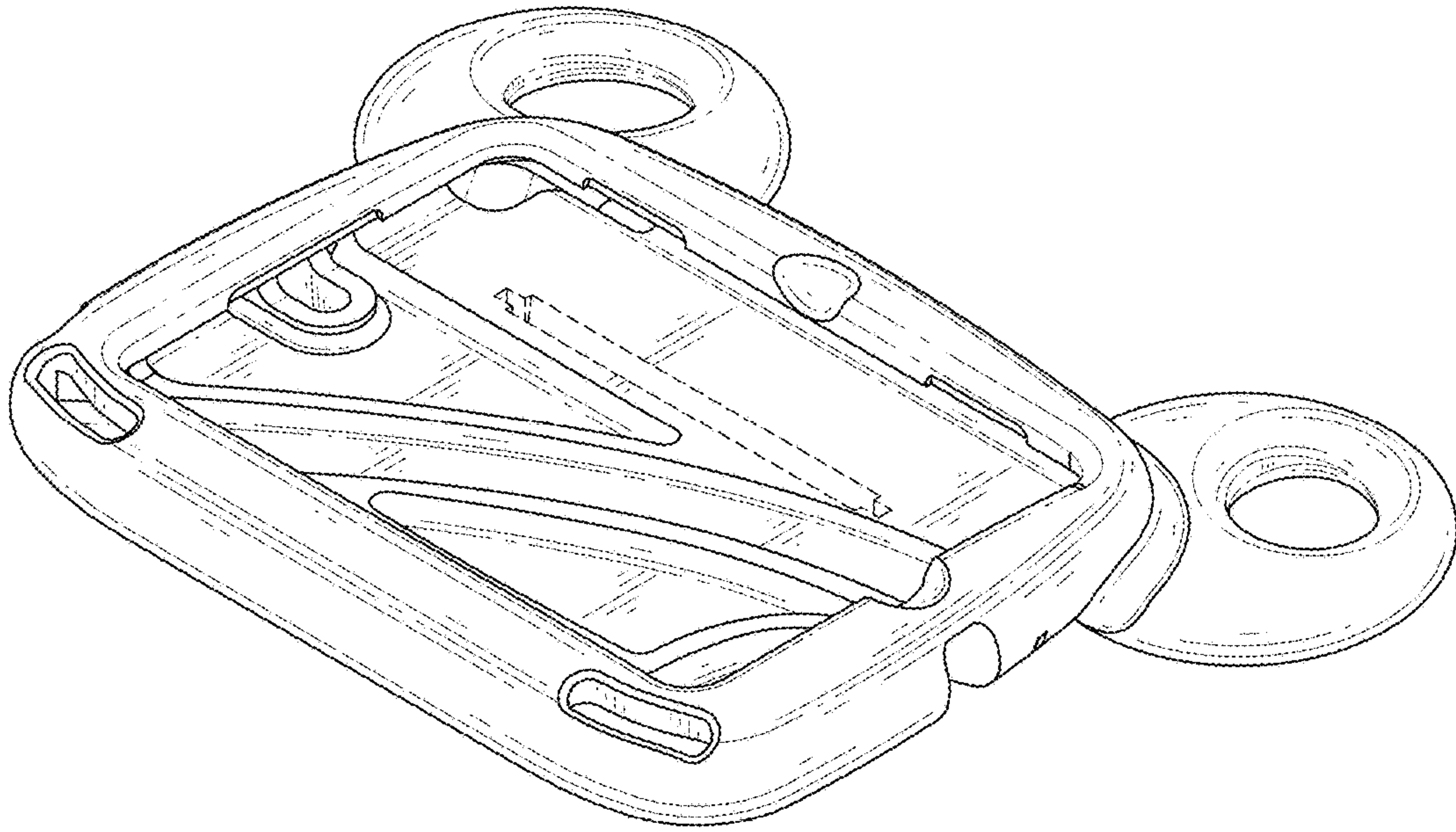


FIG. 1

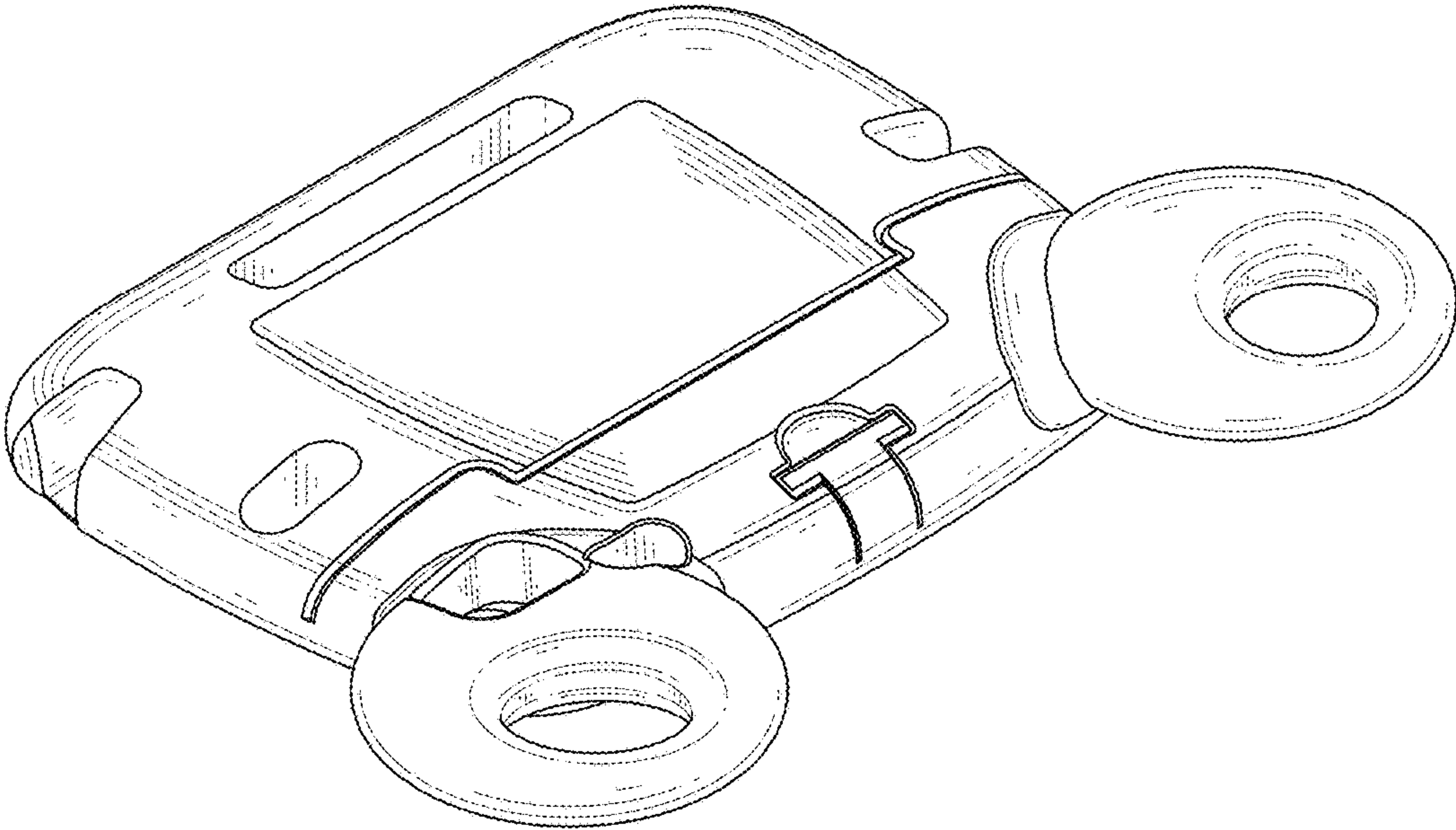


FIG. 2

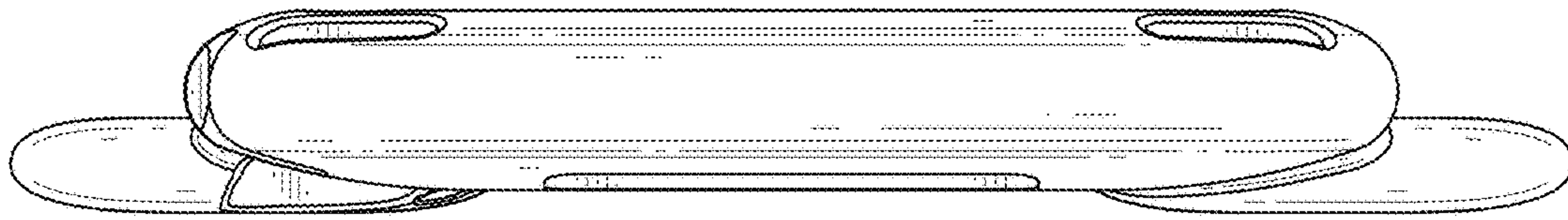


FIG. 3

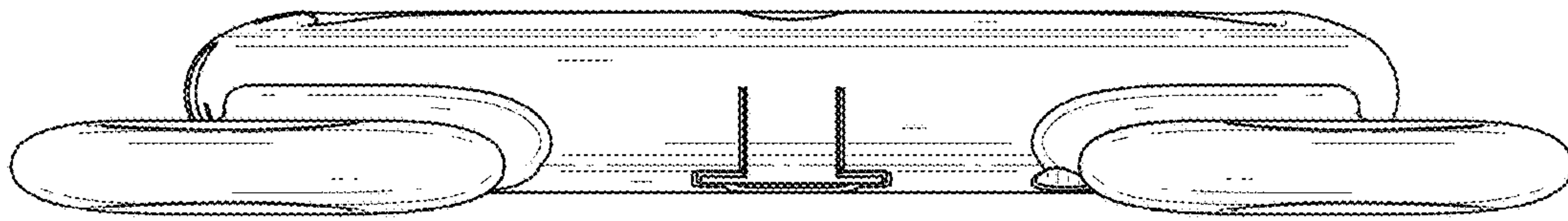


FIG. 4

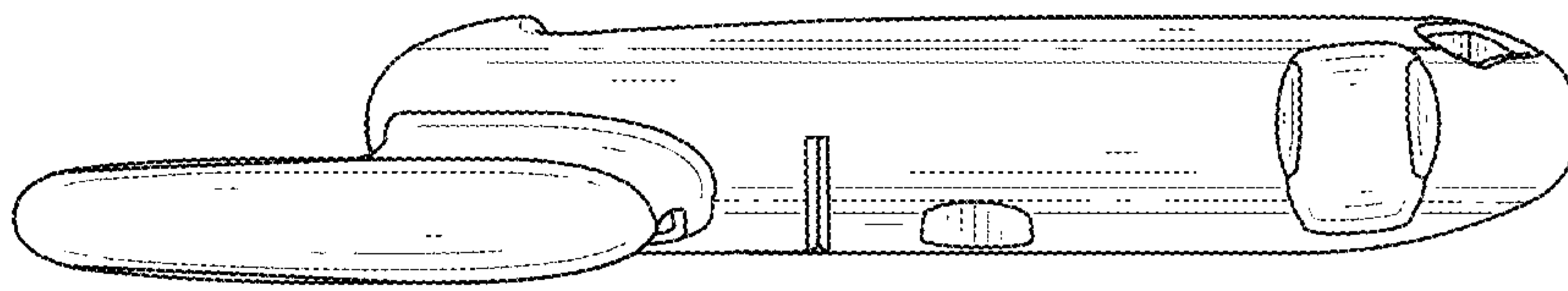


FIG. 5

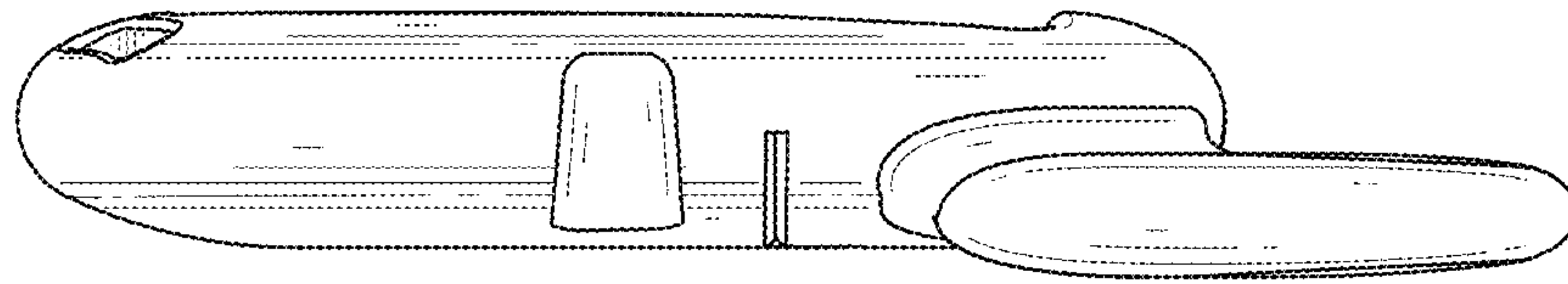


FIG. 6

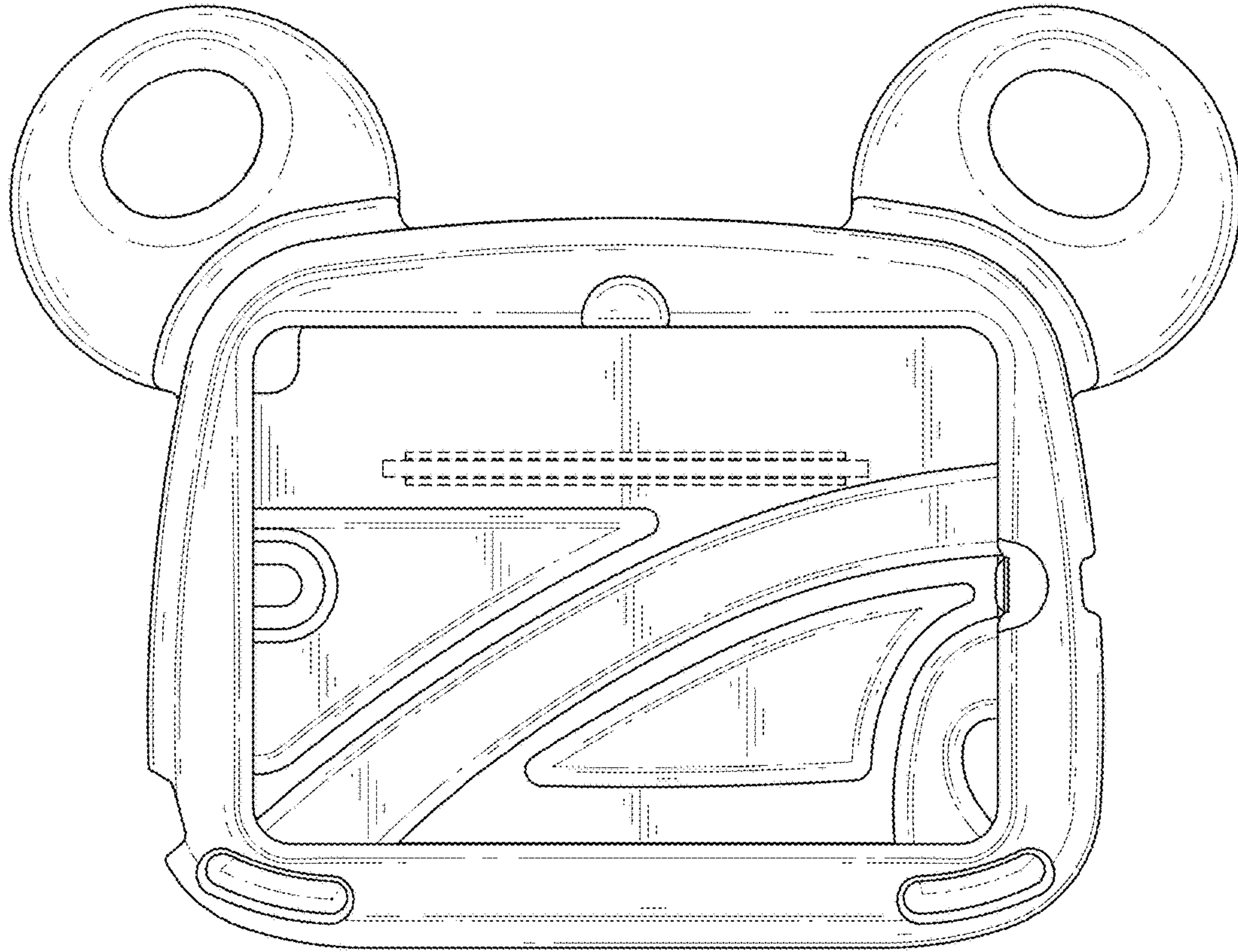


FIG. 7

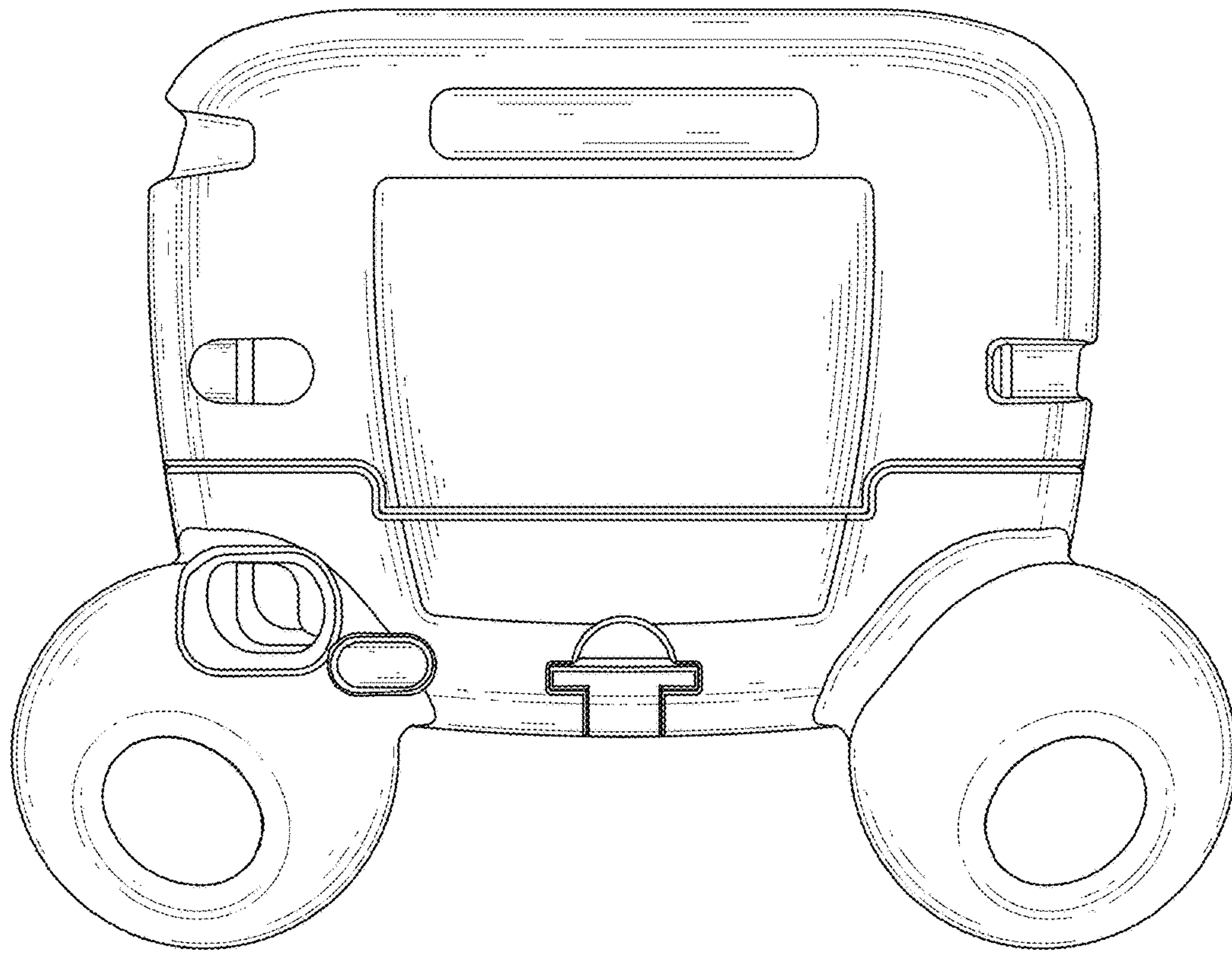


FIG. 8