



US00D838721S

(12) **United States Design Patent**  
**Pang et al.**

(10) **Patent No.:** **US D838,721 S**

(45) **Date of Patent:** **\*\* Jan. 22, 2019**

(54) **KEYBOARD**

(71) Applicant: **Shenzhen Riitek Technology Co., Ltd.**,  
Shenzhen, Guangdong (CN)

(72) Inventors: **Xianyong Pang**, Shenzhen (CN);  
**Junkui Chen**, Shenzhen (CN)

(73) Assignee: **Shenzhen Riitek Technology Co., Ltd.**,  
Shenzhen, Guangdong (CN)

(\*\*) Term: **15 Years**

(21) Appl. No.: **29/600,956**

(22) Filed: **Apr. 17, 2017**

(51) **LOC (11) Cl.** ..... **14-02**

(52) **U.S. Cl.**  
USPC ..... **D14/391**

(58) **Field of Classification Search**

USPC ..... D14/315-327, 391-399, 455, 456;  
D18/1, 2, 7, 11; 235/145 A, 145 R;  
341/22, 23; 345/104, 156, 168, 169, 173;  
361/679.08, 679.09, 679.11, 679.26,  
361/679.27  
CPC ..... G06F 1/16; G06F 1/1616; G06F 1/1626;  
G06F 1/1632; G06F 1/1613; G06F  
1/1601; G06F 1/1618; G06F 1/162; G06F  
3/0221; G06F 3/0216; H01R 35/02;  
H03M 11/00; G09B 13/04; H03K 17/94;  
G09G 5/00; F16M 11/10; H05K 5/00;  
H04M 1/0237; H01H 13/14; H01H 13/84;  
B41J 5/00; B41J 5/12; B41J 5/10

See application file for complete search history.

(56) **References Cited**

U.S. PATENT DOCUMENTS

5,793,359 A \* 8/1998 Ushikubo ..... G06F 3/0213  
345/169  
D606,073 S \* 12/2009 O'Neil ..... D14/391  
D629,403 S \* 12/2010 Raken ..... D14/391

\* cited by examiner

*Primary Examiner* — Freda S Nunn

(74) *Attorney, Agent, or Firm* — Raymond Y. Chan;  
David and Raymond Patent Firm

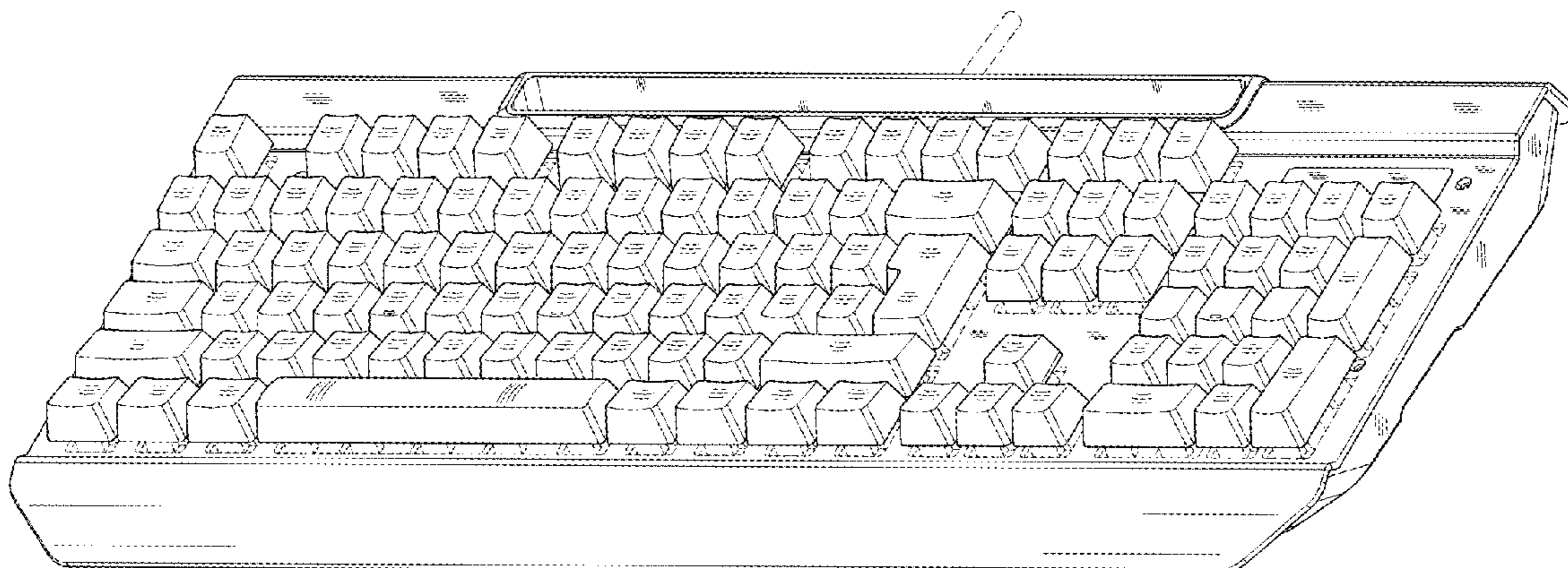
(57) **CLAIM**

The ornamental design for a keyboard, as shown and  
described.

**DESCRIPTION**

FIG. 1 is a perspective view of the keyboard showing my  
new design;  
FIG. 2 is a front view of the keyboard;  
FIG. 3 is a rear view of the keyboard;  
FIG. 4 is a left view of the keyboard;  
FIG. 5 is a right view of the keyboard;  
FIG. 6 is a top view of the keyboard; and,  
FIG. 7 is a bottom view of the keyboard.  
Broken lines shown in the drawings represent unclaimed  
areas only and form no part of the claimed design.

**1 Claim, 7 Drawing Sheets**



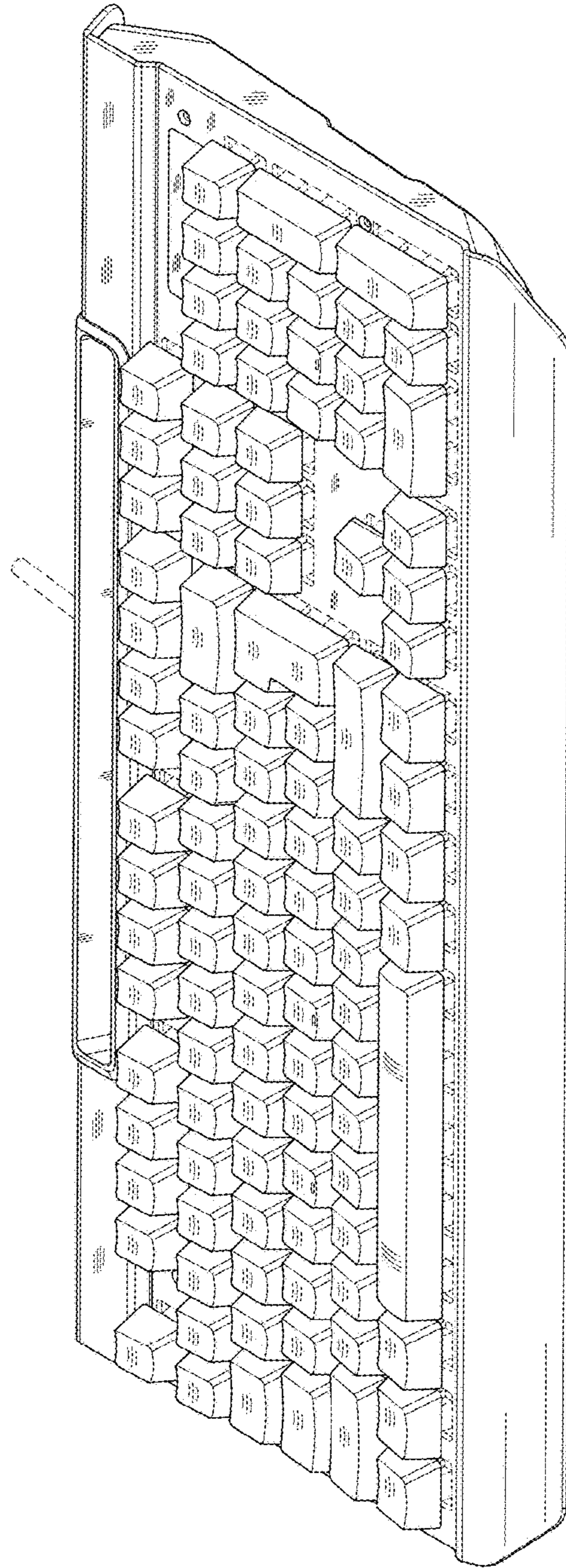


FIG.1

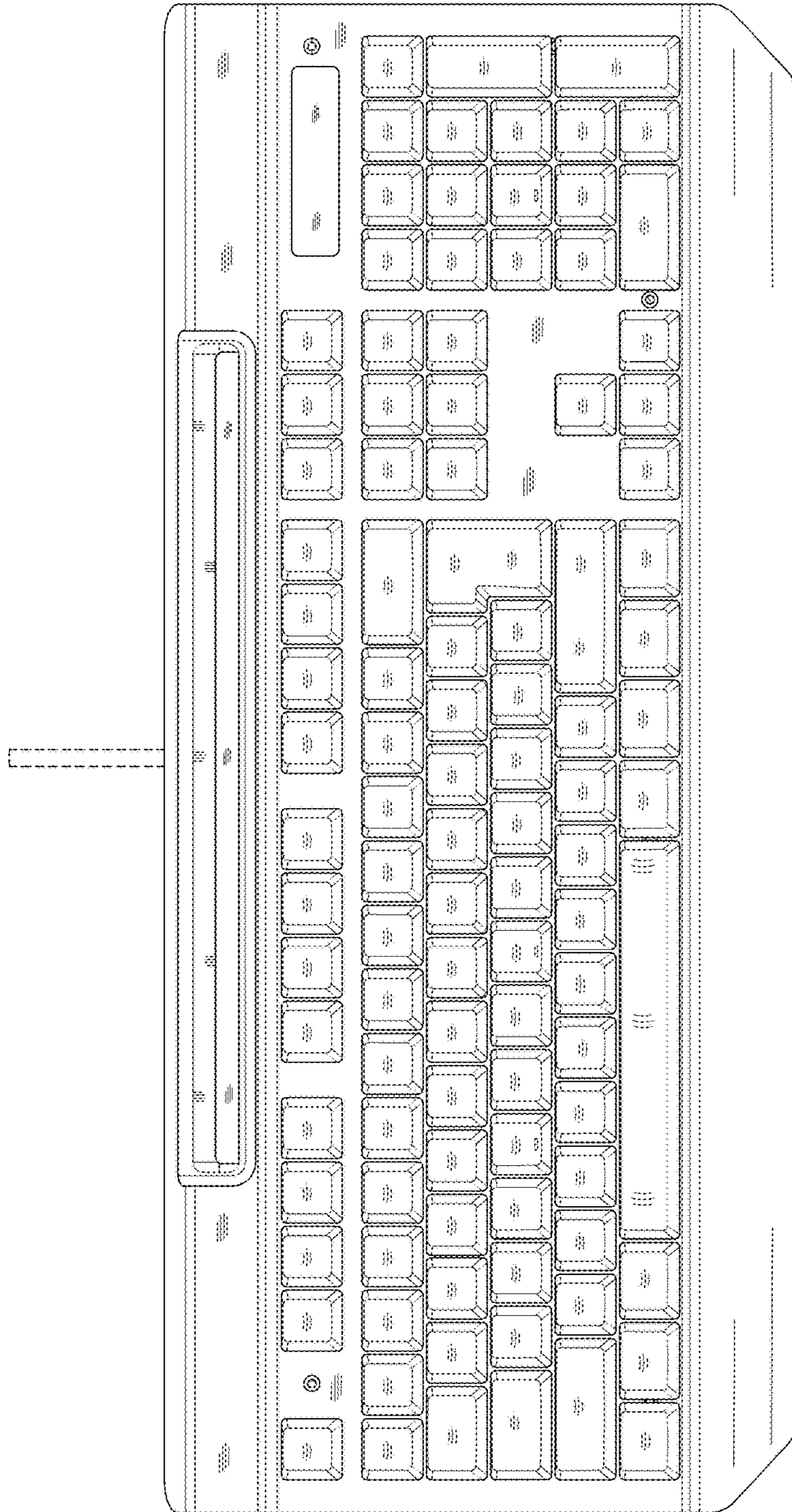


FIG. 2

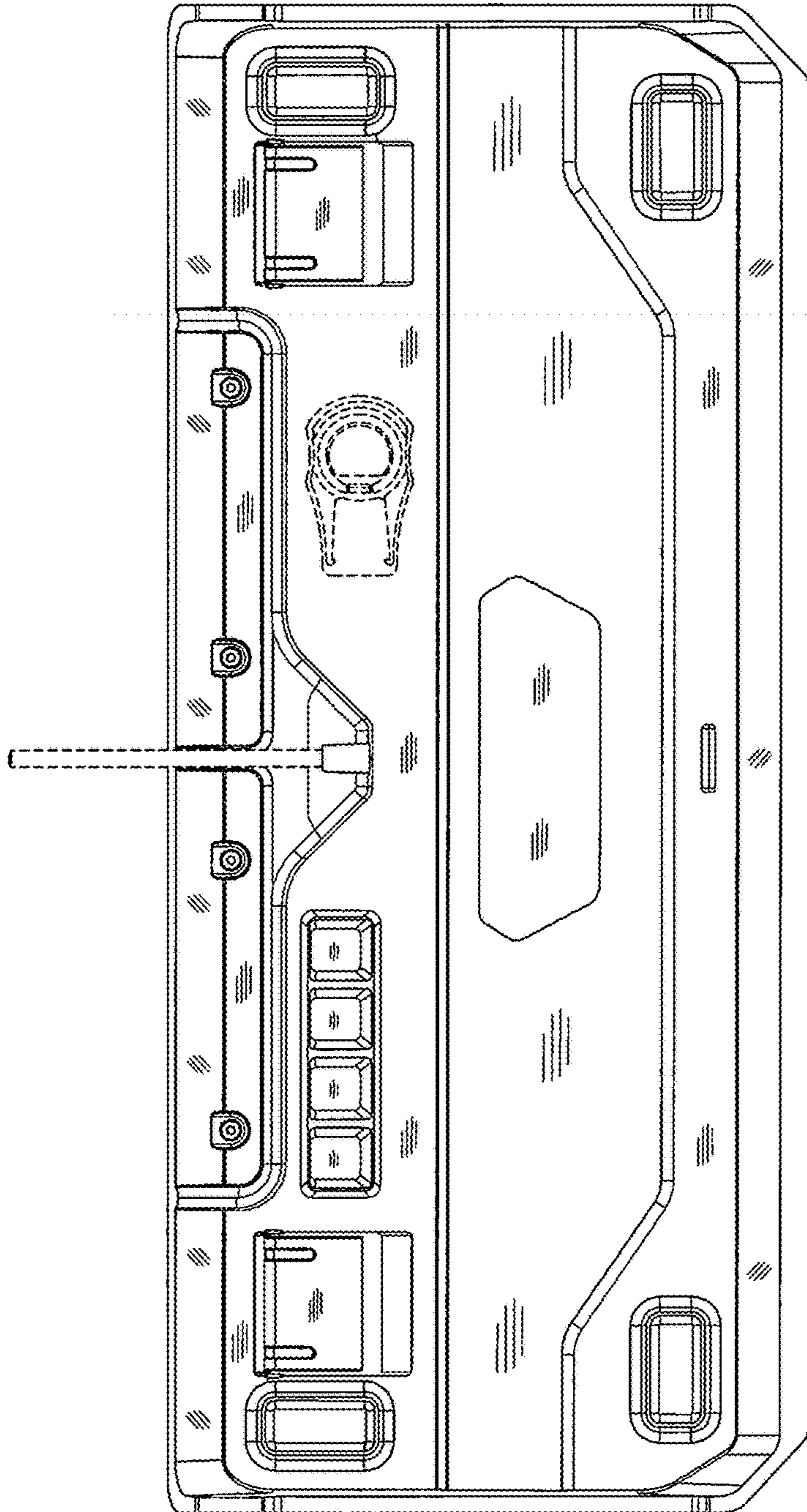


FIG.3

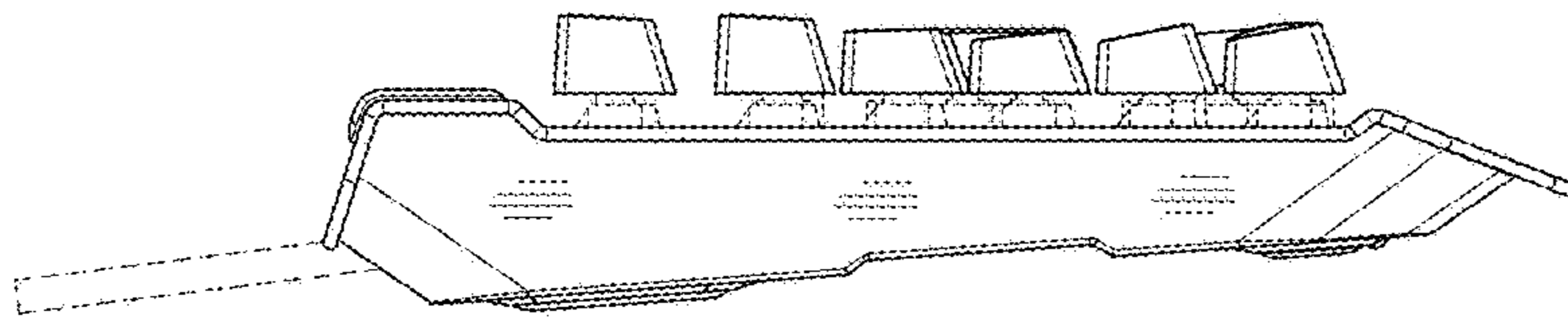


FIG.4

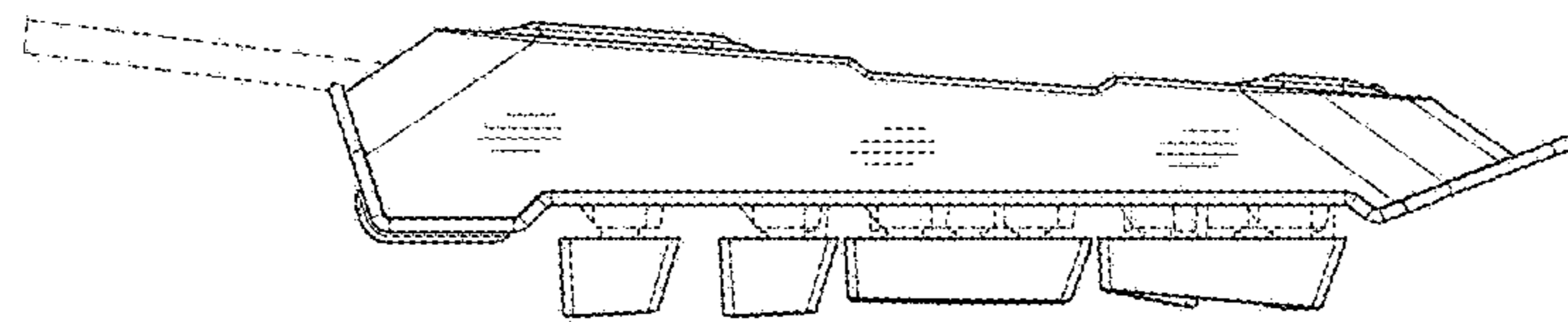


FIG.5

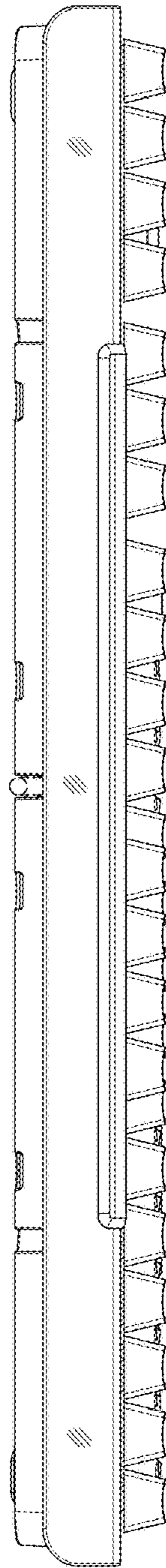


FIG.6

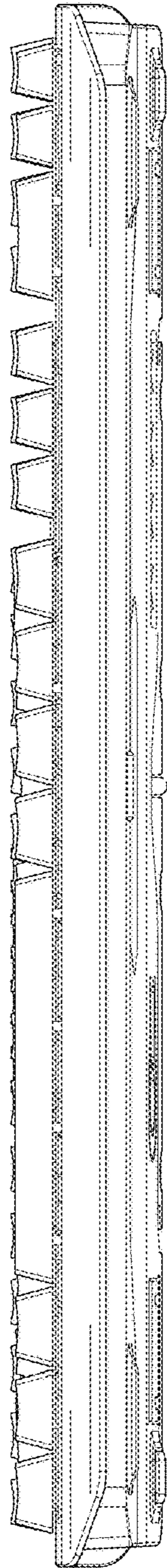


FIG.7