



US00D838720S

(12) **United States Design Patent**
Grundström

(10) **Patent No.:** **US D838,720 S**

(45) **Date of Patent:** **** Jan. 22, 2019**

(54) **DISPLAY**
(71) Applicant: **Evoko Unlimited AB**, Nacka (SE)
(72) Inventor: **Joel Grundström**, Umeå (SE)
(73) Assignee: **Evoko Unlimited AB**, Nacka (SE)
(**) Term: **15 Years**

8,654,526 B2 * 2/2014 Wu H04N 5/64
248/188
D710,847 S * 8/2014 Ozolins D14/128
D717,805 S * 11/2014 Sang D14/448
D741,275 S * 10/2015 Huh D14/126
2005/0050784 A1 * 3/2005 Bang F16M 11/22
40/607.01
2007/0047188 A1 * 3/2007 Kim F16M 11/22
361/679.22

(21) Appl. No.: **29/615,816**
(22) Filed: **Aug. 31, 2017**

* cited by examiner

Primary Examiner — Freda S Nunn

(30) **Foreign Application Priority Data**

(74) *Attorney, Agent, or Firm* — Studebaker & Brackett
PC

Apr. 10, 2017 (EM) 003850775

(51) **LOC (11) Cl.** **14-02**
(52) **U.S. Cl.**
USPC **D14/374**

(57) **CLAIM**

The ornamental design for display, as shown and described.

(58) **Field of Classification Search**
USPC D14/371–375, 125–129, 336, 337, 239;
D6/300, 308; D19/113, 114; D20/10;
D24/167, 185, 186
CPC G09F 15/0025; G09F 15/0062; G09F
15/0068; G06F 1/16; G06F 1/1613; G06F
1/133308; G06F 1/1601; G06F 3/037;
G06F 1/162; F16M 11/02; F16M 11/10;
F16M 11/00; F16M 11/06; F16M 11/18;
F16M 11/22; F16M 11/24; F16M 11/38;
F16M 11/045; F16M 11/105; F16M
11/041; F16M 11/126; F16M 11/04;
F16M 13/02; A47F 5/00; H04N 5/64
See application file for complete search history.

DESCRIPTION

FIG. 1 is a front perspective view showing my new design for display,
FIG. 2 is a front view thereof,
FIG. 3 is a rear view thereof,
FIG. 4 is a left side view thereof,
FIG. 5 is a right side view thereof,
FIG. 6 is a top view thereof; and,
FIG. 7 is a bottom view thereof.

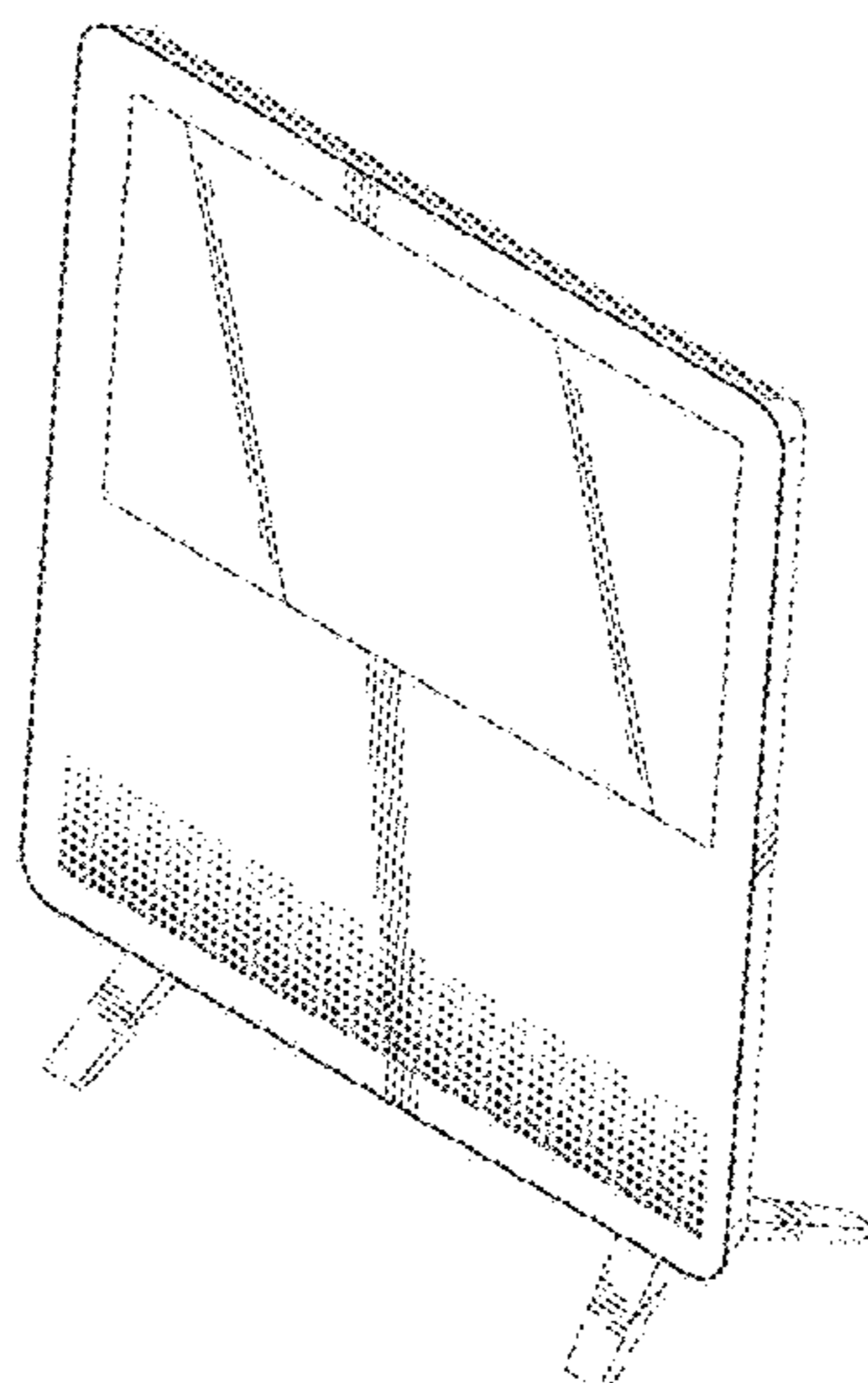
The broken lines shown in the drawings form no part of the claimed design.

(56) **References Cited**

U.S. PATENT DOCUMENTS

7,703,736 B2 * 4/2010 Oh F16M 11/38
16/221
D634,722 S * 3/2011 Kim D14/126
8,390,996 B2 * 3/2013 Park F16M 11/24
248/917

1 Claim, 7 Drawing Sheets



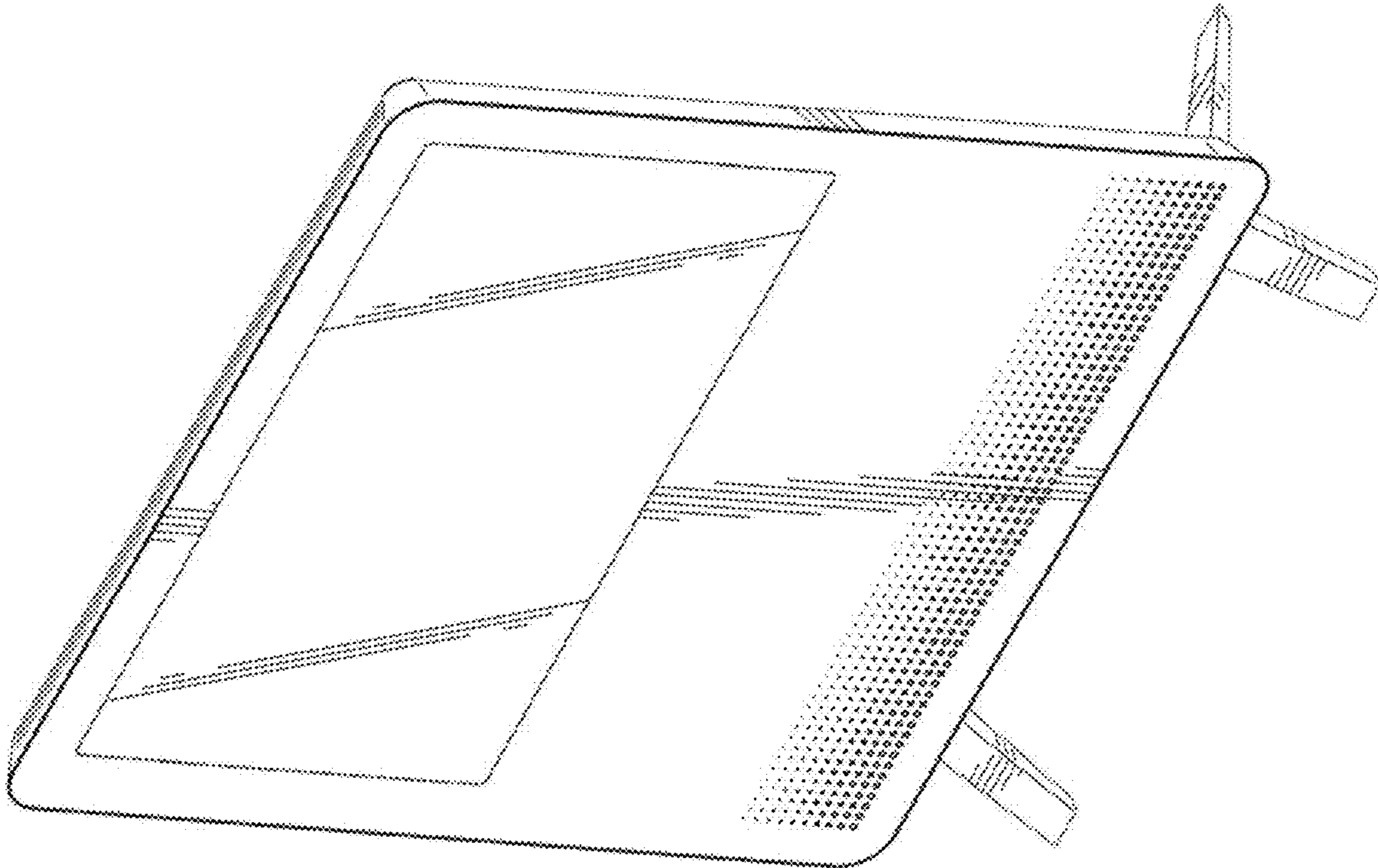


FIG. 1

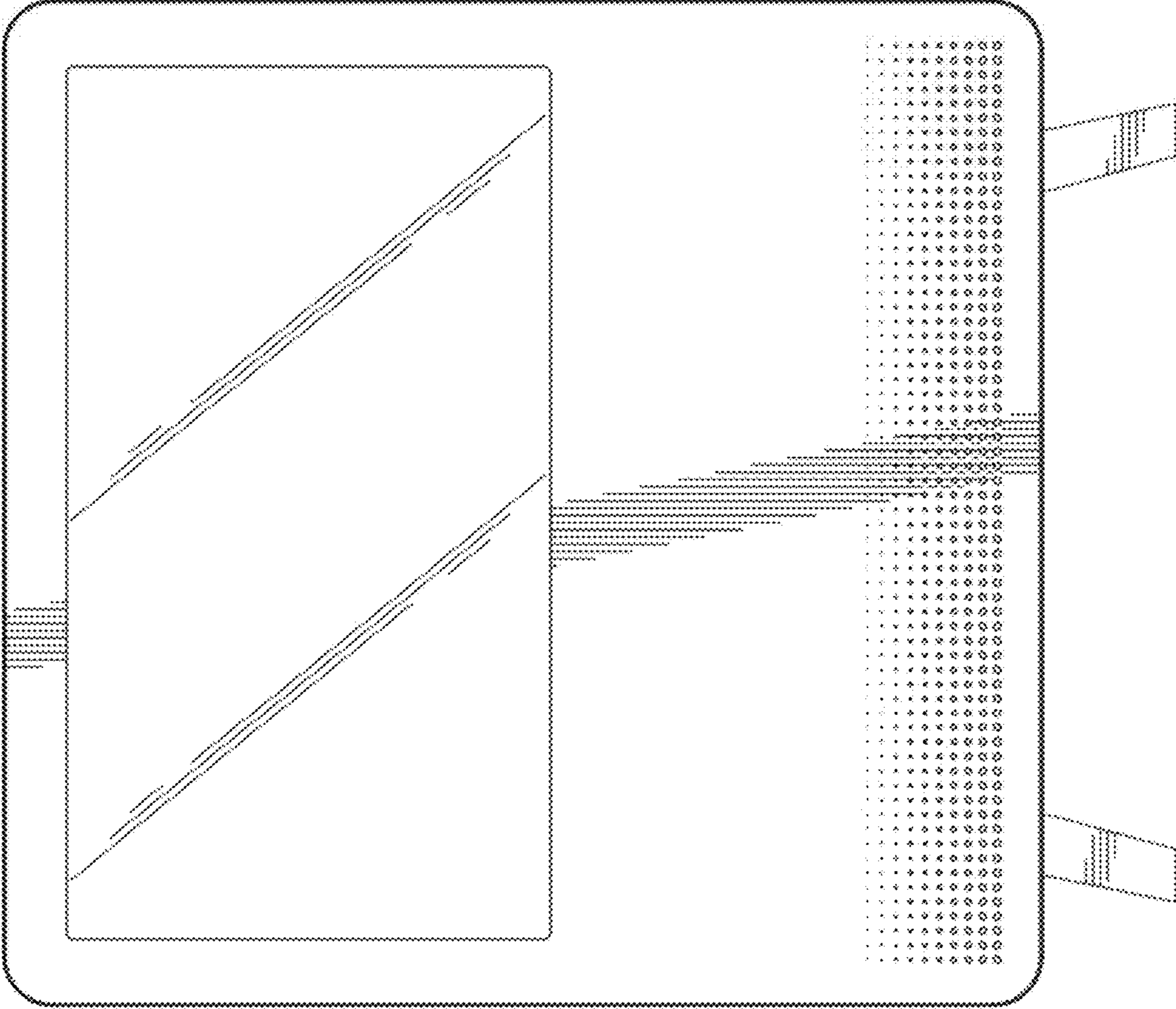


FIG. 2

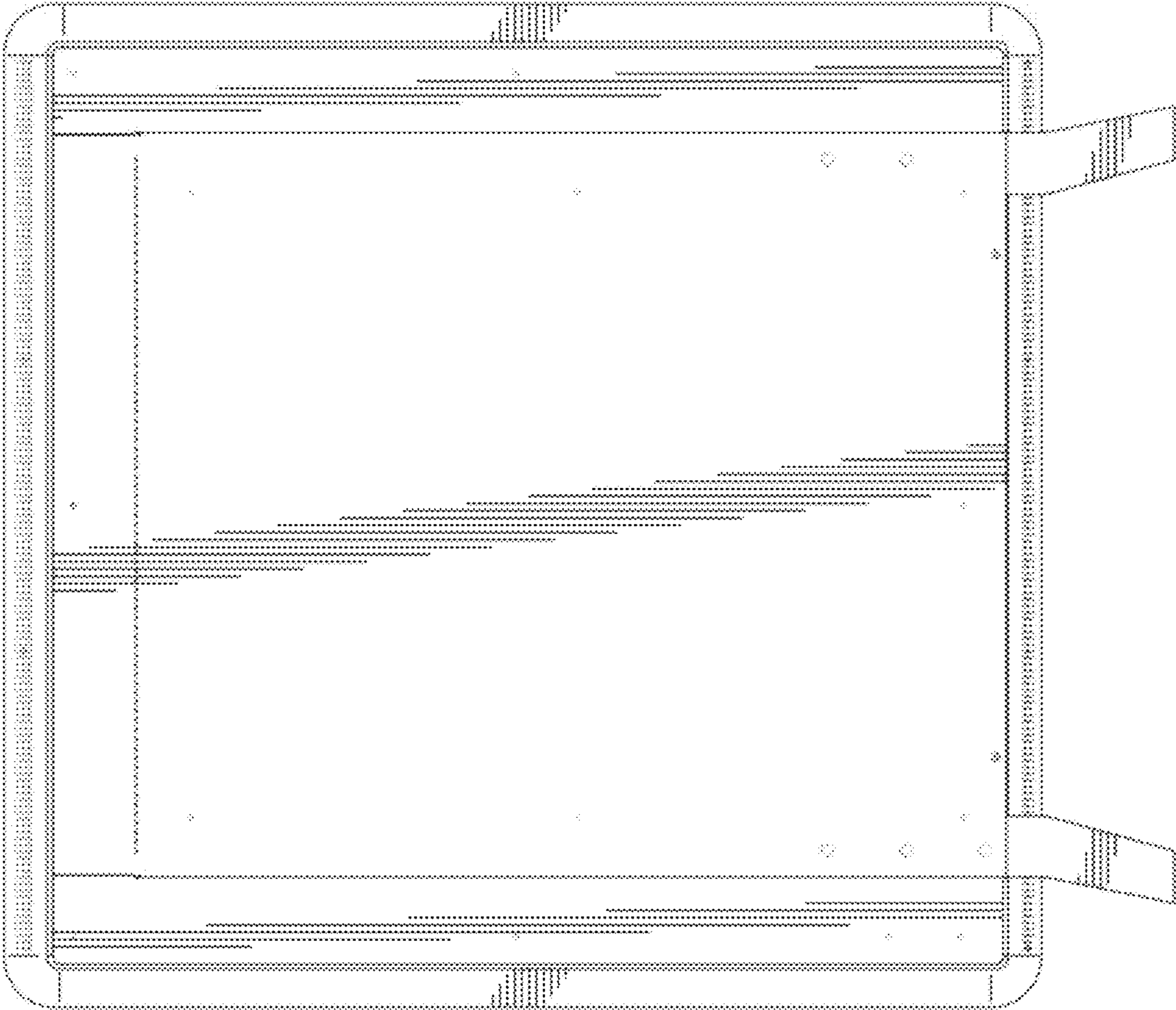


FIG. 3

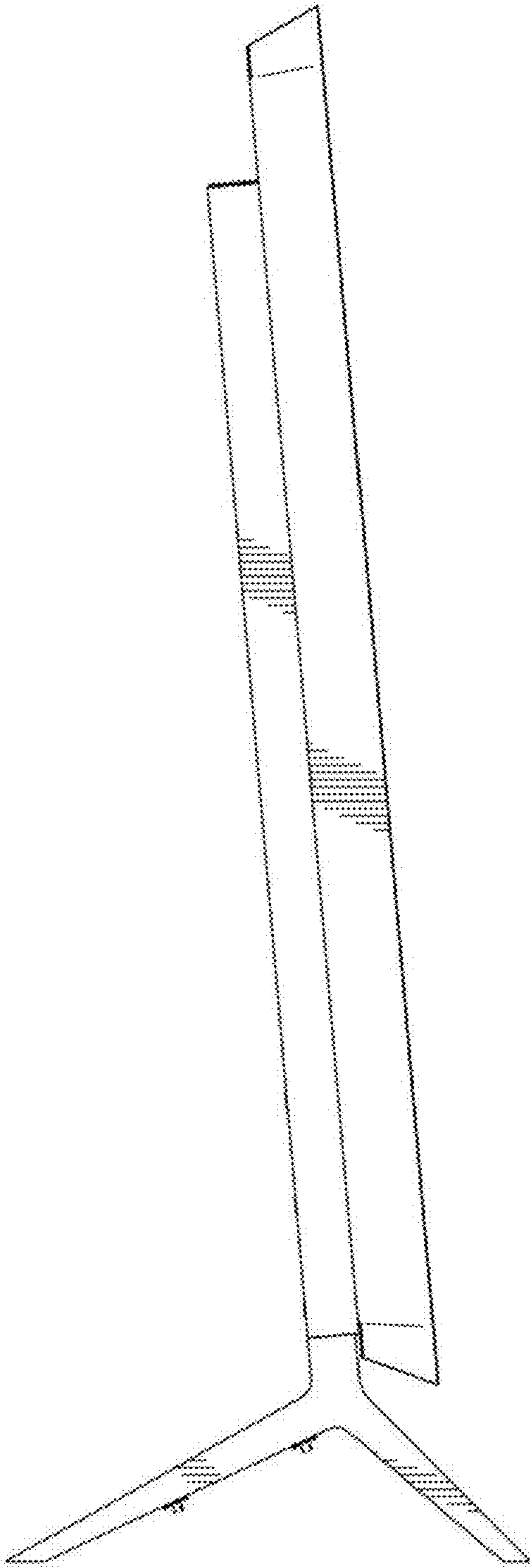
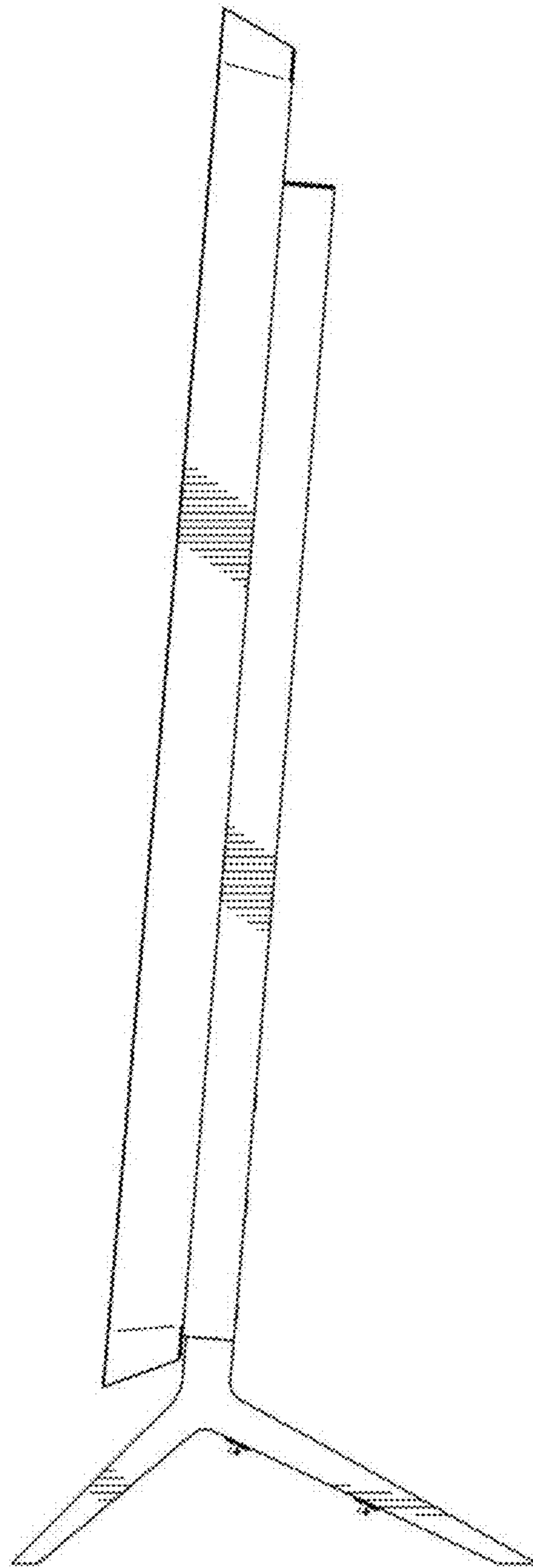


FIG. 4

FIG. 5



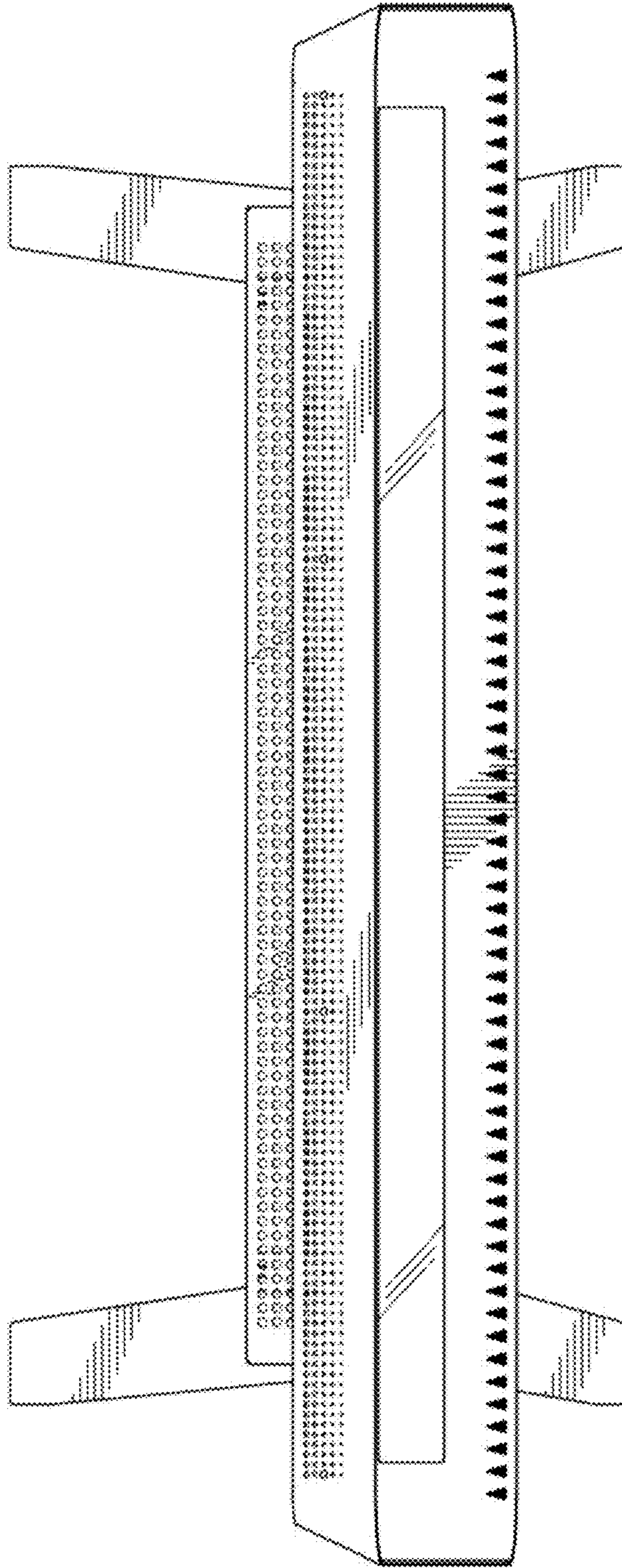


FIG. 6

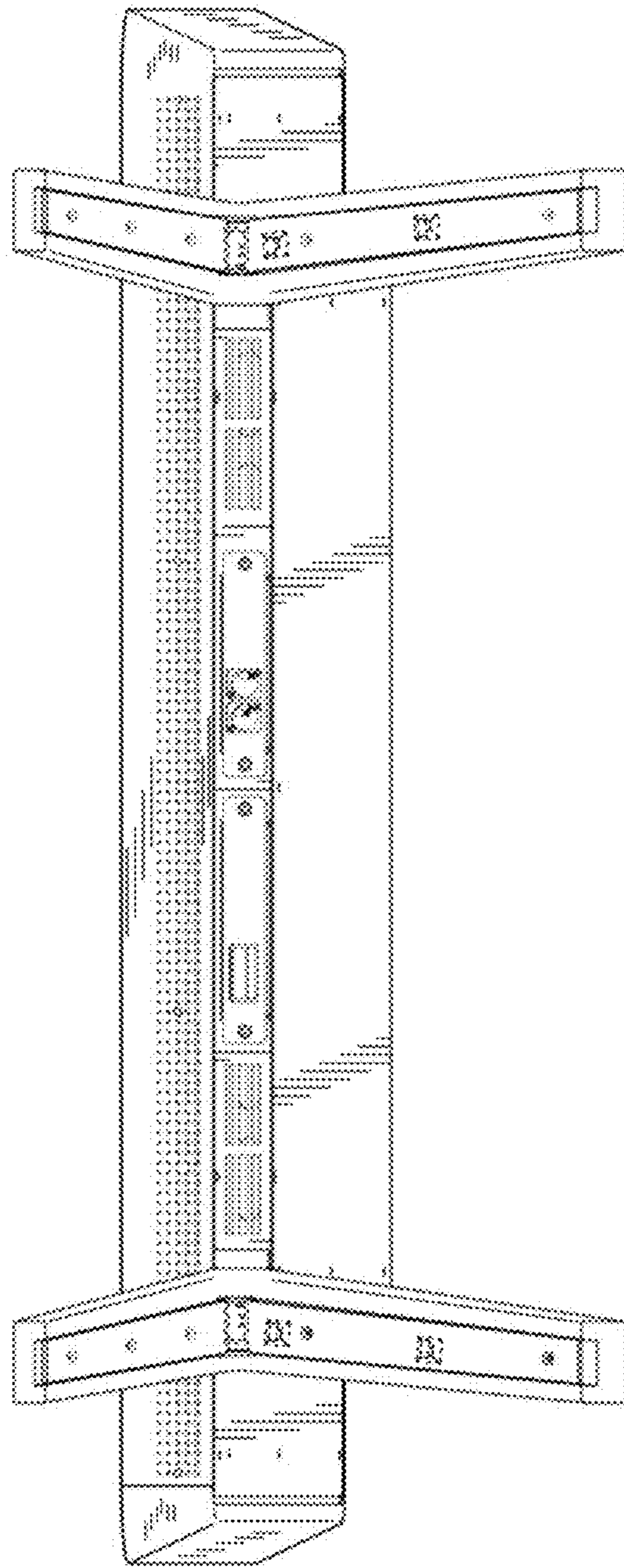


FIG. 7