



US00D838718S

(12) **United States Design Patent**
Chiang et al.

(10) **Patent No.:** **US D838,718 S**
(45) **Date of Patent:** **** Jan. 22, 2019**

(54) **DISPLAY DEVICE**

(71) Applicant: **HTC Corporation**, Taoyuan (TW)

(72) Inventors: **Meng-Sheng Chiang**, Taoyuan (TW);
Lee-Wei Chen, Taoyuan (TW);
Yien-Chun Kuo, Taoyuan (TW);
Hung-Yu Chen, Taoyuan (TW)

(73) Assignee: **HTC Corporation**, Taoyuan (TW)

(**) Term: **15 Years**

(21) Appl. No.: **29/646,754**

(22) Filed: **May 7, 2018**

Related U.S. Application Data

(62) Division of application No. 29/605,494, filed on May 26, 2017.

(51) **LOC (11) Cl.** **14-02**

(52) **U.S. Cl.**
USPC **D14/372**

(58) **Field of Classification Search**
USPC D14/372, 496, 432, 371, 125, 126, 129,
D14/299; D16/300-342; 351/158, 153,
351/144; 345/7-9, 905; 455/344;
348/115, 53, 121, 739
CPC G02B 27/017; G02B 27/0158; G02B
27/0161; G02B 27/0181; G02B 27/0185;
G02B 27/0189
See application file for complete search history.

(56) **References Cited**

U.S. PATENT DOCUMENTS

D727,896 S 4/2015 Lалуque
D732,028 S 6/2015 Kim et al.
D741,860 S 10/2015 Bosveld et al.
D759,654 S 6/2016 Sullivan et al.
D761,257 S 7/2016 Passmore et al.

D764,456 S 8/2016 Akana et al.
D776,110 S 1/2017 Gribetz et al.
D785,619 S 5/2017 Su
D798,298 S 9/2017 Haber et al.
D798,862 S * 10/2017 Wang D14/372
D805,071 S 12/2017 Park et al.
D805,074 S 12/2017 Hu et al.
D807,356 S * 1/2018 Chou D14/372
D807,357 S * 1/2018 Wu D14/372
D810,081 S * 2/2018 Lin D14/372
D810,743 S * 2/2018 Yee D14/372
D812,612 S * 3/2018 Gribetz D14/372
D813,233 S 3/2018 Lee et al.
D815,637 S * 4/2018 Li D14/372
D816,670 S * 5/2018 Hsu D14/372

(Continued)

FOREIGN PATENT DOCUMENTS

JP 1566663 S 1/2017
JP 1568758 S 2/2017

Primary Examiner — Austin Murphy

(74) *Attorney, Agent, or Firm* — Birch, Stewart, Kolasch & Birch, LLP

(57) **CLAIM**

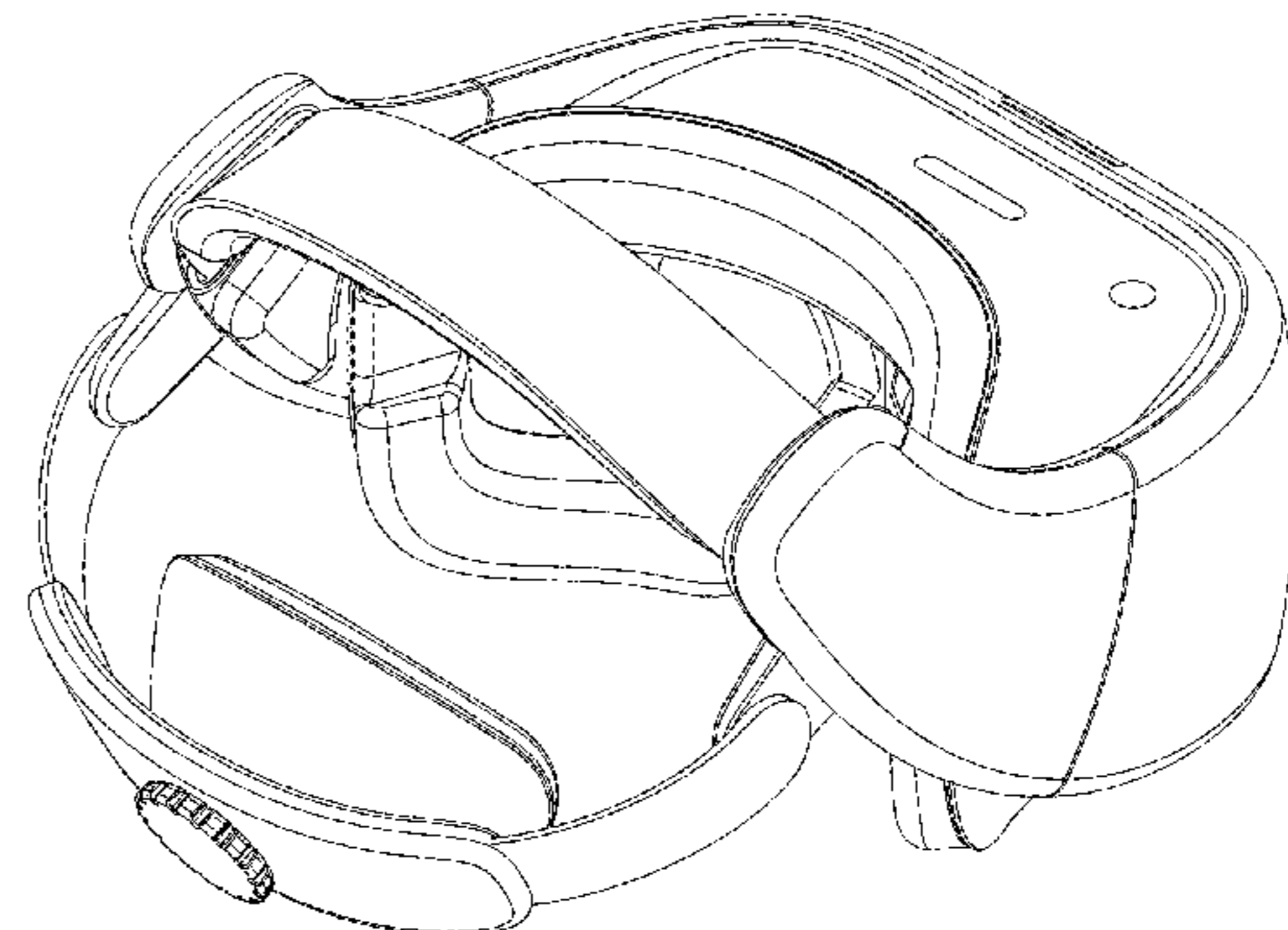
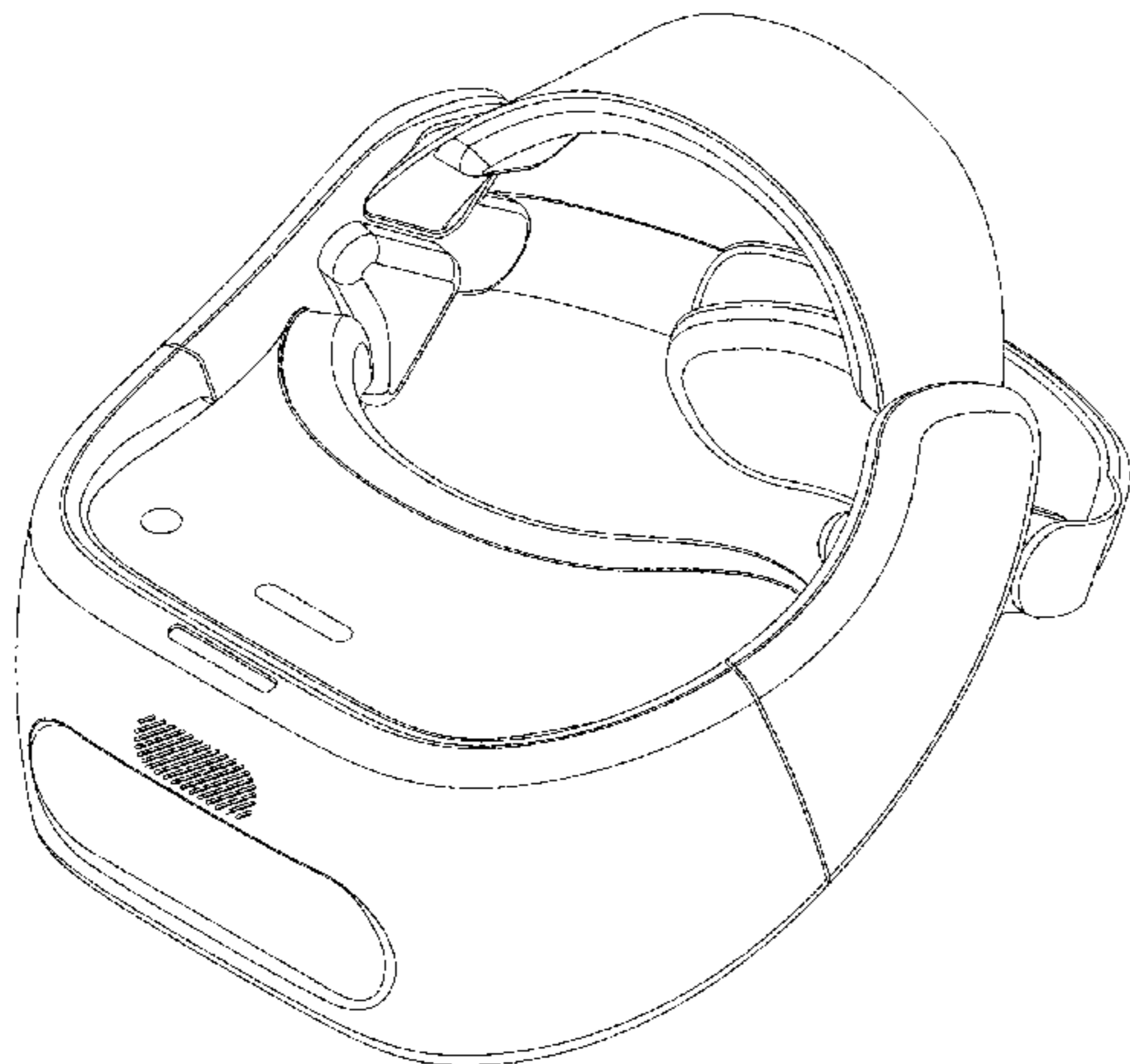
The ornamental design for display device, as shown and described.

DESCRIPTION

FIGS. 1-1 to 1-8 are front perspective view, front view, rear view, left view, right view, top plan view, bottom plan view, and rear perspective view of an embodiment of a display device, such as a head mounted display, a virtual reality display, an augmented reality display, or a mixed reality display, in accordance with our new design.

The broken lines immediately adjacent the claimed areas represent the bounds of the claimed design while all other broken lines are directed to environment and are for illustrative purposes only. The broken lines form no part of the claimed design.

1 Claim, 6 Drawing Sheets



(56)

References Cited

U.S. PATENT DOCUMENTS

D820,259 S *	6/2018	Lee	D14/372
D823,855 S *	7/2018	Robertson	D14/372
D825,560 S *	8/2018	Gribetz	D14/372
D825,561 S *	8/2018	Gribetz	D14/372

* cited by examiner

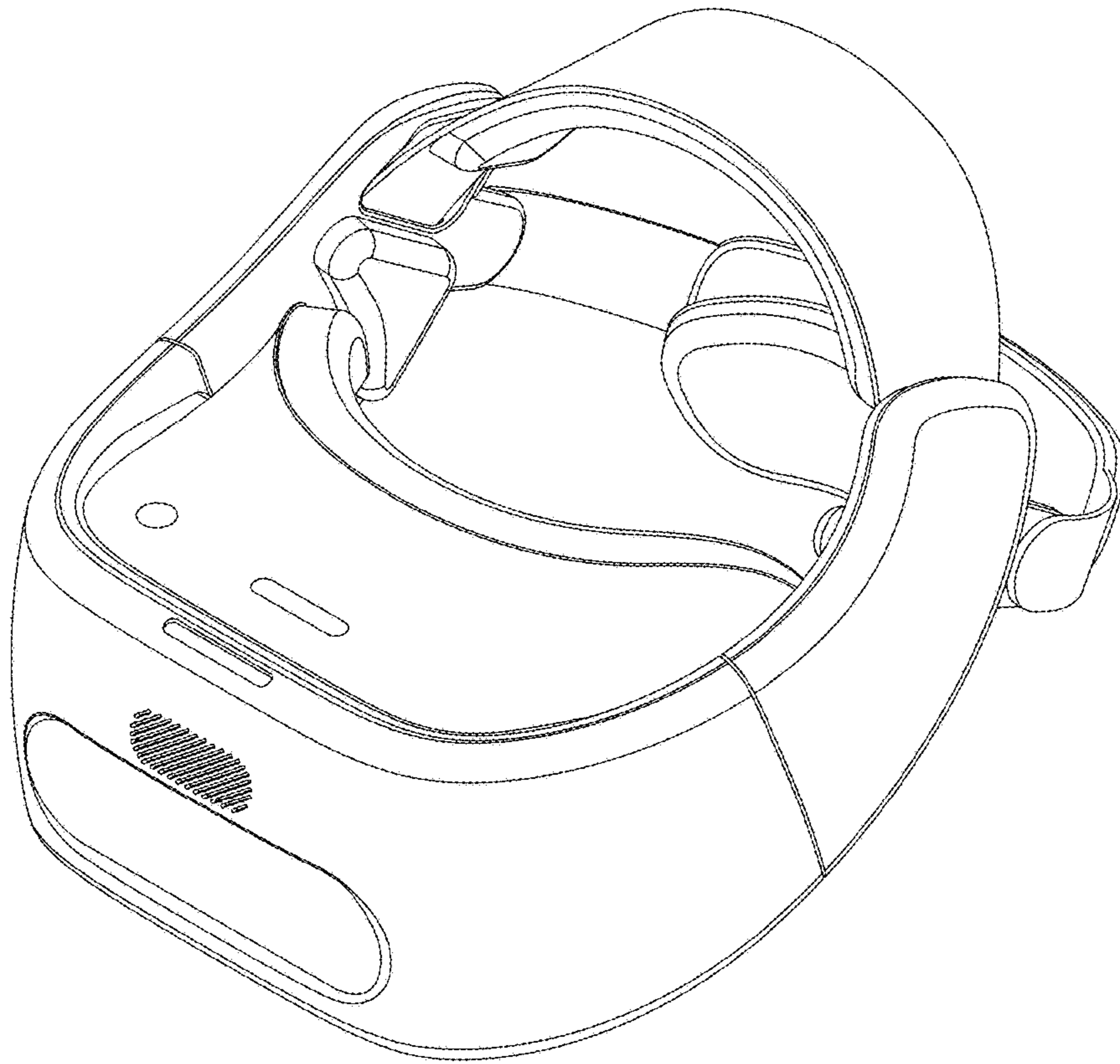


FIG. 1-1

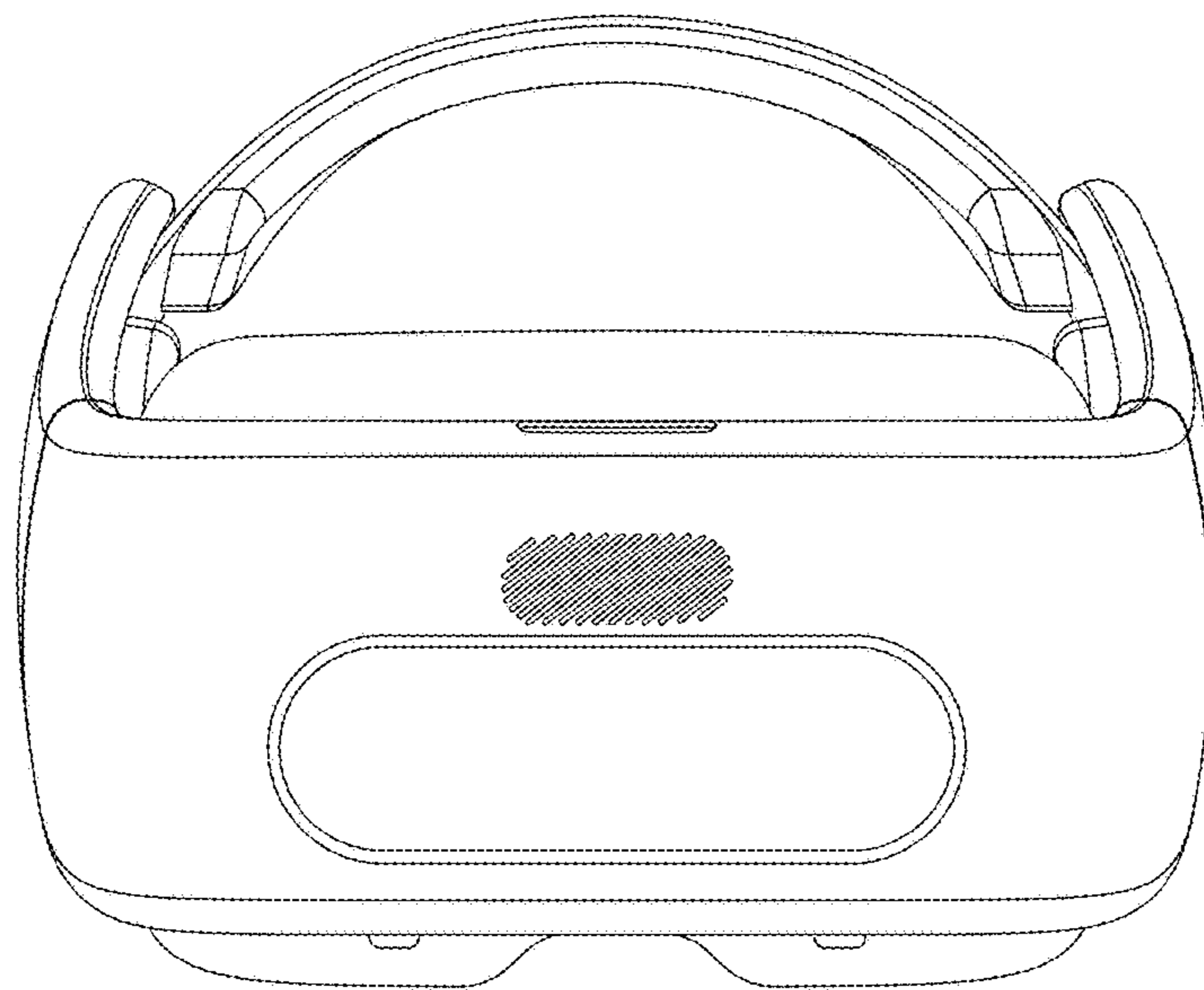


FIG. 1-2

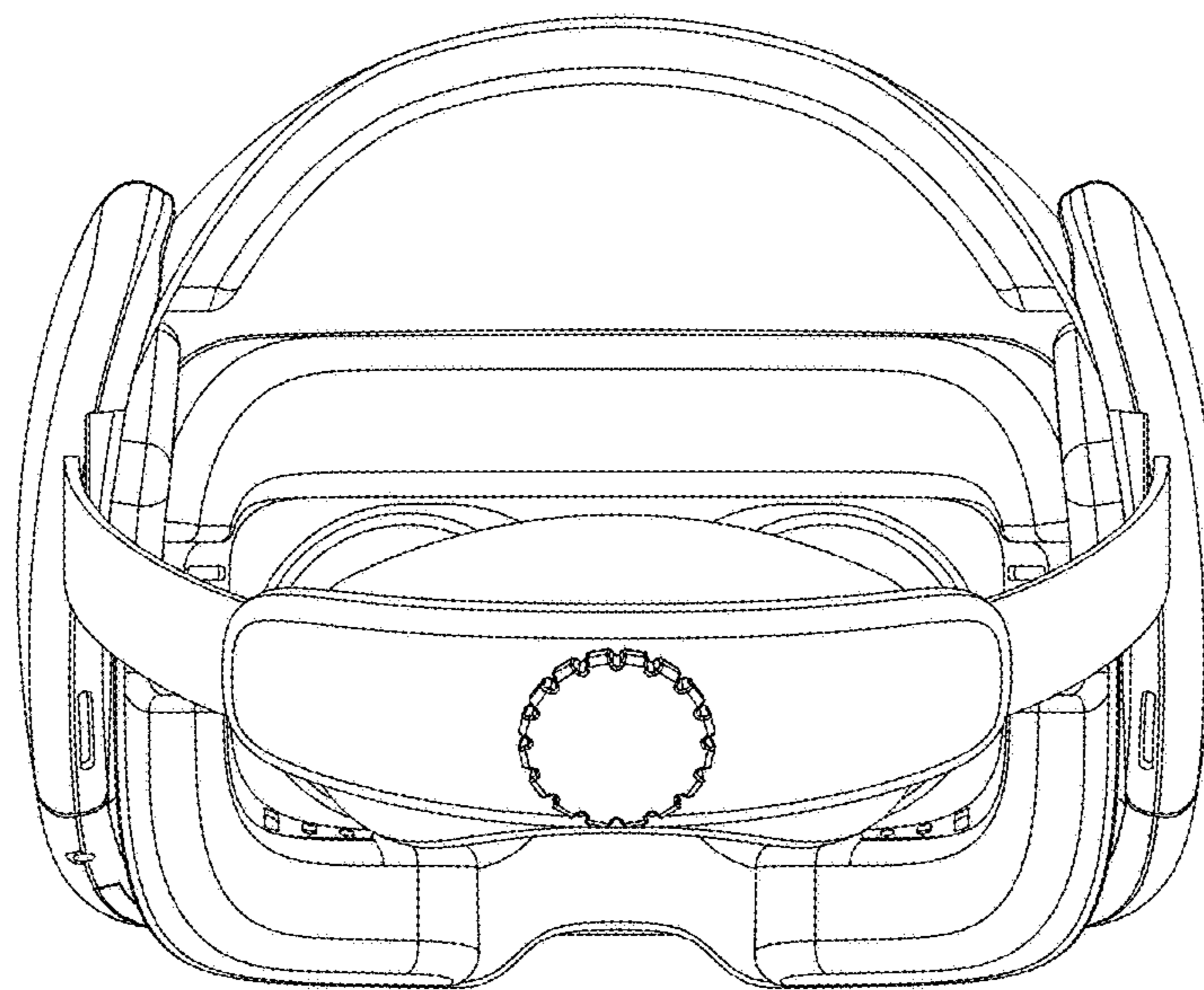


FIG. 1-3

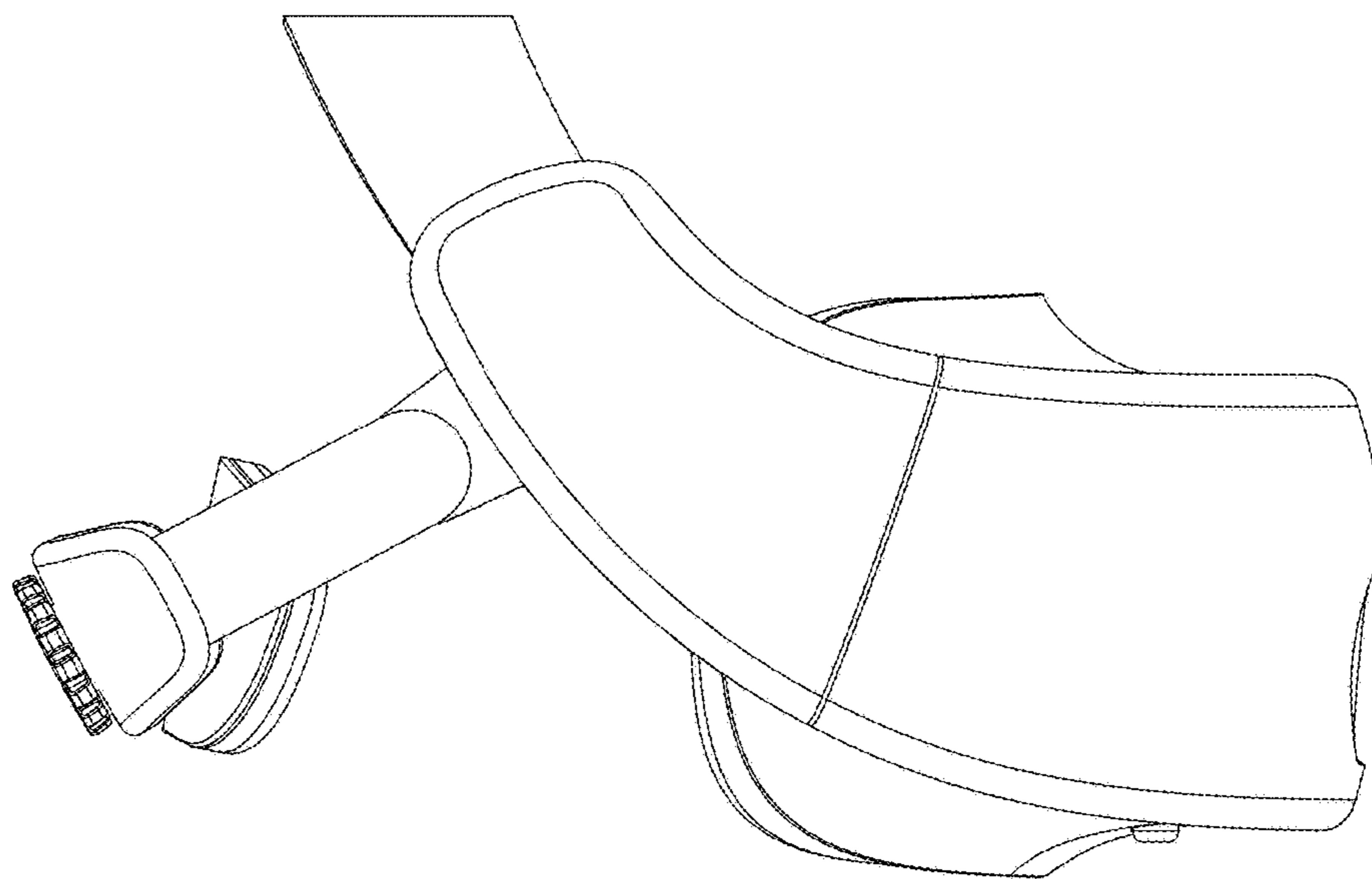


FIG. 1-4

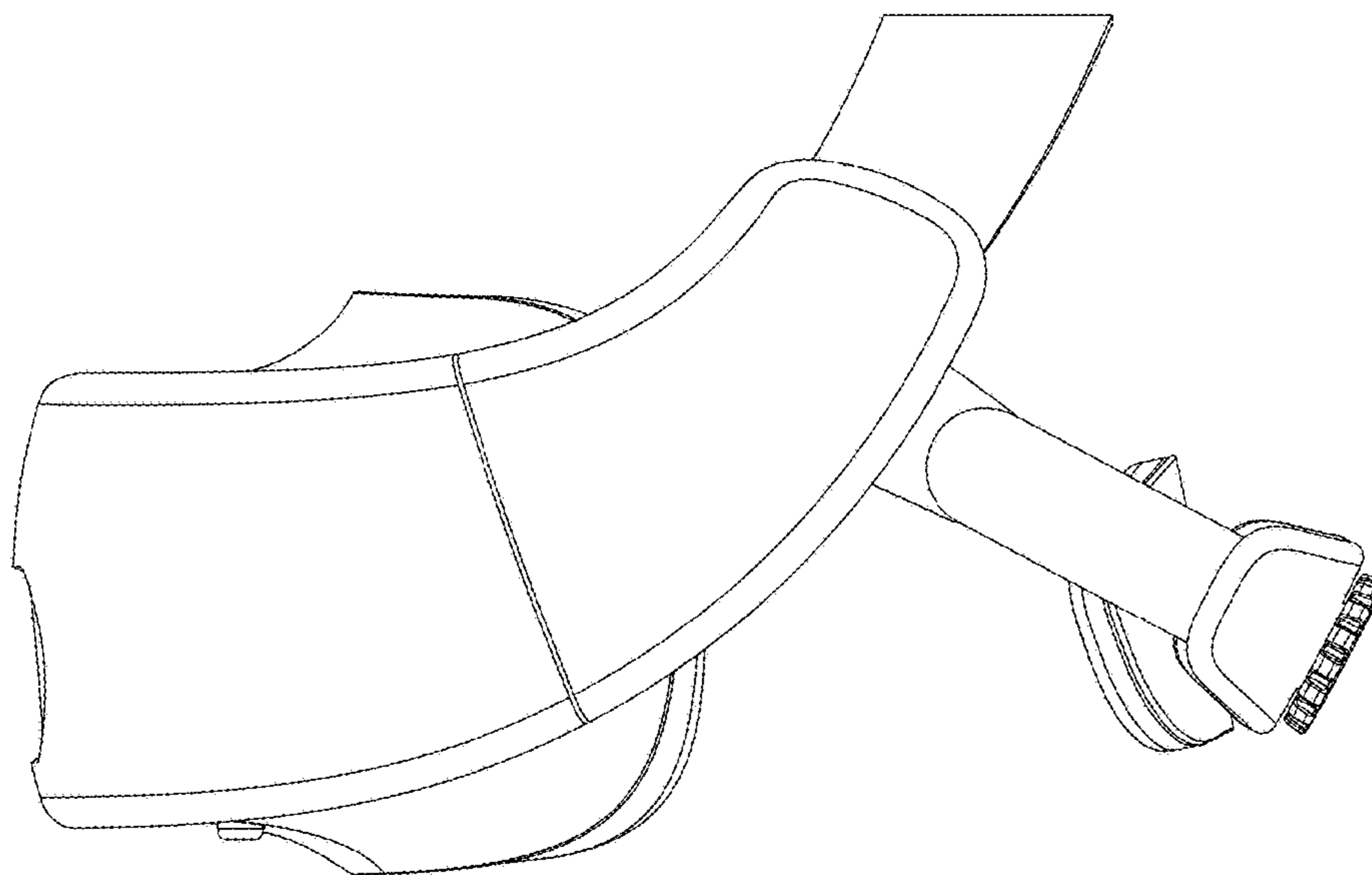


FIG. 1-5

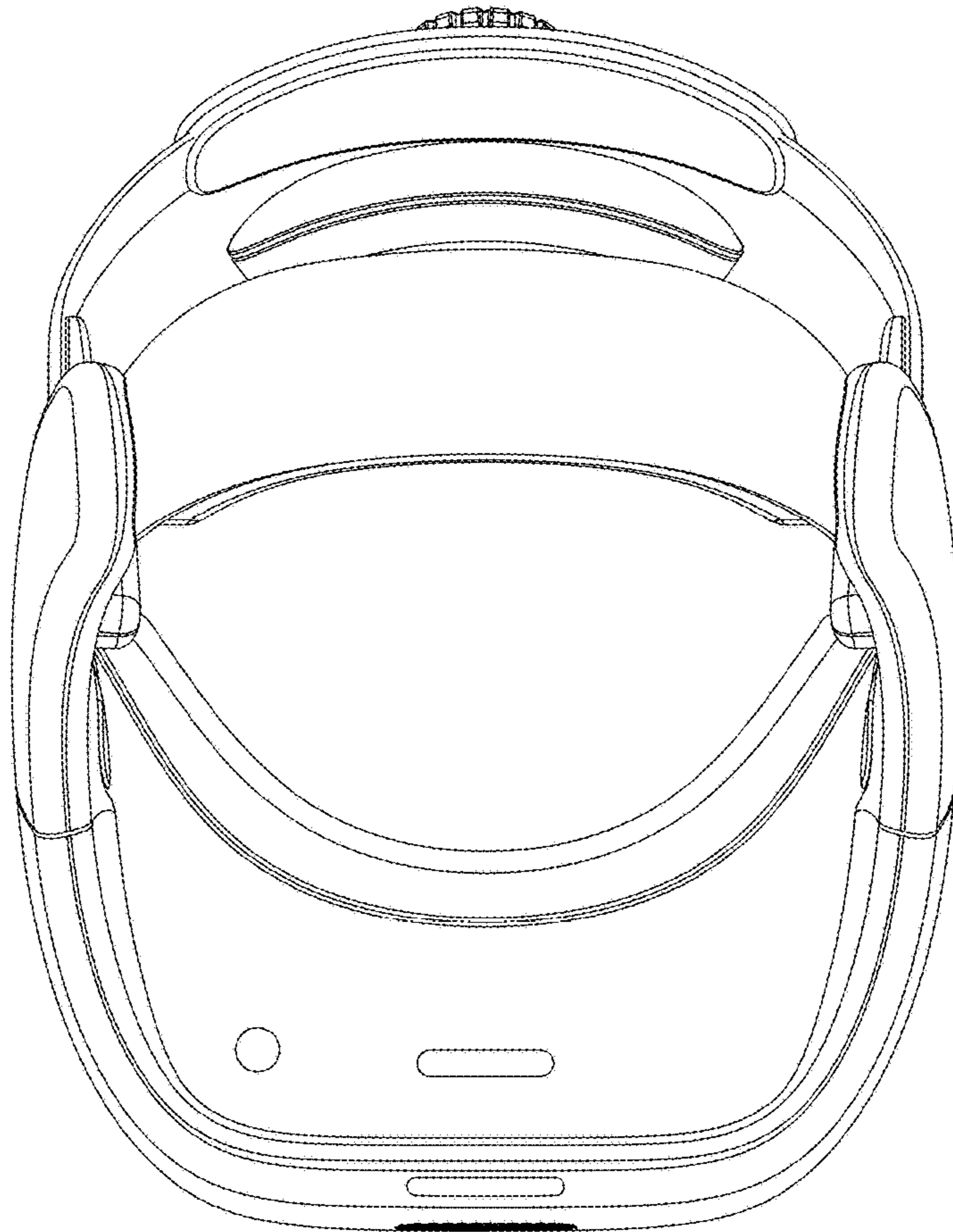


FIG. 1-6

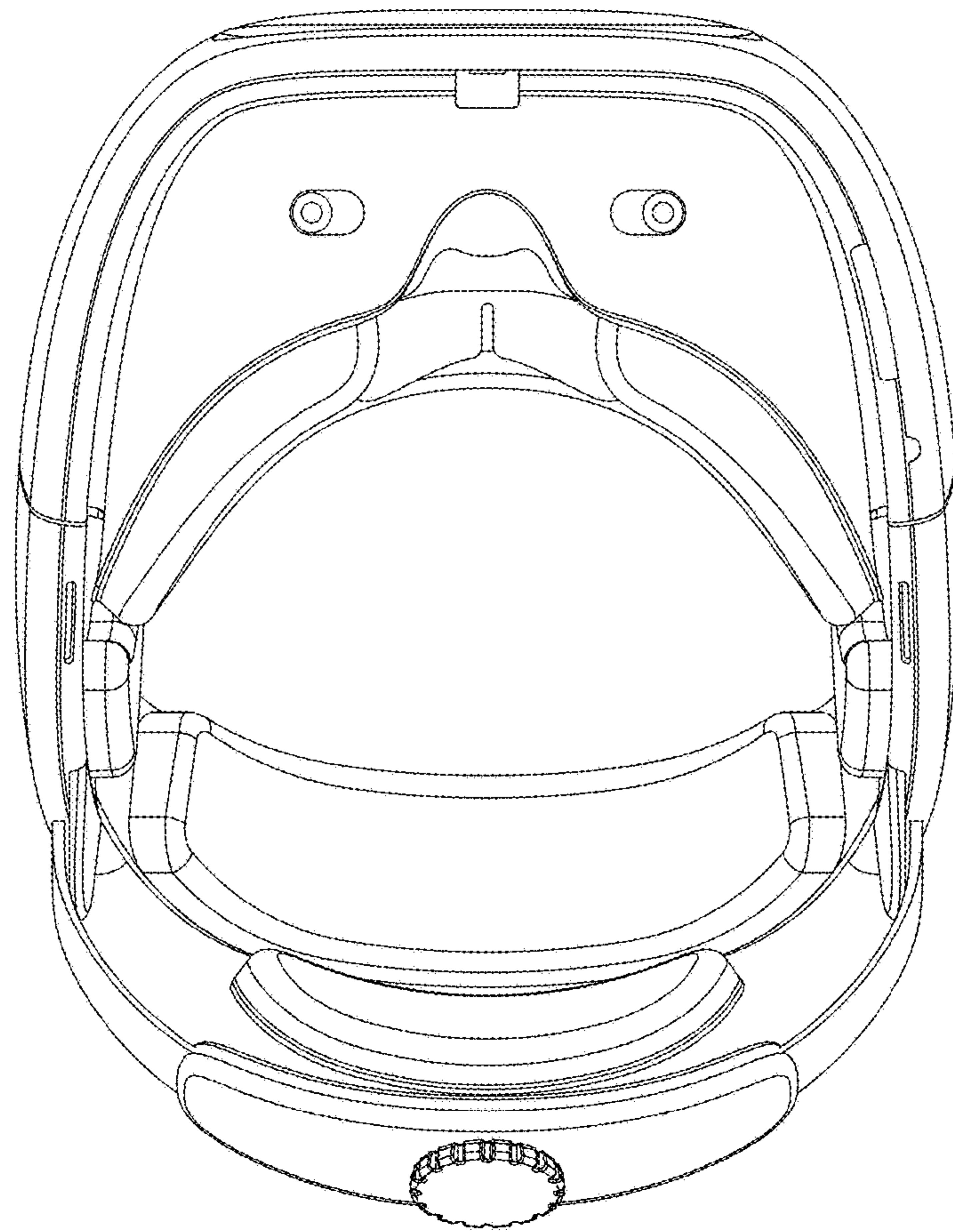


FIG. 1-7

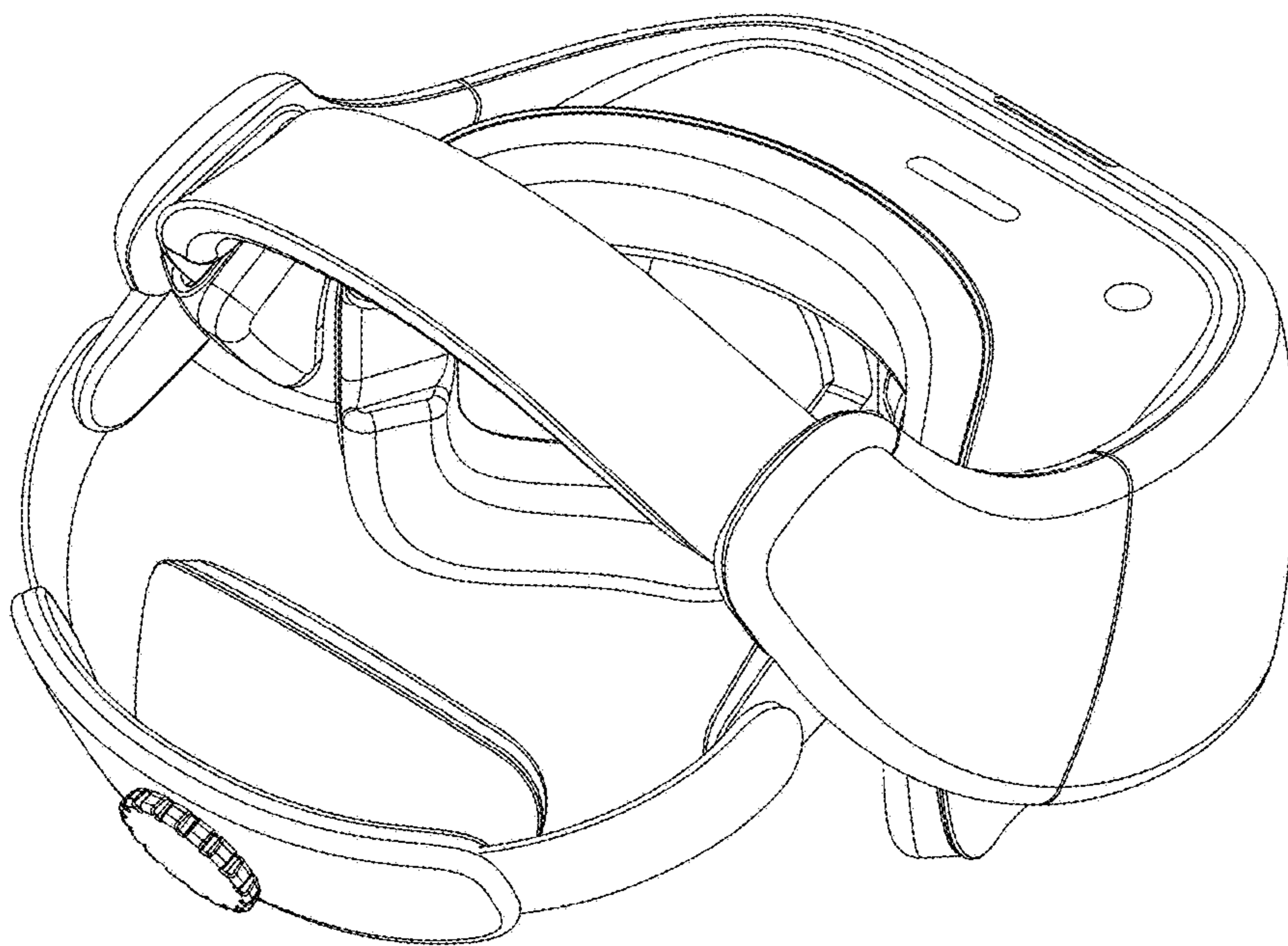


FIG. 1-8