



US00D838716S

(12) **United States Design Patent**
Teng et al.

(10) **Patent No.:** **US D838,716 S**
(45) **Date of Patent:** **** Jan. 22, 2019**

- (54) **SMART WATCH**
- (71) Applicant: **Lite-On Technology Corporation,**
Taipei (TW)
- (72) Inventors: **Jun-Wen Teng,** Taipei (TW);
Chieh-Hung Chen, Taipei (TW)
- (73) Assignee: **Lite-On Technology Corporation,**
Taipei (TW)
- (**) Term: **15 Years**
- (21) Appl. No.: **29/614,762**
- (22) Filed: **Aug. 23, 2017**
- (51) **LOC (11) Cl.** **14-02**
- (52) **U.S. Cl.**
USPC **D14/344**
- (58) **Field of Classification Search**
USPC D14/138 r, 144, 341, 344, 358, 388, 218;
D10/30-39, 70, 98; D11/3, 4, 26, 93-94,
D11/78.1, 79, 86; D24/167, 169,
D24/186-187, 164
CPC A41D 1/002; A41D 19/0034; G06F 1/04;
G06F 1/08; G06F 1/10; G06F 1/14; G06F
1/1626; G06F 1/1628; G06F 1/163; G06F
1/1635; G06F 1/3203; G06Q 20/10;
G06Q 20/12; G06Q 20/108; G06Q
20/145; H04B 1/3833; H04B 1/385;
H04B 1/3888; H04M 1/02; H04M 1/03;
H04M 1/04; H04M 1/05; H04M 1/667;
H04M 1/6058; Y02B 60/1217
See application file for complete search history.

(56) **References Cited**

U.S. PATENT DOCUMENTS

- D540,205 S * 4/2007 Hsu D10/65
- D650,706 S * 12/2011 Zanella D10/32
- D765,072 S * 8/2016 Kwon D10/38
- D765,655 S * 9/2016 Tao D10/38
- 9,811,648 B2 * 11/2017 Choi G06F 21/32

- 9,859,937 B2 * 1/2018 Chien G04G 17/04
 - D809,510 S * 2/2018 Rochat D14/344
 - D813,058 S * 3/2018 Kanikananta D10/32
 - 9,939,787 B2 * 4/2018 Baek G04G 17/04
 - 9,971,313 B2 * 5/2018 Chung G04G 21/00
- (Continued)

FOREIGN PATENT DOCUMENTS

CN 201584997 U * 9/2010

OTHER PUBLICATIONS

Square-faced Motorola smartwatch images sighted online, posted Sep. 6, 2016, [retrieved Jul. 26, 2018]. Retrieved from Internet, <URL: <https://androidcommunity.com/square-faced-motorola-smartwatch-images-sighted-online-20160906/>>.*

(Continued)

Primary Examiner — Barbara Fox
Assistant Examiner — Kristin E Reed
(74) *Attorney, Agent, or Firm* — JCIPRNET

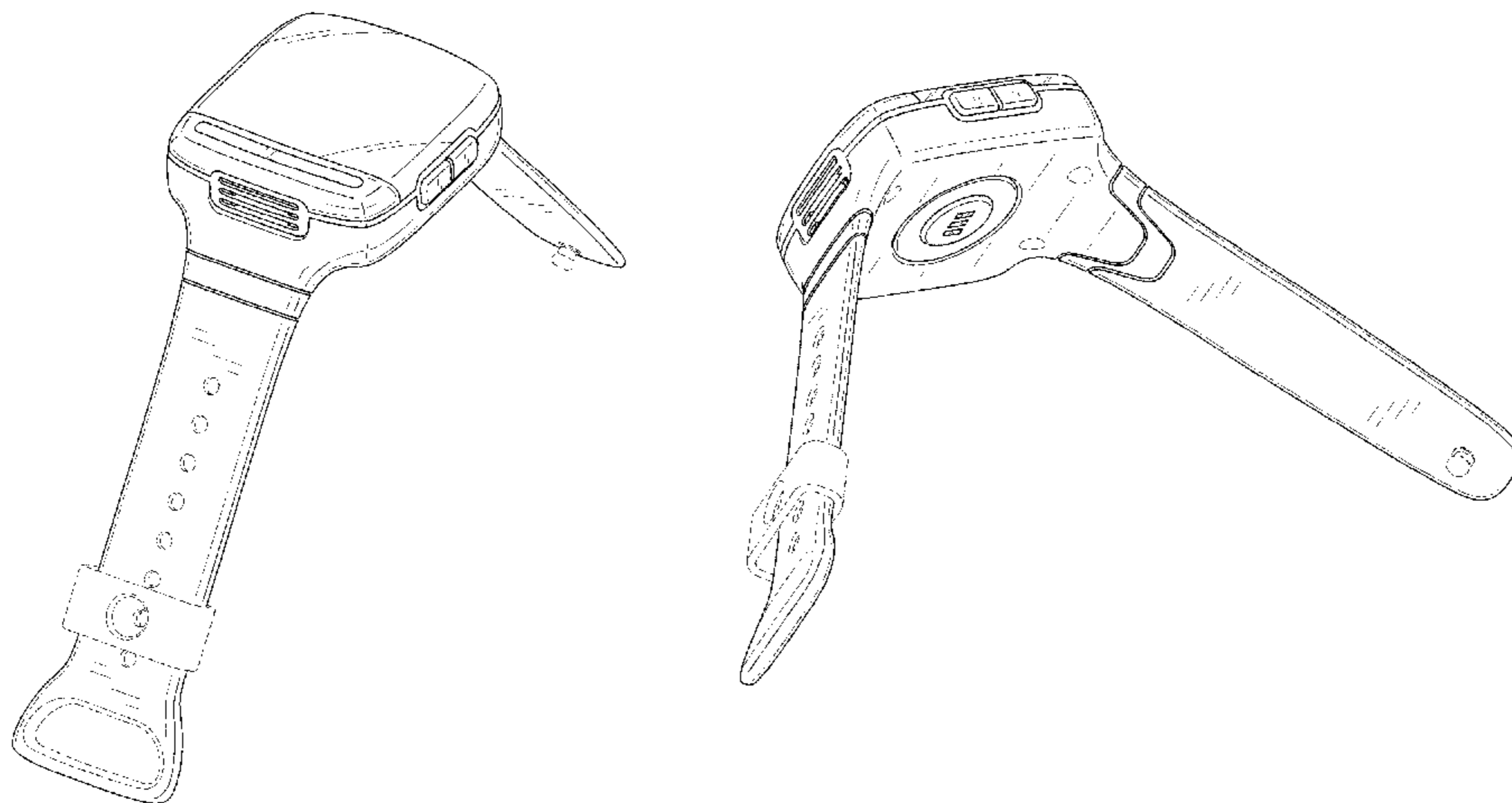
(57) **CLAIM**

The ornamental design for a smart watch, as shown and described.

DESCRIPTION

FIG. 1 is a perspective view of a smart watch showing our new design;
FIG. 2 is another perspective view thereof;
FIG. 3 is another perspective view thereof;
FIG. 4 is a front view thereof;
FIG. 5 is a rear view thereof;
FIG. 6 is a left side view thereof;
FIG. 7 is a right side view thereof;
FIG. 8 is a top view thereof; and,
FIG. 9 is a bottom view thereof.
The dashed broken lines depict portions of smart watch that form no part of the claimed design.

1 Claim, 7 Drawing Sheets



(56)

References Cited

U.S. PATENT DOCUMENTS

D824,033 S * 7/2018 Masuyama D24/167
10,019,067 B2 * 7/2018 Yoon G06F 3/017

OTHER PUBLICATIONS

Leapfrog LeapBand review, posted Aug. 4, 2014, [retrieved Jul. 26, 2018]. Retrieved from Internet, <URL: <https://www.techadvisor.co.uk/review/activity-trackers/leapfrog-leapband-review-3528179/>>.*

* cited by examiner

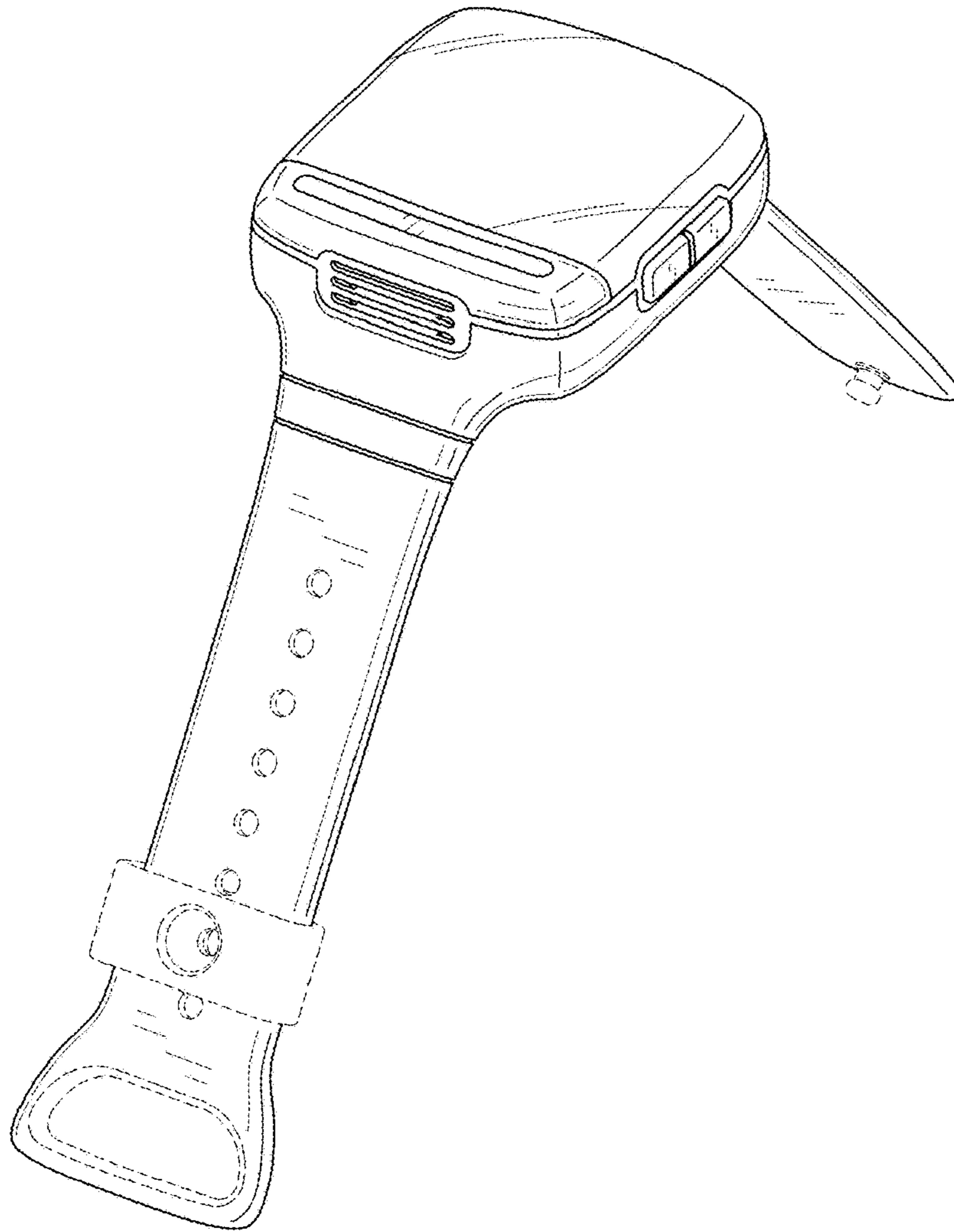


FIG. 1

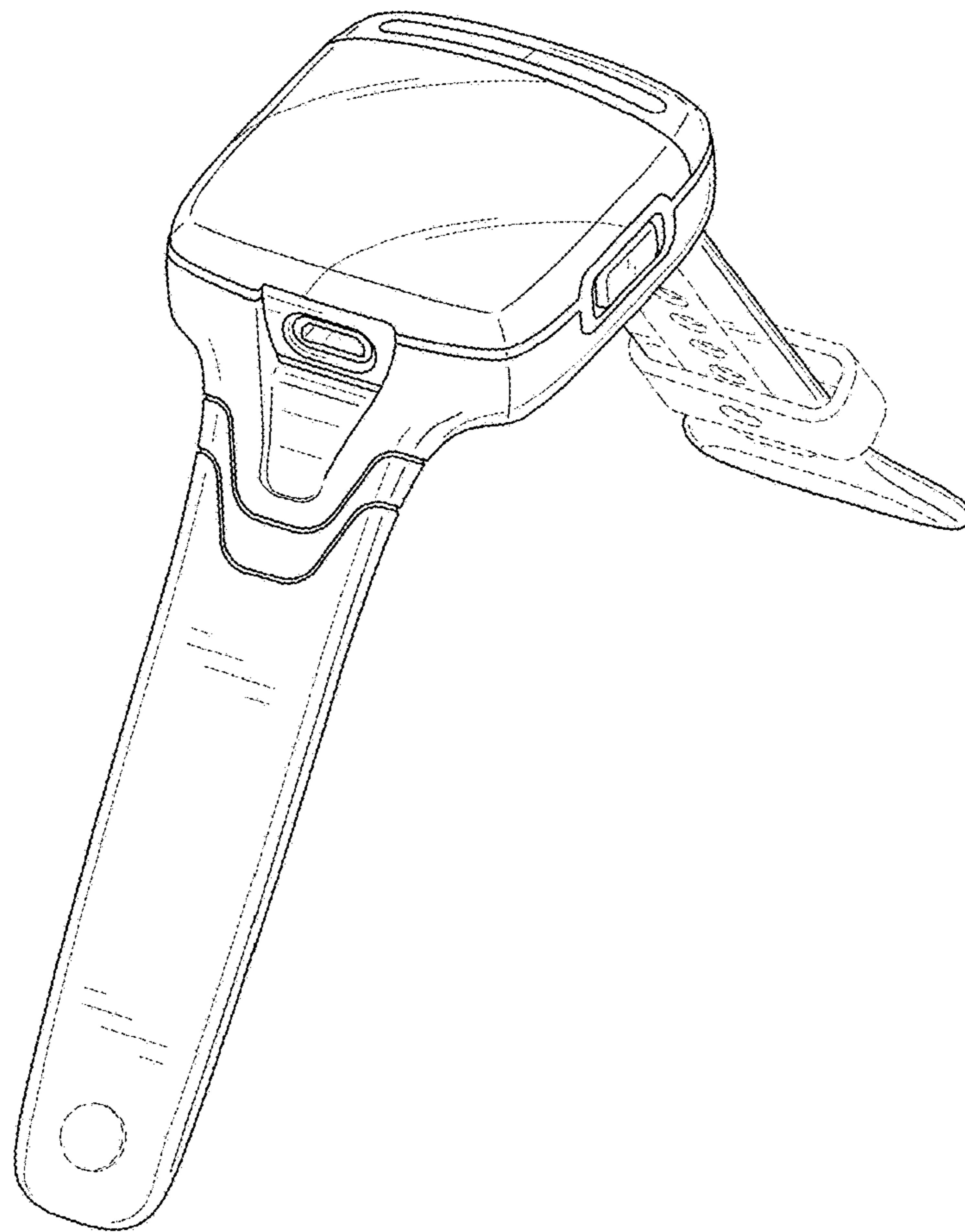


FIG. 2

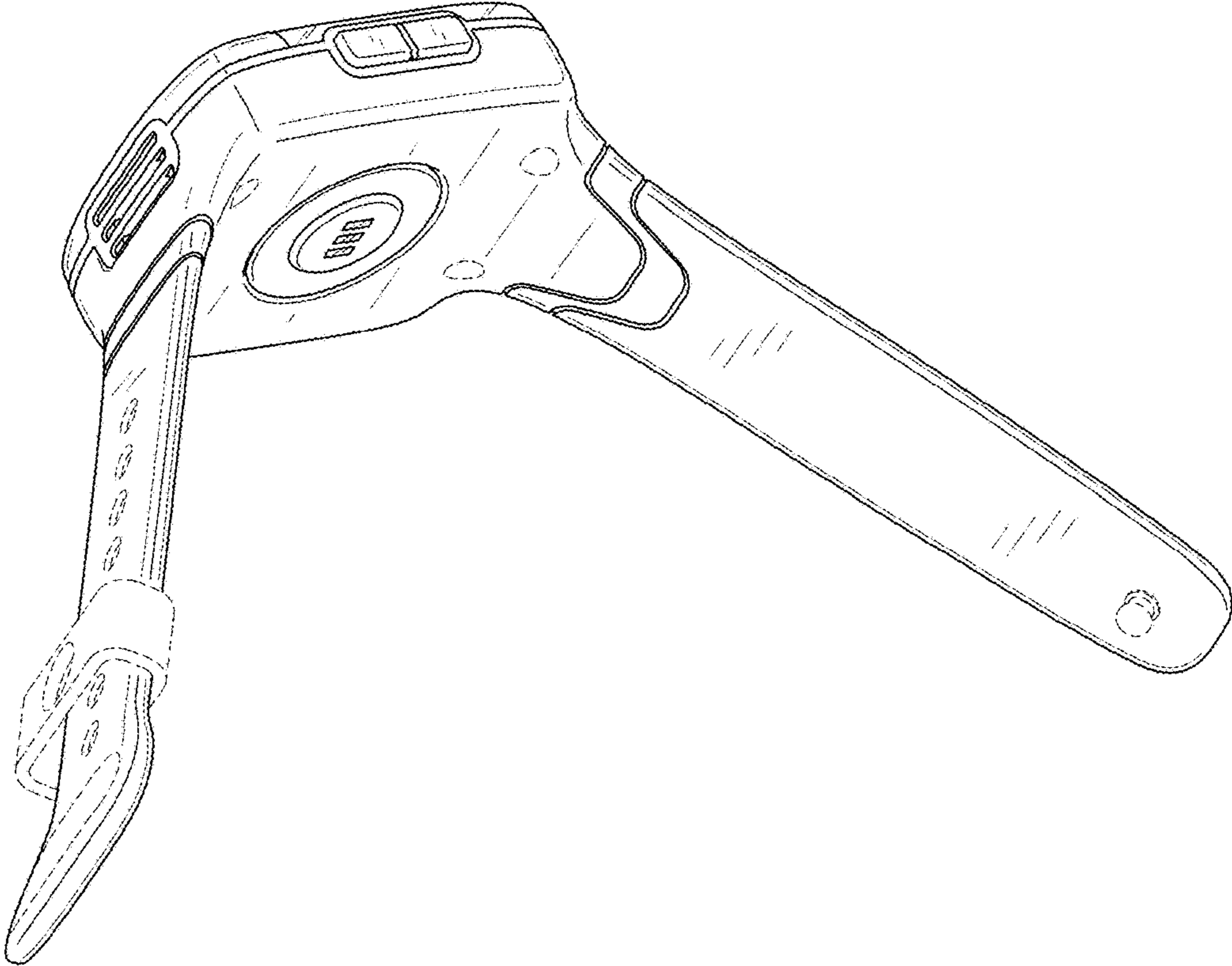


FIG. 3

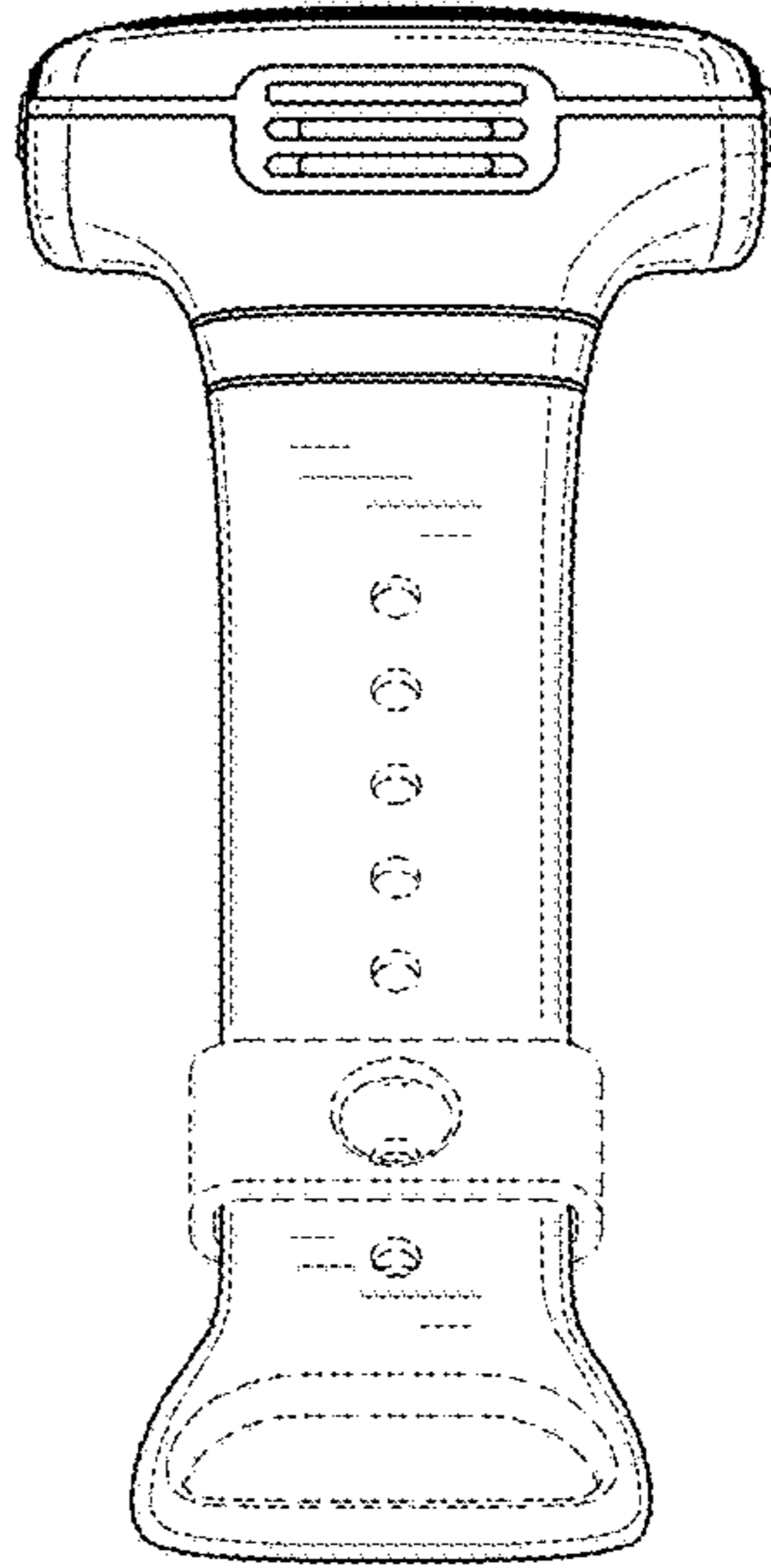


FIG. 4

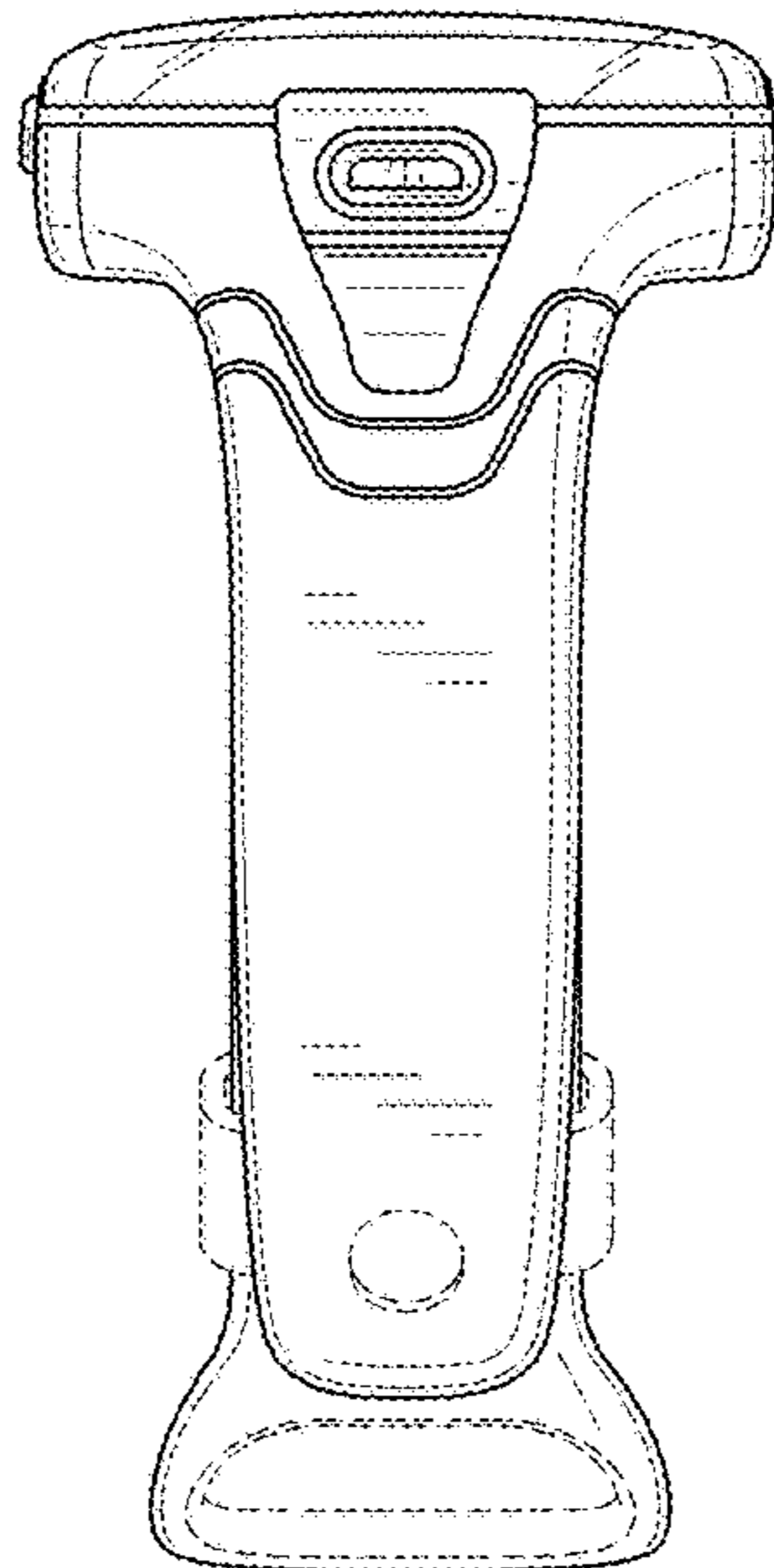


FIG. 5

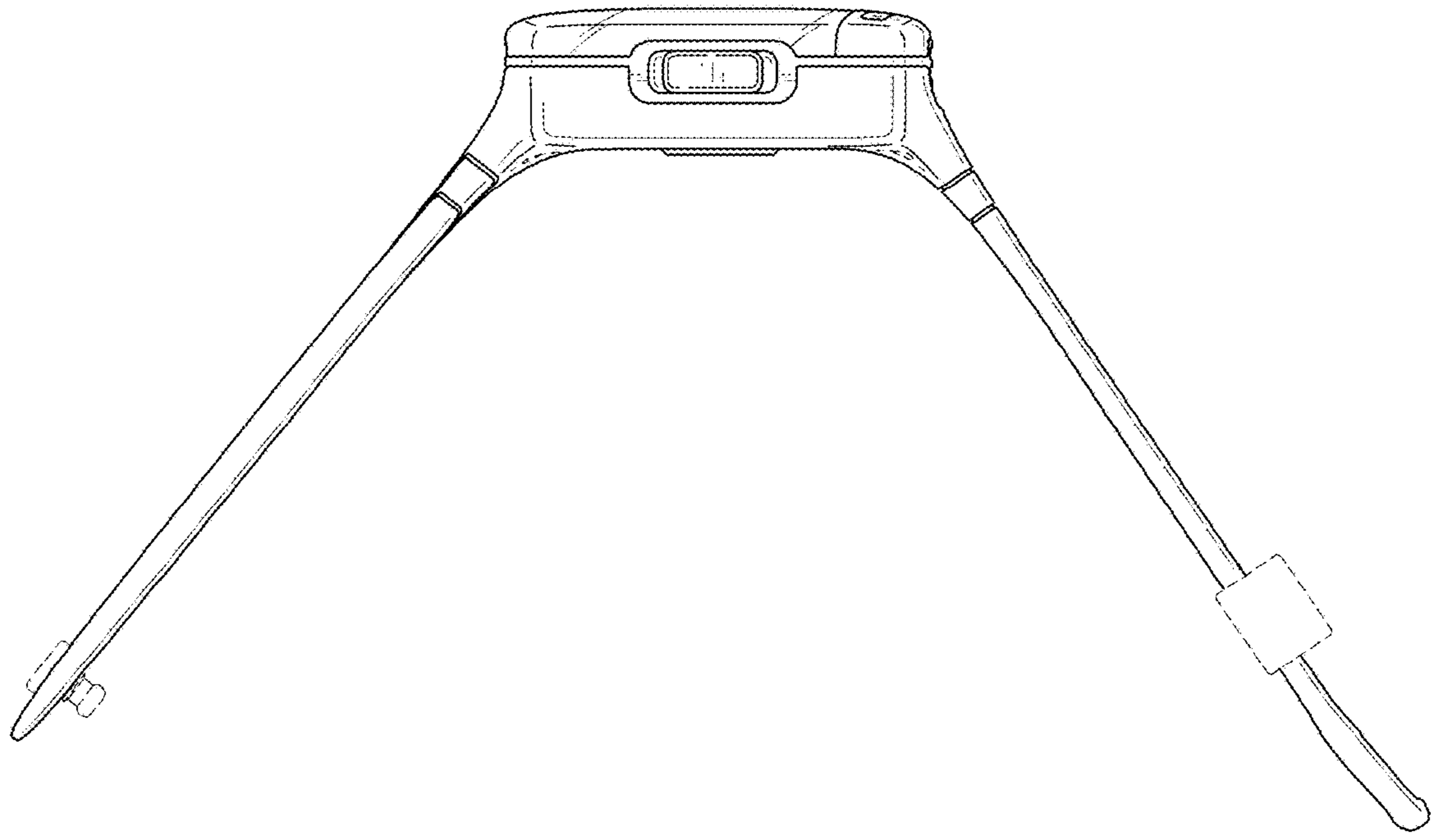


FIG. 6

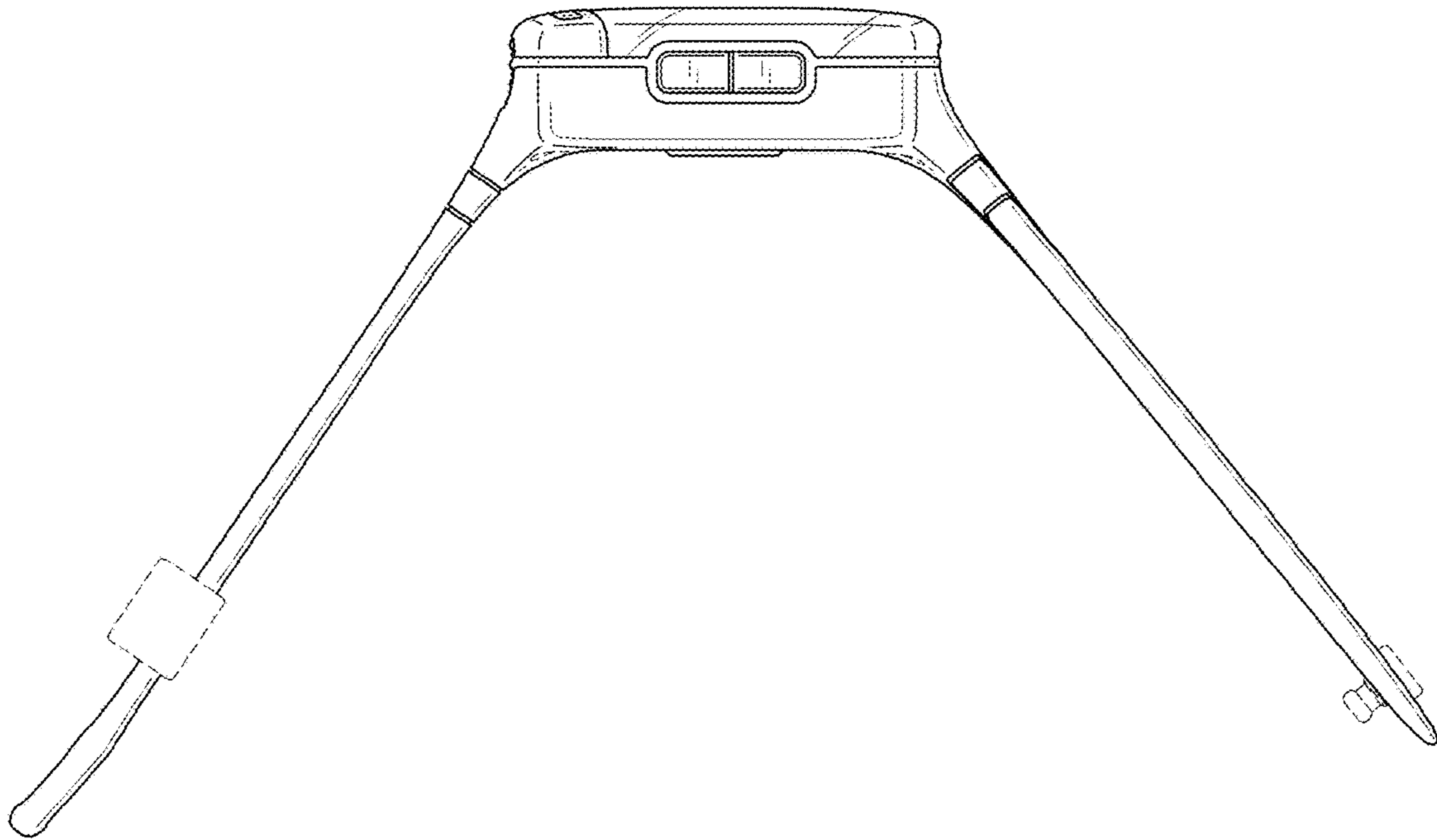


FIG. 7

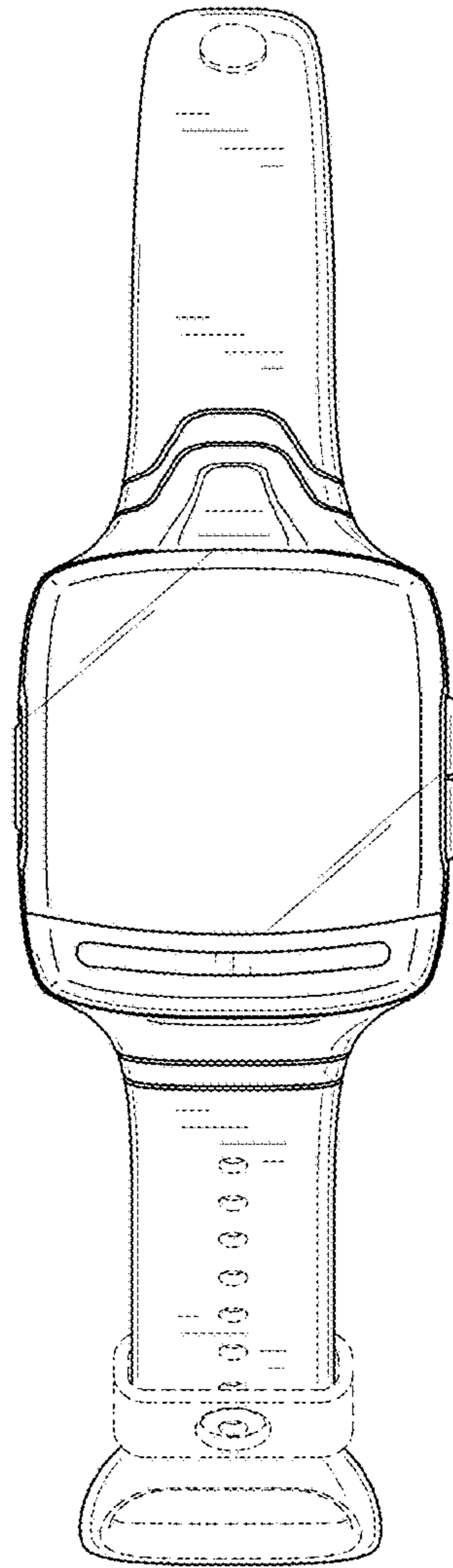


FIG. 8

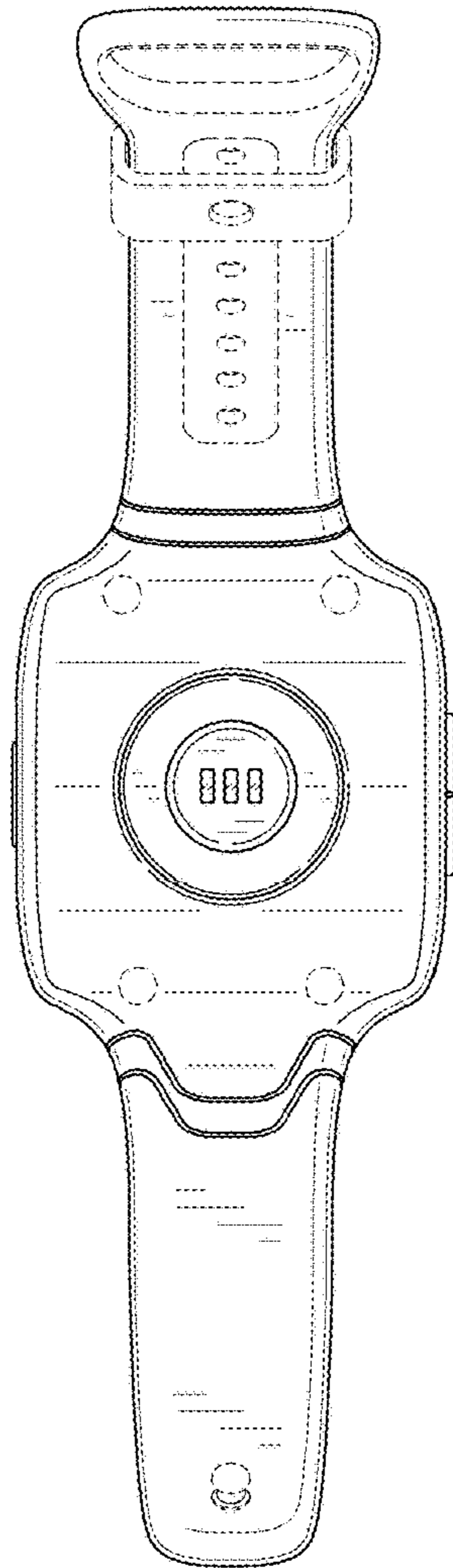


FIG. 9