



US00D838715S

(12) **United States Design Patent**  
**Chen et al.**

(10) **Patent No.:** **US D838,715 S**

(45) **Date of Patent:** **\*\* Jan. 22, 2019**

(54) **TABLET COMPUTER**

(71) Applicants: **Li-Fang Chen**, Taipei (TW);  
**Chen-Hsien Cheng**, Taipei (TW);  
**Chuan-Fong Lee**, Taipei (TW);  
**Chun-Chi Wang**, Taipei (TW)

(72) Inventors: **Li-Fang Chen**, Taipei (TW);  
**Chen-Hsien Cheng**, Taipei (TW);  
**Chuan-Fong Lee**, Taipei (TW);  
**Chun-Chi Wang**, Taipei (TW)

(73) Assignee: **COMPAL ELECTRONICS, INC.**,  
Taipei (TW)

(\*\*) Term: **15 Years**

(21) Appl. No.: **29/547,208**

(22) Filed: **Dec. 2, 2015**

(51) **LOC (11) Cl.** ..... **04-02**

(52) **U.S. Cl.**  
USPC ..... **D14/341; D14/447**

(58) **Field of Classification Search**  
USPC ..... D14/432, 447; D6/524; D19/65, 90  
CPC ..... F16M 11/20; F16M 13/00  
See application file for complete search history.

(56) **References Cited**

**U.S. PATENT DOCUMENTS**

D398,451 S *	9/1998	Sharpe	.....	D6/323
D410,991 S *	6/1999	Miyazaki	.....	D22/137
D540,142 S *	4/2007	Rexach	.....	D8/307
D570,183 S *	6/2008	Hanes	.....	D8/305
D602,334 S *	10/2009	Hanes	.....	D8/310
D613,292 S *	4/2010	Carver	.....	D14/218
D628,143 S *	11/2010	Riddiford	.....	D12/415
D633,902 S *	3/2011	Tokuno	.....	D14/244
D637,059 S *	5/2011	Hanes	.....	D8/310
D653,521 S *	2/2012	Wike	.....	D8/310
D660,679 S *	5/2012	Han	.....	D8/310

D666,039 S *	8/2012	Sedwick	.....	D6/524
D696,673 S *	12/2013	Vogel	.....	D14/447
D723,352 S *	3/2015	Ramsland	.....	D8/310
D723,573 S *	3/2015	Padro	.....	D14/447
9,486,910 B2 *	11/2016	Stevens	.....	B25G 1/102
2012/0118770 A1 *	5/2012	Valls	.....	F16M 11/10 206/320
2012/0305733 A1 *	12/2012	Vogel	.....	F16M 11/14 248/371

**OTHER PUBLICATIONS**

Orbit, posted at least 5 years ago [online], [retrieved Dec. 8, 2016].  
Retrieved from internet, <http://www.core77.com/posts/20409/gliftoostifforbitalsoallowsiphoneuserstodomorewithless20409>.  
EleMount, posted Aug. 9, 2013 [online], [retrieved Dec. 7, 2016].  
Retrieved from internet, <http://www.iclarified.com/32687/elementisanaluminumpedestalmountforyouriphoneipadkickstarter>.

\* cited by examiner

*Primary Examiner* — Barbara Fox

(74) *Attorney, Agent, or Firm* — JCIPRNET

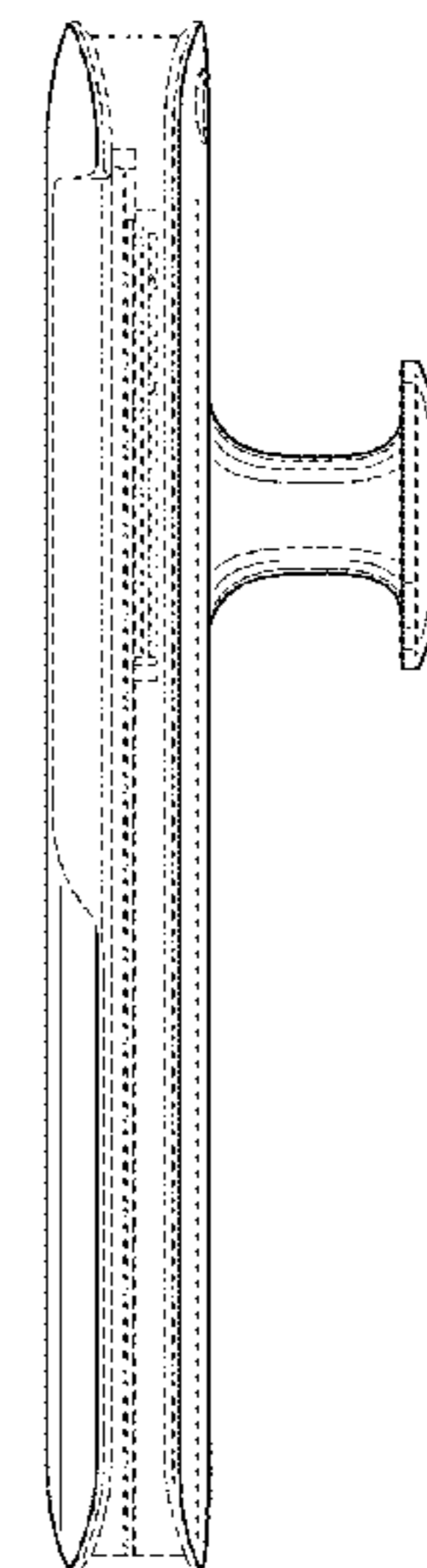
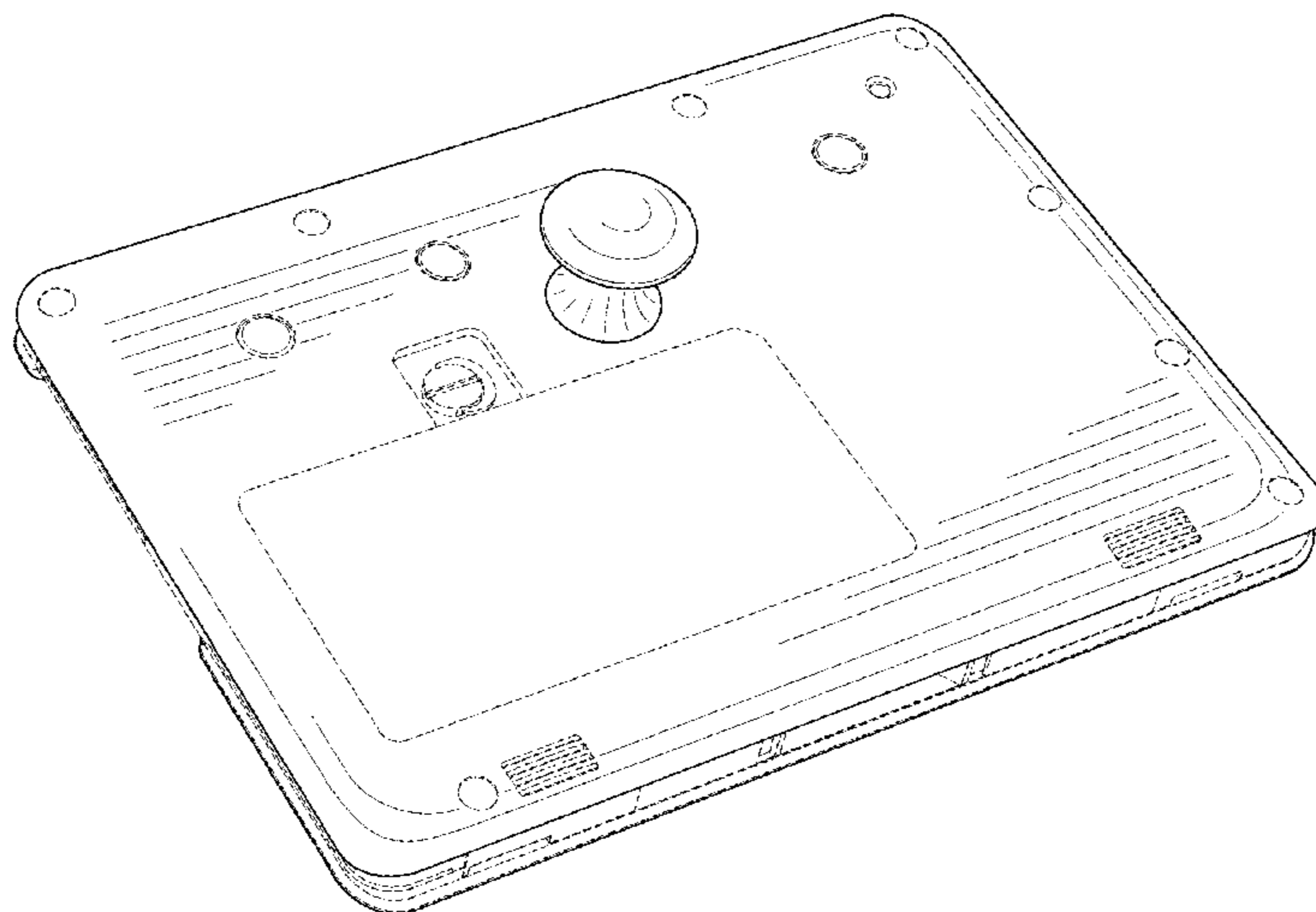
(57) **CLAIM**

The ornamental design for a tablet computer, as shown and described.

**DESCRIPTION**

FIG. 1 is a rear perspective view of a tablet computer showing our new design;  
FIG. 2 is a front perspective view thereof;  
FIG. 3 is a front view thereof;  
FIG. 4 is a rear view thereof;  
FIG. 5 is a left side view thereof;  
FIG. 6 is a right side view thereof;  
FIG. 7 is a top view thereof; and,  
FIG. 8 is a bottom view thereof.  
The broken lines shown in the drawings depict portions of the tablet computer that form no part of the claimed design.

**1 Claim, 6 Drawing Sheets**



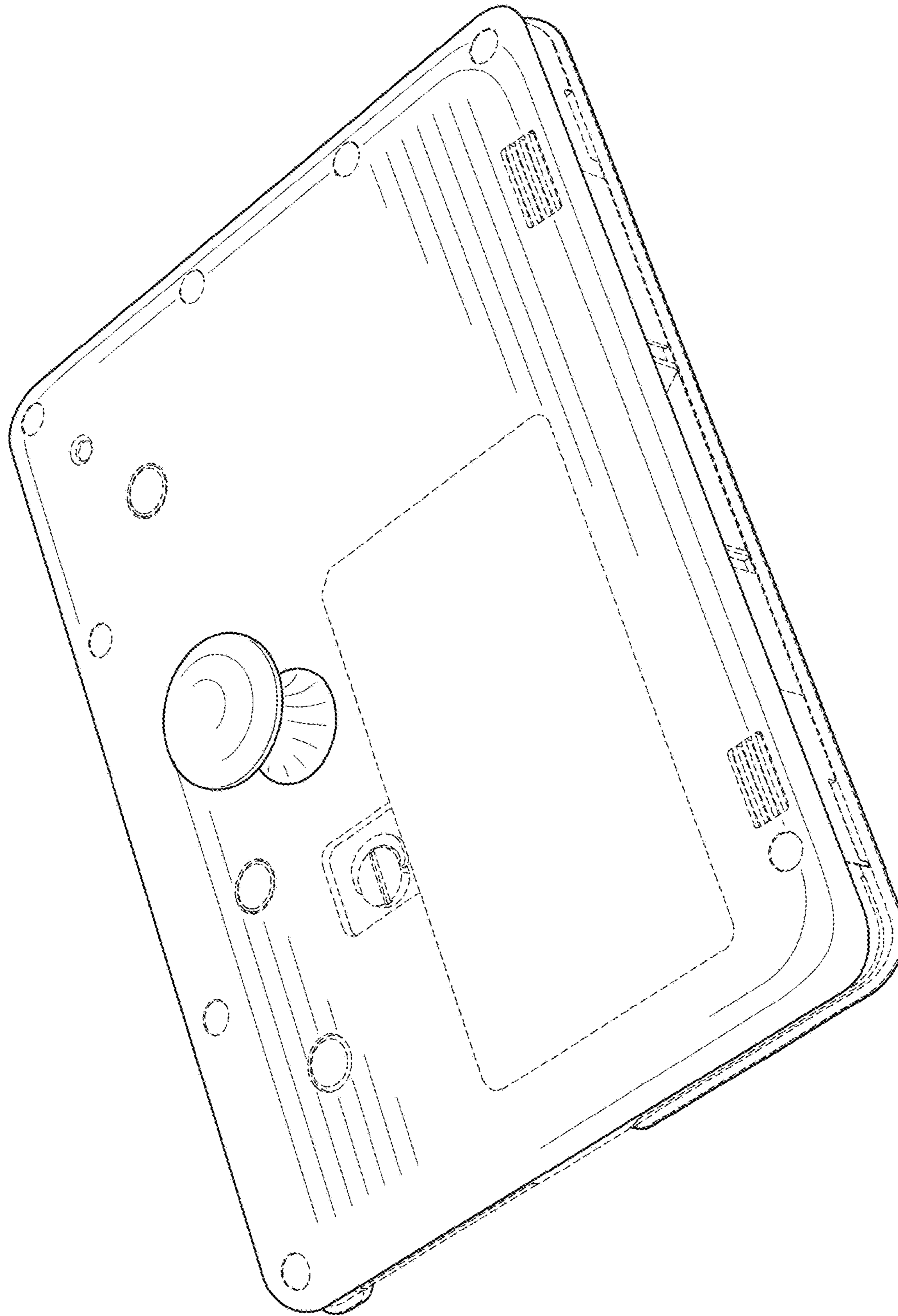


FIG. 1

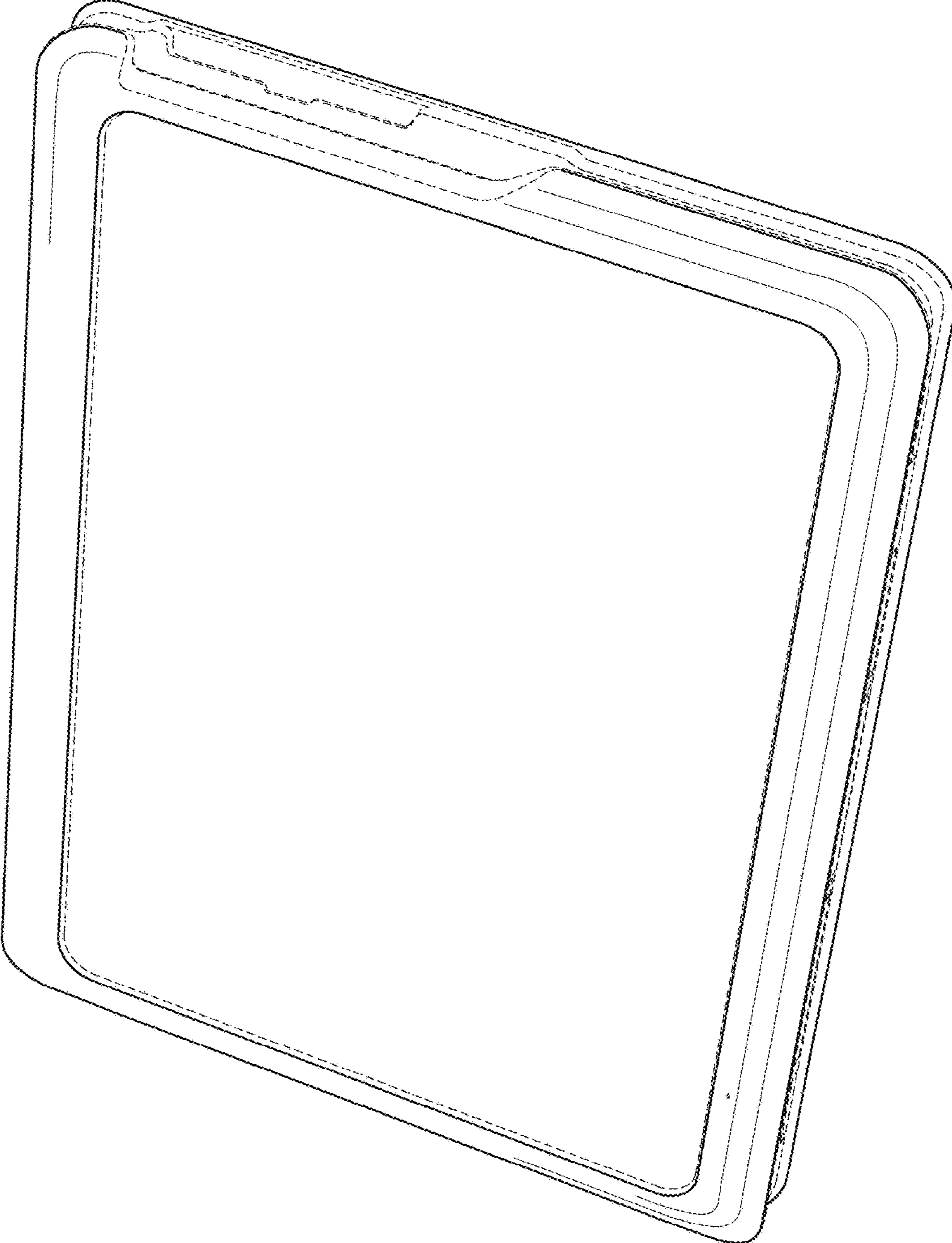


FIG. 2

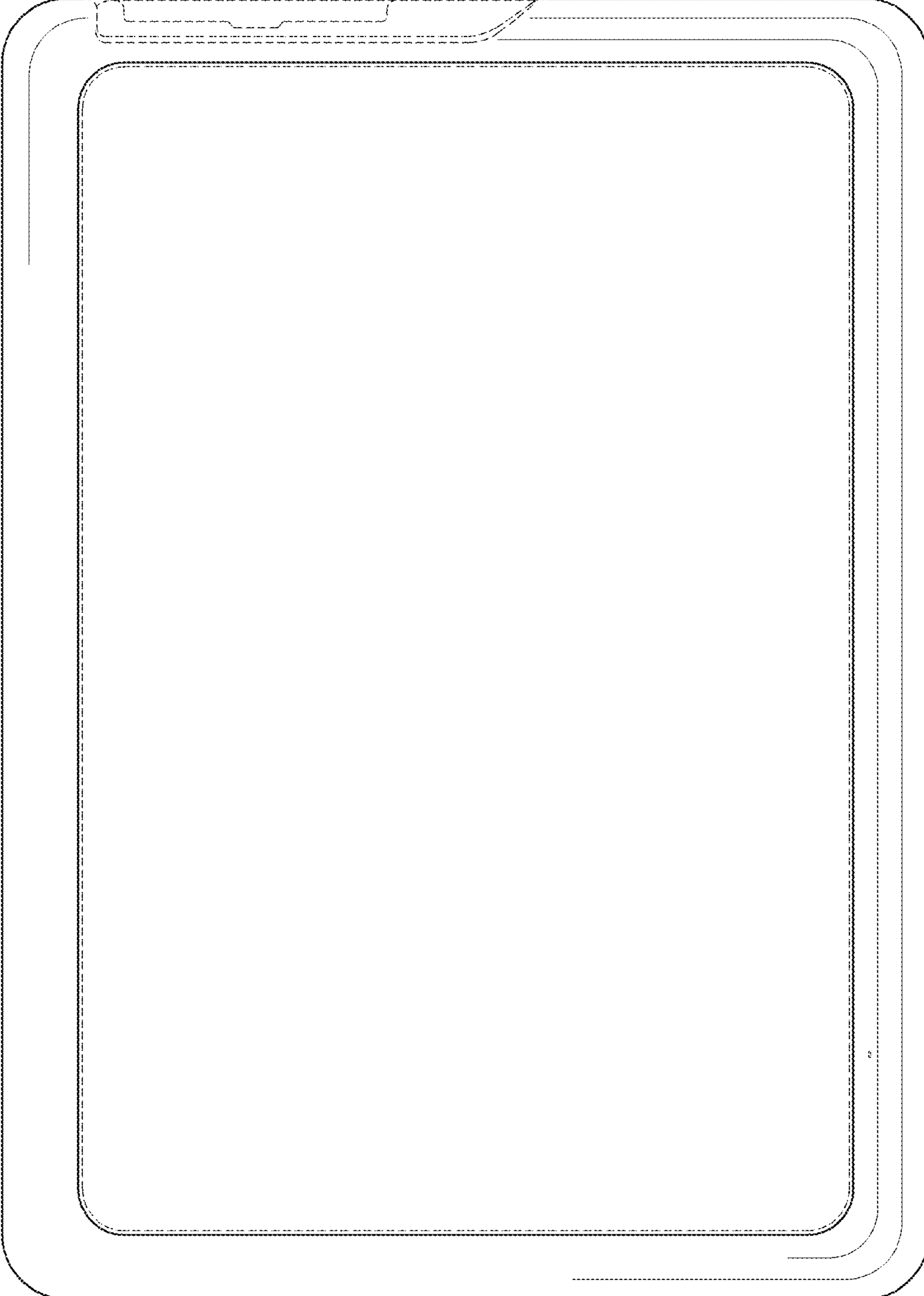


FIG. 3

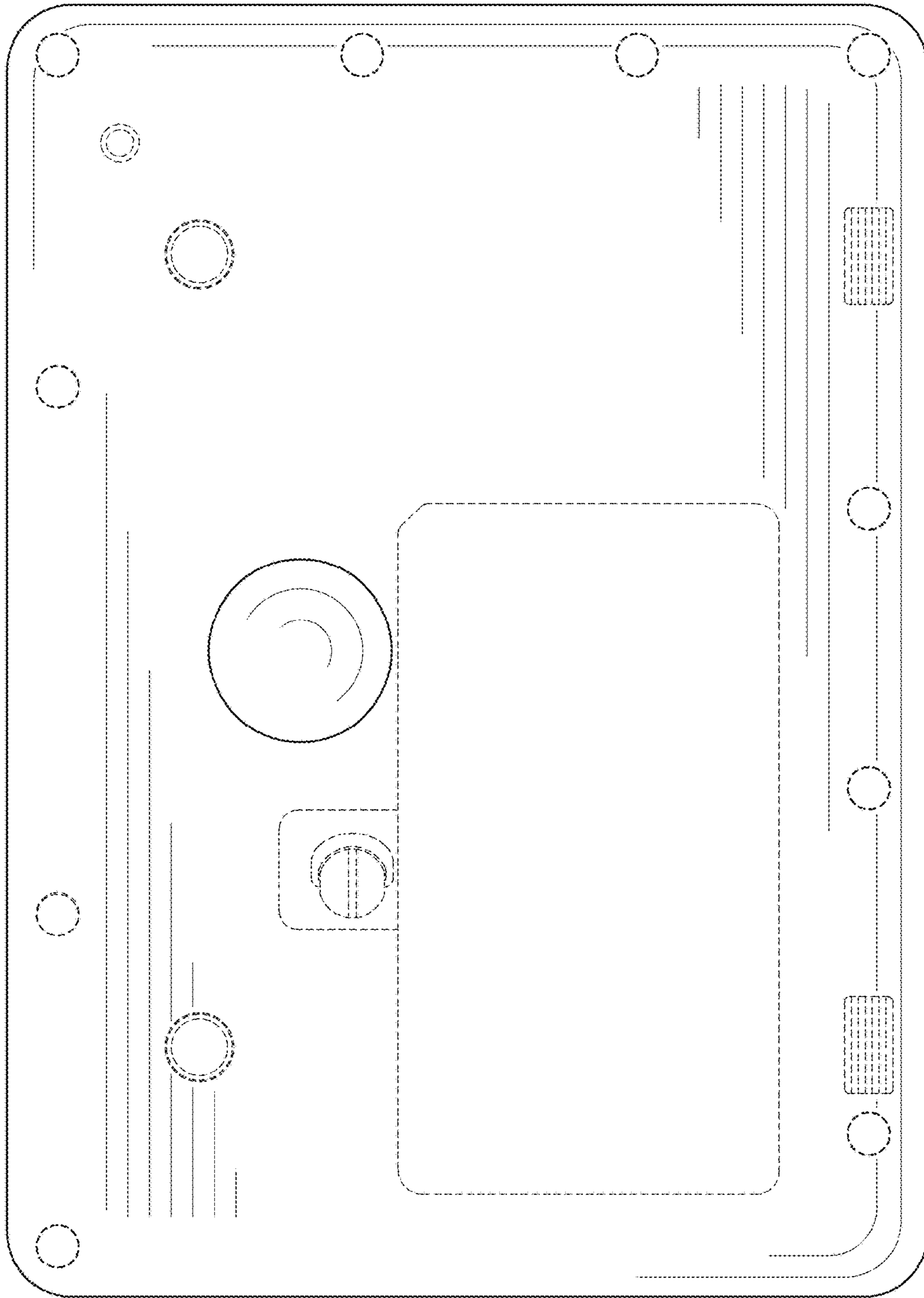


FIG. 4

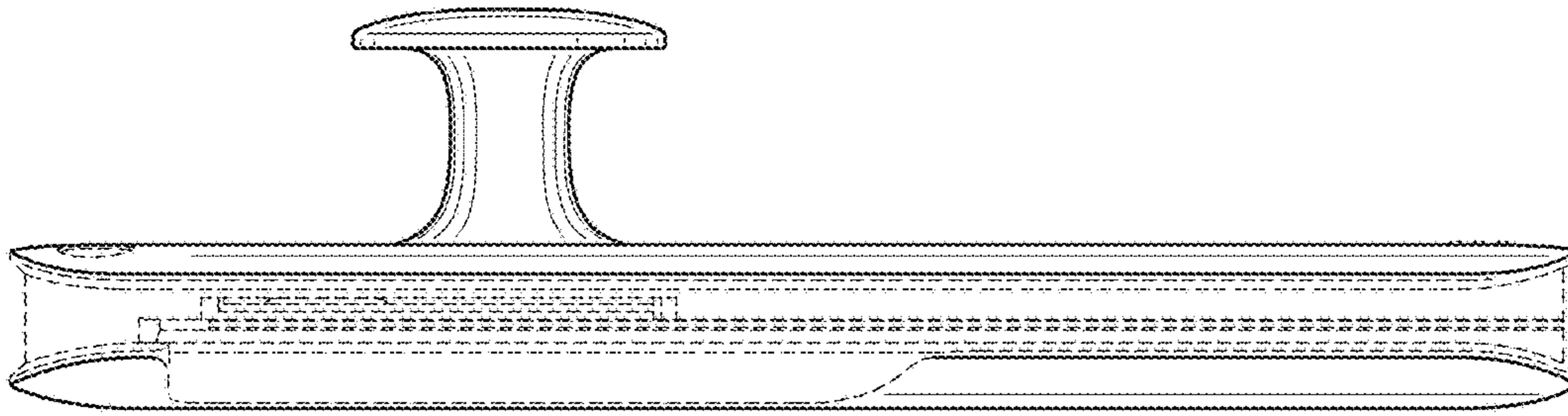


FIG. 6

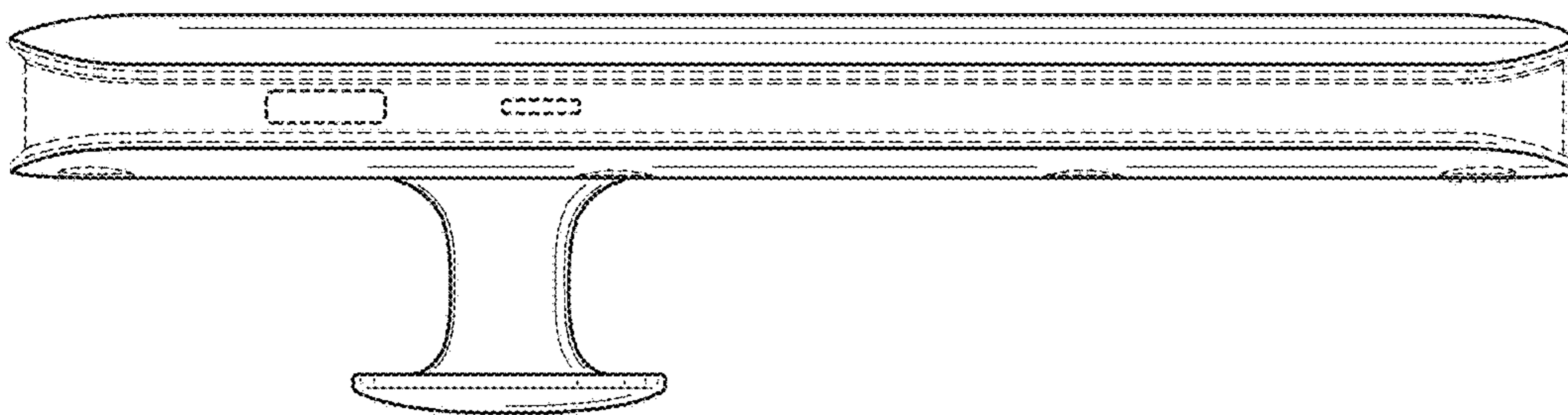


FIG. 5

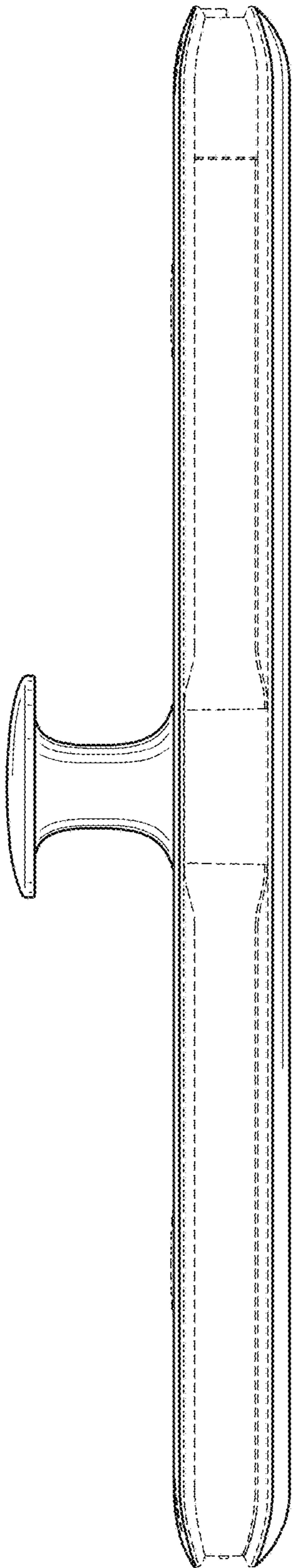


FIG. 7

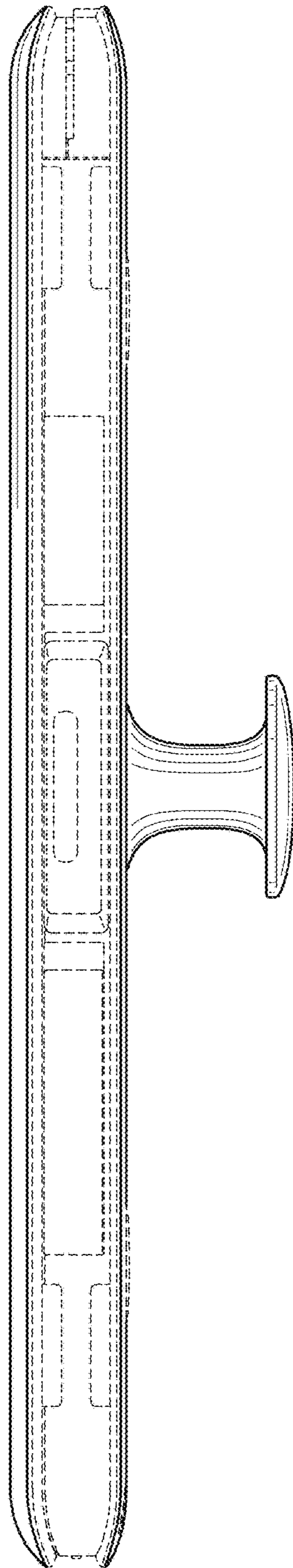


FIG. 8