

US00D838714S

(12) **United States Design Patent** (10) **Patent No.:** **US D838,714 S**  
**Lin** (45) **Date of Patent:** **\*\* Jan. 22, 2019**

(54) **LAPTOP COMPUTER**  
(71) Applicant: **Quanta Computer Inc.**, Taoyuan (TW)  
(72) Inventor: **Shih-Cheng Lin**, Taoyuan (TW)  
(73) Assignee: **QUANTA COMPUTER INC.**,  
Guishan Dist., Taoyuan (TW)  
(\*\*) Term: **15 Years**  
(21) Appl. No.: **29/623,289**  
(22) Filed: **Oct. 24, 2017**  
(30) **Foreign Application Priority Data**

Sep. 6, 2017 (TW) ..... 106305126  
(51) **LOC (11) Cl.** ..... **14-02**  
(52) **U.S. Cl.**  
USPC ..... **D14/318**  
(58) **Field of Classification Search**  
USPC ..... D14/315-327; D18/1, 2, 7, 11;  
235/145 A, 145 R; 341/22, 23; 345/104,  
345/156, 168, 169, 173; 361/679.08,  
361/679.09, 679.11, 679.26, 679.27  
CPC ..... G06F 1/16; G06F 1/1616; G06F 1/1626;  
G06F 1/1632; G06F 1/1613; G06F  
1/1601; G06F 1/1618; G06F 1/162; G06F  
1/166; G06F 1/1654; G06F 1/1681; G06F  
1/1637; G06F 1/1688; G06F 1/1656;  
H01R 35/02; H03M 11/00; G09B 13/04;  
H03K 17/94; G09G 5/00; F16M 11/10;  
H05K 5/00; H04M 1/0237  
See application file for complete search history.

(56) **References Cited**  
U.S. PATENT DOCUMENTS  
6,771,494 B2 \* 8/2004 Shimano ..... G06F 1/1616  
345/173  
7,019,964 B1 \* 3/2006 Maskatia ..... G06F 1/162  
312/223.1  
D558,753 S \* 1/2008 Andre ..... D14/315

D739,854 S \* 9/2015 Bowers ..... D14/315  
D743,958 S \* 11/2015 Goh ..... D14/315  
D766,233 S \* 9/2016 Lam ..... D14/315

\* cited by examiner  
*Primary Examiner* — Freda S Nunn  
(74) *Attorney, Agent, or Firm* — McClure, Qualey &  
Rodack, LLP

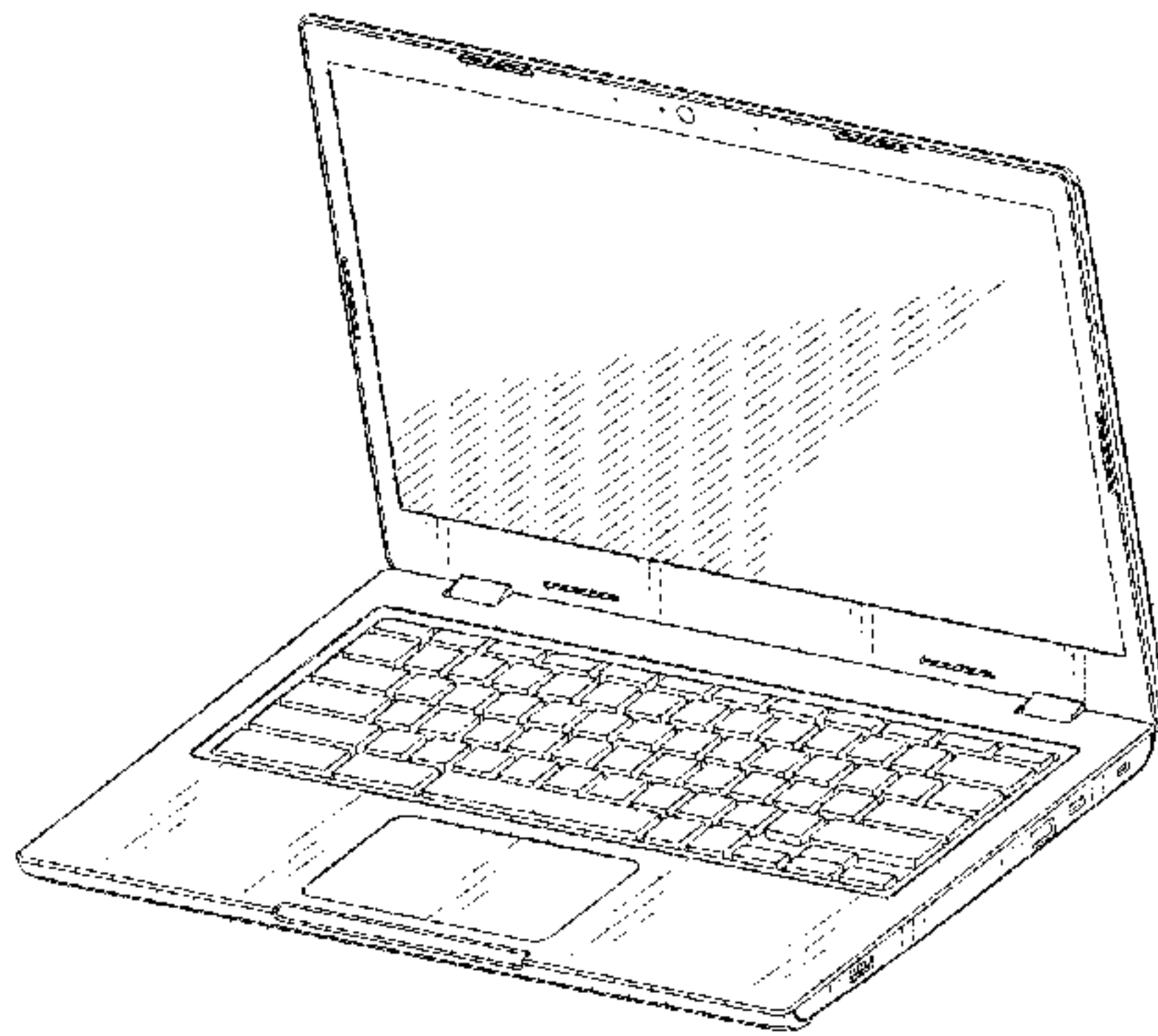
(57) **CLAIM**

The ornamental design for laptop computer, as shown and described.

**DESCRIPTION**

FIG. 1 is a perspective view of a laptop computer in accordance with our new design;  
FIG. 2 is a front view thereof;  
FIG. 3 is a rear view thereof;  
FIG. 4 is a left side view thereof;  
FIG. 5 is a right side view thereof;  
FIG. 6 is a top plan view thereof;  
FIG. 7 is a bottom plan view thereof;  
FIG. 8 is a front perspective view thereof showing the laptop computer in use;  
FIG. 9 is a front view thereof;  
FIG. 10 is a rear view thereof;  
FIG. 11 is a left side view thereof;  
FIG. 12 is a right side view thereof;  
FIG. 13 is a top plan view thereof; and,  
FIG. 14 is a rear perspective view thereof.

**1 Claim, 14 Drawing Sheets**



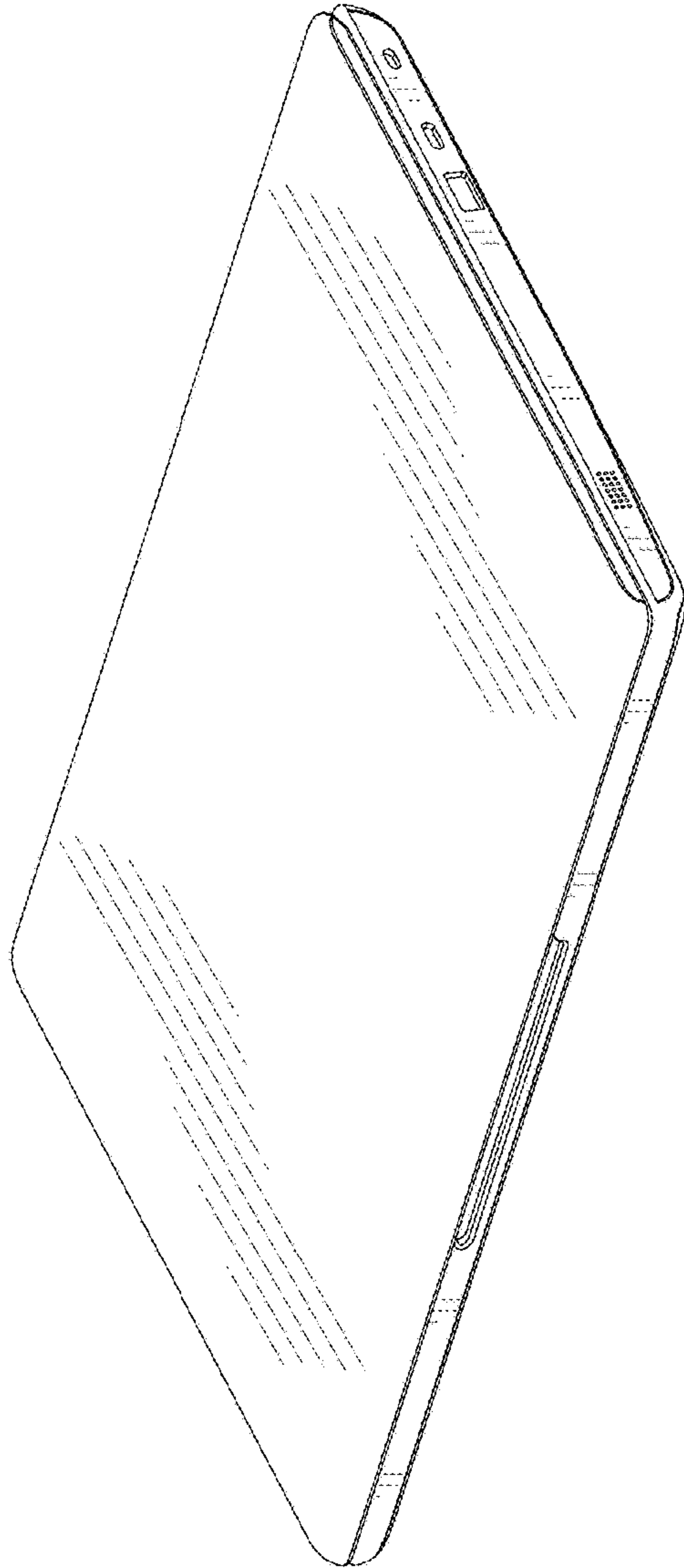


FIG. 1

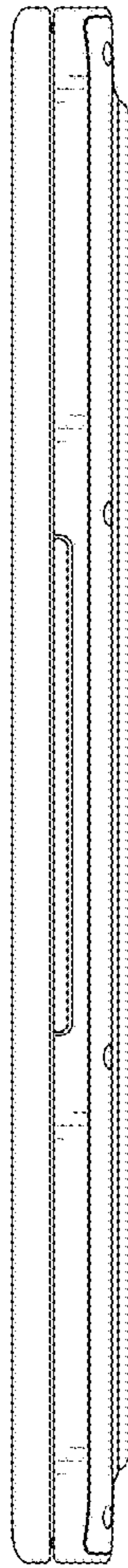


FIG. 2

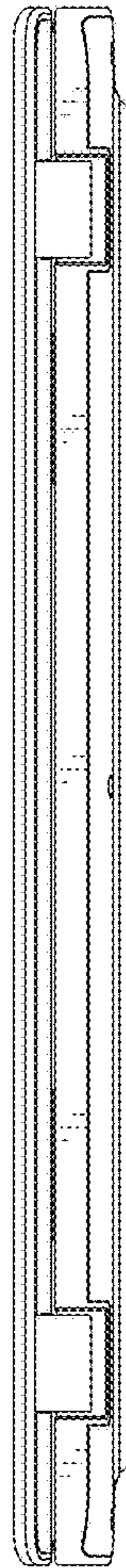


FIG. 3

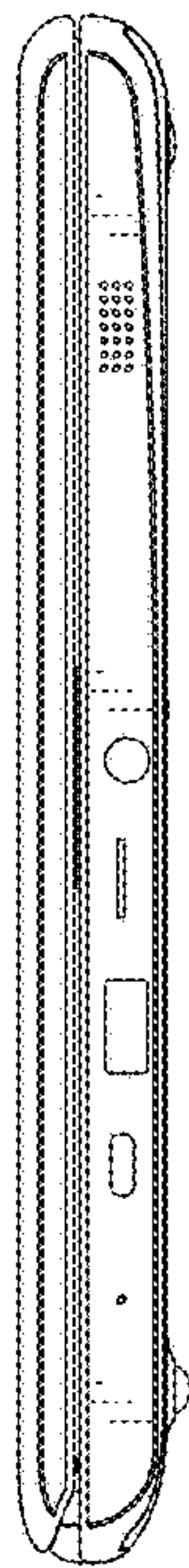


FIG. 4

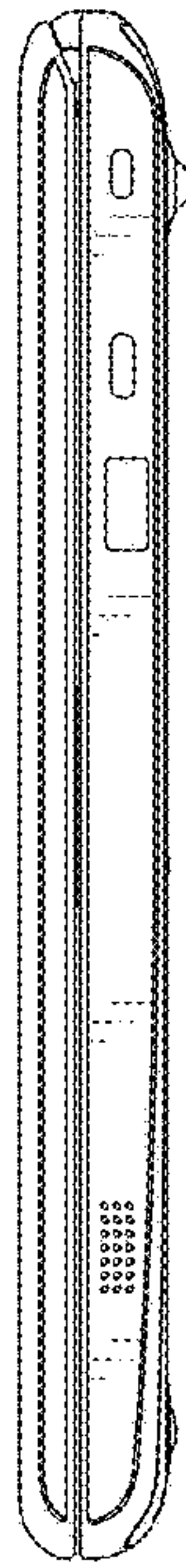


FIG. 5

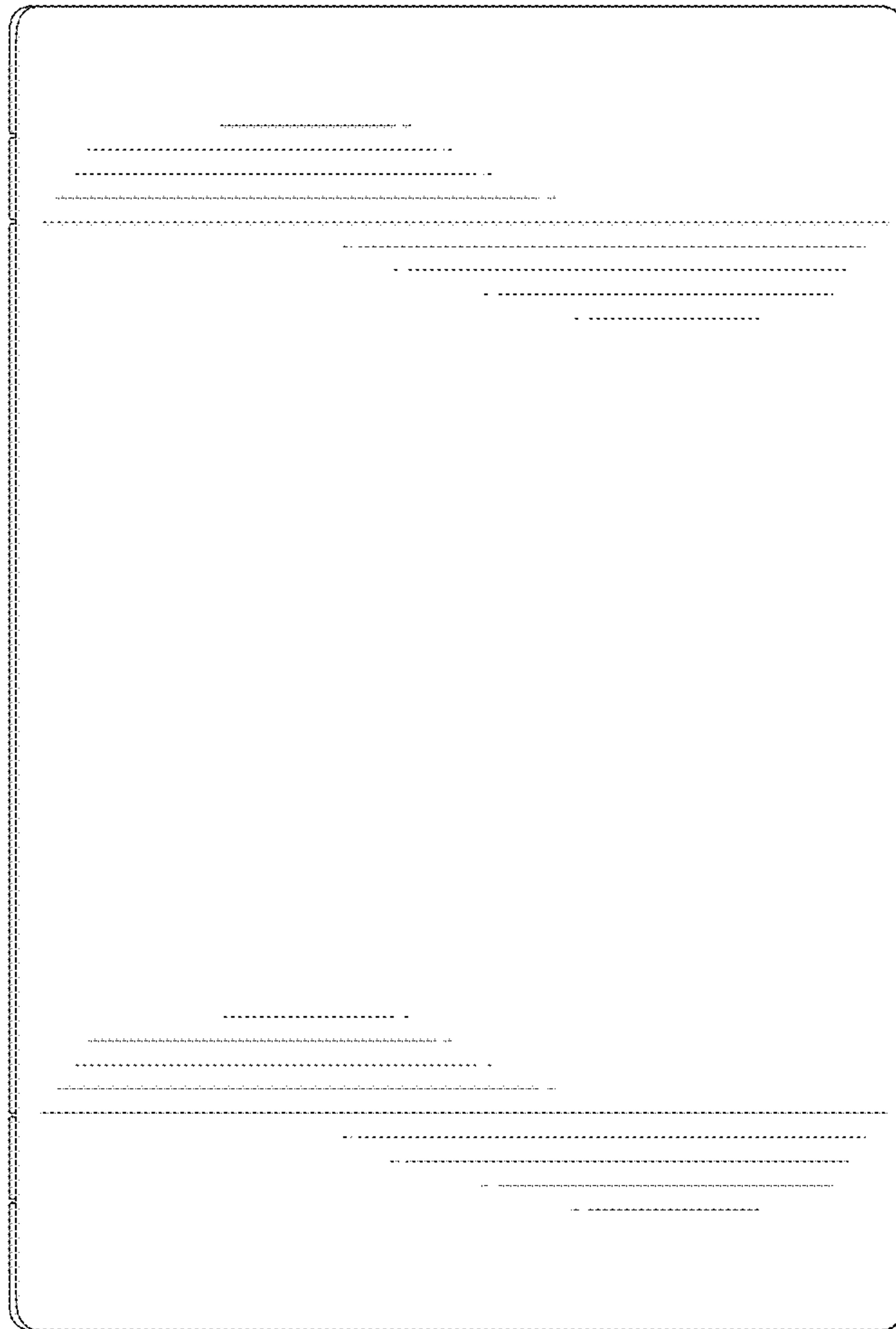


FIG. 6

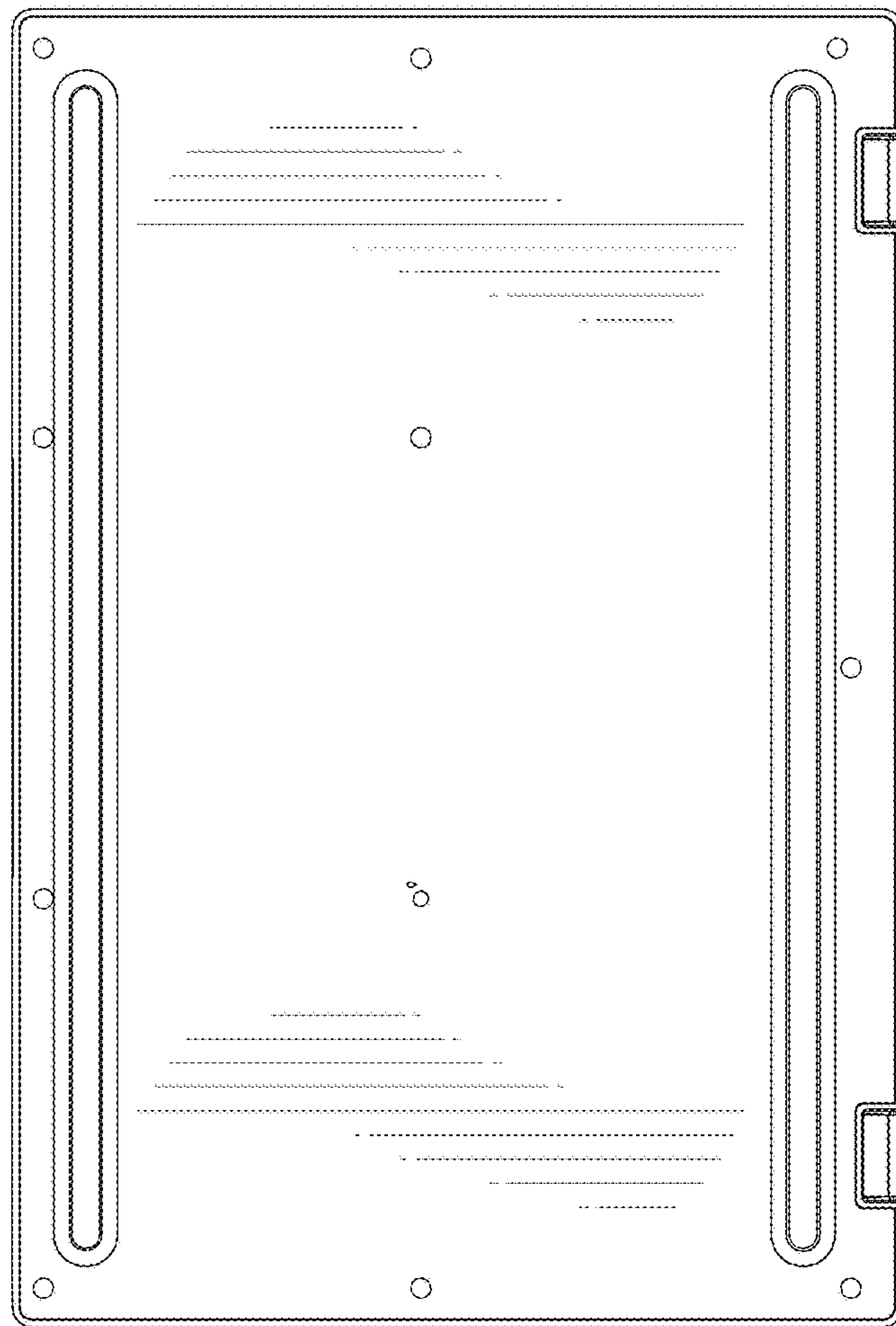


FIG. 7



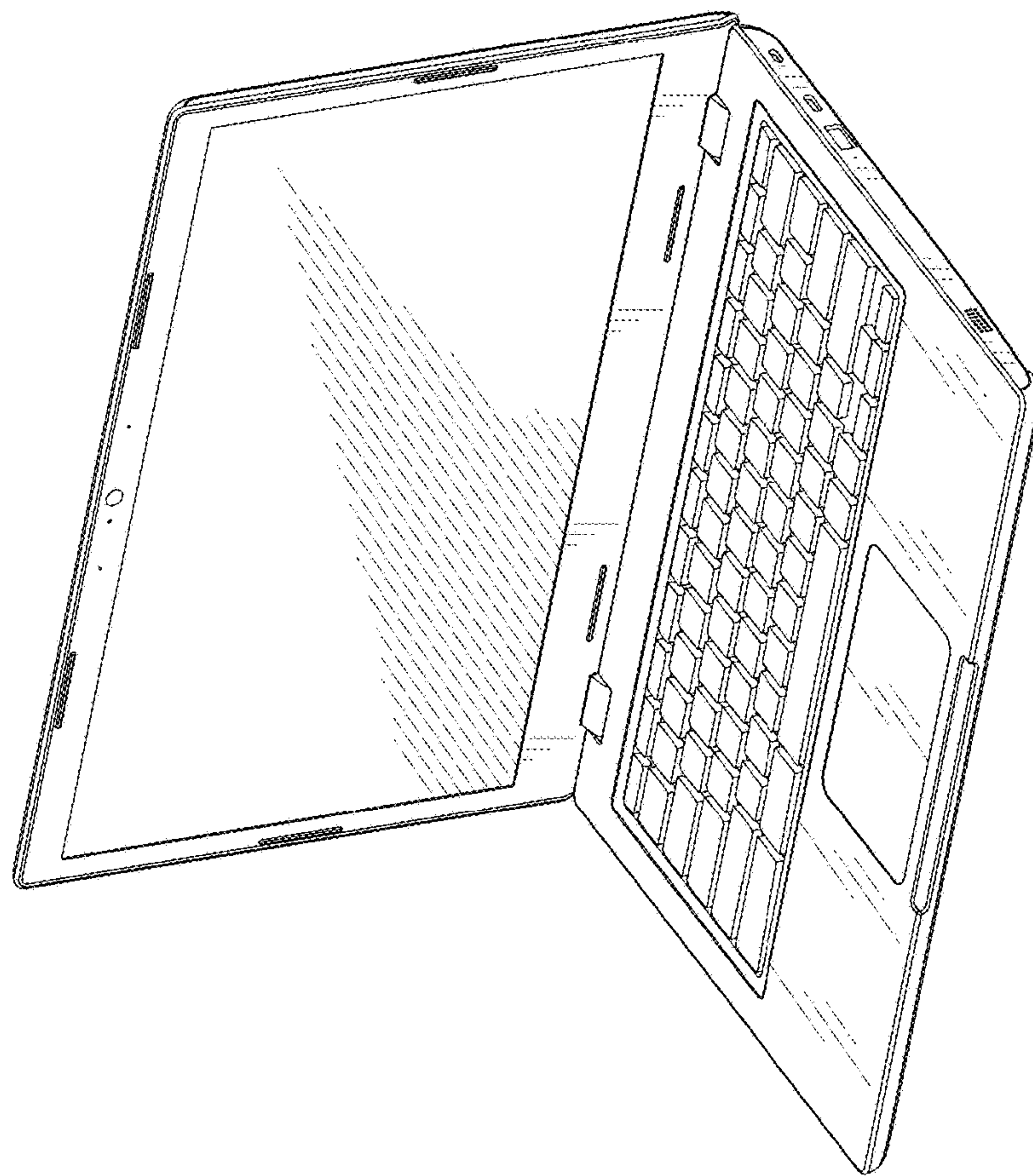


FIG. 8

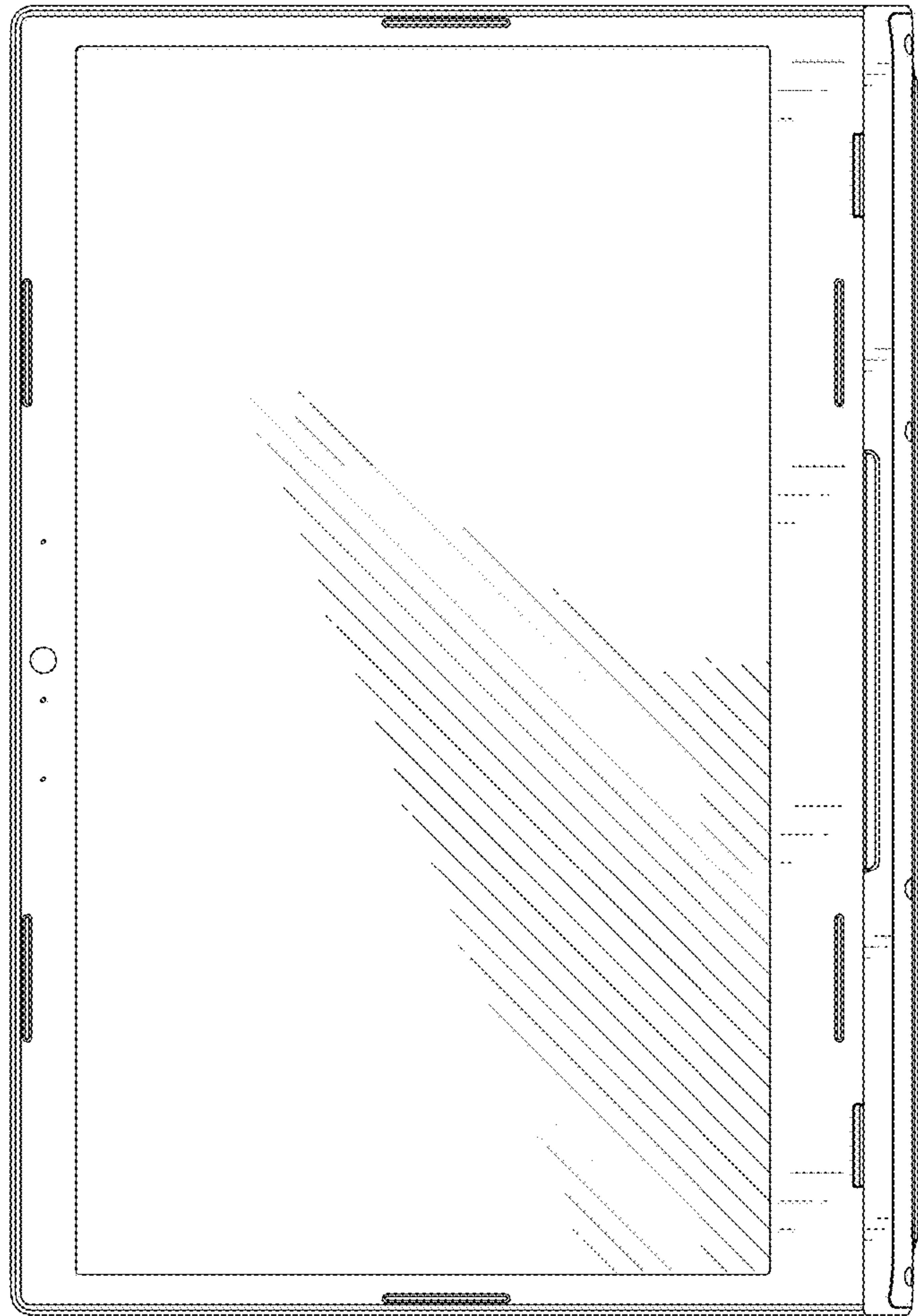


FIG. 9

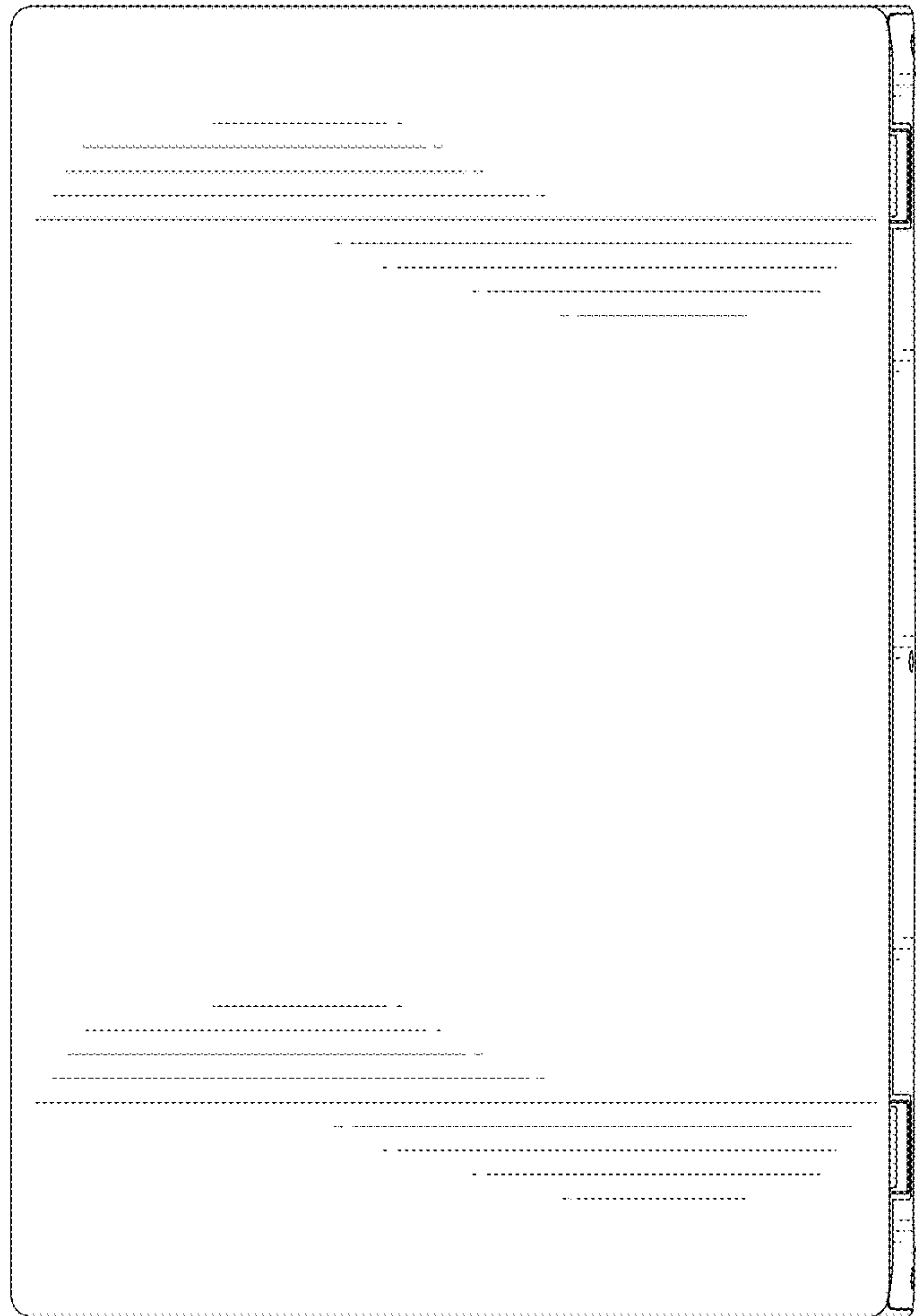


FIG. 10



FIG. 11

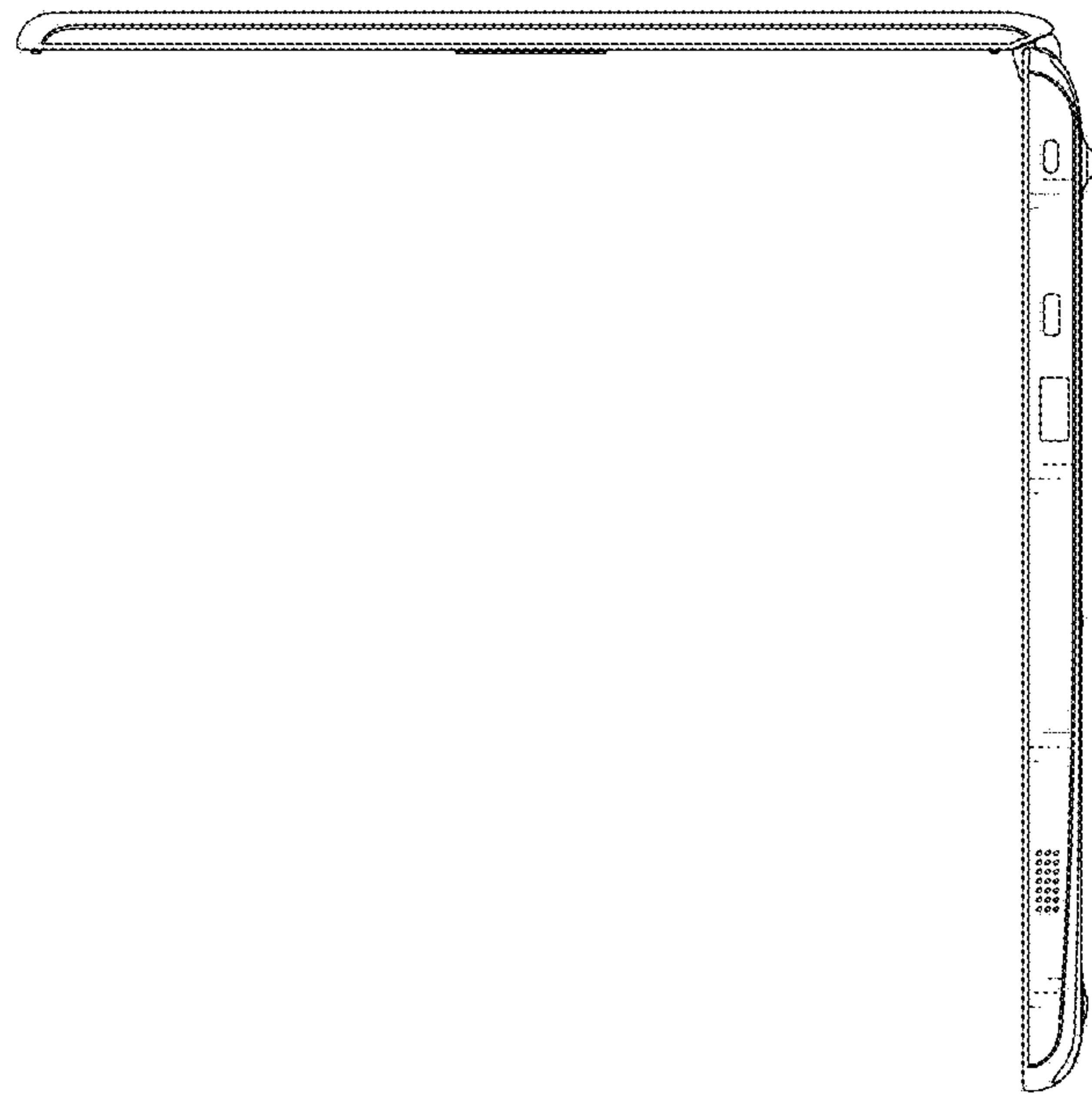


FIG. 12

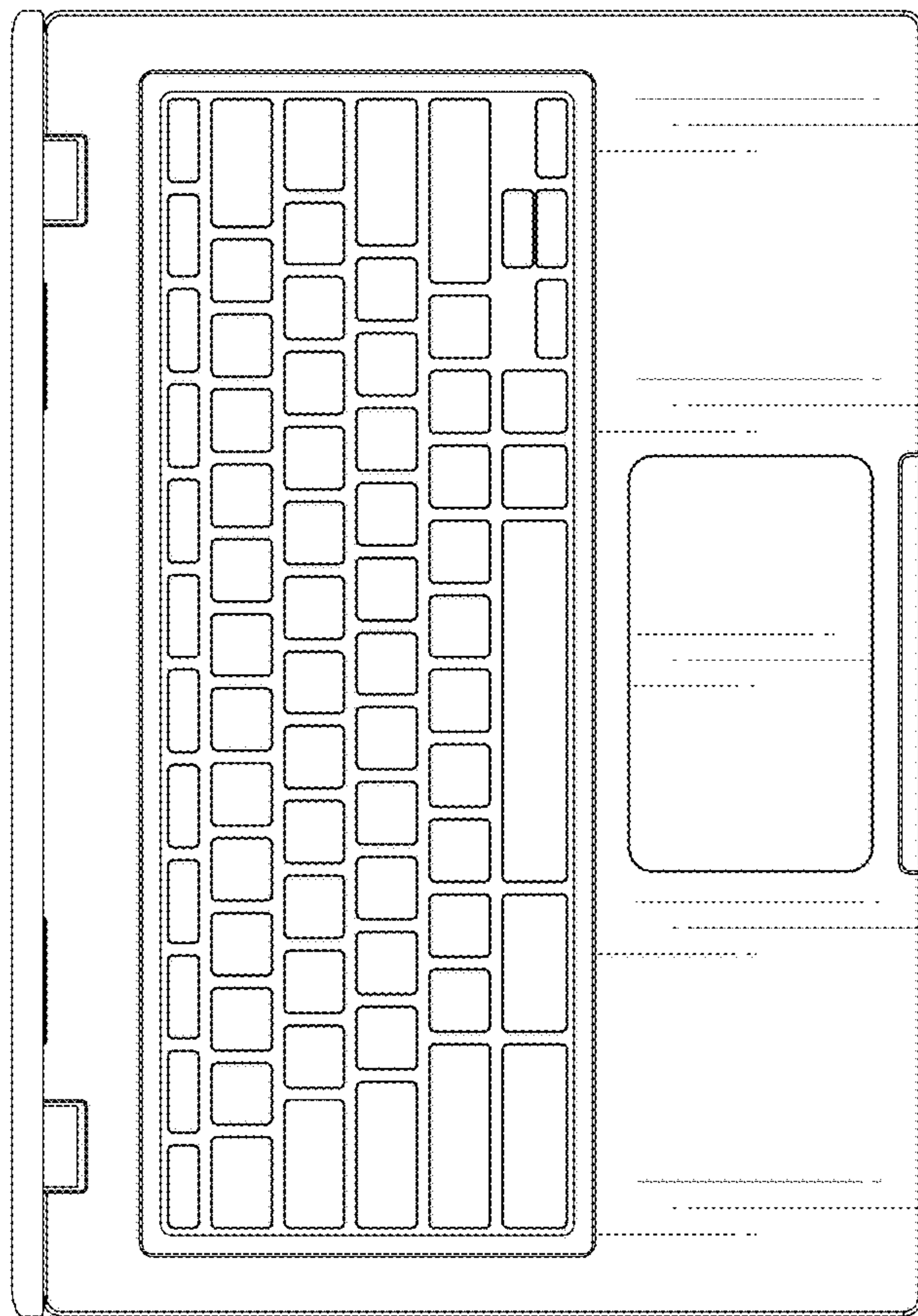


FIG. 13

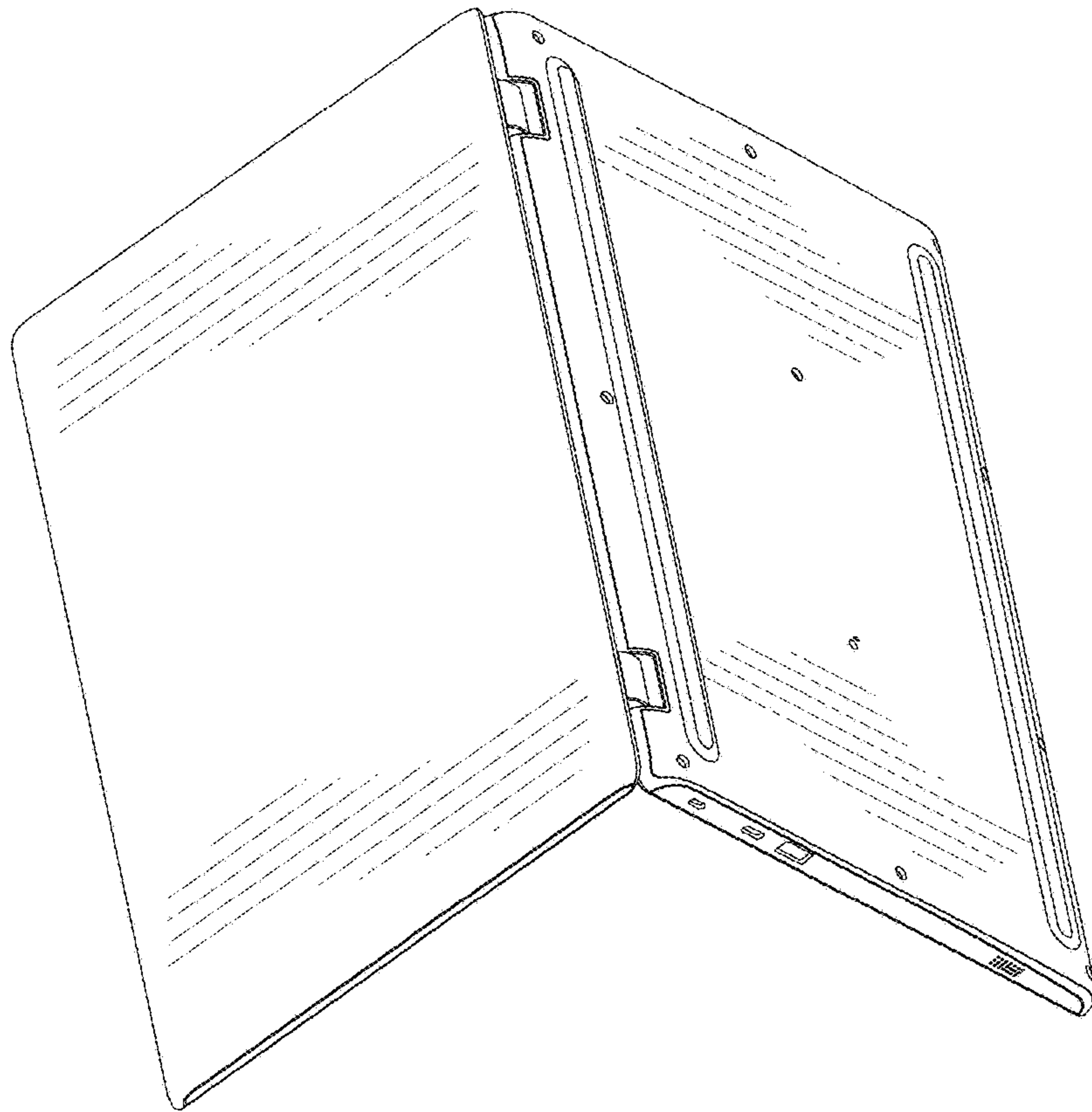


FIG. 14