



US00D838713S

(12) **United States Design Patent**
Muramoto

(10) **Patent No.:** **US D838,713 S**
(45) **Date of Patent:** **** Jan. 22, 2019**

(54) **AUDIO DISC PLAYER WITH TUNER FOR VEHICLE**

(71) Applicant: **Alpine Electronics, Inc.**, Tokyo (JP)

(72) Inventor: **Masatada Muramoto**, Tokyo (JP)

(73) Assignee: **Alpine Electronics, Inc.**, Tokyo (JP)

(**) Term: **15 Years**

(21) Appl. No.: **29/628,627**

(22) Filed: **Dec. 6, 2017**

(51) **LOC (11) Cl.** **14-03**

(52) **U.S. Cl.**
USPC **D14/258**

(58) **Field of Classification Search**
USPC D12/192, 195, 415, 420; D14/154, 157,
D14/168-171, 188-198, 257-258;
248/27.1, 27.3, 558; 455/347, 350
CPC B60R 11/02; B60K 37/02; B60K 37/04;
B60K 37/06; B60K 35/00; H04B 1/06;
H04B 1/08; H04B 1/082
See application file for complete search history.

(56) **References Cited**

U.S. PATENT DOCUMENTS

D534,887 S	1/2007	Endo et al.
D537,055 S	2/2007	Endo et al.
D537,056 S	2/2007	Endo et al.
D557,250 S	12/2007	Aguilar et al.
D557,677 S	12/2007	Aguilar et al.
D571,349 S	6/2008	Endo et al.
D571,350 S	6/2008	Iwamoto et al.
D572,231 S	7/2008	Endo et al.

D593,989 S	6/2009	Endo et al.	
D595,685 S	7/2009	Iwamoto	
D604,287 S	* 11/2009	Kimura	D14/157
D613,733 S	4/2010	Iwamoto	
D635,969 S	4/2011	Iwamoto et al.	
D635,970 S	4/2011	Ichikawa et al.	
D671,906 S	* 12/2012	Kimura	D14/157
D672,743 S	* 12/2012	Suzuki	D14/157
D704,696 S	* 5/2014	Kimura	D14/258
D711,367 S	8/2014	Endo et al.	
D718,299 S	* 11/2014	Takahashi	D14/188
D722,585 S	* 2/2015	Suzuki	D14/157
D722,993 S	* 2/2015	Harada	D14/157
D743,928 S	11/2015	Endo et al.	
D744,975 S	* 12/2015	Kimura	D14/258
D775,121 S	* 12/2016	Suzuki	D14/258

* cited by examiner

Primary Examiner — Sandra L Morris

(74) *Attorney, Agent, or Firm* — Brinks Gilson & Lione

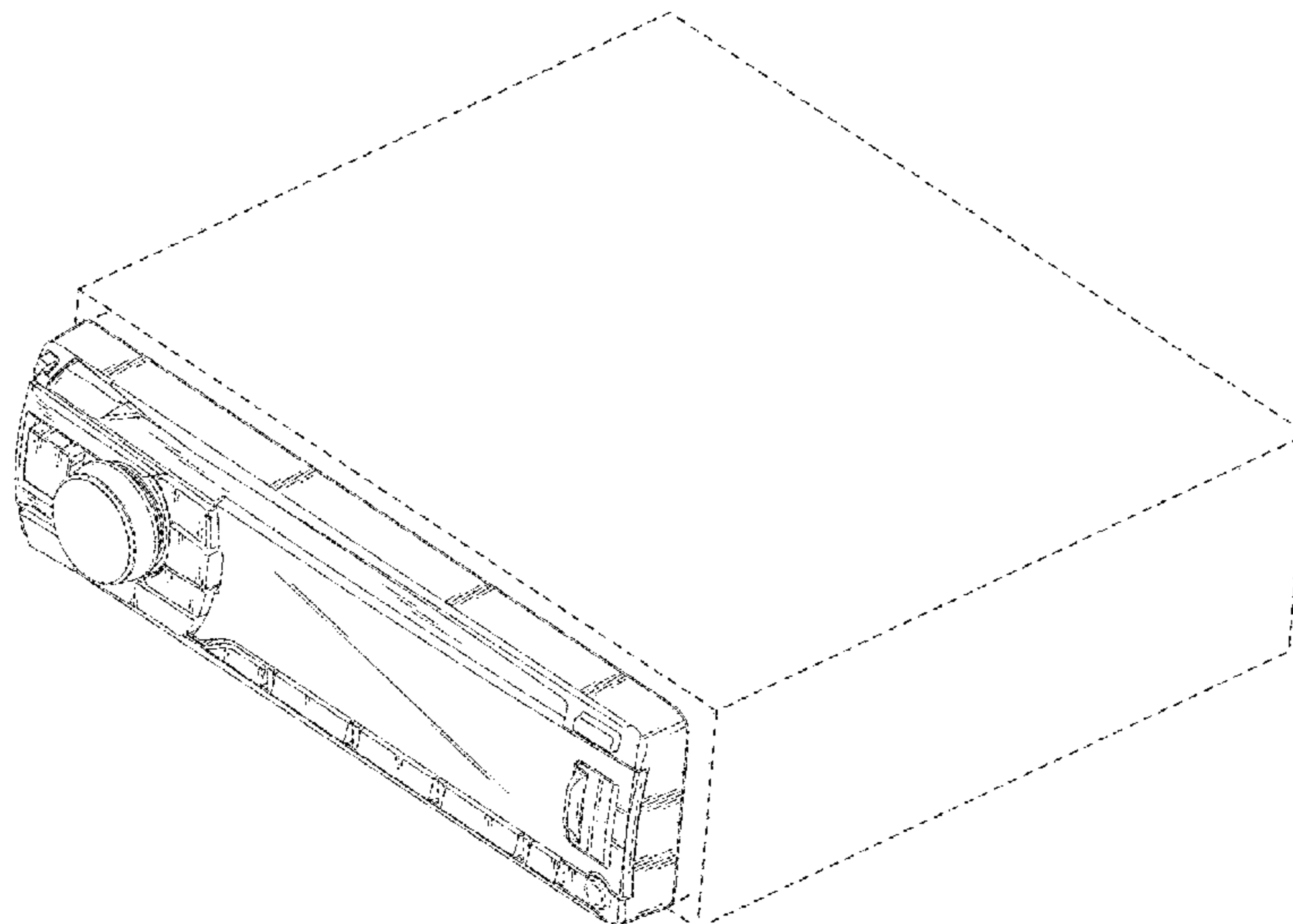
(57) **CLAIM**

The ornamental design of the audio disc player with tuner for vehicle showing the new design, as shown and described.

DESCRIPTION

FIG. 1 is a perspective view of an audio disc player with tuner for vehicle showing the new design;
FIG. 2 is a front view thereof;
FIG. 3 is a rear view thereof;
FIG. 4 is a top view thereof;
FIG. 5 is a bottom view thereof;
FIG. 6 is a left-side view thereof; and,
FIG. 7 is a right-side view thereof.
The broken lines are for environmental purposes only and do not form any part of the claimed design.

1 Claim, 5 Drawing Sheets



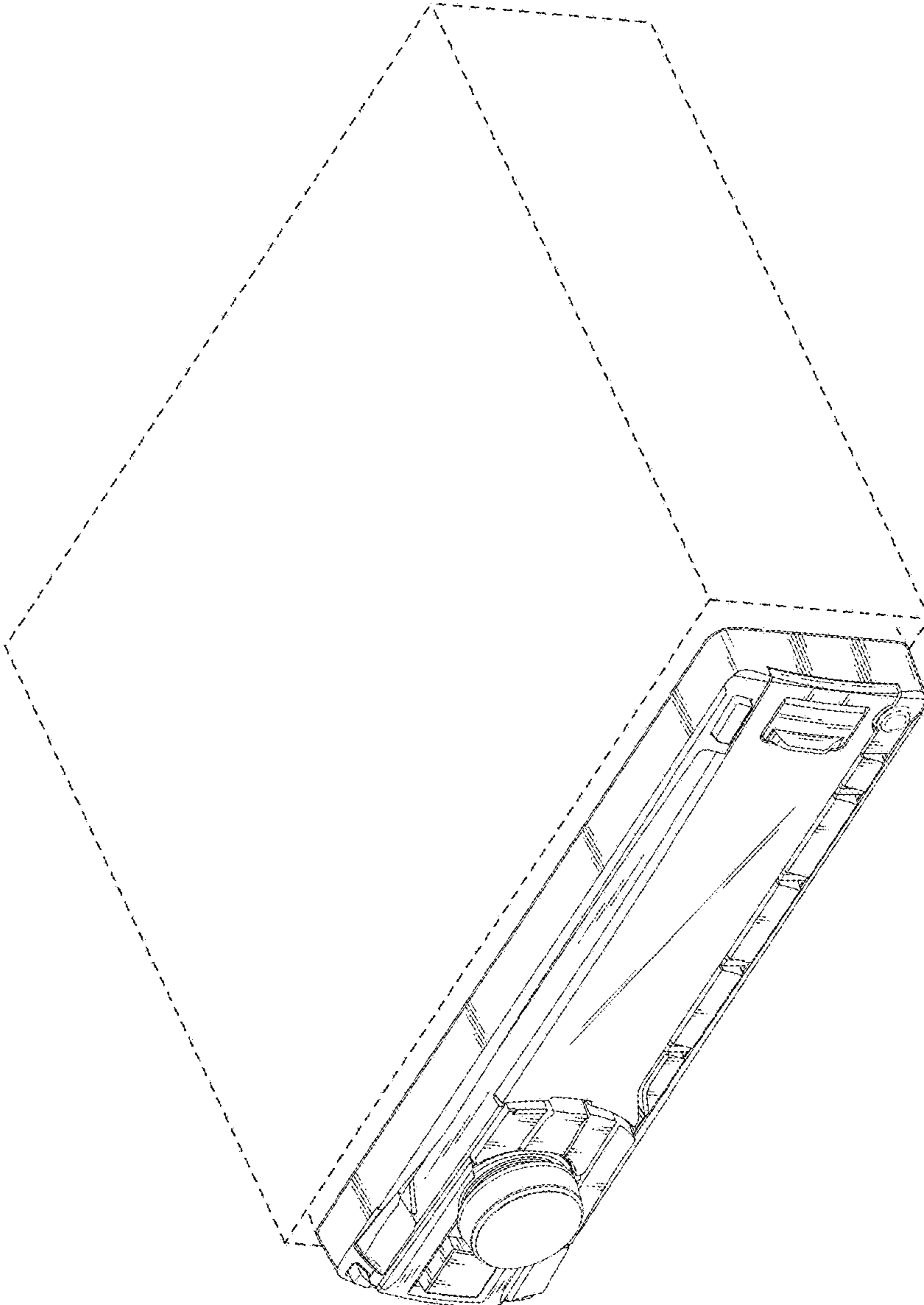


FIG. 1

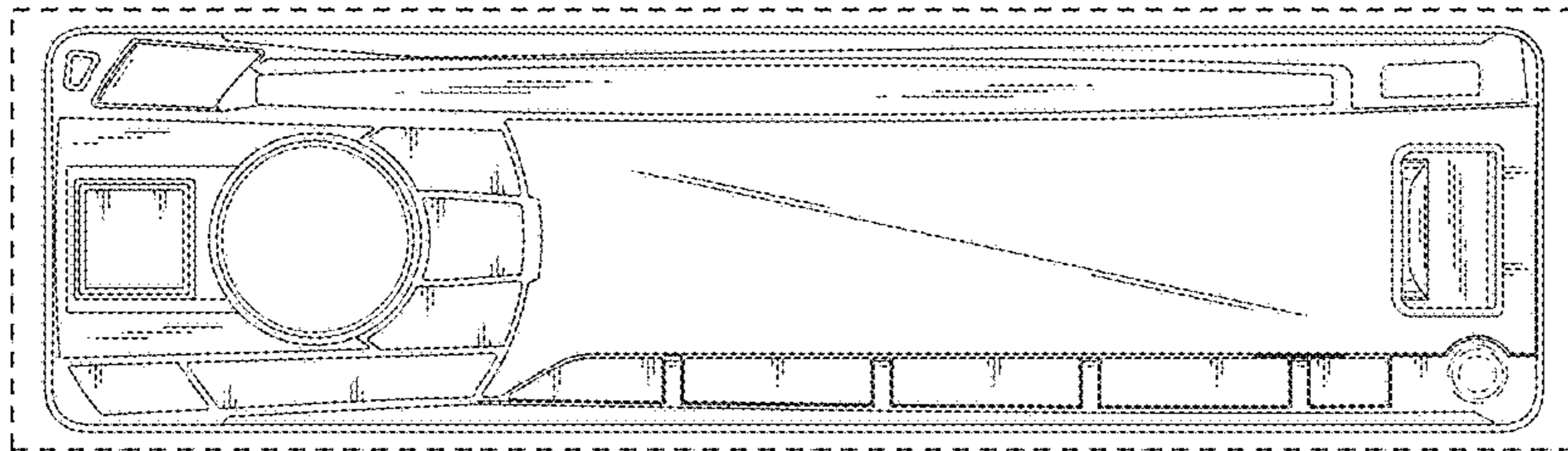


FIG. 2



FIG. 3

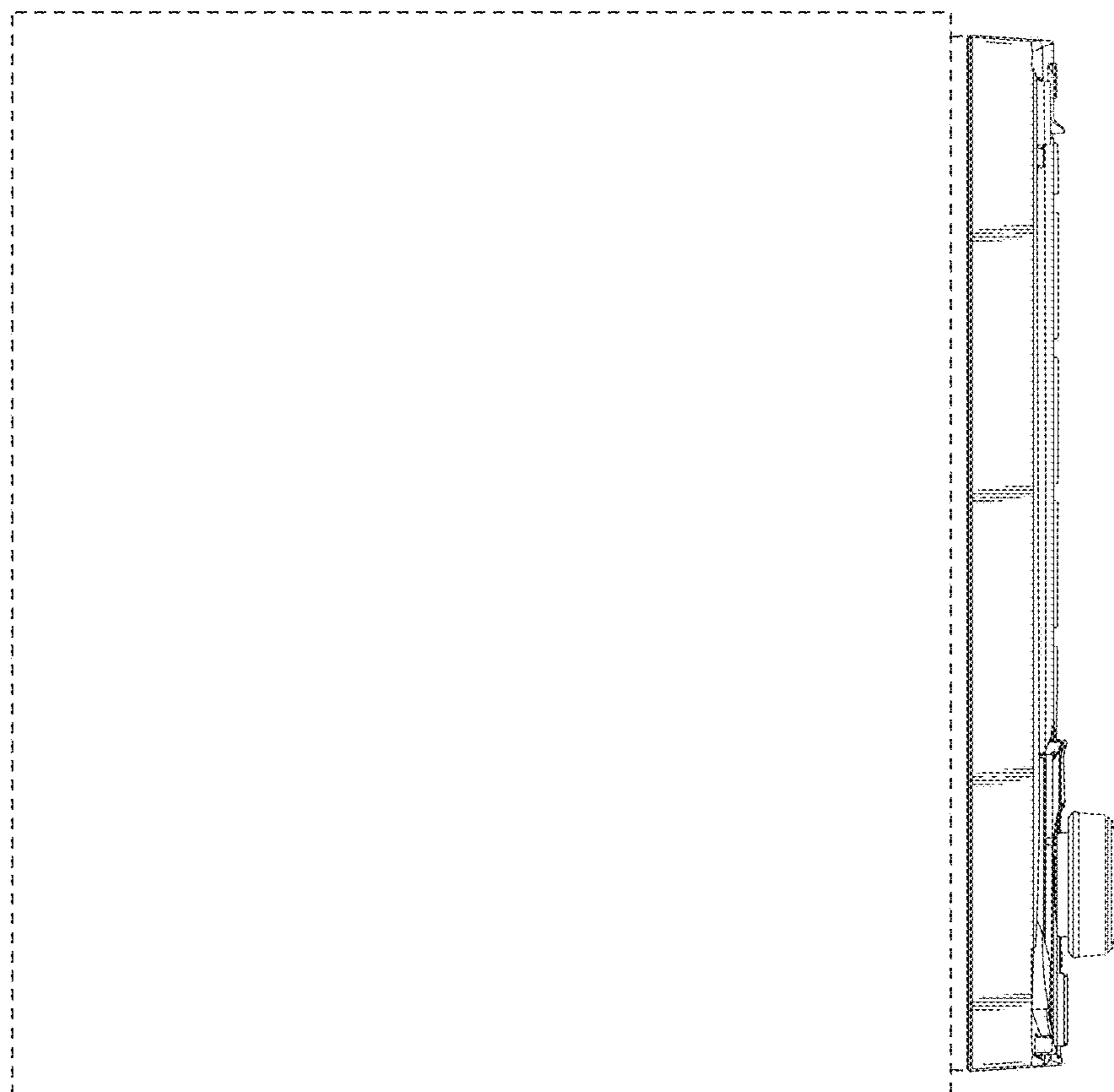


FIG. 4

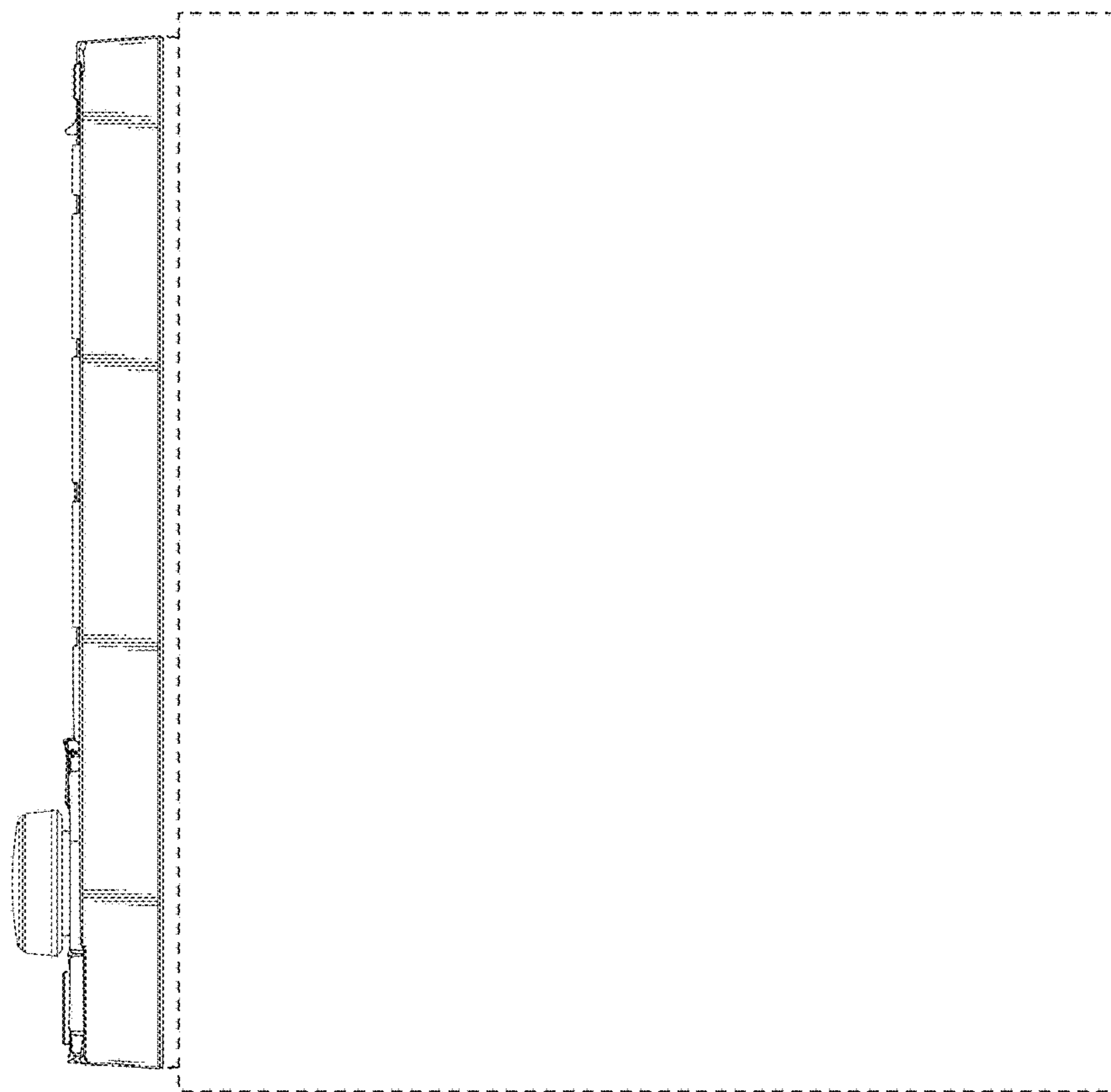


FIG. 5



FIG. 6



FIG. 7