



US00D838710S

(12) **United States Design Patent**
Wang

(10) **Patent No.:** **US D838,710 S**
(45) **Date of Patent:** **** Jan. 22, 2019**

(54) **MOBILE PHONE CASE**

(71) Applicant: **Jiacheng Wang**, Guangdong (CN)

(72) Inventor: **Jiacheng Wang**, Guangdong (CN)

(73) Assignee: **Shenzhen Ya Sheng Wei Ge Science and Technology Co., Ltd.**, Longgang Dist., Shenzhen, Guangdong (CN)

(**) Term: **15 Years**

(21) Appl. No.: **29/615,745**

(22) Filed: **Aug. 30, 2017**

(30) **Foreign Application Priority Data**

Aug. 24, 2017 (CN) 2017 3 0393030

(51) **LOC (11) Cl.** **14-03**

(52) **U.S. Cl.**
USPC **D14/250**

(58) **Field of Classification Search**
USPC D14/250
CPC H04B 1/385
See application file for complete search history.

(56) **References Cited**

U.S. PATENT DOCUMENTS

D768,615 S *	10/2016	Wang	D14/250
D788,090 S *	5/2017	Kim	D14/250
9,661,116 B1 *	5/2017	Chung	A45C 11/00
D801,960 S *	11/2017	Kim	D14/250
D815,084 S *	4/2018	Fitzgerald	D14/250
D823,298 S *	7/2018	Kim	D14/250
D827,627 S *	9/2018	Lee	D14/250
D828,346 S *	9/2018	Kim	D14/250

OTHER PUBLICATIONS

Alpatronix BX430plus Galaxy S8 Plus Battery Case, posted at amazon.com, posting date by Mar. 18, 2018, [online], [site visited

Sep. 25, 2018]. Available from Internet, URL: <https://www.amazon.com/Compatible-Alpatronix-BX430plus-Rechargeable-Protective/dp/B07B3QL75J> (Year: 2018).*

Galaxy S8 Case Caseology Legion Series, posted at amazon.com, posting date by Apr. 20, 2017, [online], [site visited Sep. 25, 2018]. Available from Internet, URL: <https://www.amazon.com/Caseology-Protection-Protective-Cushion-Samsung/dp/B06XJ7P4MY> (Year : 2017).*

Ghostek Galaxy S9 Plus Case, posted at ebay.com, posting date not given, [online], [site visited Sep. 25, 2018]. Available from Internet, URL: <https://www.ebay.com/itm/For-Galaxy-S9-Plus-S9-Case-Ghostek-CLOAK-Slim-Clear-Wireless-Charging-Cover/292490698807> (Year: 2018).*

Vanjunn Samsung S6 Edge LED Selfie Light Case, posted at amazon.com, posting date by Oct. 28, 2017, [online], [site visited Sep. 25, 2018]. Available from Internet, URL: <https://www.amazon.com/Vanjunn-Samsung-Edge-Selfie-Light/dp/B073WFM8KW> (Year: 2017).*

* cited by examiner

Primary Examiner — George D. Kirschbaum

Assistant Examiner — Maria J Edwards

(57) **CLAIM**

The ornamental design for mobile phone case, as shown and described.

DESCRIPTION

FIG. 1 is a perspective view of mobile phone case showing my new design;

FIG. 2 is a front elevational view thereof;

FIG. 3 is a rear elevational view thereof;

FIG. 4 is a left side elevational view thereof;

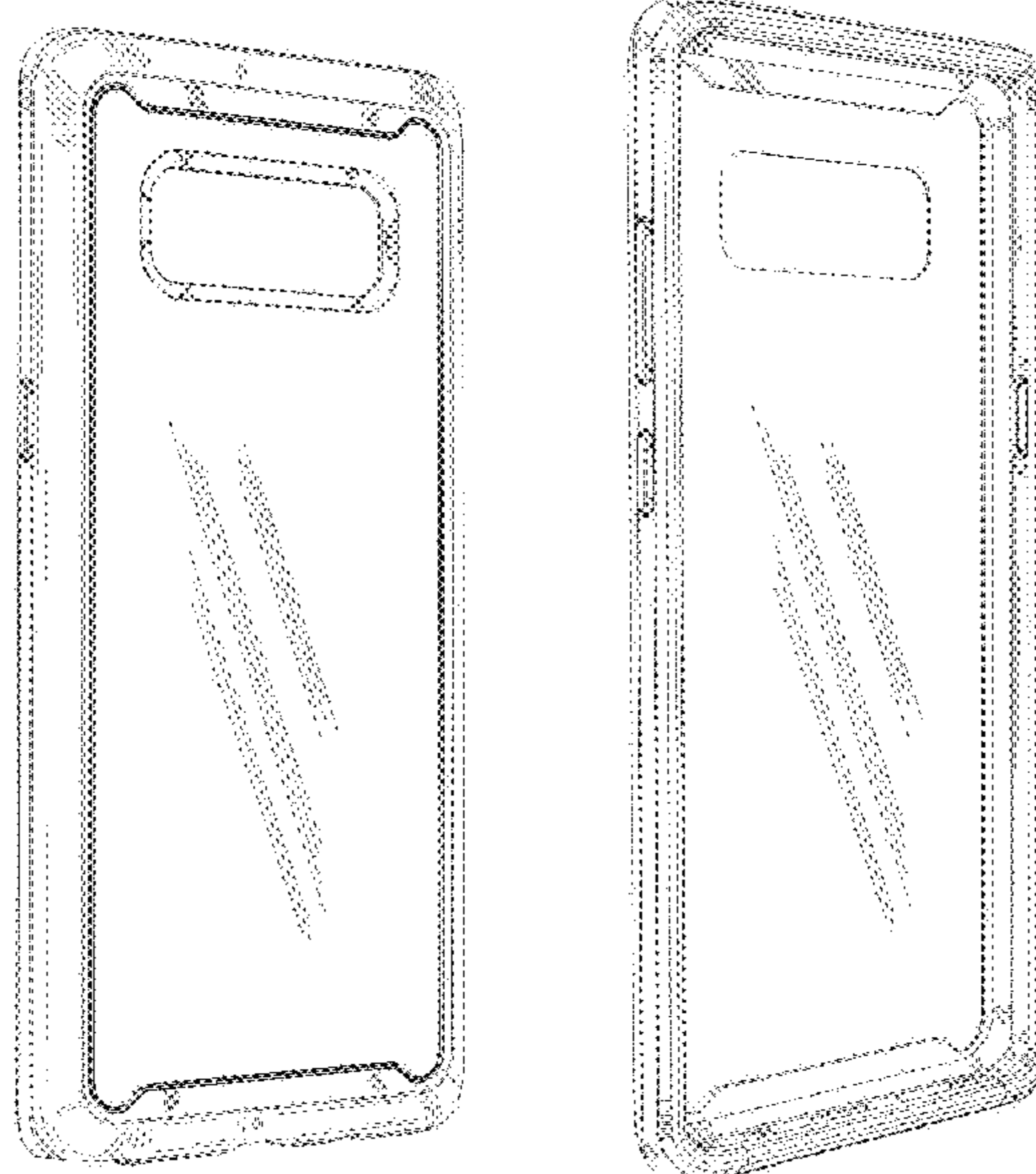
FIG. 5 is a right side elevational view thereof;

FIG. 6 is a top plan view thereof;

FIG. 7 is a bottom plan view thereof; and,

FIG. 8 is another perspective view thereof.

1 Claim, 8 Drawing Sheets



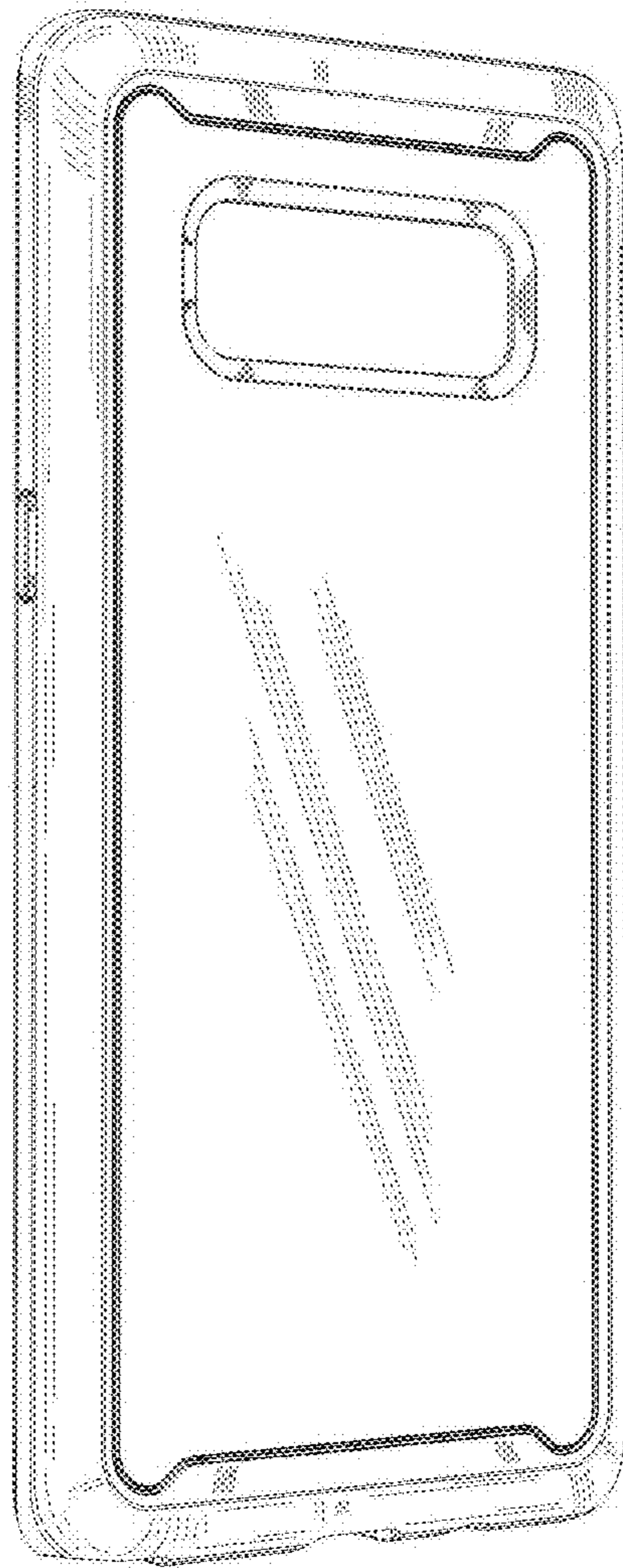


FIG. 1

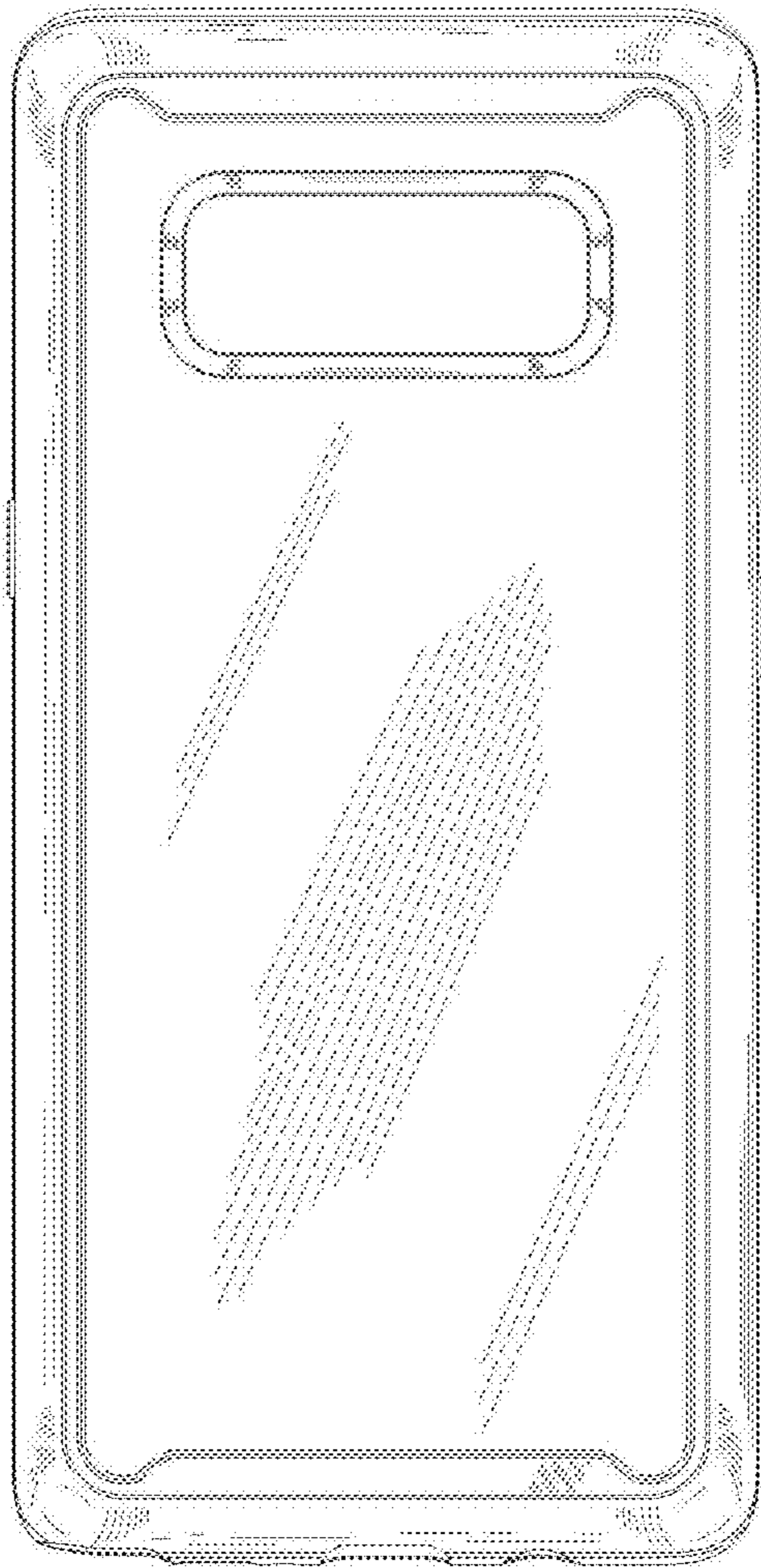


FIG.2

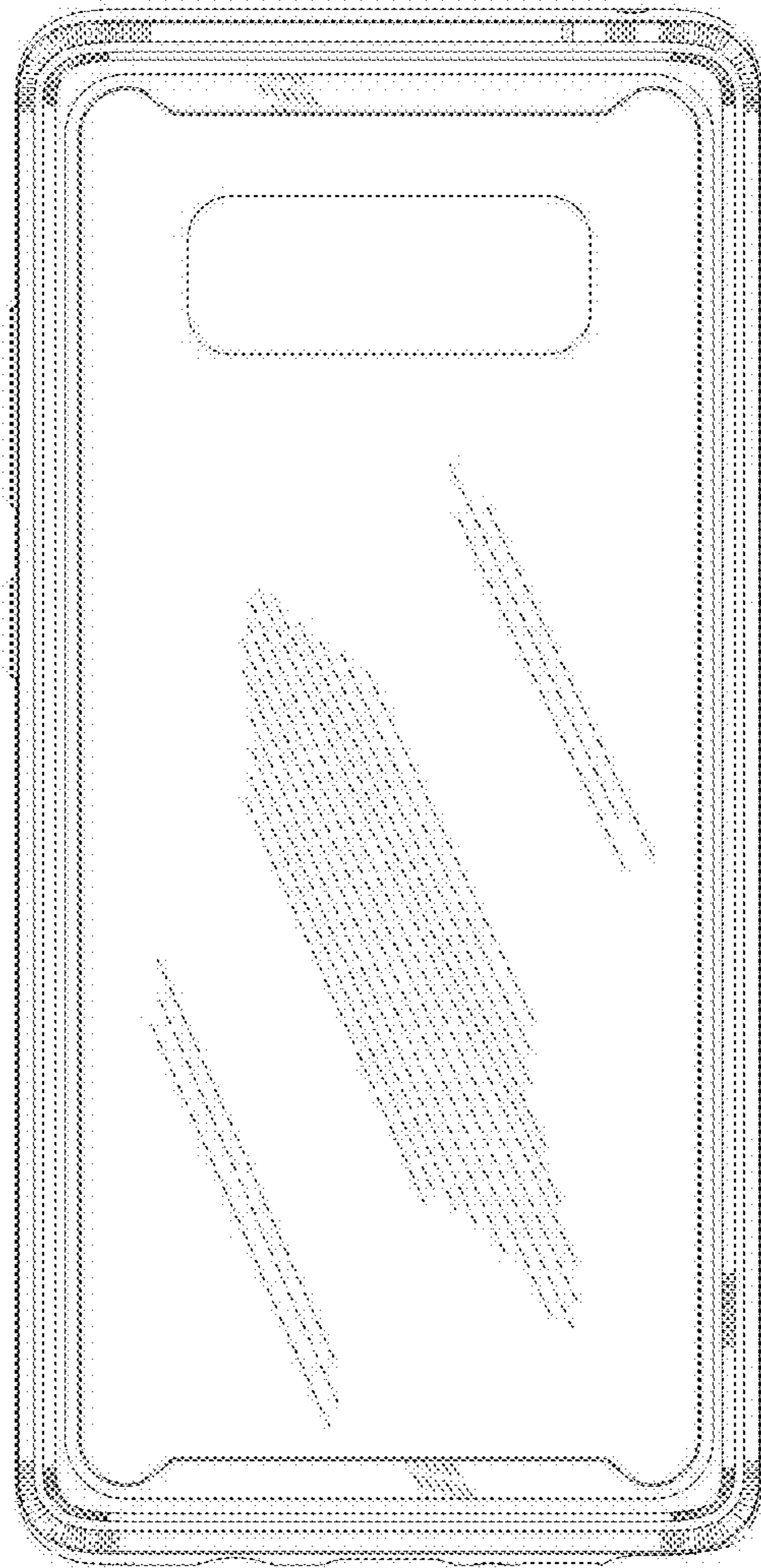


FIG.3

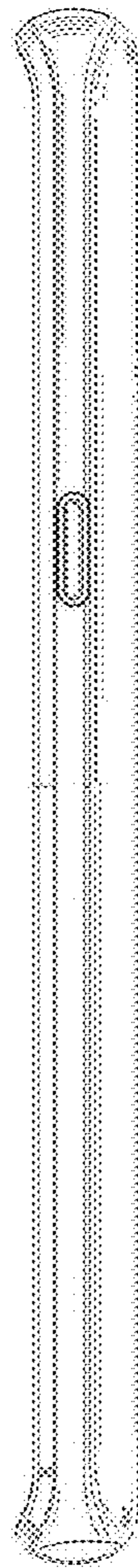


FIG.4

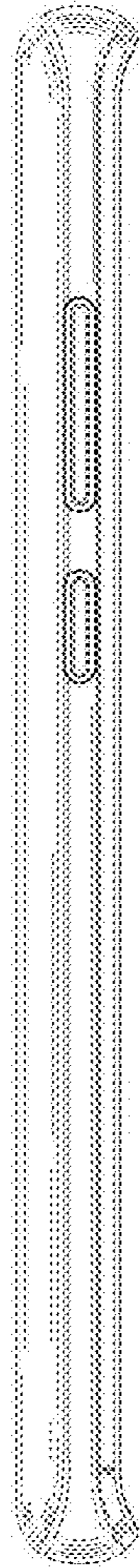


FIG.5

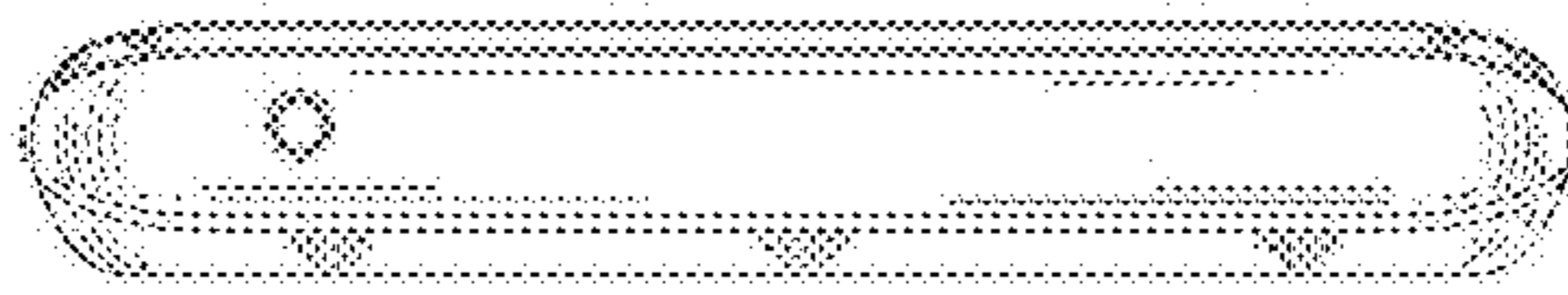


FIG.6

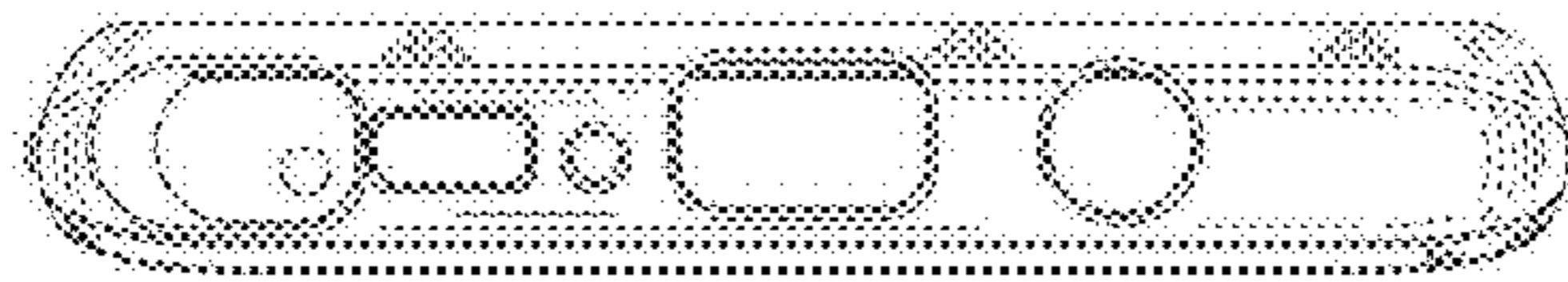


FIG. 7

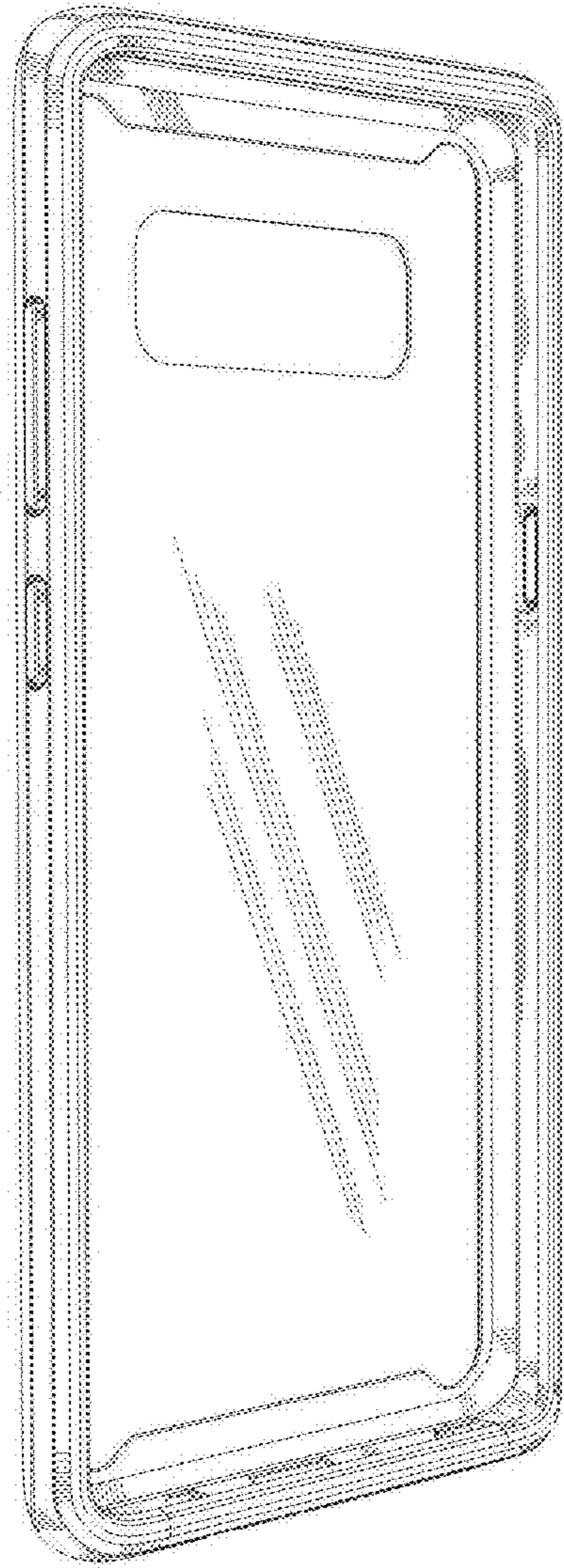


FIG. 8