

US00D838708S

(12) **United States Design Patent**  
**Mitchell**

(10) **Patent No.:** **US D838,708 S**  
(45) **Date of Patent:** **\*\* Jan. 22, 2019**

(54) **LASER TAG SMART PHONE CASE**  
(71) Applicant: **Justin James Joel Mitchell**, San Jose, CA (US)  
(72) Inventor: **Justin James Joel Mitchell**, San Jose, CA (US)  
(\*\*) Term: **15 Years**  
(21) Appl. No.: **29/597,903**

D723,533 S \* 3/2015 Stevinson ..... D14/250  
D724,573 S \* 3/2015 Stevinson ..... D14/250  
D726,701 S \* 4/2015 Stevinson ..... D14/250  
D732,011 S \* 6/2015 Stevinson ..... D14/250  
D735,706 S \* 8/2015 Stevinson ..... D14/250  
D744,470 S \* 12/2015 Stevinson ..... D14/250  
D748,085 S \* 1/2016 Merenda ..... D14/250  
D754,114 S \* 4/2016 Curtis ..... D14/250  
D756,983 S \* 5/2016 Karlsson ..... D14/250  
D759,004 S \* 6/2016 Stevinson ..... D14/250  
D760,209 S \* 6/2016 Weng ..... D14/250  
D771,612 S \* 11/2016 Roberts ..... D14/250

(22) Filed: **Mar. 21, 2017**  
(51) **LOC (11) Cl.** ..... **14-03**  
(52) **U.S. Cl.**  
USPC ..... **D14/250**  
(58) **Field of Classification Search**  
USPC ..... D3/201, 207, 208, 212, 218, 232, 233,  
D3/239, 242, 245-251, 269, 273, 301,  
D3/303; D13/103, 107, 108, 119;  
D14/137, 138 R, 138 AA, 138 C, 138 G,  
D14/203.3-203.7, 217, 238.1, 247, 248,  
D14/250, 251-253, 440, 447  
CPC ..... H04B 1/3888; H04M 1/0283; H04M  
1/0202; A45C 1/06; A45C 2011/002;  
A45C 23/02; A45C 11/00; A45F  
2005/028; A45F 2200/0525; A45F  
2200/0518  
See application file for complete search history.

\* cited by examiner

*Primary Examiner* — Susan E Krakower  
*Assistant Examiner* — L. A. Grabenstetter  
(74) *Attorney, Agent, or Firm* — Dunlap Bennett & Ludwig PLLC

(57) **CLAIM**

The ornamental design for a laser tag smart phone case, as shown and described.

**DESCRIPTION**

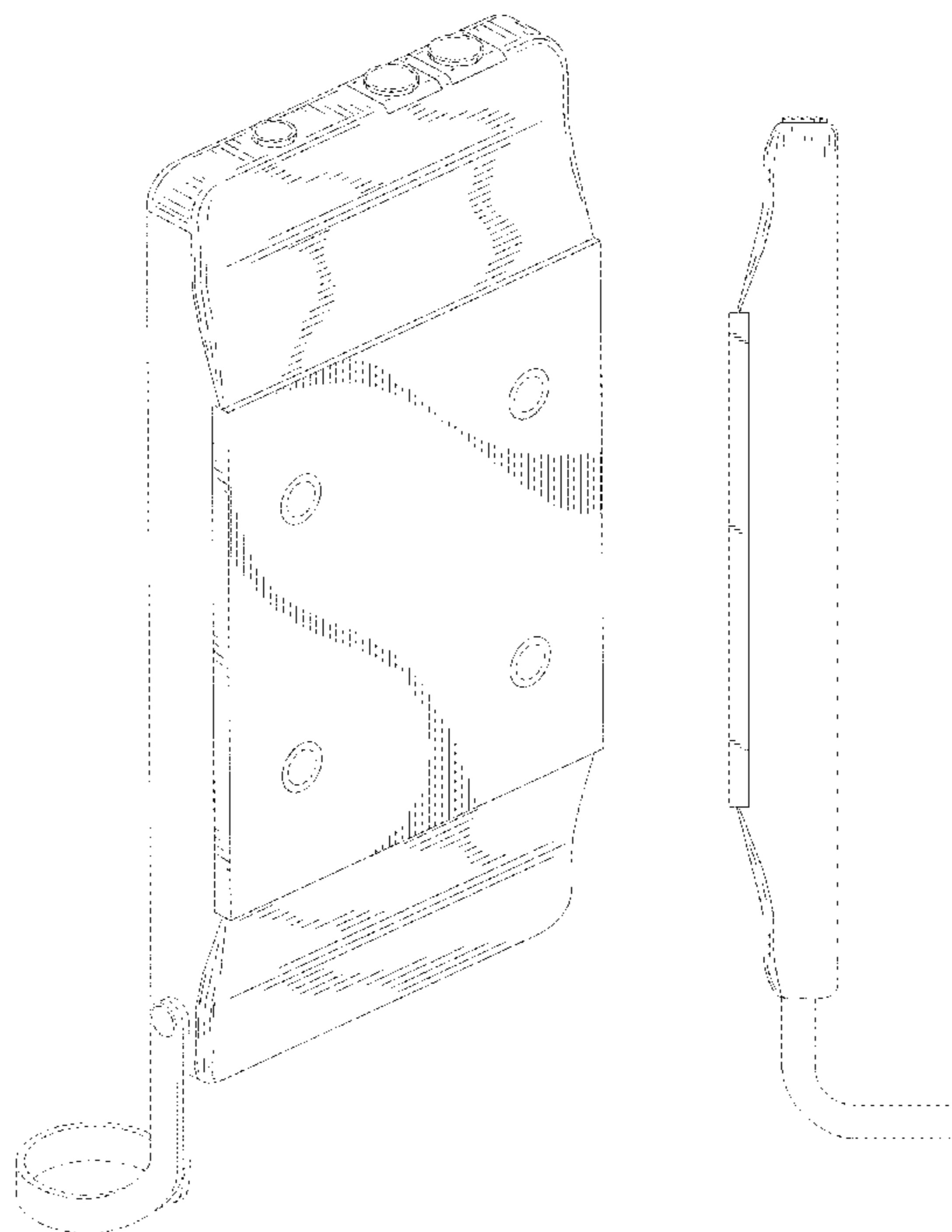
FIG. 1 is a perspective view of a laser tag smart phone case; FIG. 2 is a right elevation view thereof; FIG. 3 is a front elevation view thereof; FIG. 4 is a left elevation view thereof; FIG. 5 is a rear elevation view thereof; FIG. 6 is a top plan view thereof; and, FIG. 7 is a bottom plan view thereof. The broken lines shown in the drawings depict portions of the laser tag smart phone case that form no part of the claimed design.

(56) **References Cited**

U.S. PATENT DOCUMENTS

D621,393 S \* 8/2010 Panahi ..... D13/103  
D663,725 S \* 7/2012 Polito ..... D14/250  
D678,870 S \* 3/2013 Fathollahi ..... D14/250  
D698,772 S \* 2/2014 Merenda ..... D14/250

**1 Claim, 4 Drawing Sheets**



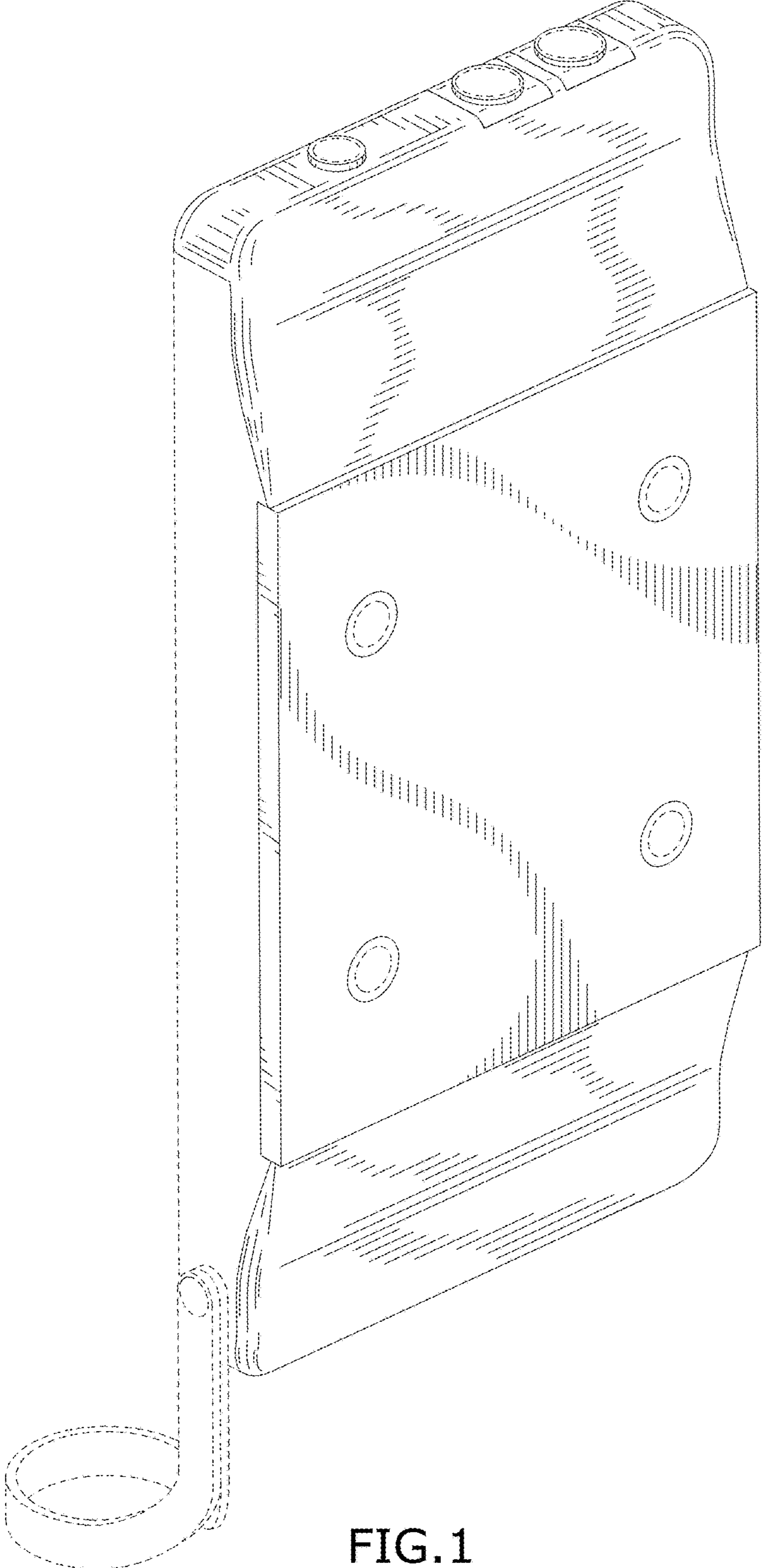


FIG. 1

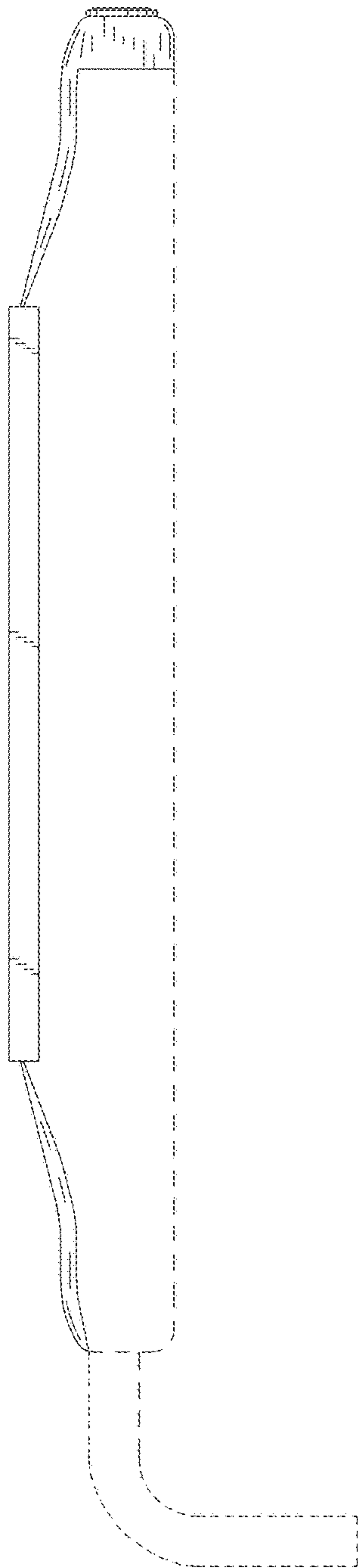


FIG. 2

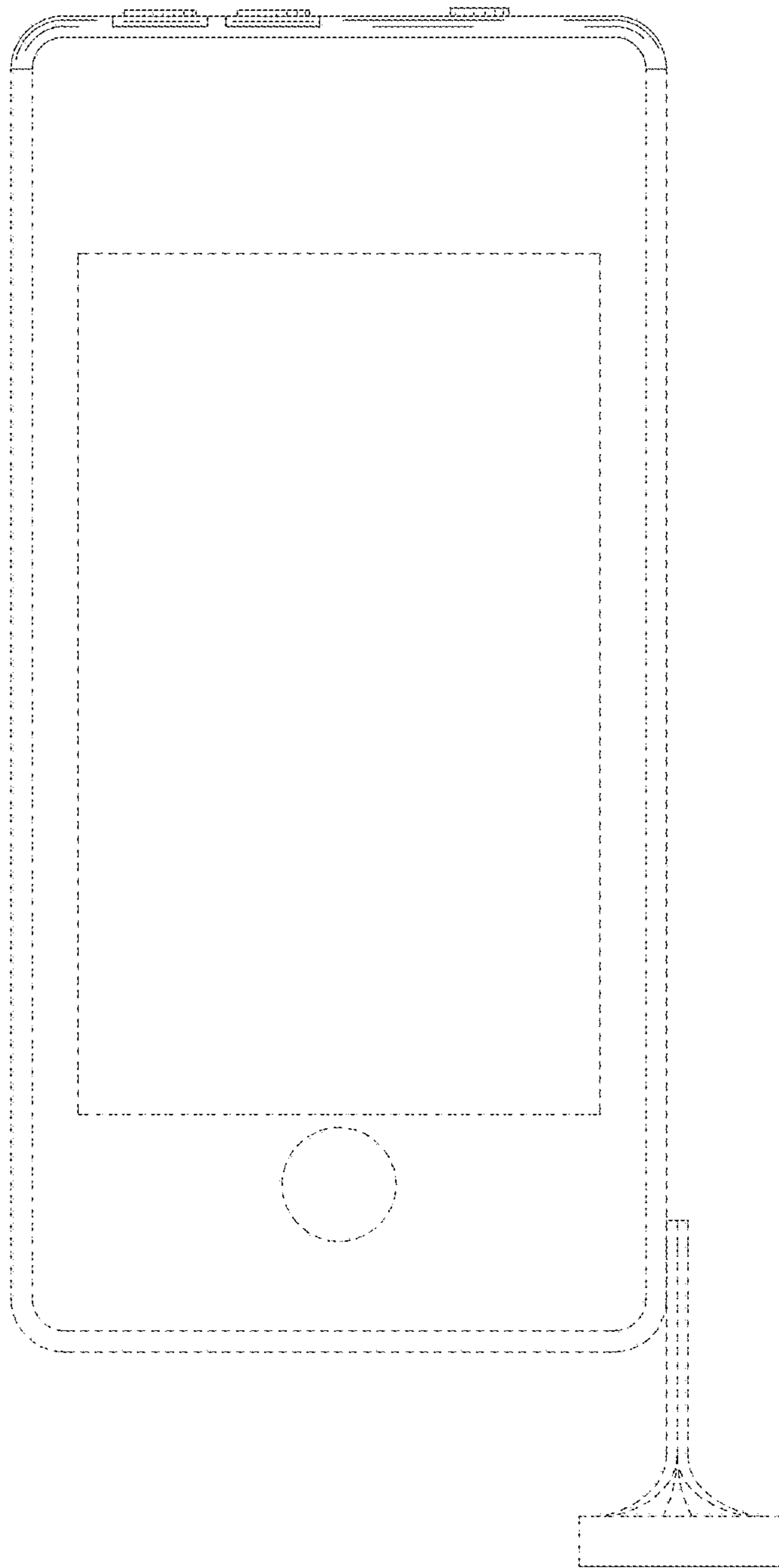


FIG. 3

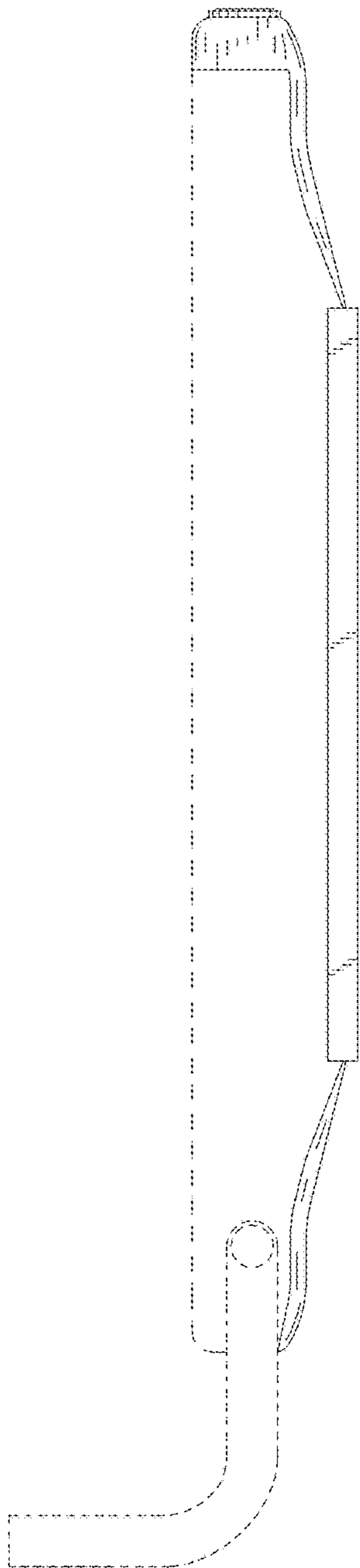


FIG. 4

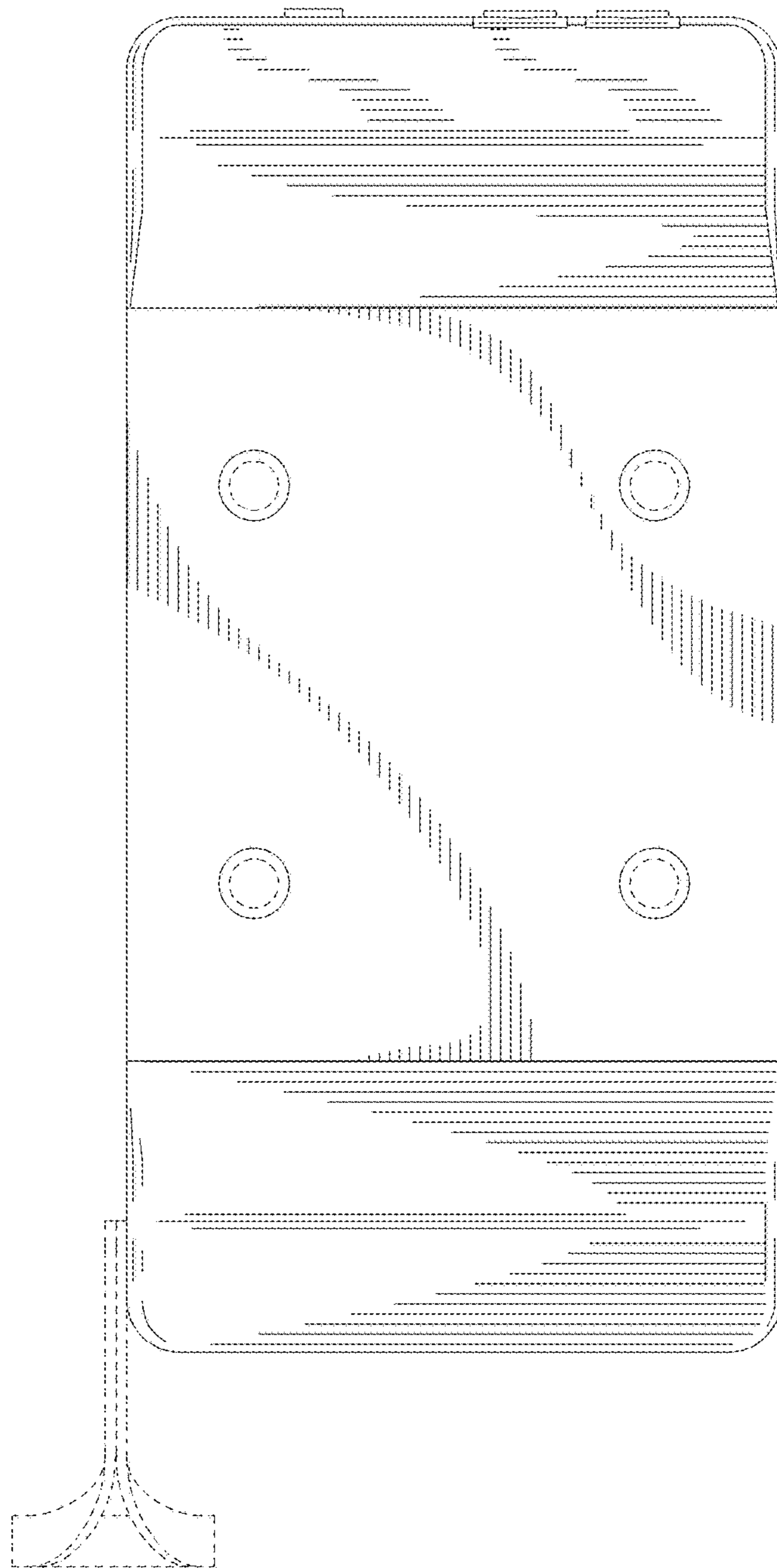


FIG. 5

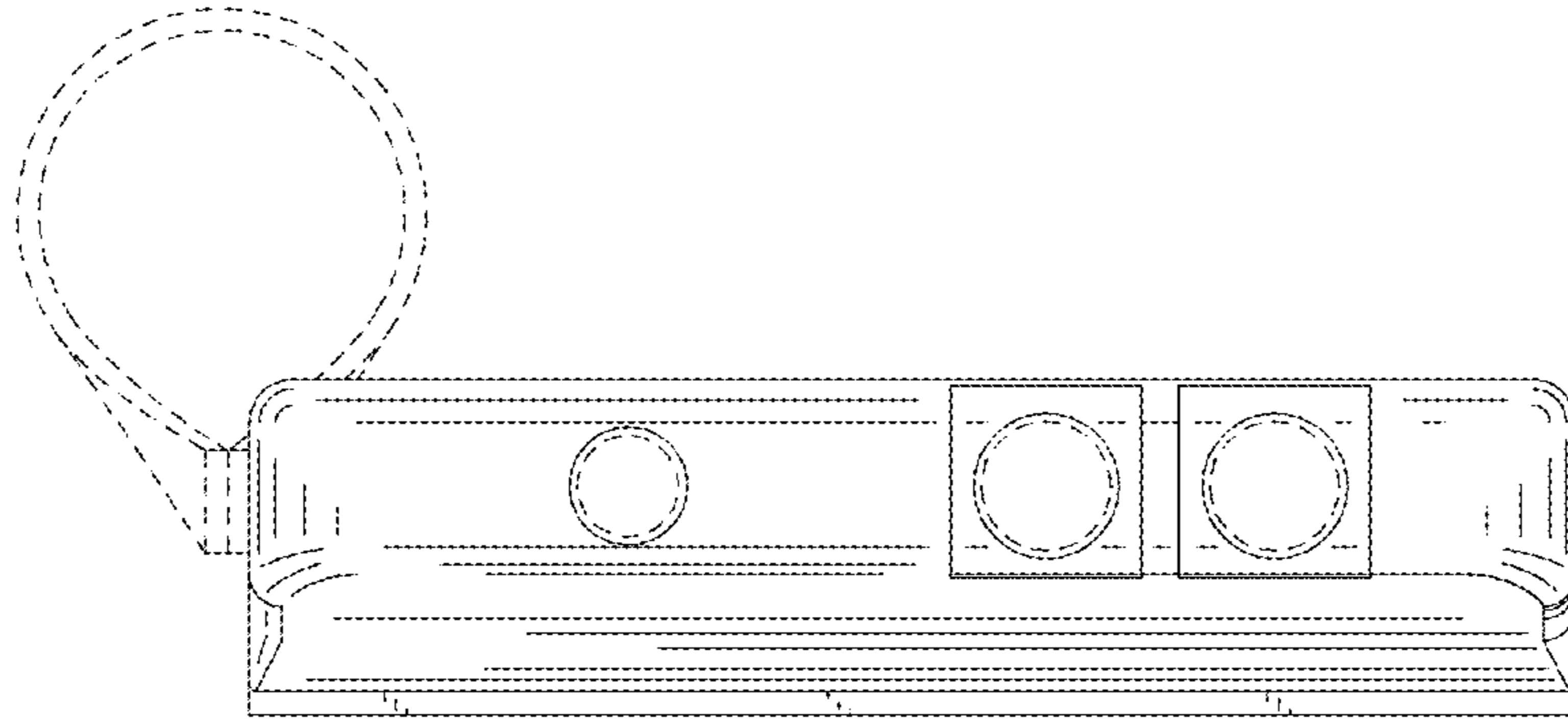


FIG. 6

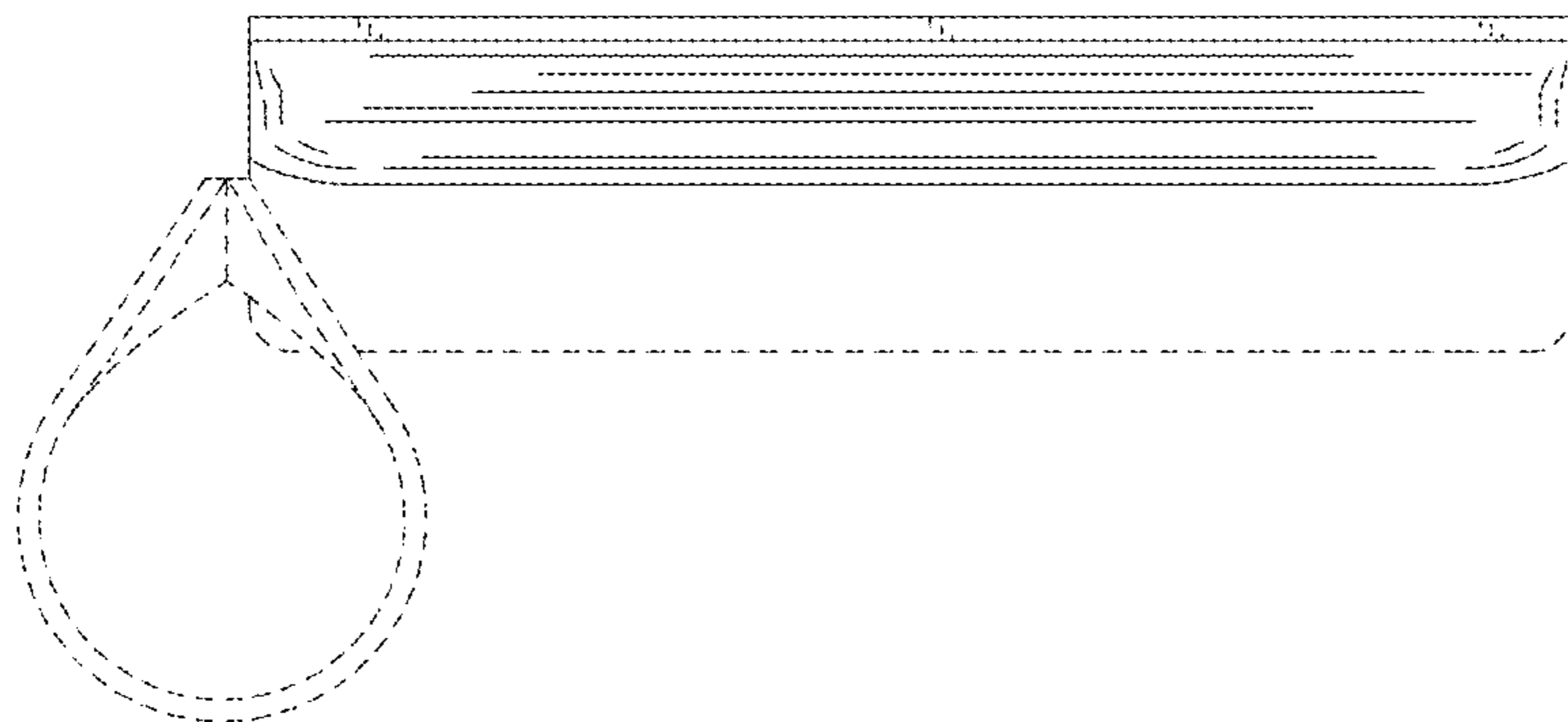


FIG. 7