



US00D838693S

(12) **United States Design Patent**
Fu

(10) **Patent No.:** **US D838,693 S**

(45) **Date of Patent:** **** Jan. 22, 2019**

- (54) **EARPHONE**
- (71) Applicant: **Yaoping Fu, Jiangxi (CN)**
- (72) Inventor: **Yaoping Fu, Jiangxi (CN)**
- (**) Term: **15 Years**
- (21) Appl. No.: **29/605,648**
- (22) Filed: **May 29, 2017**
- (51) **LOC (11) Cl.** **14-01**
- (52) **U.S. Cl.**
USPC **D14/223**
- (58) **Field of Classification Search**
USPC D14/223, 205; D24/174; 128/865, 866,
128/867; 181/129, 130, 135; 379/430,
379/431; 381/380, 381, 374; 455/90.3,
455/575.1, 569.1
CPC H04R 1/10; H04R 25/00; H04R 25/02;
H04R 1/1066; H04R 1/1016; H04R
1/1033; H04R 1/105; H04R 1/1091
See application file for complete search history.

(56) **References Cited**

U.S. PATENT DOCUMENTS

2,812,826	A *	11/1957	Hawley	H04R 1/38 181/242
3,154,171	A *	10/1964	Knutson	H04R 1/086 181/158
4,133,984	A *	1/1979	Akiyama	H04R 25/456 181/135
D259,279	S *	5/1981	Takeda	D24/106
D348,067	S *	6/1994	Lucey	D14/223
D375,959	S *	11/1996	Davis	D14/206
D532,110	S *	11/2006	Bailey	D24/174
D567,217	S *	4/2008	Kamo	D14/205
D573,588	S *	7/2008	Warren	D14/225
D605,628	S *	12/2009	Ando	D14/205
7,648,005	B2 *	1/2010	Leong	A61F 11/08 128/867

7,697,710	B2 *	4/2010	Yang	H04R 1/1091 381/186
7,708,110	B2 *	5/2010	Leong	A61F 11/08 128/867
D635,678	S *	4/2011	Laperle	D24/174
D635,960	S *	4/2011	Gondo	D14/223
D636,763	S *	4/2011	Walter	D14/223
D643,416	S *	8/2011	Chong	D14/223
8,265,328	B2 *	9/2012	Milde	H04R 1/1066 381/370
D680,102	S *	4/2013	Chen	D14/223
D685,764	S *	7/2013	Coulter	D14/205
D724,226	S *	3/2015	Marcher	D24/174
D726,145	S *	4/2015	Hsieh	D14/205
D746,792	S *	1/2016	Kim	D14/205
D761,770	S *	7/2016	Kanou	D14/206

(Continued)

Primary Examiner — Paula Allen Greene
(74) *Attorney, Agent, or Firm* — ScienBiziP, P.C.

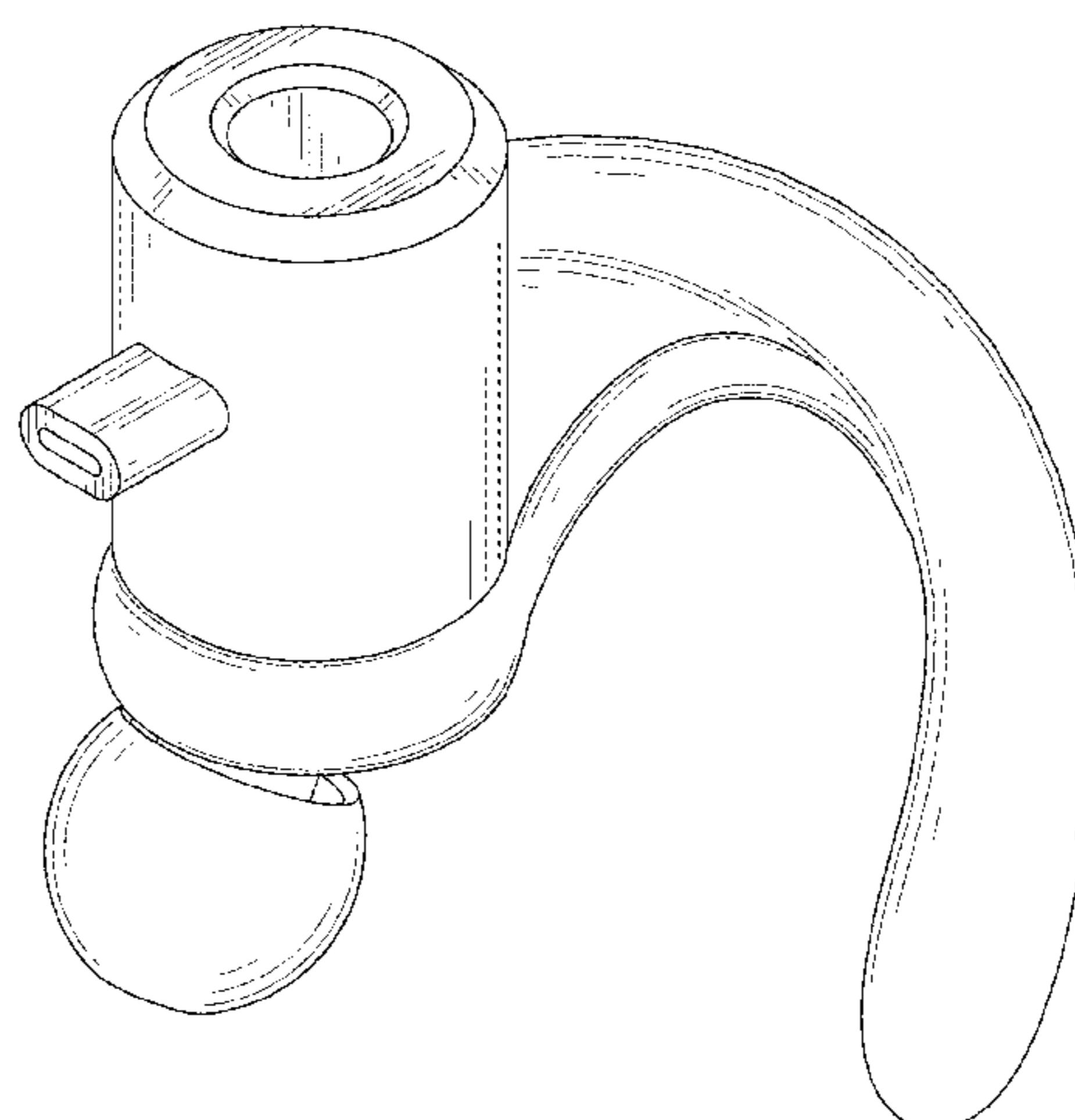
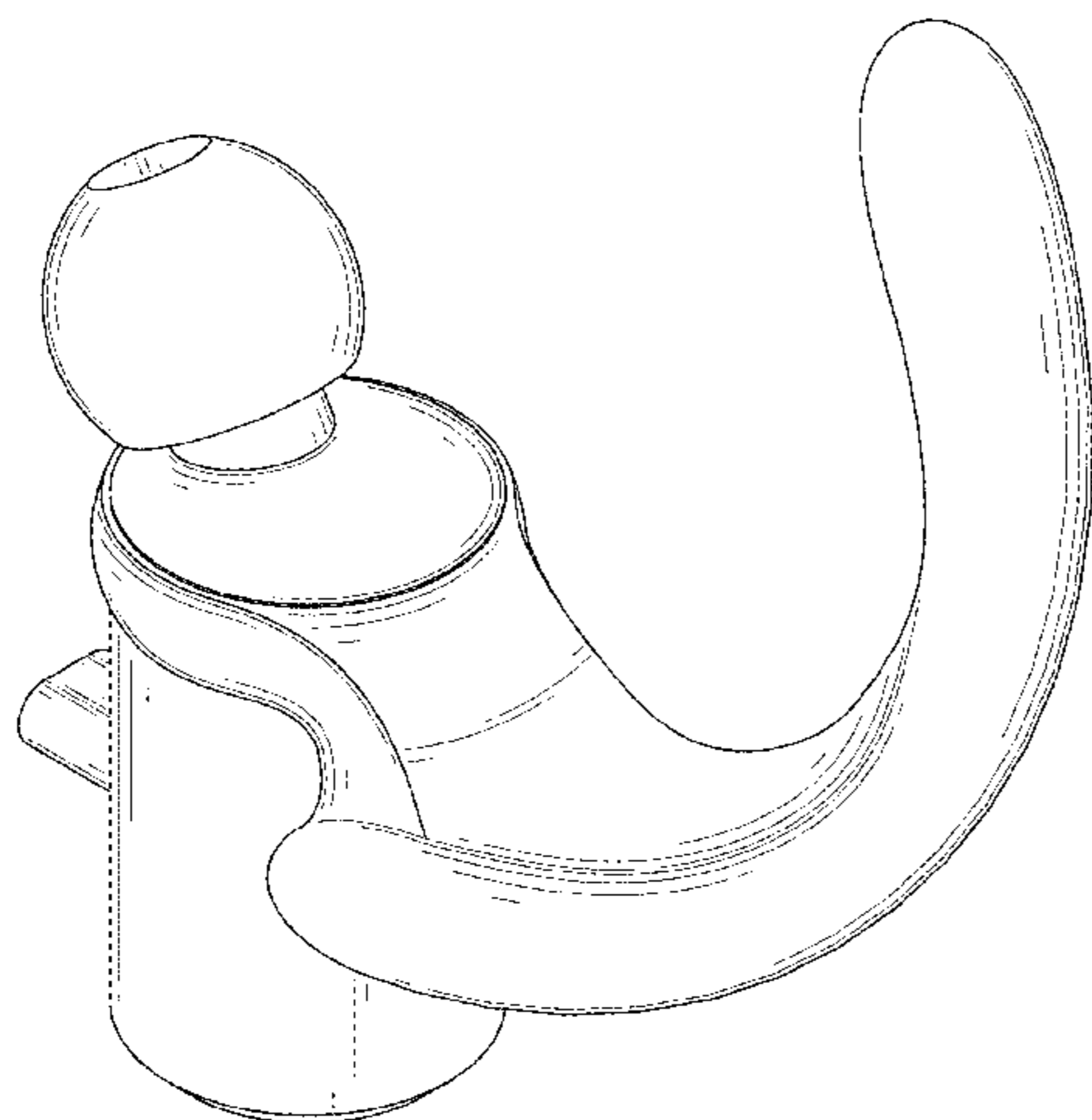
(57) **CLAIM**

The ornamental design for an earphone, as shown and described.

DESCRIPTION

FIG. 1 is a first perspective view of an earphone showing my new design;
 FIG. 2 is a second perspective view thereof;
 FIG. 3 is a front elevational view thereof;
 FIG. 4 is a rear elevational view thereof;
 FIG. 5 is a left side view thereof;
 FIG. 6 is a right side view thereof;
 FIG. 7 is a top plan view thereof;
 FIG. 8 is a bottom plan view thereof; and,
 FIG. 9 is a perspective view showing the earphone in a use state.
 The broken lines in FIG. 9 depicting a cable and another earphone form no part of the claimed design.
 The broken lines depict environment that forms no part of the claimed design.

1 Claim, 9 Drawing Sheets



(56)

References Cited

U.S. PATENT DOCUMENTS

D780,155 S * 2/2017 Levine D14/205
D809,486 S * 2/2018 Arimoto D14/223
D809,487 S * 2/2018 Lee D14/223
D817,933 S * 5/2018 Liu D14/223
2003/0044038 A1* 3/2003 Shirata H04R 1/105
381/381
2012/0045084 A1* 2/2012 Groset B29C 45/0055
381/384
2013/0170692 A1* 7/2013 Kaneko H04R 1/1016
381/380
2017/0105679 A1* 4/2017 Gil A61B 5/6817

* cited by examiner

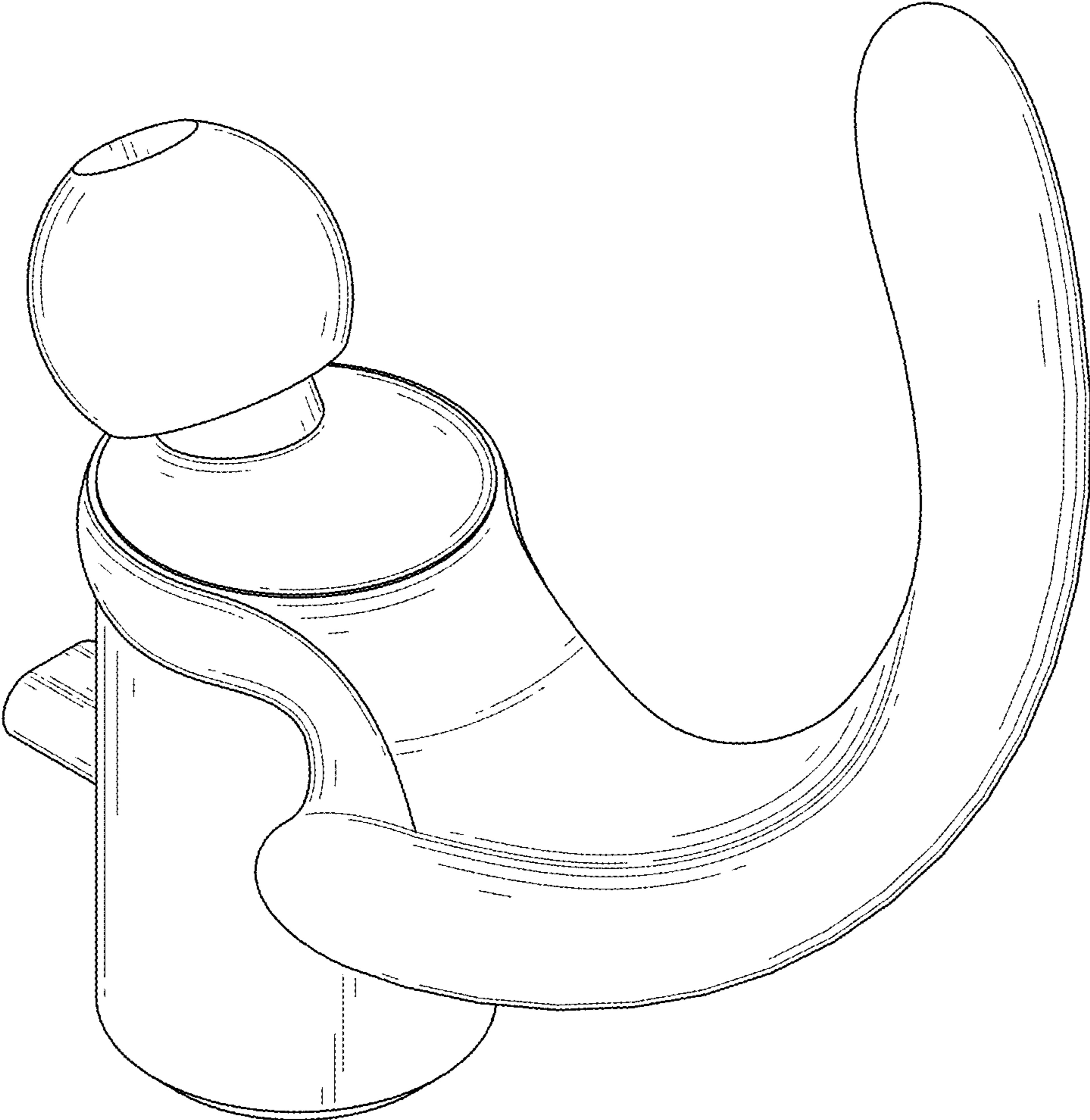


FIG. 1

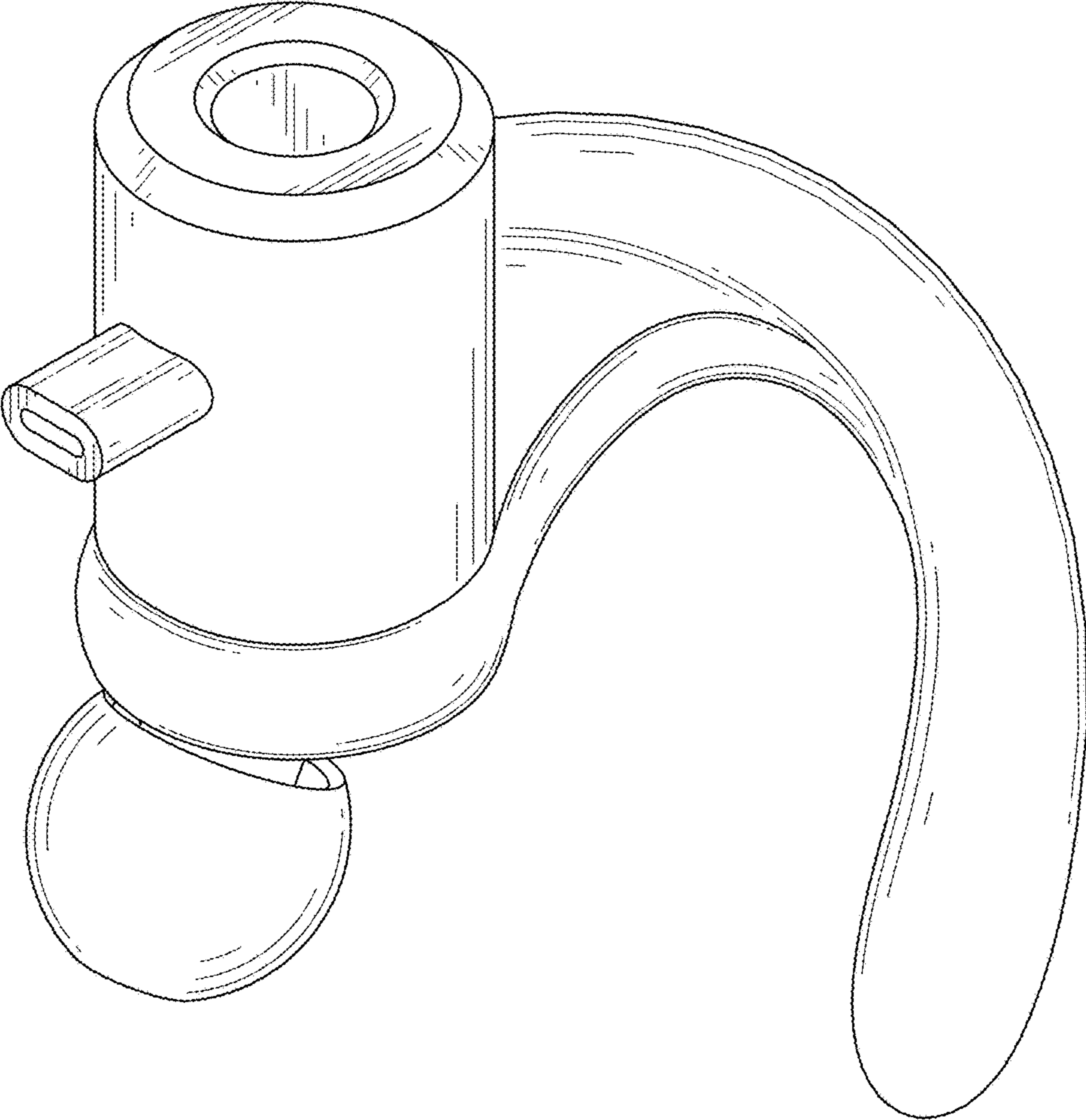


FIG. 2

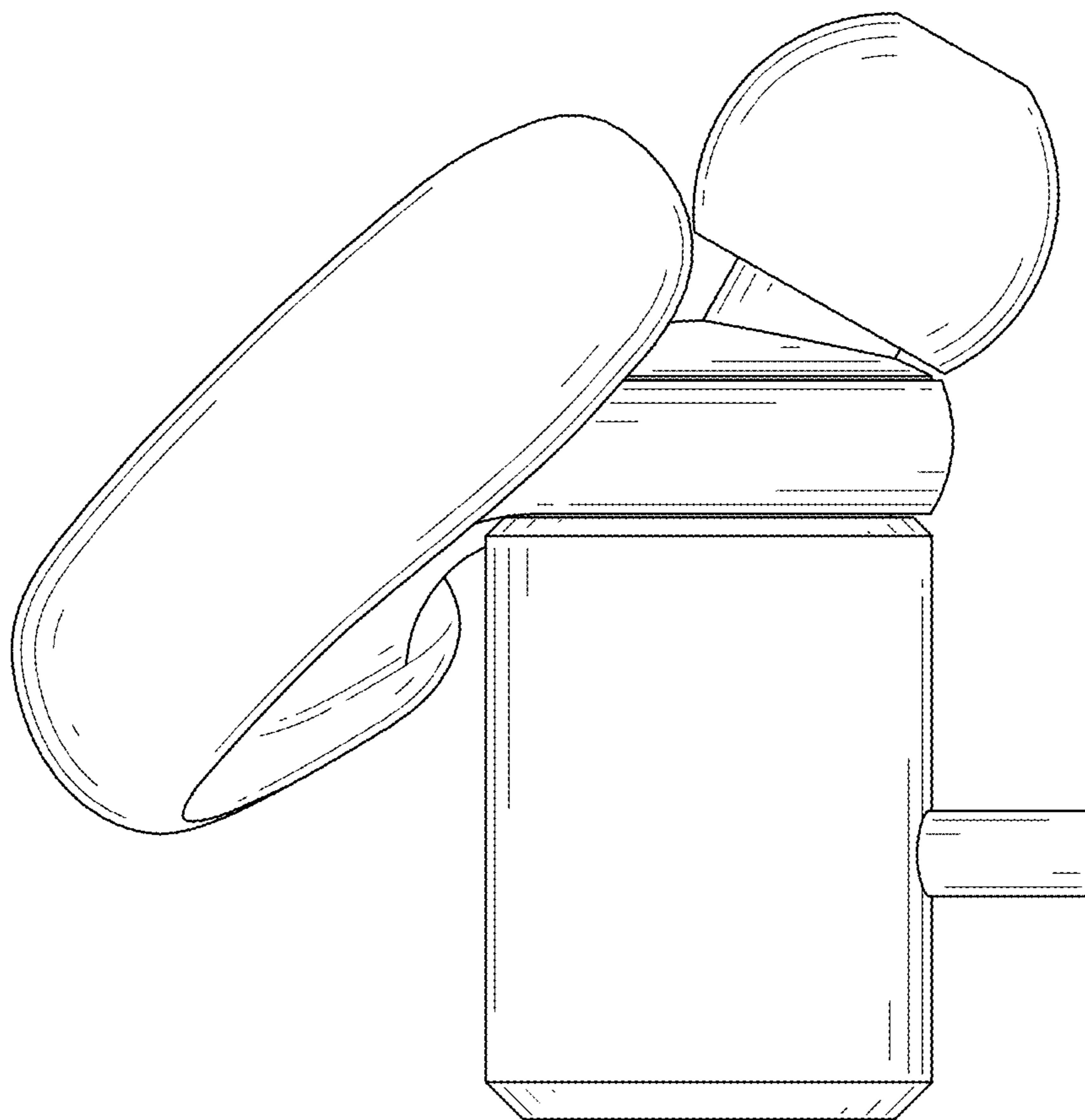


FIG. 3

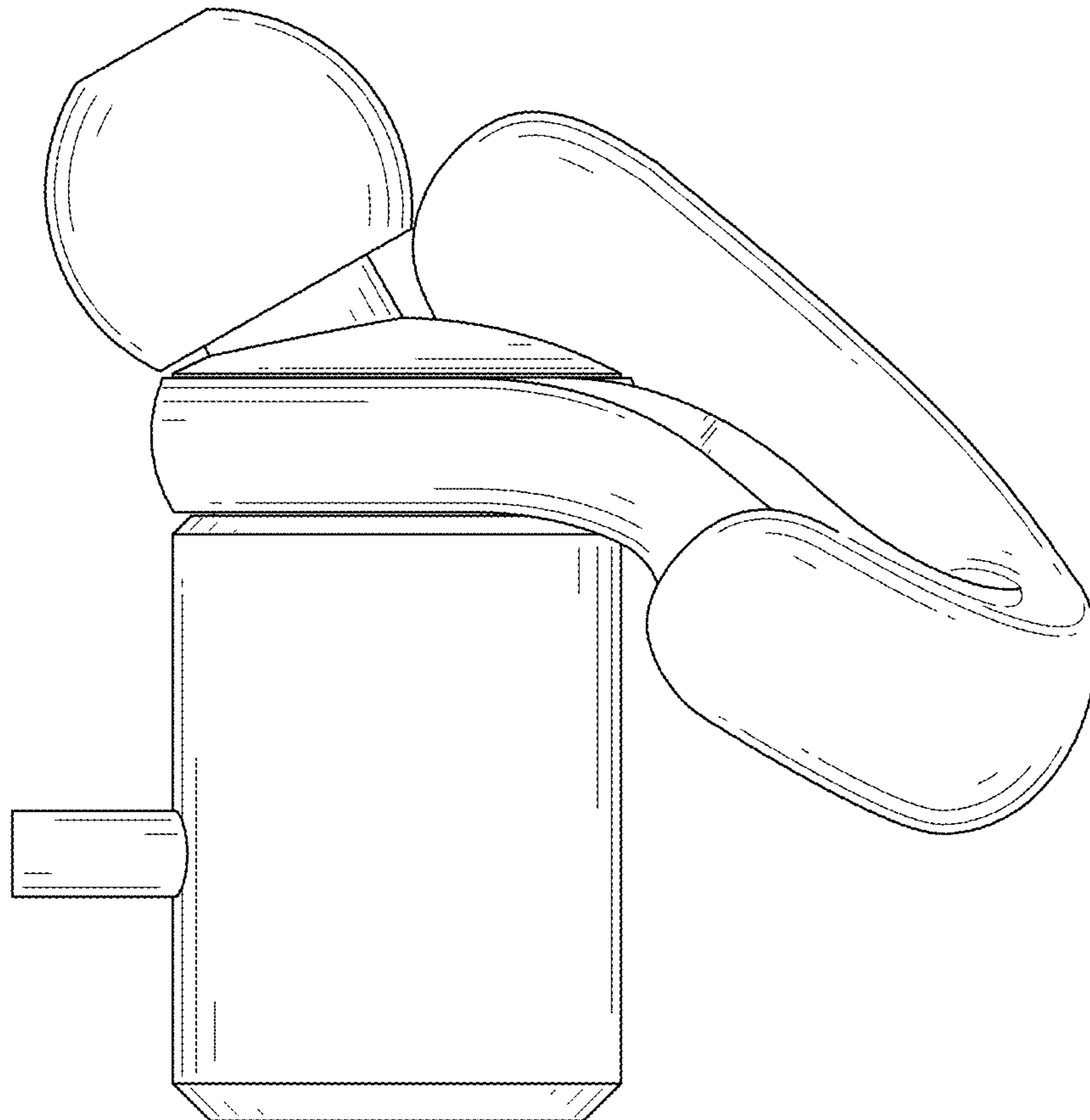


FIG. 4

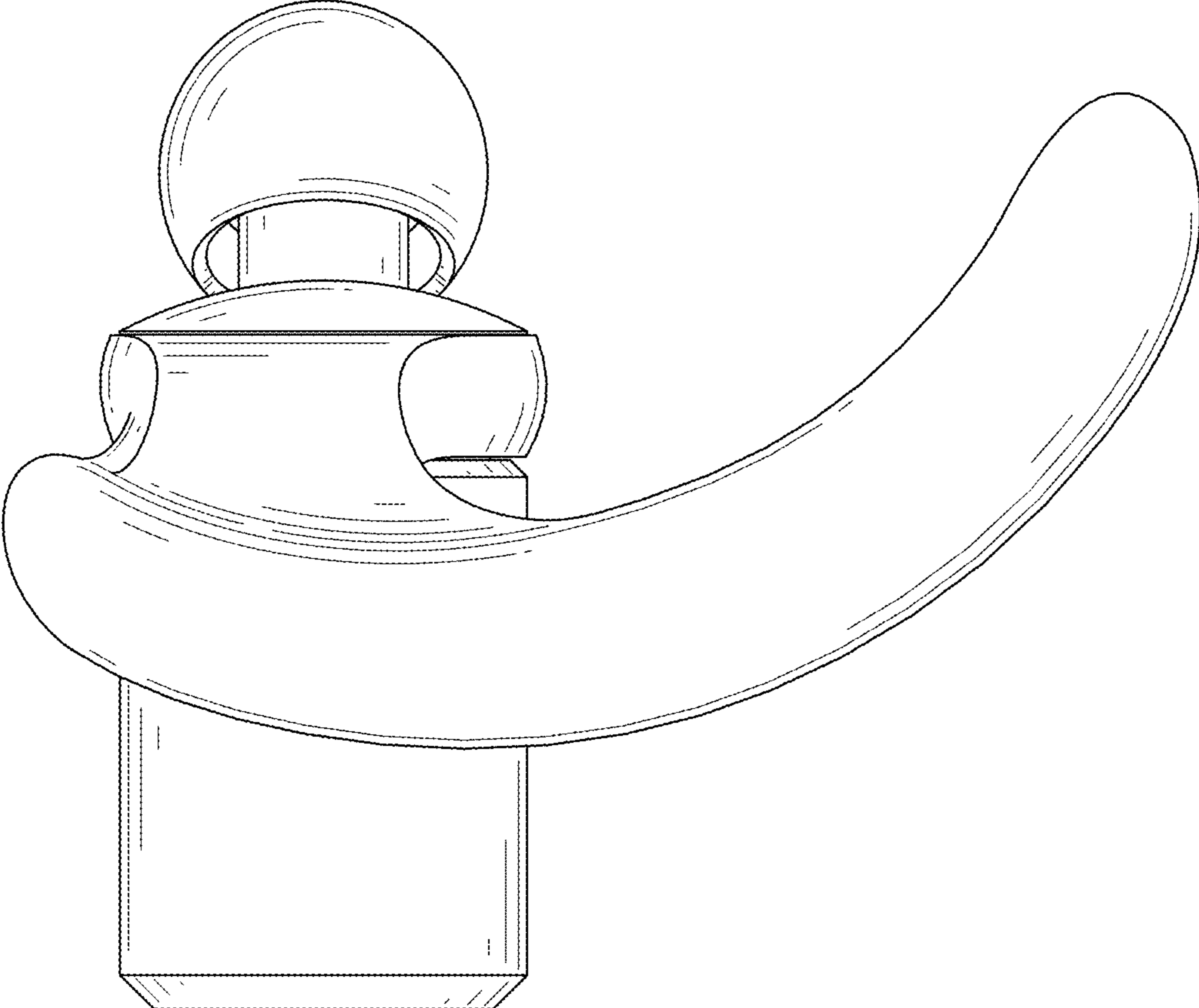


FIG. 5

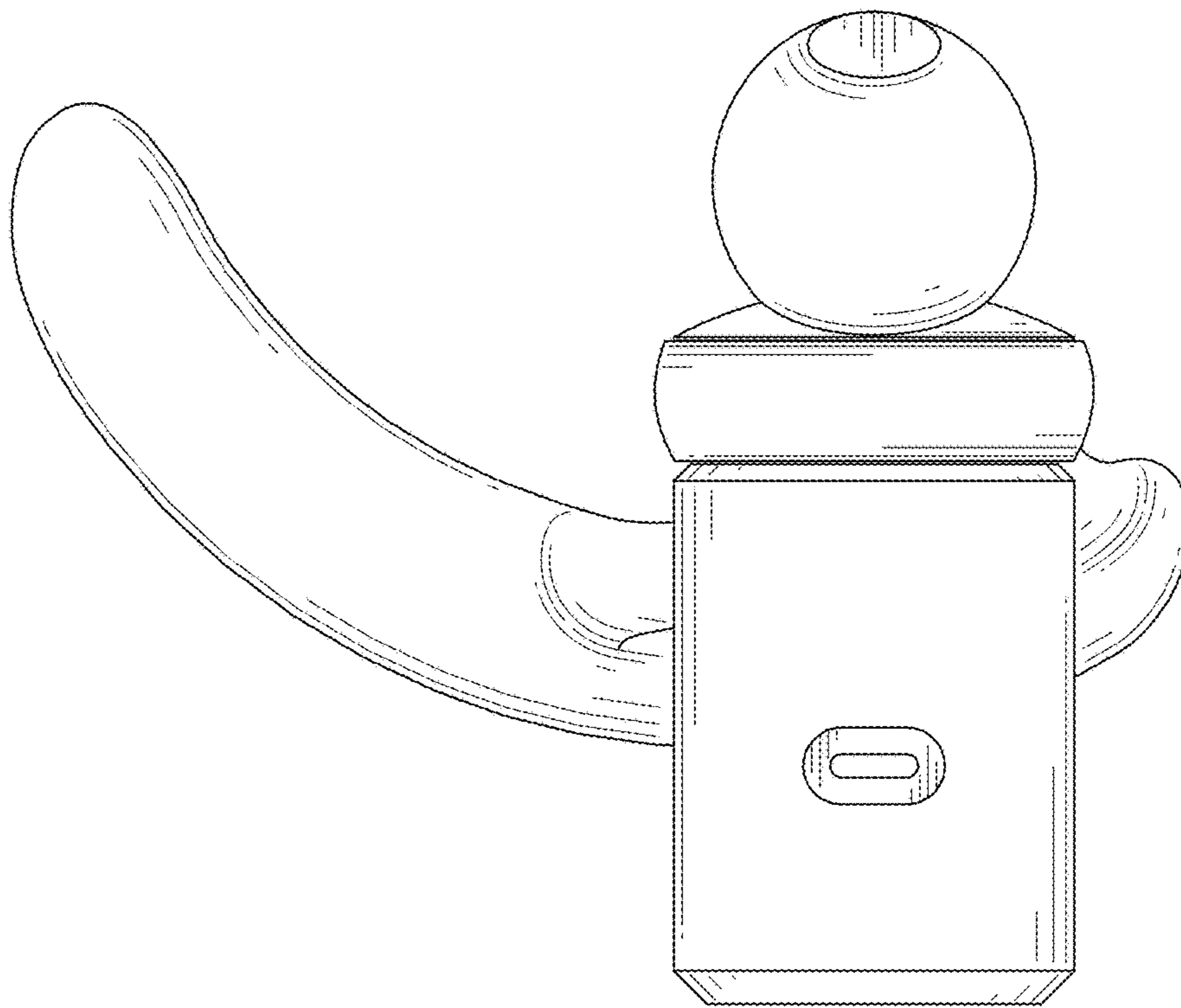


FIG. 6

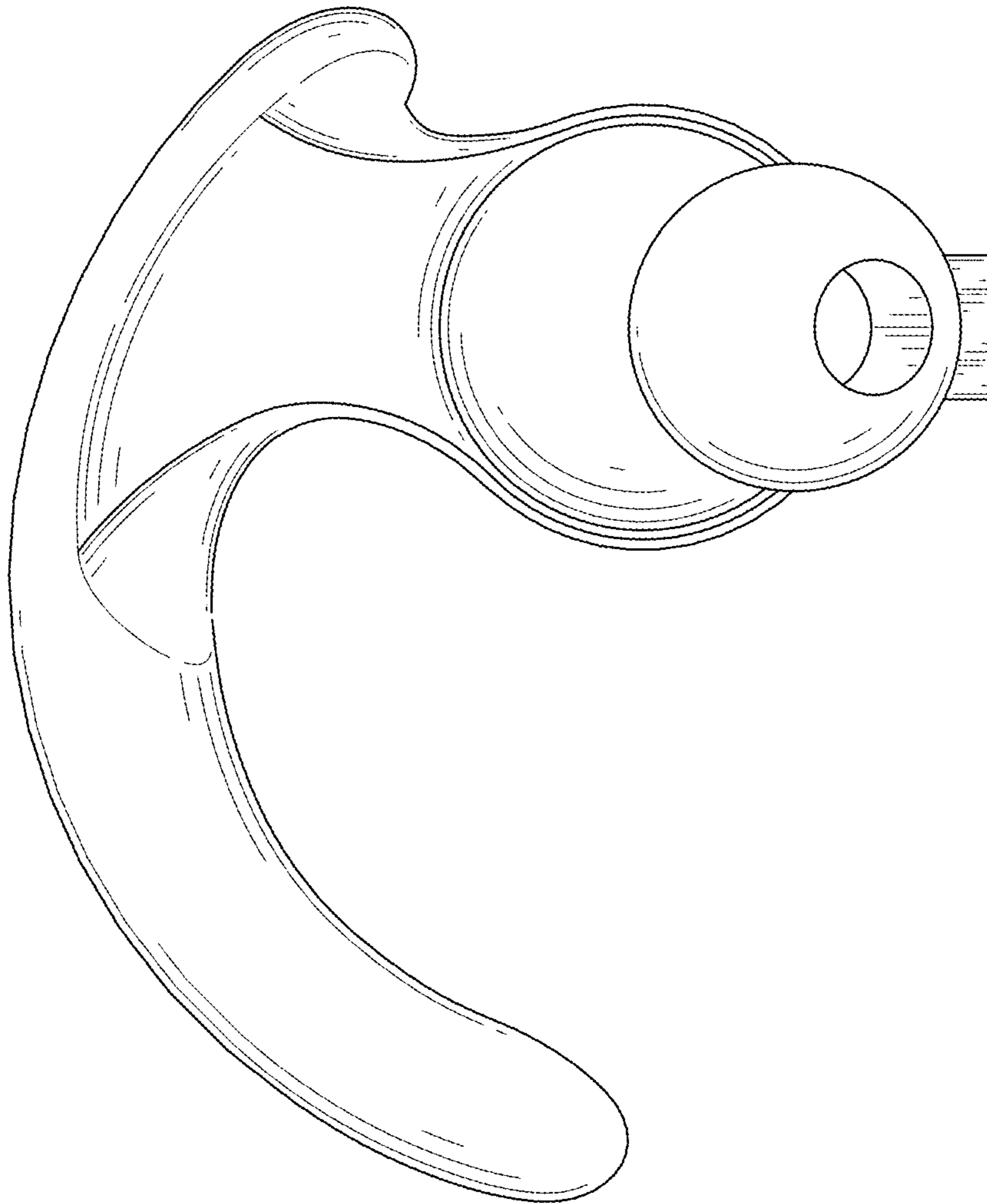


FIG. 7

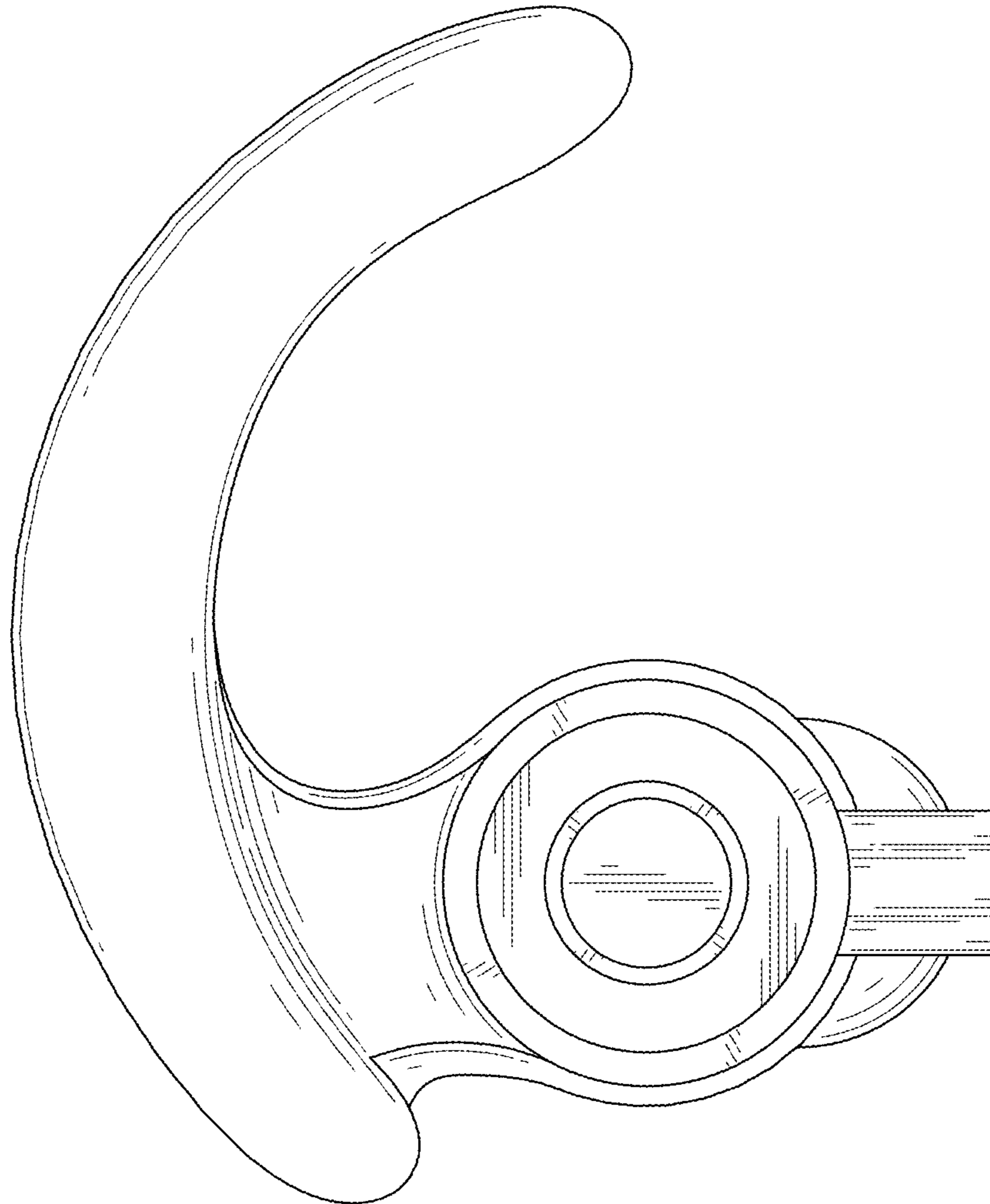


FIG. 8

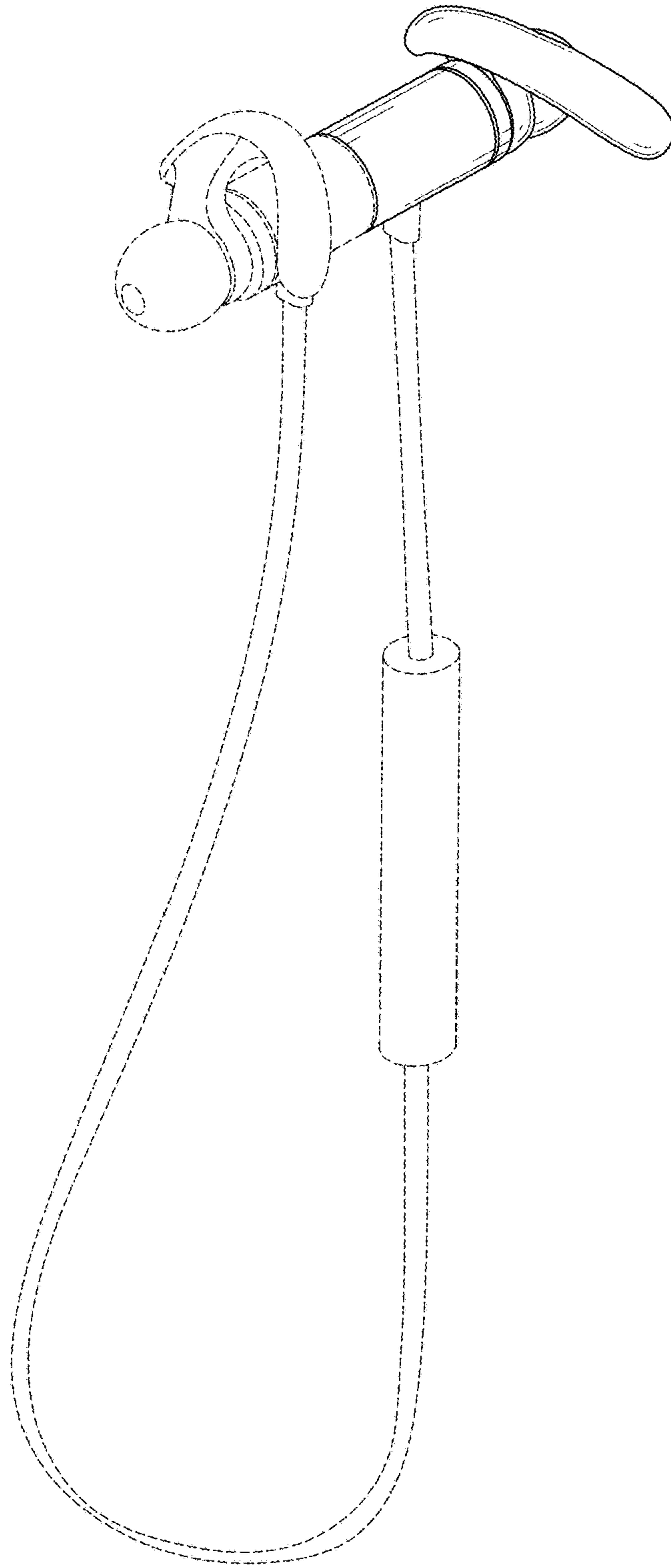


FIG. 9