



US00D838692S

(12) **United States Design Patent**
Fu

(10) **Patent No.:** **US D838,692 S**

(45) **Date of Patent:** **** Jan. 22, 2019**

(54) **EARPHONE**

(71) Applicant: **Yaoping Fu, Jiangxi (CN)**

(72) Inventor: **Yaoping Fu, Jiangxi (CN)**

(**) Term: **15 Years**

(21) Appl. No.: **29/605,623**

(22) Filed: **May 26, 2017**

(51) **LOC (11) Cl.** **14-01**

(52) **U.S. Cl.**
USPC **D14/223**

(58) **Field of Classification Search**
USPC D14/223, 205; D24/174; 128/864, 865,
128/866; 181/129, 130, 135; 379/430,
379/431; 381/380, 381, 374; 455/90.3,
455/569.1, 575.1
CPC H04R 1/1016; H04R 1/105; H04R 1/10;
H04R 1/1066; H04R 5/033; H04R 5/0335
See application file for complete search history.

(56) **References Cited**

U.S. PATENT DOCUMENTS

D471,889 S *	3/2003	Rath	D14/205
D479,834 S *	9/2003	Salazar	D14/205
D497,613 S *	10/2004	Gwee	D14/205
D514,549 S *	2/2006	Rath	D14/223
D528,529 S *	9/2006	Rose	D14/138 R
D528,531 S *	9/2006	Rose	D14/138 R
D538,792 S *	3/2007	Kim	D14/223
D542,267 S *	5/2007	Cha	D14/206
D582,897 S *	12/2008	Christopher	D14/223
D597,084 S *	7/2009	Gondo	D14/223
D603,378 S *	11/2009	Paradise	D14/223
D603,847 S *	11/2009	Chung	D14/223
7,648,005 B2 *	1/2010	Leong	A61F 11/08 128/867
D622,264 S *	8/2010	Kim	D14/223
7,841,446 B2 *	11/2010	Leong	A61F 11/08 128/867
D628,989 S *	12/2010	Lee	D14/223

D635,960 S *	4/2011	Gondo	D14/223
D656,490 S *	3/2012	Birger	D14/223
8,285,208 B2 *	10/2012	Terlizzi	H04M 1/05 455/41.2
D685,768 S *	7/2013	Mogili	D14/223
D707,659 S *	6/2014	Henning	D14/223
D712,382 S *	9/2014	Brunner	D14/223
D725,637 S *	3/2015	Nakajima	D14/223
D734,744 S *	7/2015	Brunner	D14/223
D741,299 S *	10/2015	Brunner	D14/223
D743,946 S *	11/2015	Brunner	D14/223
D745,945 S *	12/2015	Kielsmeier	D22/108
D775,610 S *	1/2017	Nakajima	D14/223
D780,721 S *	3/2017	Brunner	D14/223
D795,226 S *	8/2017	Lian	D14/217
D796,490 S *	9/2017	Lian	D14/217

(Continued)

Primary Examiner — Paula Allen Greene
(74) *Attorney, Agent, or Firm* — ScienBiziP, P.C.

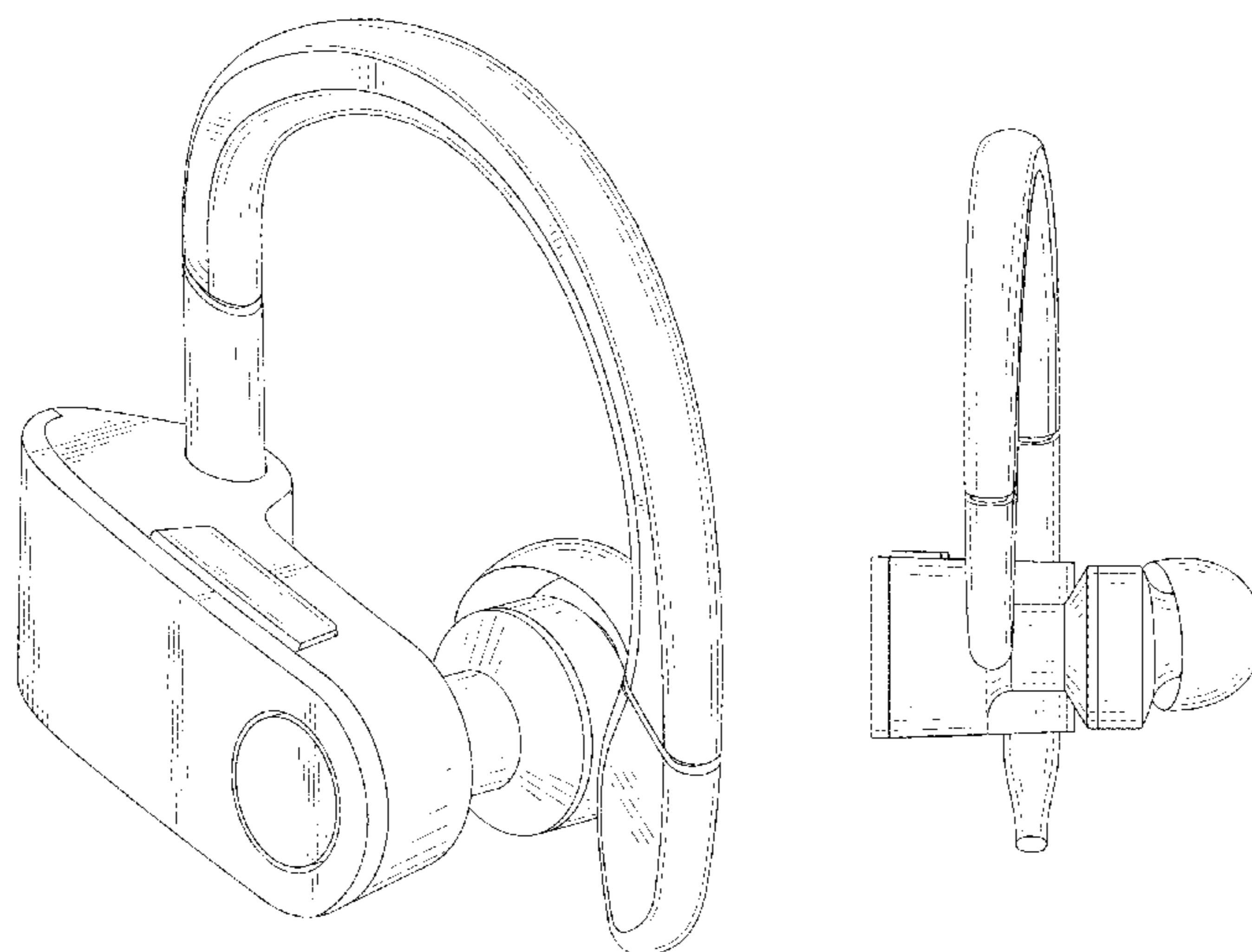
(57) **CLAIM**

The ornamental design for an earphone, as shown and described.

DESCRIPTION

FIG. 1 is a first perspective view of an earphone showing my new design;
FIG. 2 is a second perspective view thereof;
FIG. 3 is a front elevational view thereof;
FIG. 4 is a rear elevational view thereof;
FIG. 5 is a left side view thereof;
FIG. 6 is a right side view thereof;
FIG. 7 is a top plan view thereof;
FIG. 8 is a bottom plan view thereof; and,
FIG. 9 is a perspective view showing the earphone in a use state.
The broken lines depict environment that forms no part of the claimed design.

1 Claim, 9 Drawing Sheets



(56)

References Cited

U.S. PATENT DOCUMENTS

D801,952 S * 11/2017 Lian D14/223
D806,684 S * 1/2018 Tsai D14/223
D810,053 S * 2/2018 Otani D14/223
2009/0116678 A1* 5/2009 Bevirt C22F 1/006
381/381
2017/0105679 A1* 4/2017 Gil A61B 5/6817

* cited by examiner

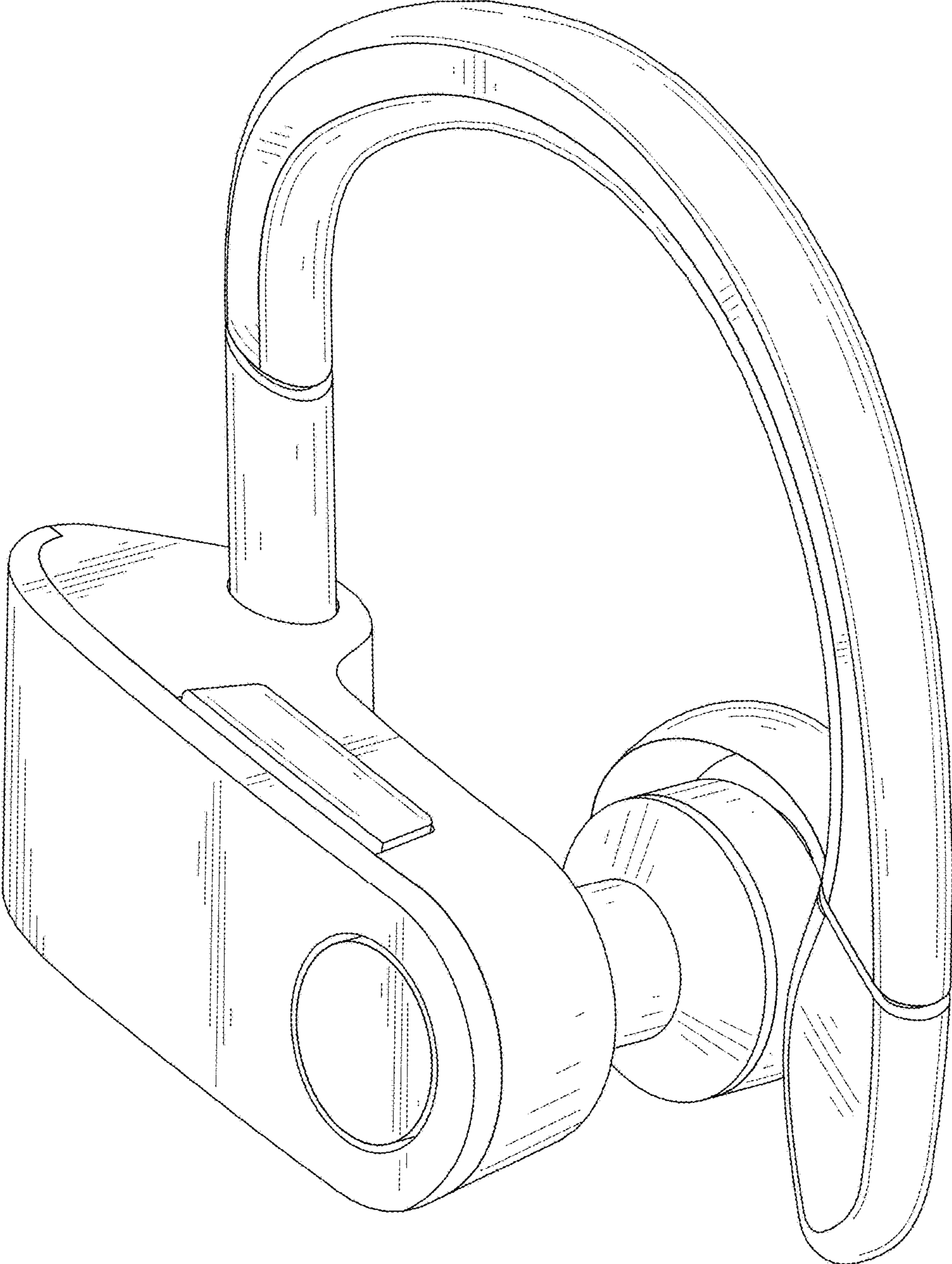


FIG. 1

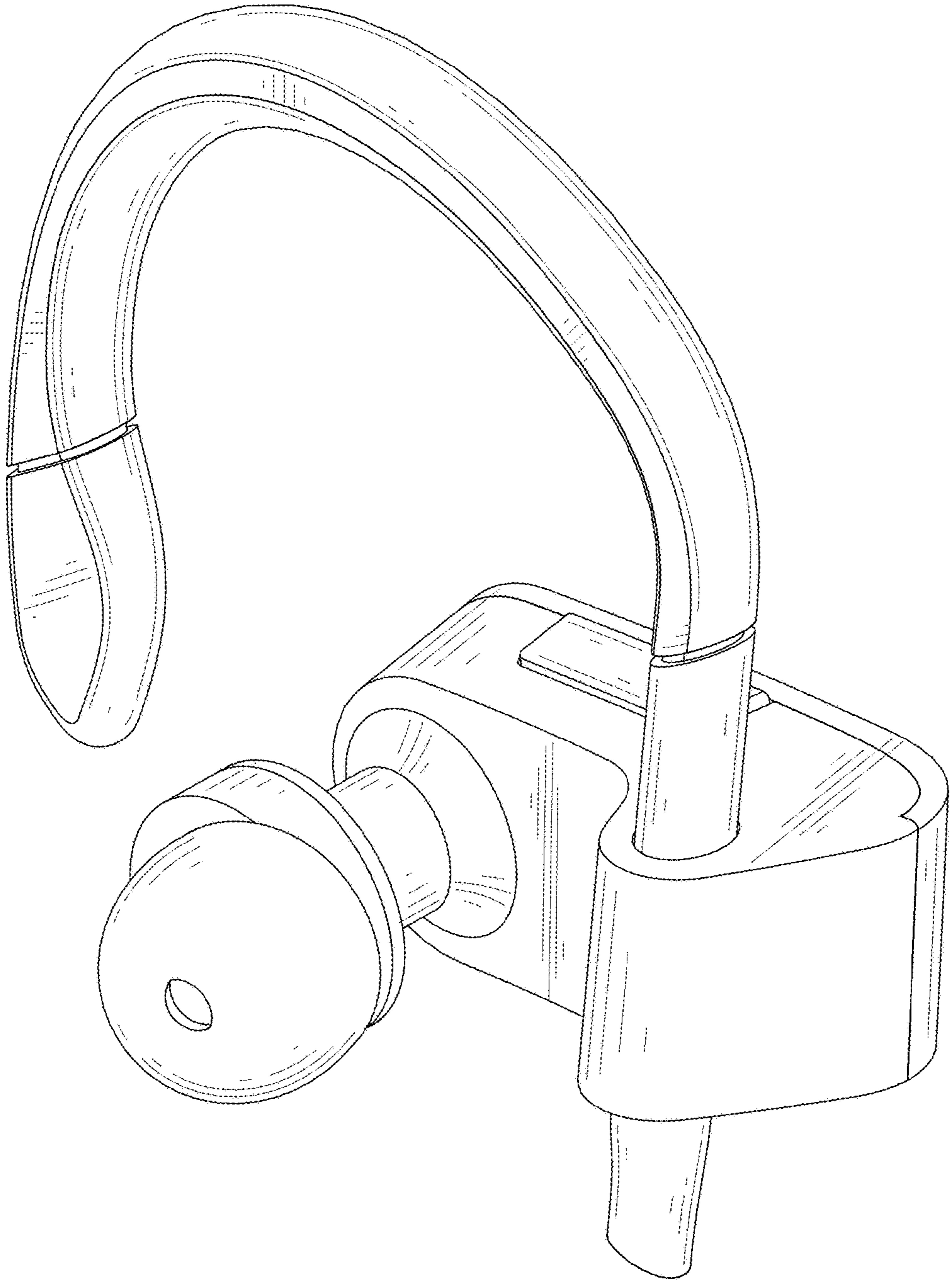


FIG. 2

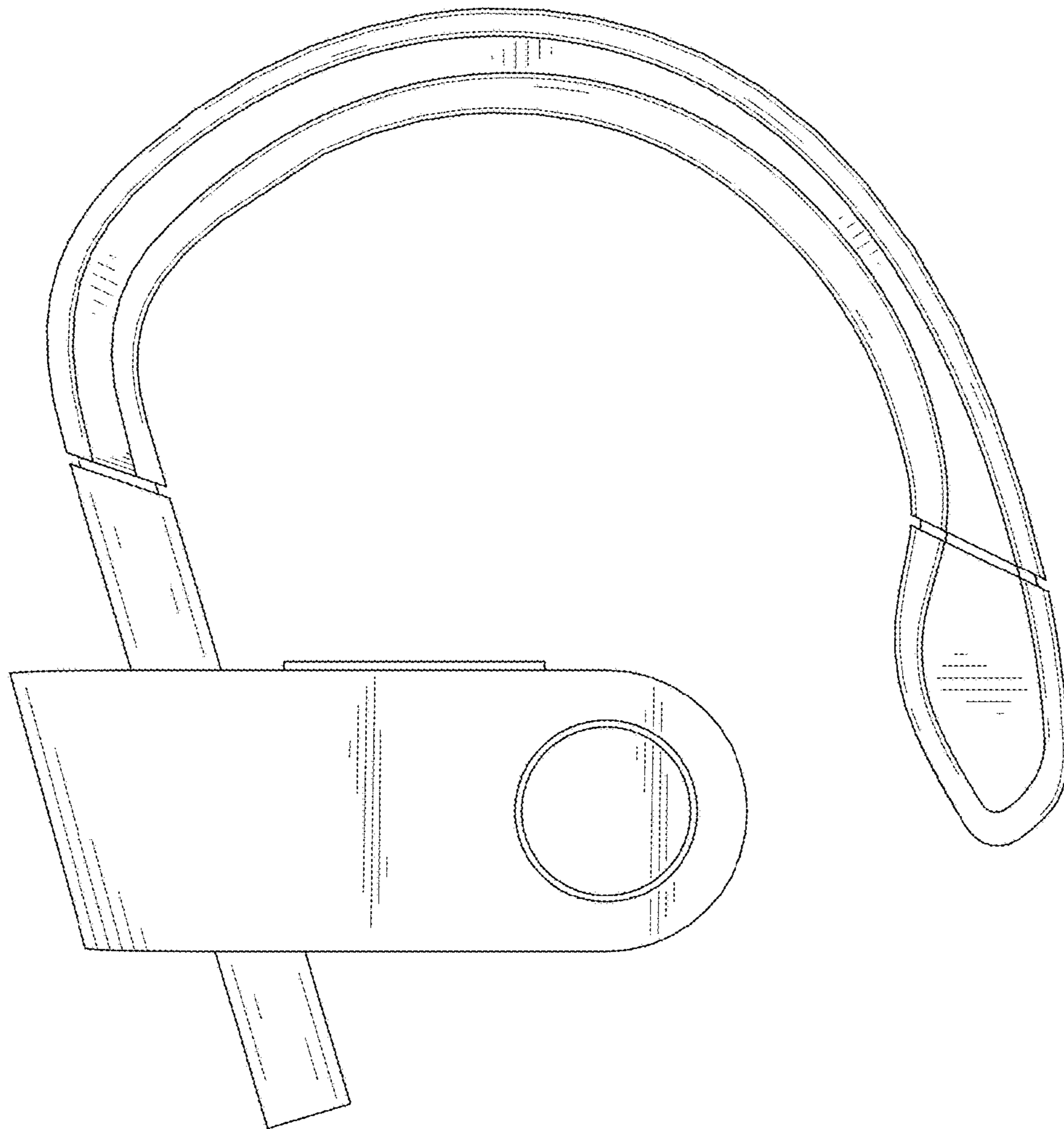


FIG. 3

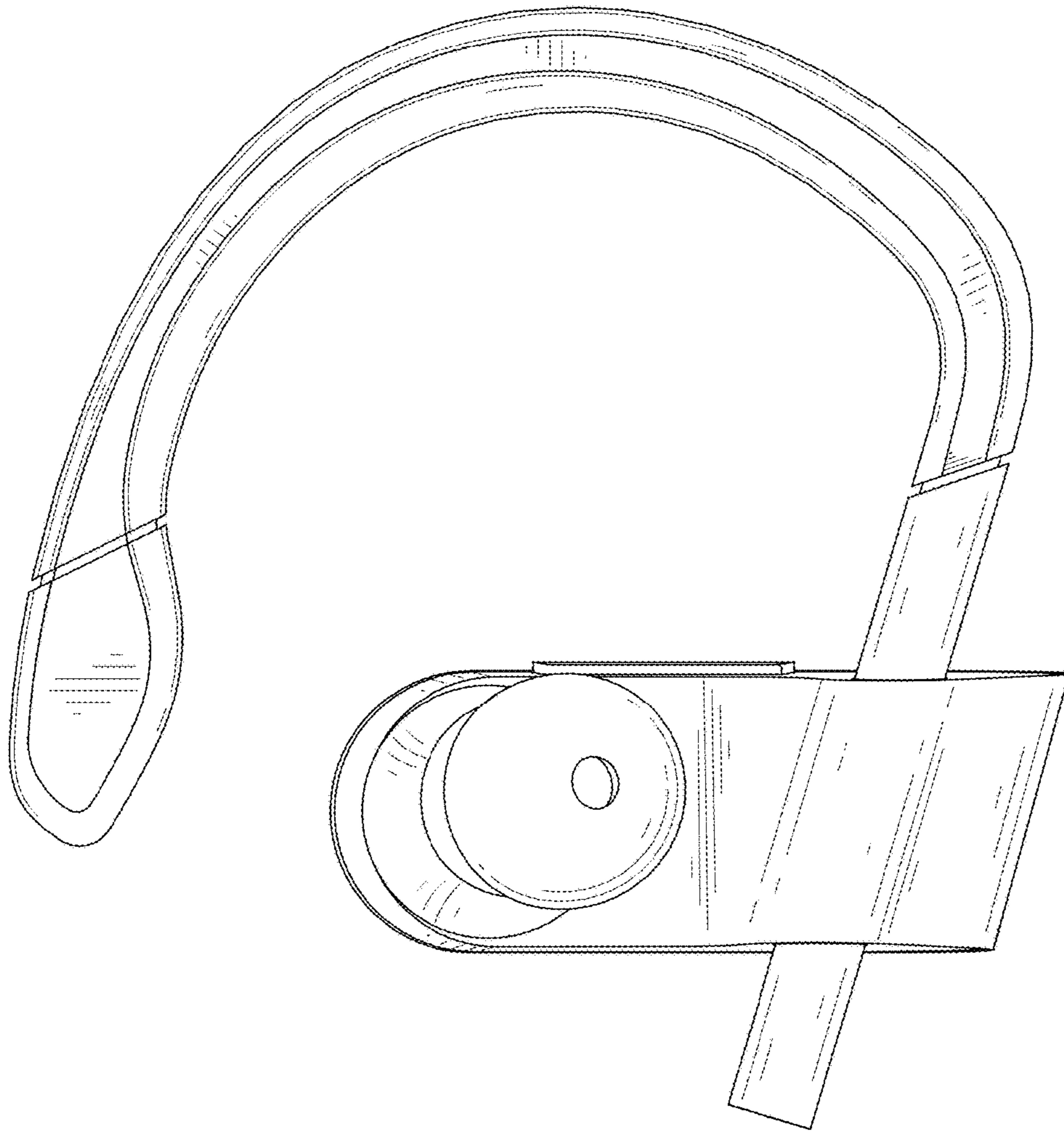


FIG. 4

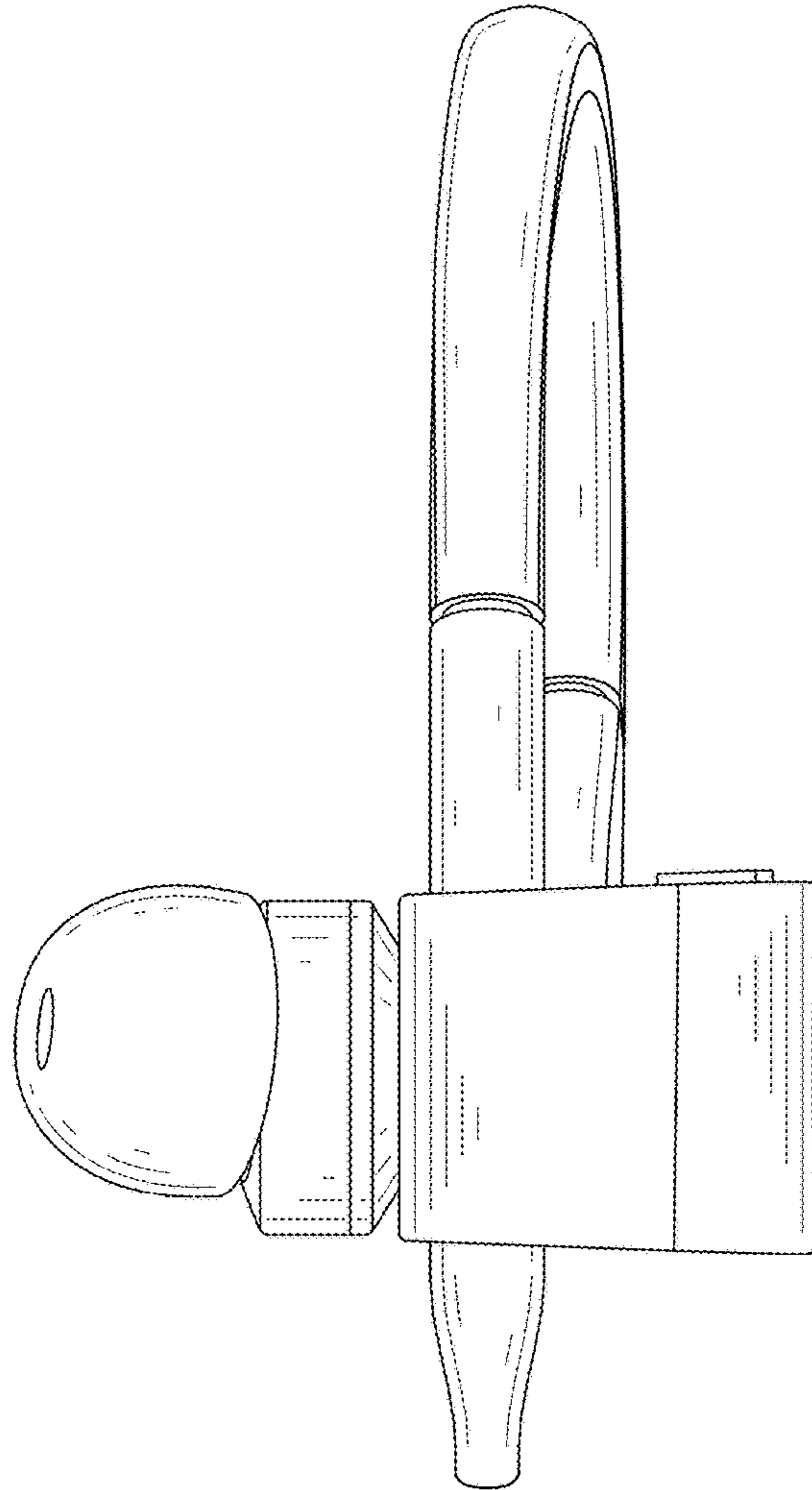


FIG. 5

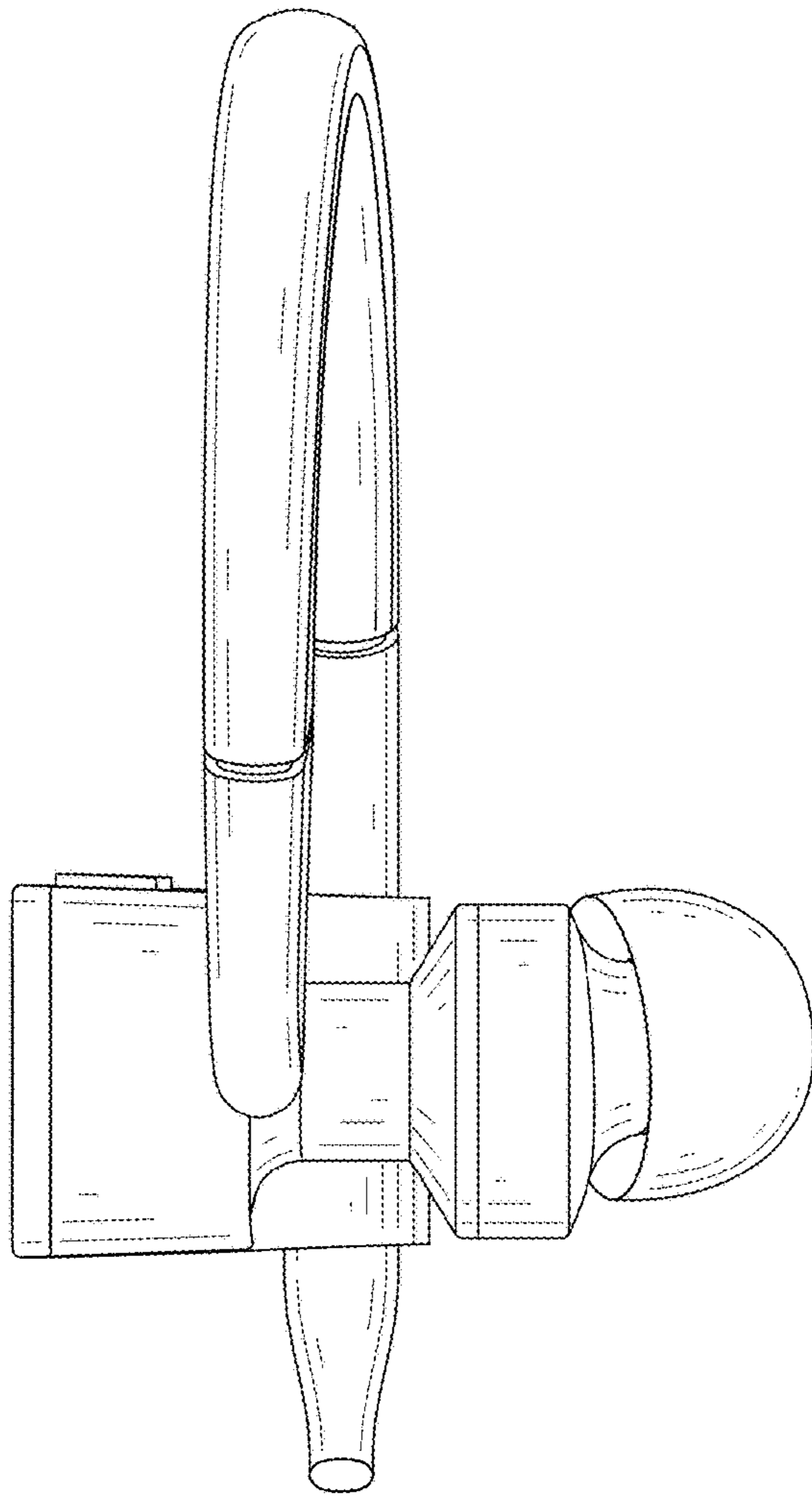


FIG. 6

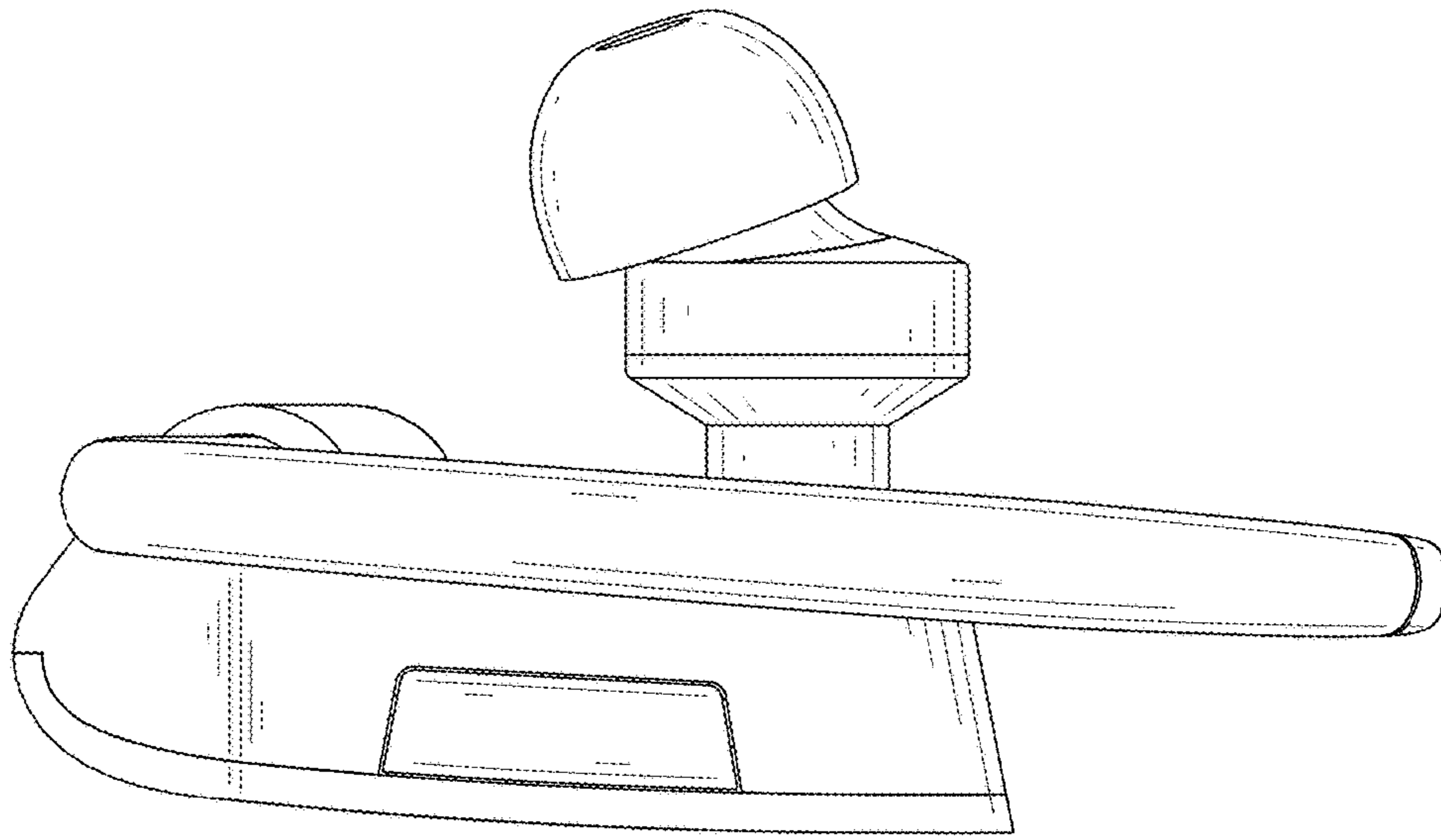


FIG. 7

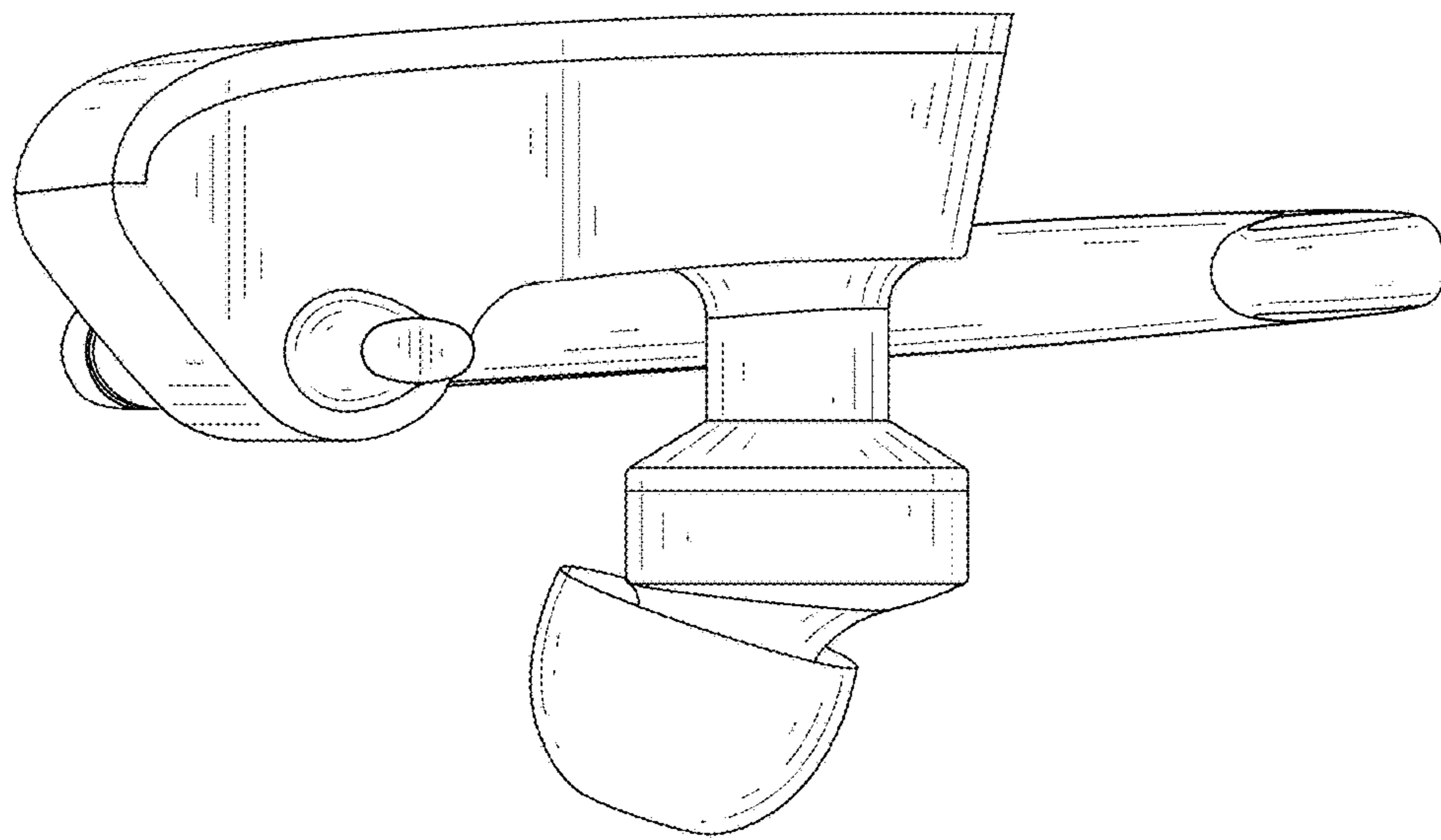


FIG. 8

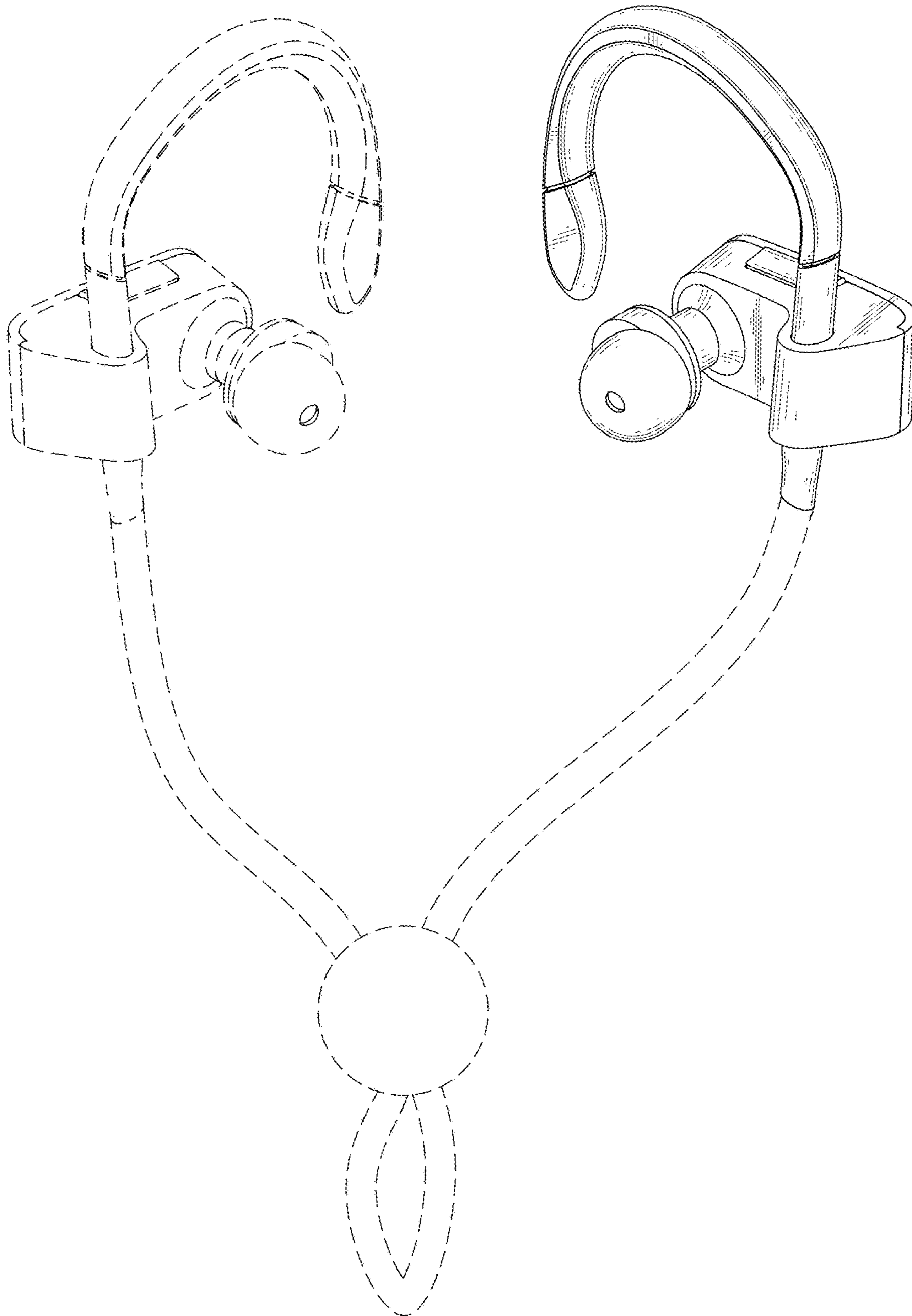


FIG. 9