



US00D838690S

(12) **United States Design Patent** (10) **Patent No.:** **US D838,690 S**
Cheon et al. (45) **Date of Patent:** **** Jan. 22, 2019**

(54) **WIRELESS SPEAKER**

H04R 19/02; H04R 2400/00; H04R 2400/07; H04R 2400/11

(71) Applicant: **LG ELECTRONICS INC.**, Seoul (KR)

See application file for complete search history.

(72) Inventors: **Jeeyoung Cheon**, Seoul (KR); **Junhee Han**, Seoul (KR); **Mijin Park**, Seoul (KR)

(56) **References Cited**

U.S. PATENT DOCUMENTS

(73) Assignee: **LG ELECTRONICS INC.**, Seoul (KR)

D364,165 S *	11/1995	Esslinger	D14/213
D482,021 S *	11/2003	Olson	D14/214
D542,778 S *	5/2007	Harris, Jr.	D14/216
D563,391 S *	3/2008	Skurdal	D14/172
D575,770 S *	8/2008	Lewis	D14/216
D608,349 S *	1/2010	Wang	D14/216
D633,898 S *	3/2011	Seo	D14/216
D691,587 S *	10/2013	Ferber	D14/216
D695,713 S *	12/2013	Szymanski	D14/216

(**) Term: **15 Years**

(Continued)

(21) Appl. No.: **35/503,387**

FOREIGN PATENT DOCUMENTS

(22) Filed: **Jan. 20, 2017**

WO D094545-001 * 7/2017

(80) **Hague Agreement Data**

Int. Filing Date: **Jan. 20, 2017**
Int. Reg. No.: **DM/094545**
Int. Reg. Date: **Jan. 20, 2017**
Int. Reg. Pub. Date: **Jul. 21, 2017**

Primary Examiner — Barbara Fox
Assistant Examiner — Dana K Weiland
(74) *Attorney, Agent, or Firm* — Birch, Stewart, Kolasch & Birch, LLP

(30) **Foreign Application Priority Data**

Jul. 29, 2016 (KR) 30-2016-0037401

(51) **LOC (11) Cl.** **14-01**

(52) **U.S. Cl.**
USPC **D14/216; D14/209.1**

(58) **Field of Classification Search**
USPC D14/125–126, 131, 172, 188, 193–194, D14/203.1, 204–206, 209.1, 210–216, D14/221, 223–224, 239, 249, 265, 447; D21/513, 516; D3/206
CPC . B60R 11/0217; B60R 11/0223; H04R 1/023; H04R 1/025; H04R 1/323; H04R 5/02;

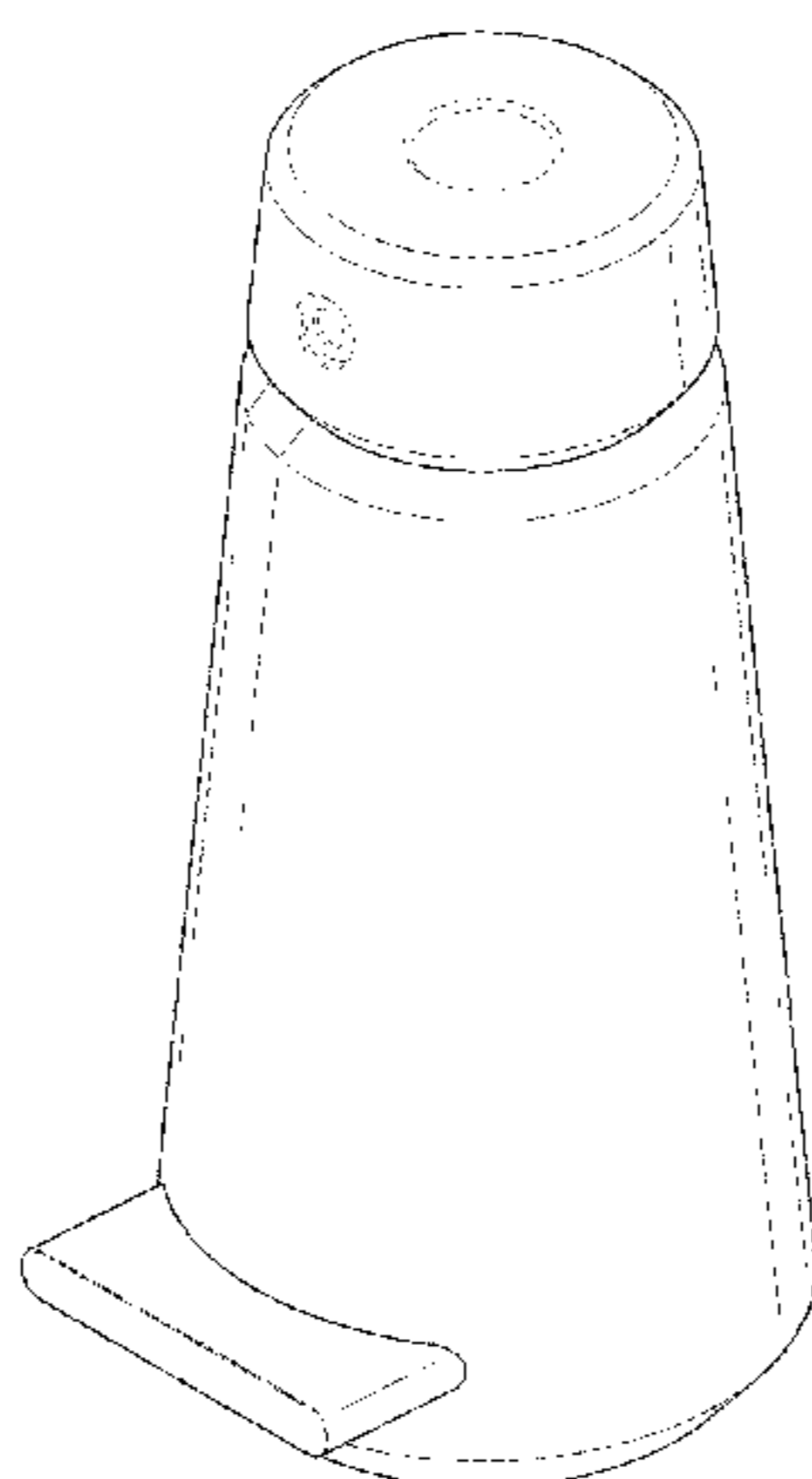
(57) **CLAIM**

The ornamental design for a wireless speaker, as shown and described.

DESCRIPTION

1. Wireless speaker
- 1.1 is a front, right perspective view showing the new design;
- 1.2 is the front view thereof;
- 1.3 is the back view thereof;
- 1.4 is the left side view thereof;
- 1.5 is the right side view thereof;
- 1.6 is the top view thereof;
- 1.7 is the bottom view; and
- 1.8 is a front, right perspective view showing the wireless speaker in a state of use with environment.

(Continued)



The broken line showing of circular features in Figures 1.1, 1.2, 1.4-1.6 and 1.8 and ports in Figure 1.3 depicts portions of the wireless speaker that form no part of the claimed design. The broken line showing of a rectangular feature in Figure 1.8 depicts environmental structure that forms no part of the claimed design.

1 Claim, 7 Drawing Sheets

(56)

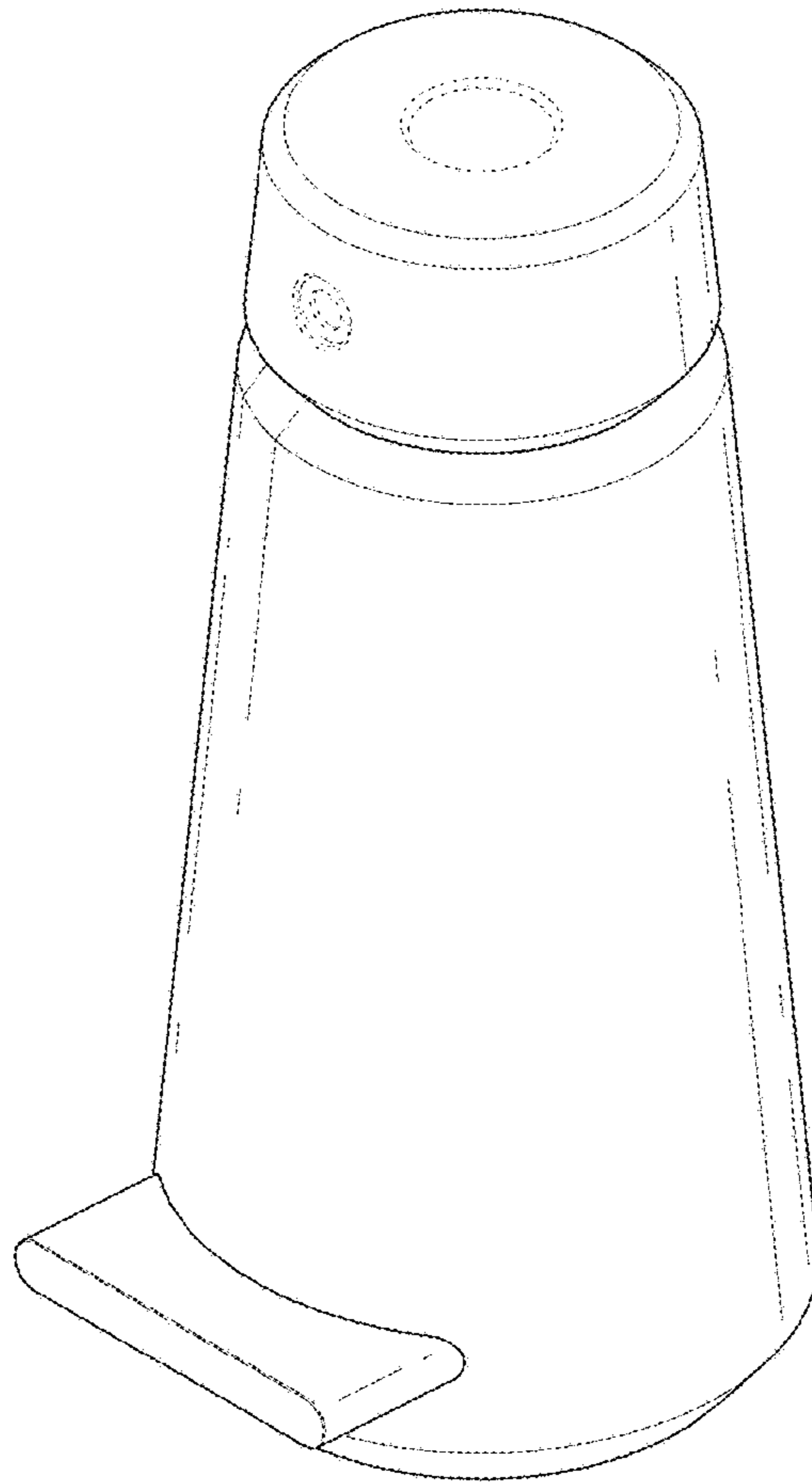
References Cited

U.S. PATENT DOCUMENTS

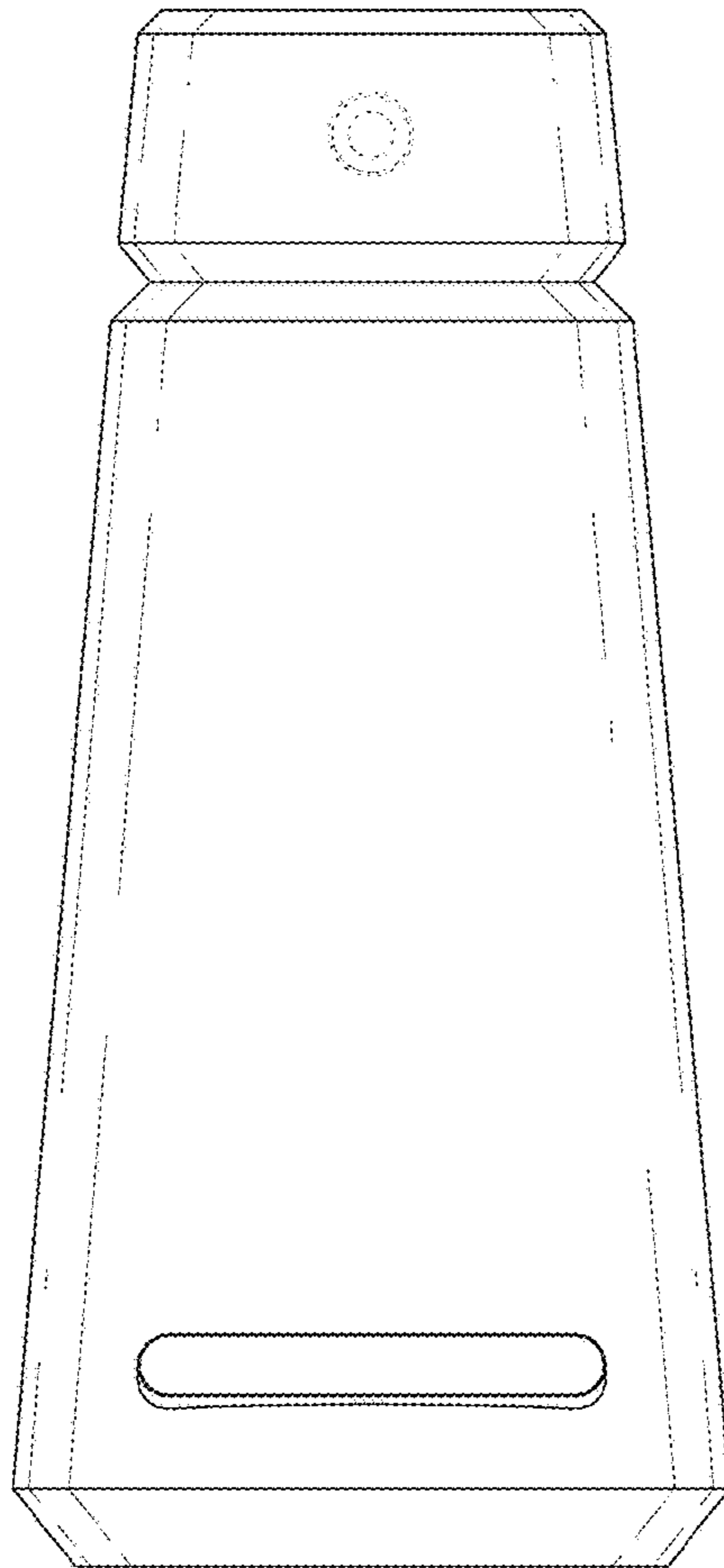
D714,923	S	*	10/2014	Engelhard	D23/364
D719,137	S	*	12/2014	Cheng	D14/216
D723,514	S	*	3/2015	Lukic	D14/213
D735,163	S	*	7/2015	Valeur	D14/216
D767,535	S	*	9/2016	Koo	D14/214
D770,418	S	*	11/2016	Hong	D14/216
D771,019	S	*	11/2016	Lee	D14/216
D773,704	S	*	12/2016	Pardo	D26/41
D783,000	S	*	4/2017	Koo	D14/209.1
D791,735	S	*	7/2017	Kalyuzhny	D14/209.1
D798,839	S	*	10/2017	Yeon	D14/216
D803,190	S	*	11/2017	Lee	D14/216
D803,810	S	*	11/2017	Lee	D14/216
D804,449	S	*	12/2017	Cheney	D14/216
D807,873	S	*	1/2018	Seoc	D14/314
D808,928	S	*	1/2018	Schaal	D14/216
D810,049	S	*	2/2018	Lee	D14/216
D813,210	S	*	3/2018	Benedetti	D14/230
D817,924	S	*	5/2018	Kim	D14/213
D828,323	S	*	9/2018	Demin	D14/172
D829,689	S	*	10/2018	Kim	D14/216

* cited by examiner

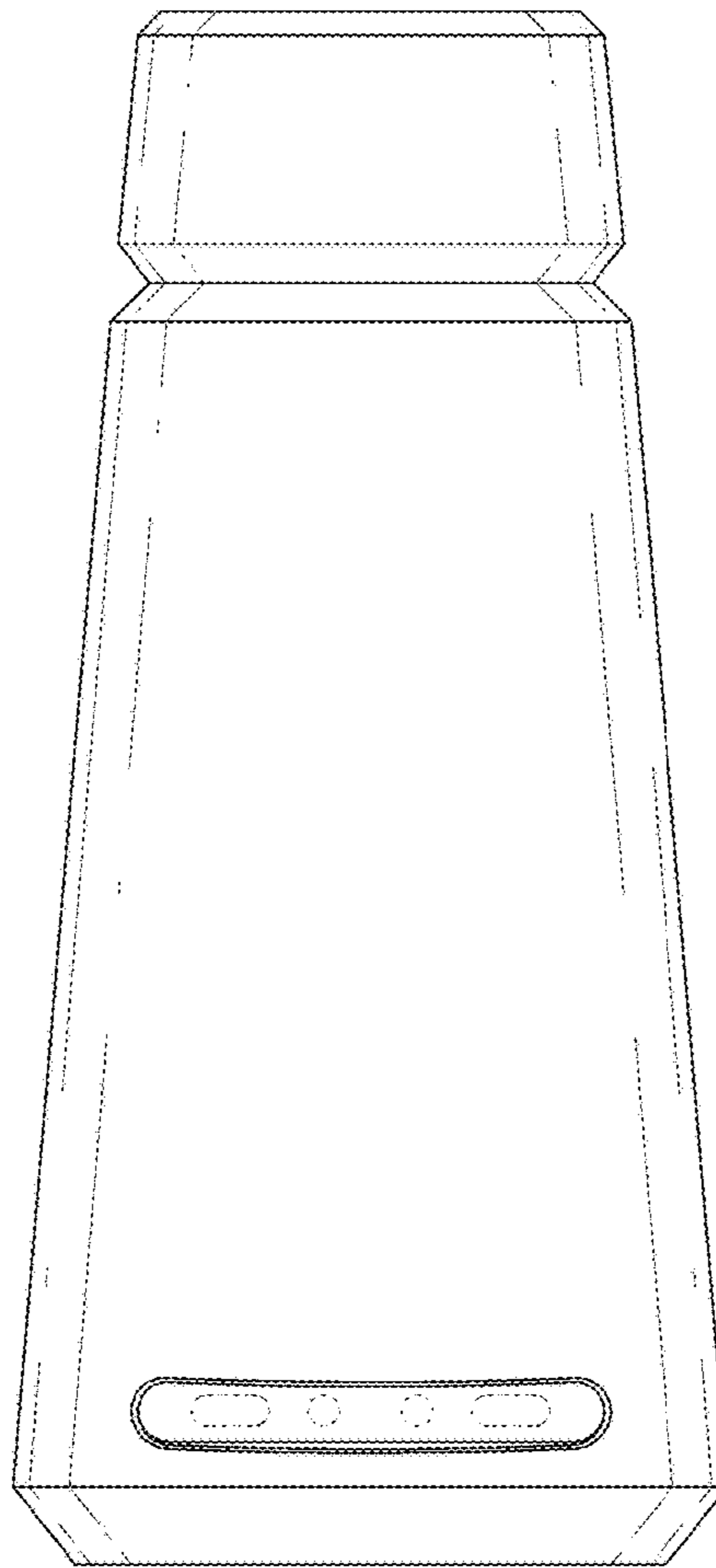
1.1



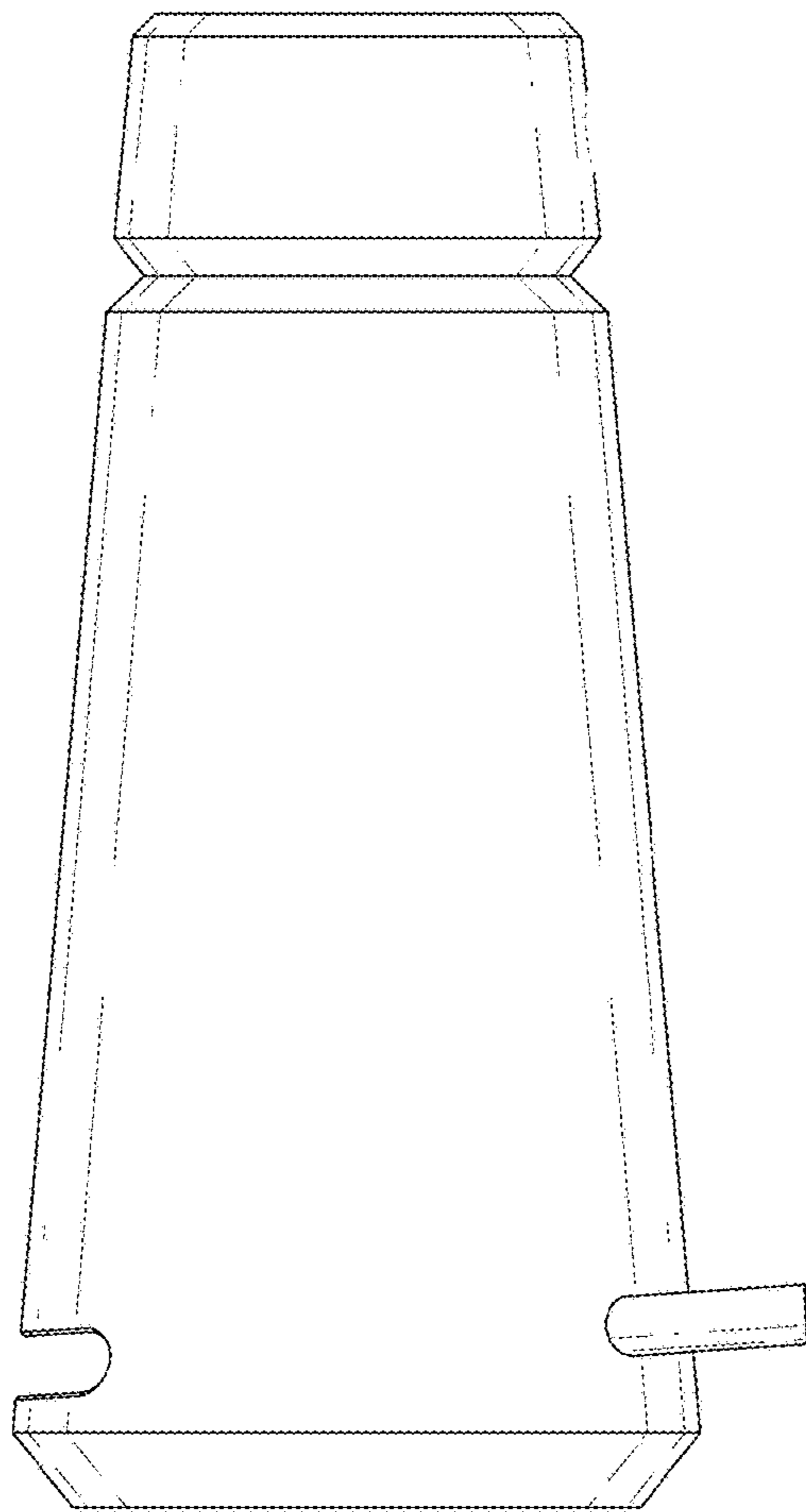
1.2



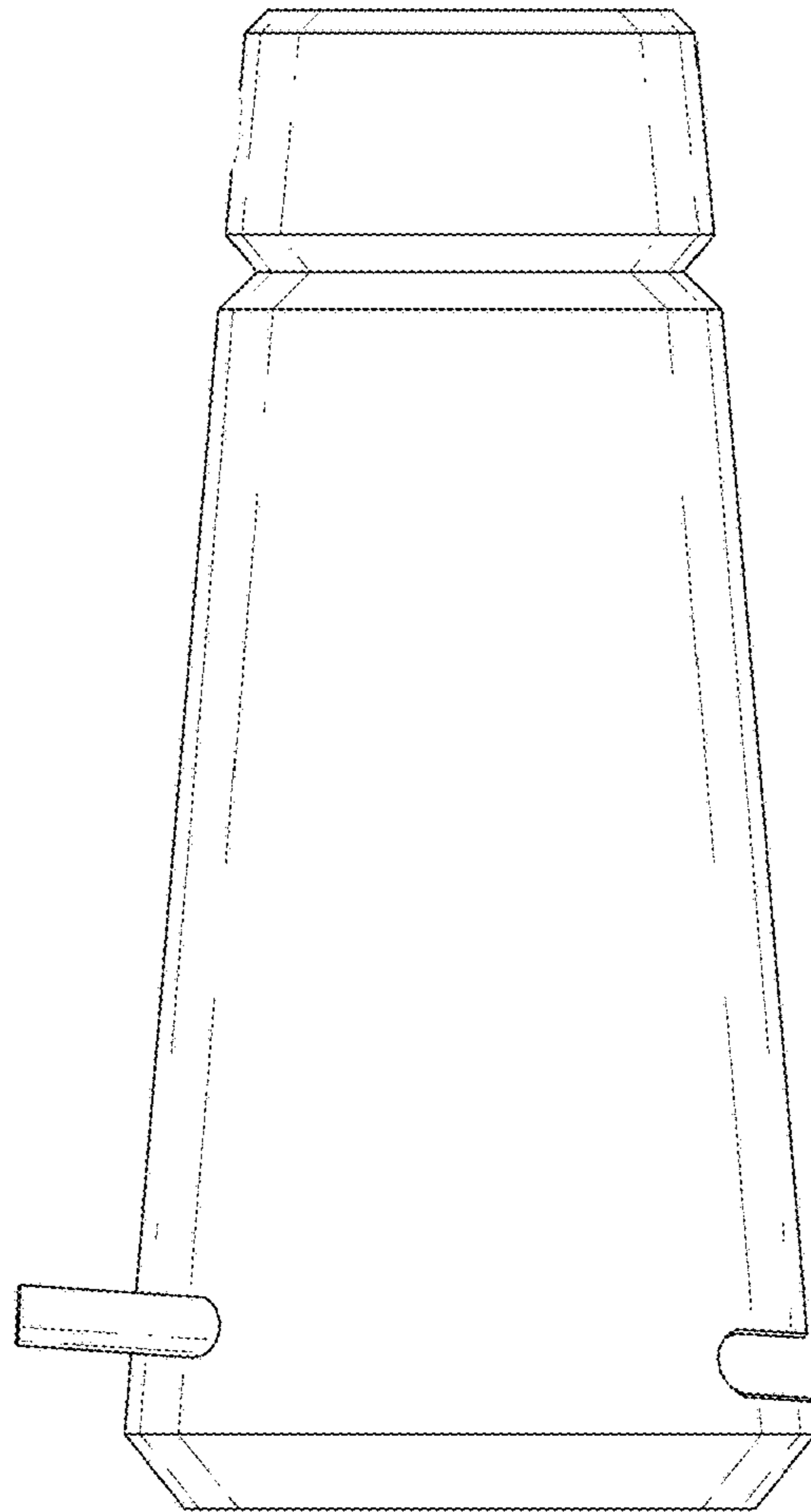
1.3



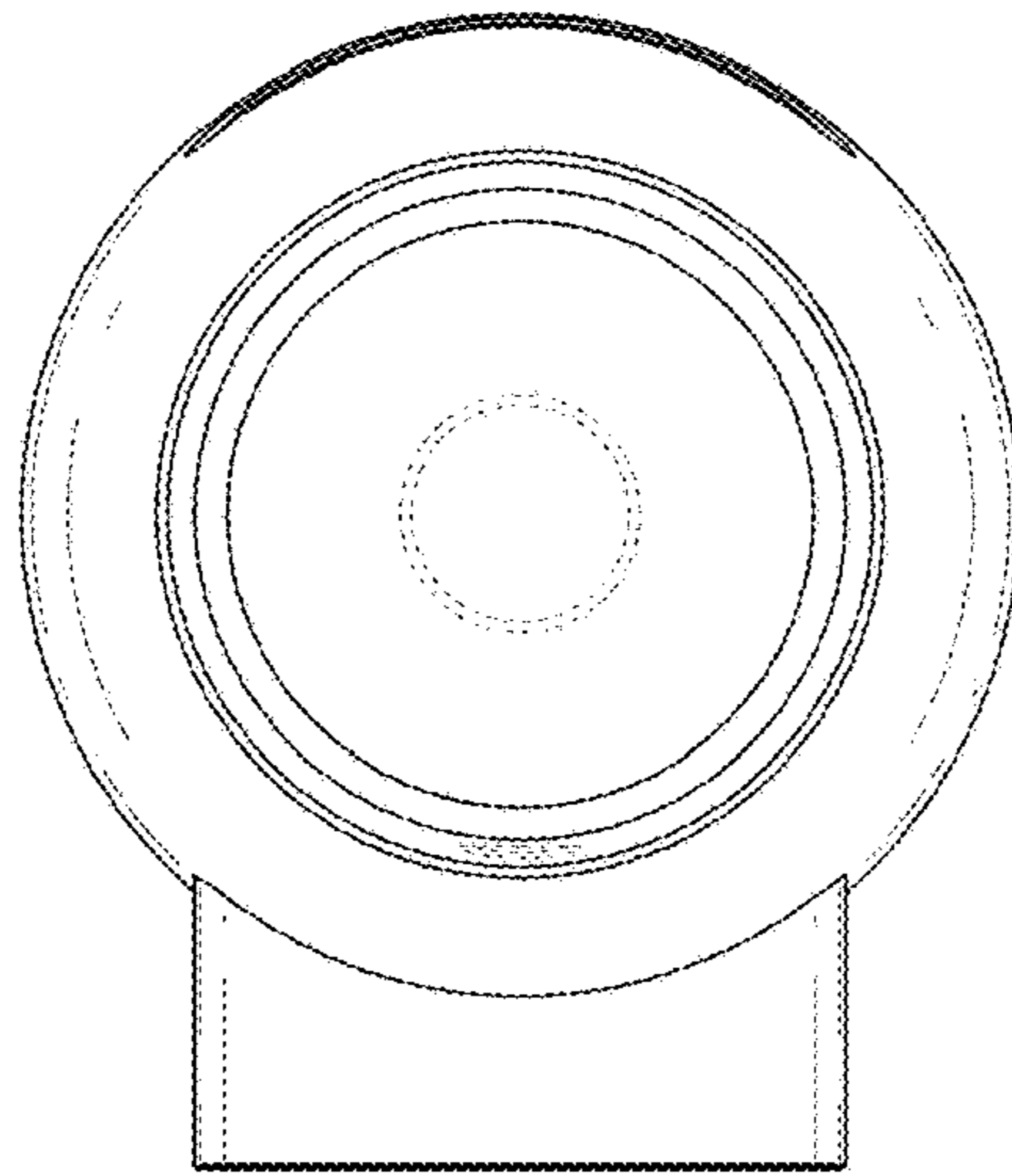
1.4



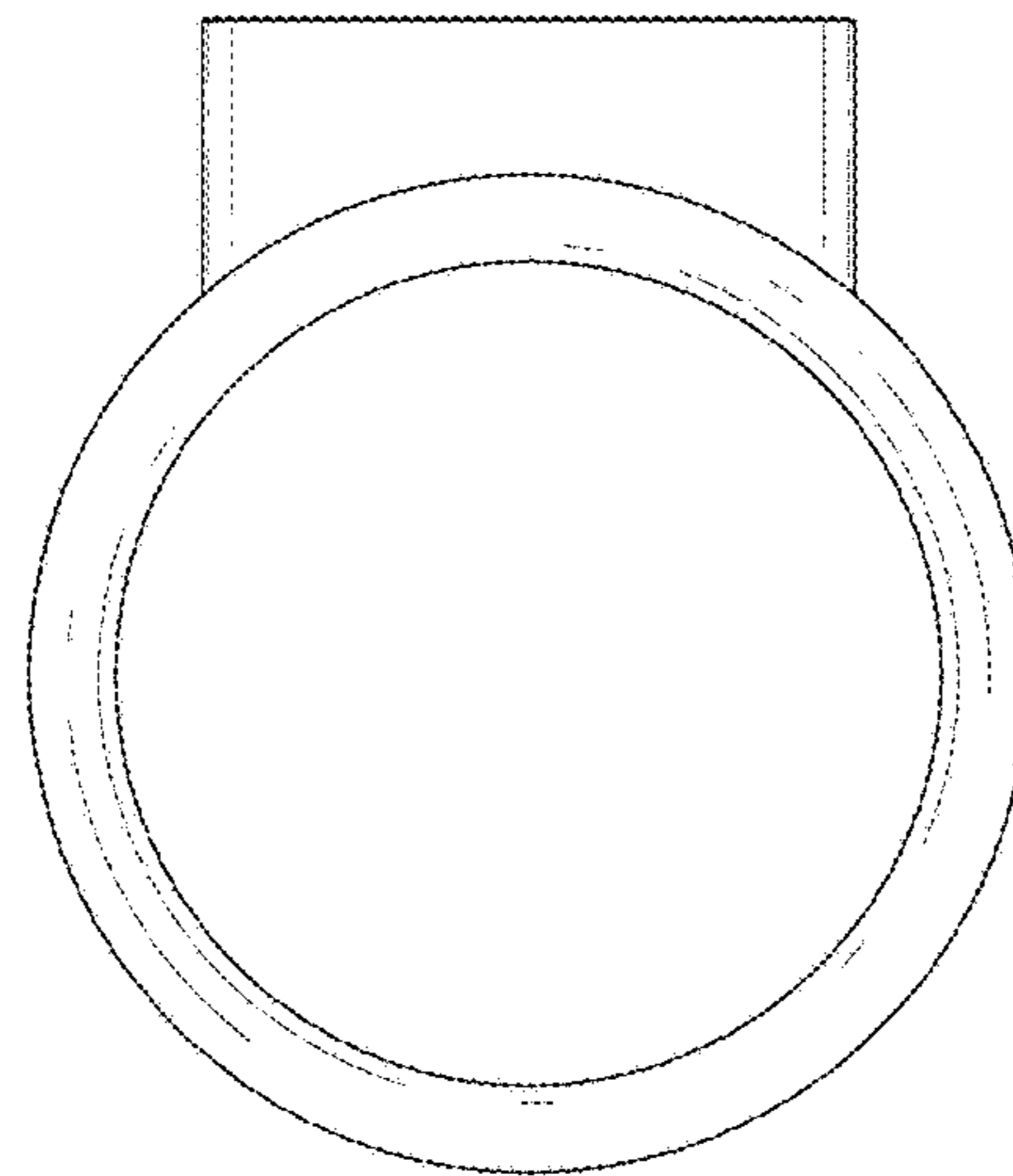
1.5



1.6



1.7



1.8

