



US00D838689S

(12) **United States Design Patent**  
**Ohmachi**

(10) **Patent No.:** **US D838,689 S**

(45) **Date of Patent:** **\*\* Jan. 22, 2019**

- (54) **SPEAKER MOUNTING TOOL**
- (71) Applicant: **Yamaha Corporation**, Shizuoka (JP)
- (72) Inventor: **Takenori Ohmachi**, Shizuoka (JP)
- (73) Assignee: **YAMAHA CORPORATION**, Shizuoka (JP)
- (\*\*) Term: **15 Years**
- (21) Appl. No.: **29/570,888**
- (22) Filed: **Jul. 13, 2016**
- (51) **LOC (11) Cl.** ..... **14-03**
- (52) **U.S. Cl.**  
USPC ..... **D14/214**
- (58) **Field of Classification Search**  
USPC .... D14/204, 209.1, 210, 211, 212, 213–217,  
D14/221, 224  
CPC ... H04R 1/26; H04R 5/00; H04R 5/02; H04R  
1/02; H04R 1/28; H04R 7/26; H04R  
25/00; H05K 5/00  
See application file for complete search history.

(56) **References Cited**

**U.S. PATENT DOCUMENTS**

- 6,157,729 A \* 12/2000 LeBlanc ..... H04R 1/026  
181/141
- 8,582,798 B2 \* 11/2013 Staley ..... H04R 1/026  
381/387

- 8,638,959 B1 \* 1/2014 Hall ..... H04S 3/008  
381/160
- 8,837,767 B2 \* 9/2014 Stewart ..... H04R 1/345  
248/292.13
- D757,686 S \* 5/2016 White ..... D14/214
- 9,788,092 B2 \* 10/2017 Rawls-Meehan ..... H04R 5/02

\* cited by examiner

*Primary Examiner* — Michael A. Pratt

(74) *Attorney, Agent, or Firm* — McDonald Hopkins LLC

(57) **CLAIM**

The ornamental design for a speaker mounting tool, as shown and described.

**DESCRIPTION**

FIG. 1 is a perspective view of a first embodiment of a speaker mounting tool showing my new design;  
 FIG. 2 is a front view thereof;  
 FIG. 3 is a rear view thereof;  
 FIG. 4 is a top view thereof;  
 FIG. 5 is a bottom view thereof;  
 FIG. 6 is a right view thereof; and,  
 FIG. 7 is a left view thereof.  
 The Broken lines shown in FIGS. 1 through 6 are shown for the purpose of indicating portions of the speaker mounting tool that do not form a part of the claimed design.

**1 Claim, 7 Drawing Sheets**

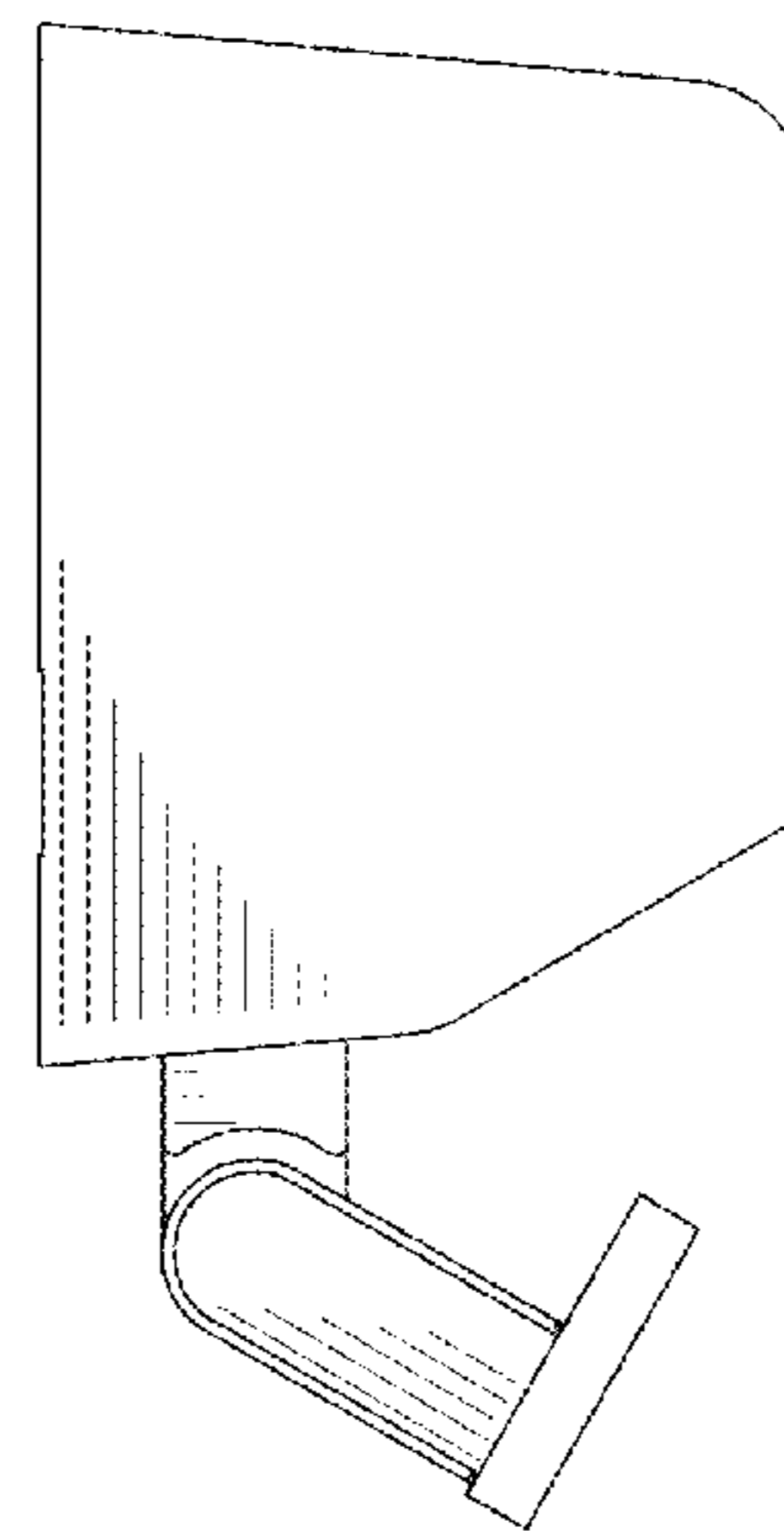
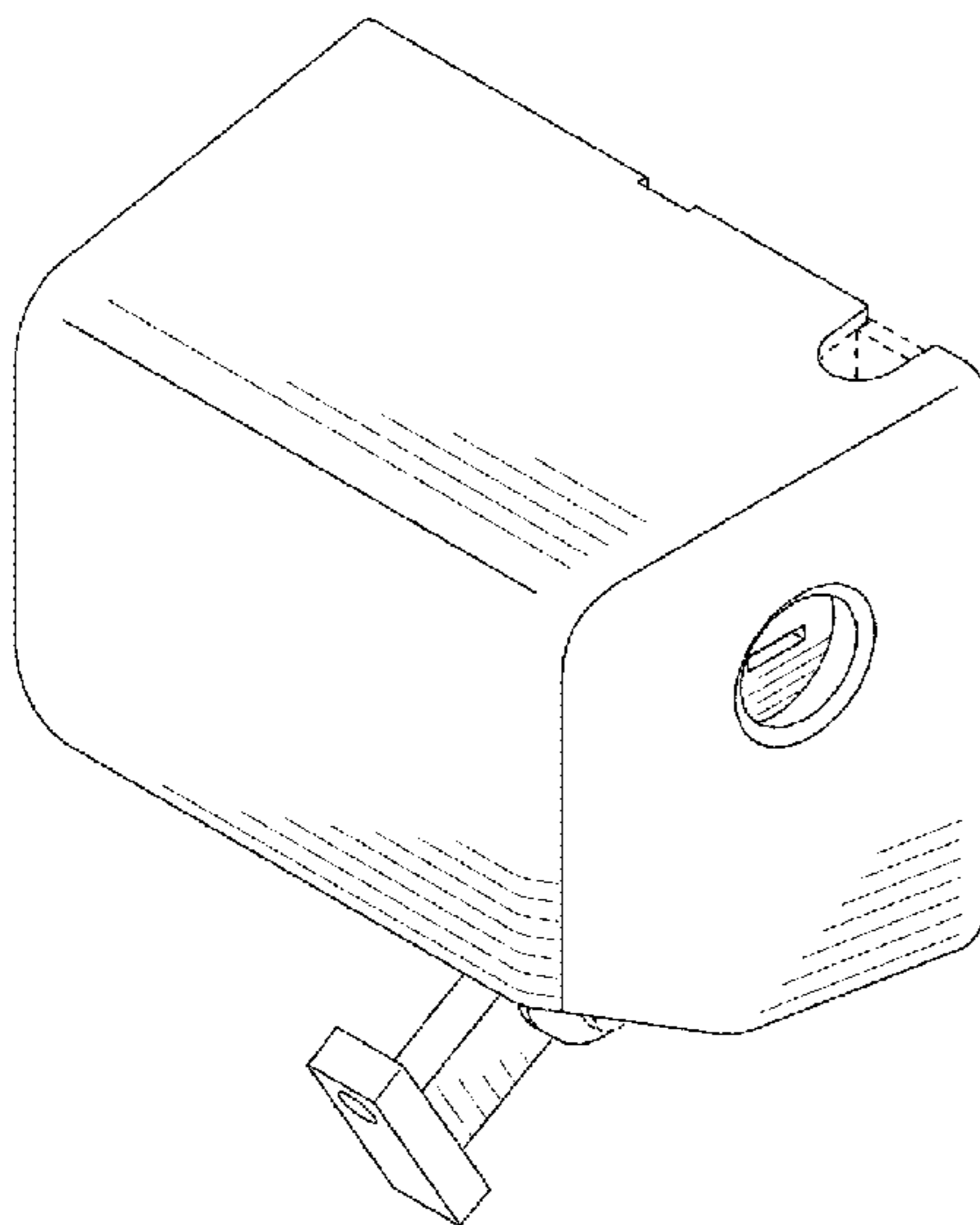


Fig. 1

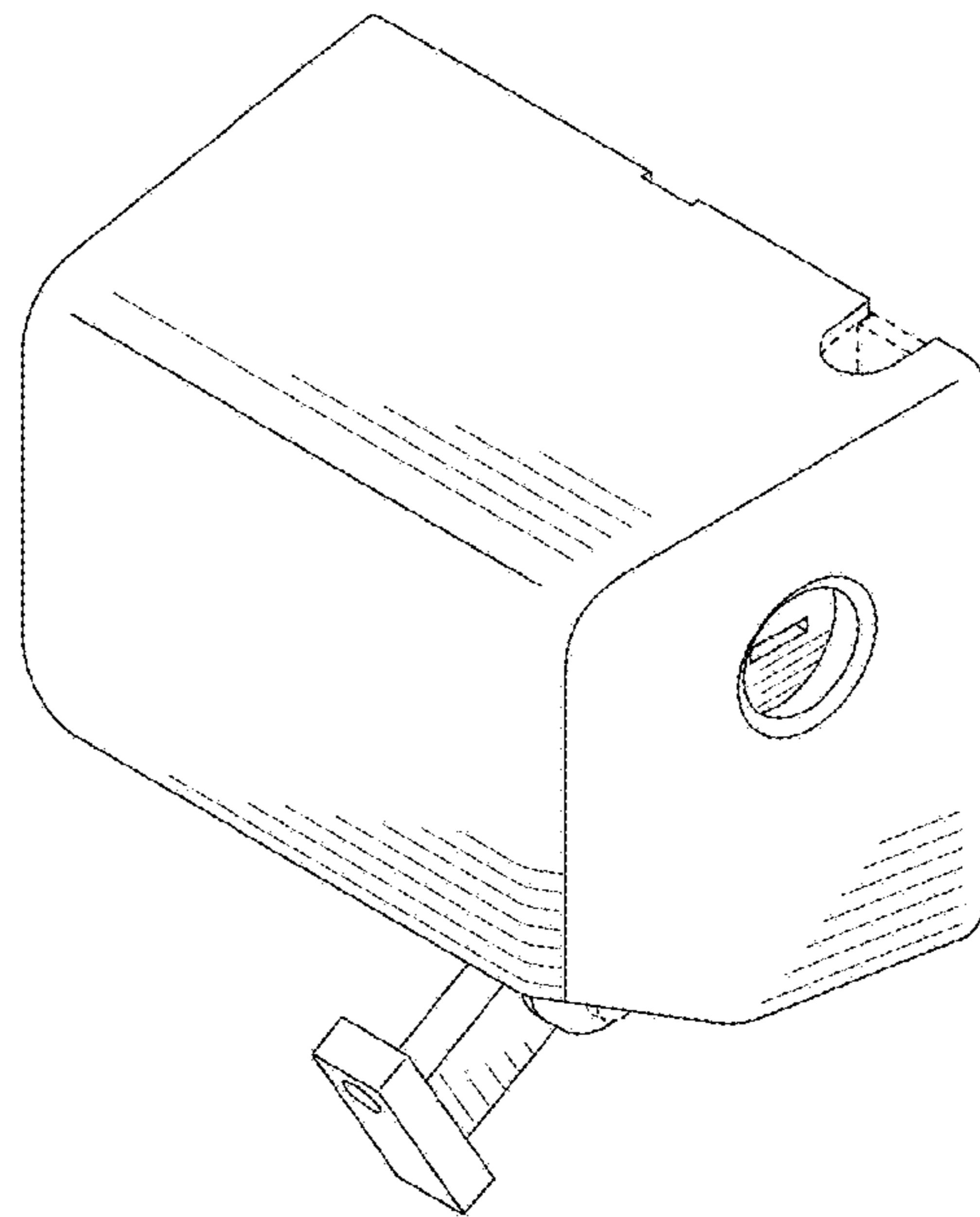


Fig.2

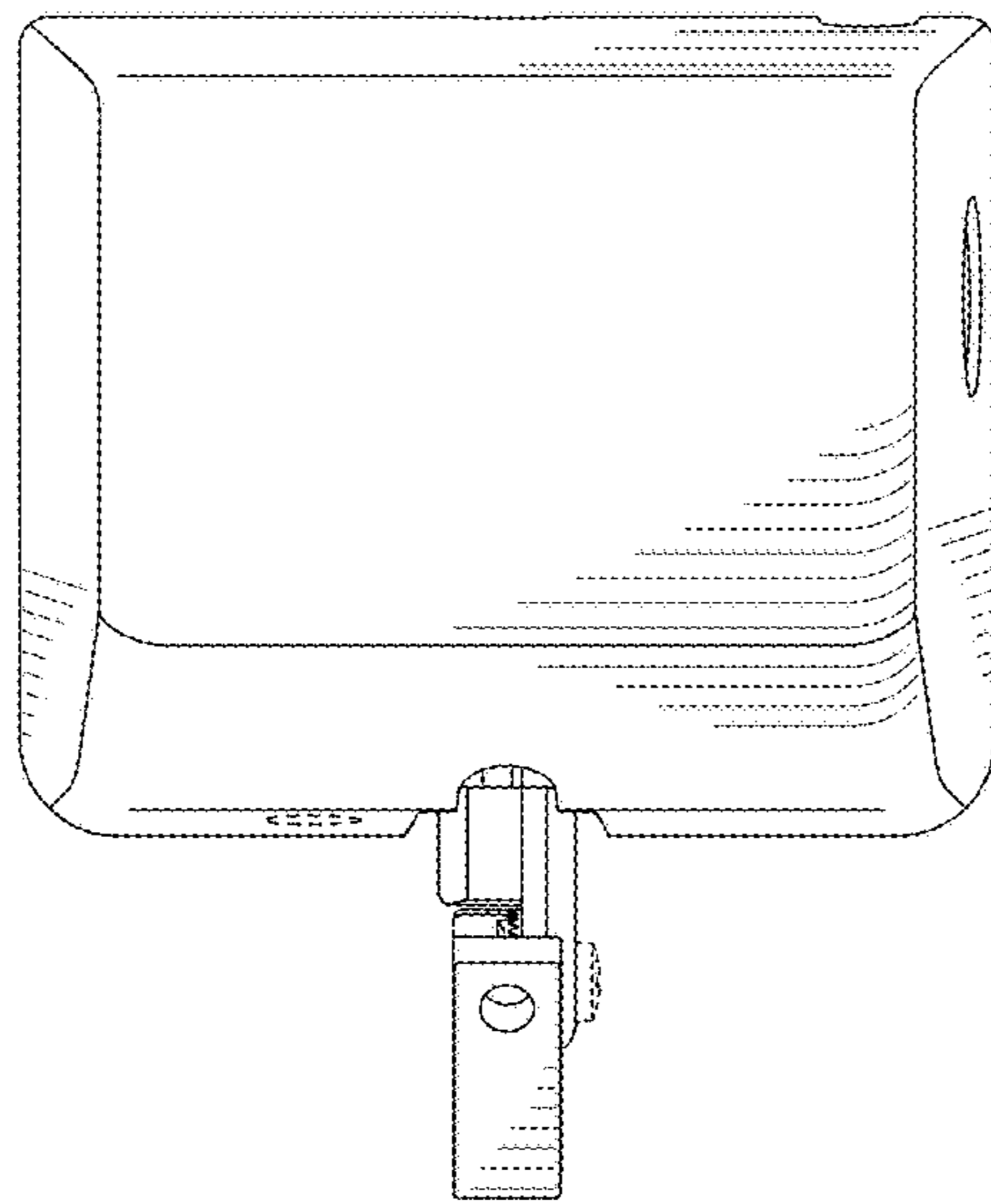


Fig.3

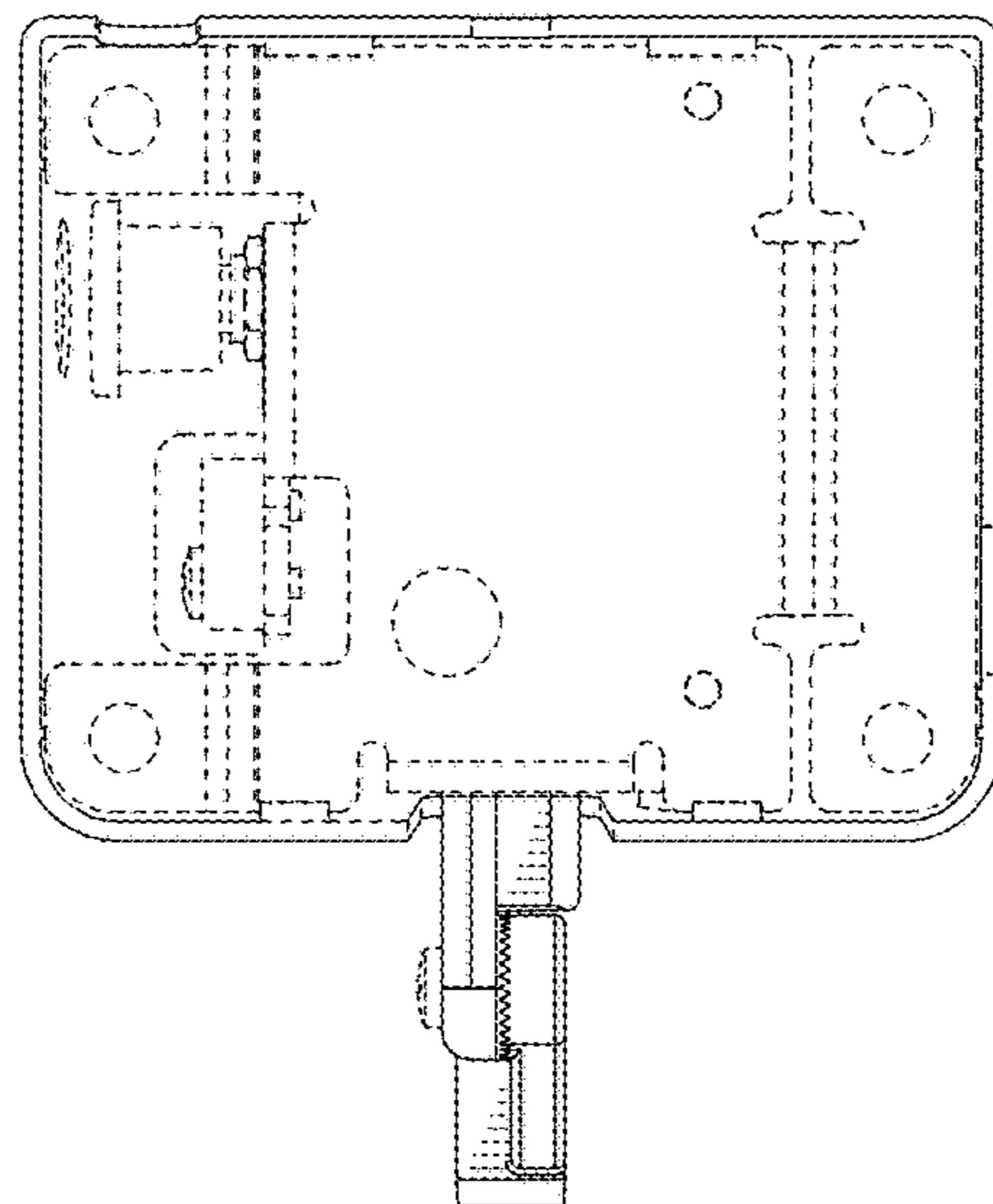


Fig.4

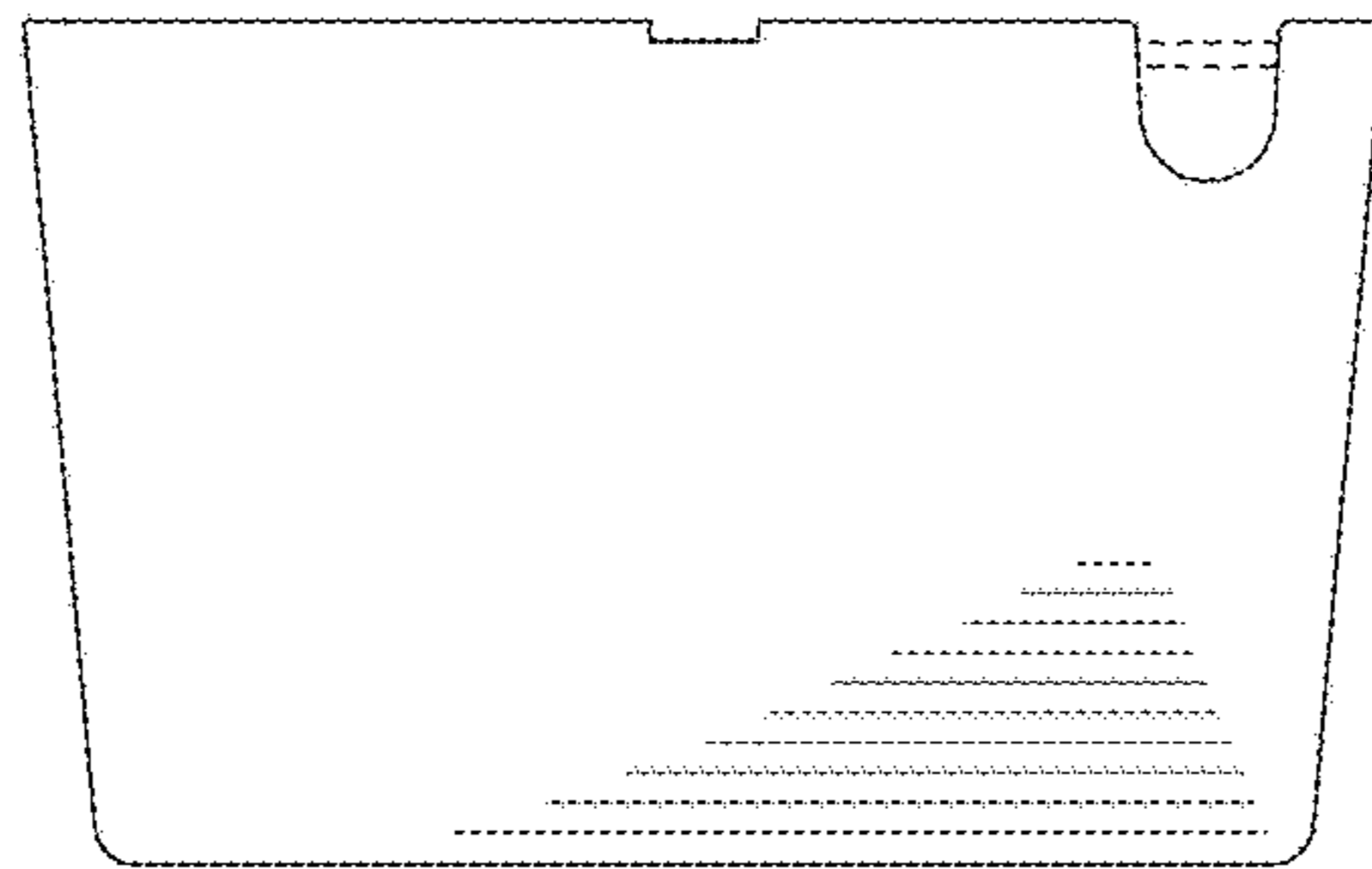


Fig. 5

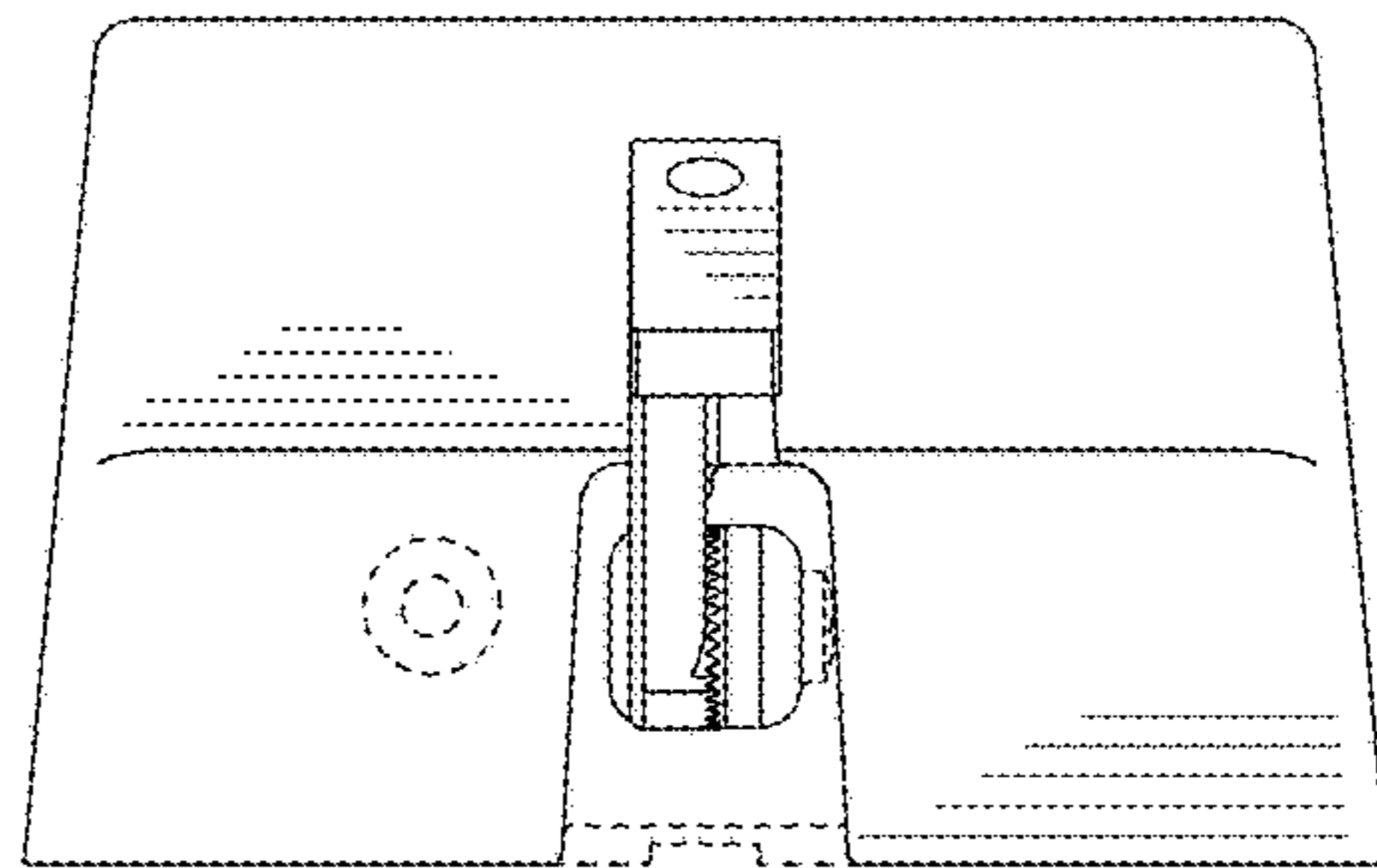


Fig.6

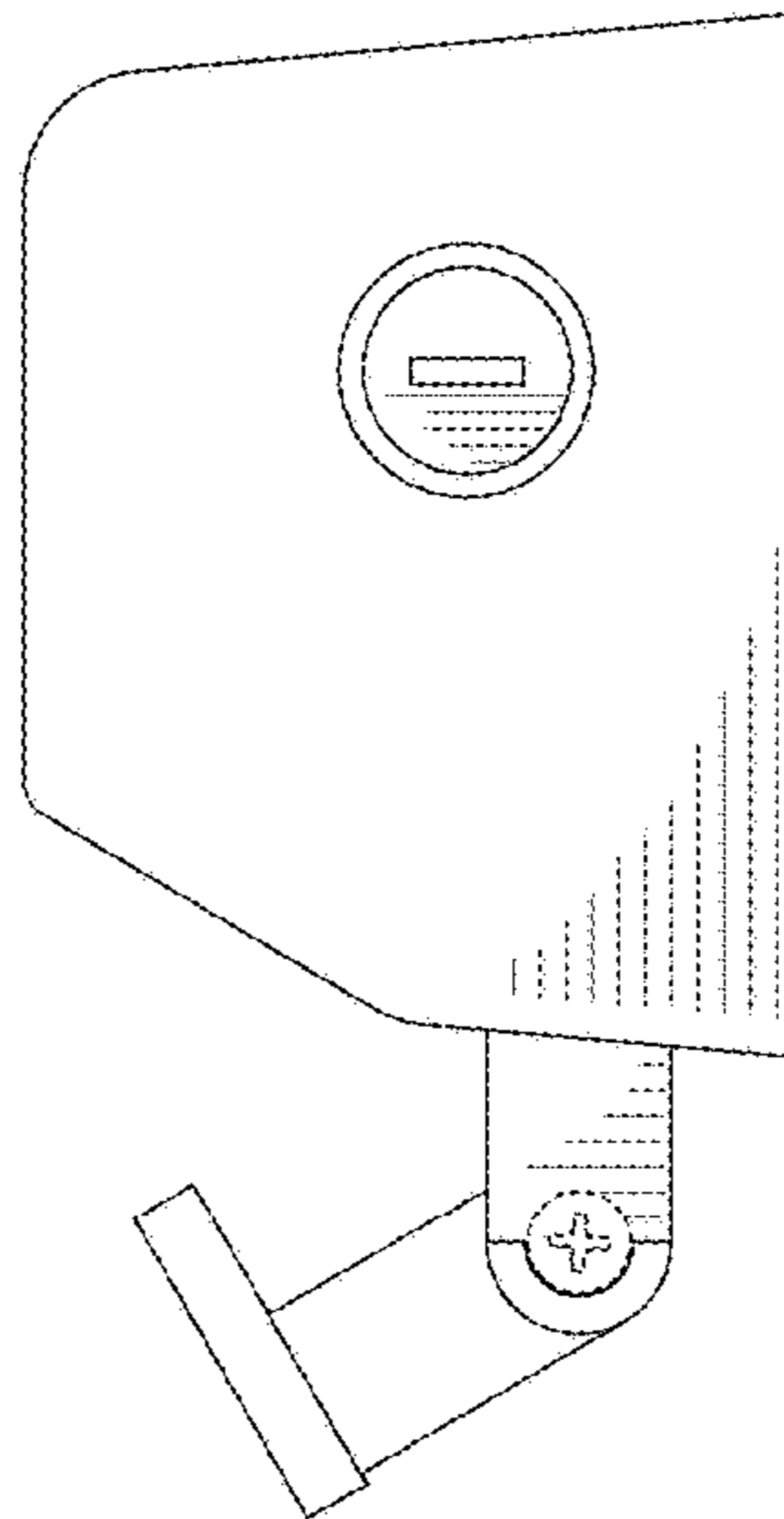


Fig.7

