



US00D838687S

(12) **United States Design Patent**
Wu

(10) **Patent No.:** **US D838,687 S**
(45) **Date of Patent:** **** Jan. 22, 2019**

- (54) **HEADSET**
- (71) Applicant: **SHENZHEN AONI ELECTRONIC CO., LTD**, Shenzhen (CN)
- (72) Inventor: **Shijie Wu**, Shenzhen (CN)
- (**) Term: **15 Years**
- (21) Appl. No.: **29/609,681**
- (22) Filed: **Jul. 4, 2017**
- (30) **Foreign Application Priority Data**
Apr. 25, 2017 (CN) 2017 3 0141983
- (51) **LOC (11) Cl.** **14-01**
- (52) **U.S. Cl.**
USPC **D14/205**
- (58) **Field of Classification Search**
USPC D14/205; D29/112; 2/209; 181/129, 181/130, 135; 379/430, 431; 381/380, 381/381; 455/90.3, 575.1, 569.1
CPC H04R 1/1066; H04R 1/1016; H04R 5/033; H04R 5/0335; H04R 1/10; H04R 25/00
See application file for complete search history.

- (56) **References Cited**
U.S. PATENT DOCUMENTS
- 4,542,803 A * 9/1985 Houg H04R 1/1058
181/129
- D328,074 S * 7/1992 Yamazaki D14/205
- D337,115 S * 7/1993 Yamazaki D14/205
- D386,181 S * 11/1997 Fisher D14/192
- D394,062 S * 5/1998 Chun D14/192
- D430,140 S * 8/2000 Roman D14/205
- D571,354 S * 6/2008 Ng D14/205
- D573,581 S * 7/2008 Gondo D14/205
- D588,100 S * 3/2009 Densho D14/205
- D593,995 S * 6/2009 Shimizu D14/205

- 7,735,154 B2 * 6/2010 Gellis A61F 11/14
2/209
- D625,705 S * 10/2010 Otori D14/205
- D632,668 S * 2/2011 Brunner D14/205
- D634,732 S * 3/2011 Kondo D14/205
- D638,397 S * 5/2011 McManigal D14/205
- D639,776 S * 6/2011 Arimoto D14/205
- D657,344 S * 4/2012 Brunner D14/205
- D657,346 S * 4/2012 Park D14/205
- D662,490 S * 6/2012 McSweyn D14/205
- D664,118 S * 7/2012 Tappeiner D14/205
- 8,213,667 B2 * 7/2012 Nelson F16C 11/06
381/370
- D665,775 S * 8/2012 Katsumata D14/205
- 8,325,962 B2 * 12/2012 Ishida H04R 5/0335
381/370
- D675,595 S * 2/2013 Cho D14/205
- 8,559,665 B2 * 10/2013 Schmidt H04R 1/1066
381/370

(Continued)

Primary Examiner — Paula Allen Greene
(74) *Attorney, Agent, or Firm* — Prakash Nama; Global IP Services, PLLC

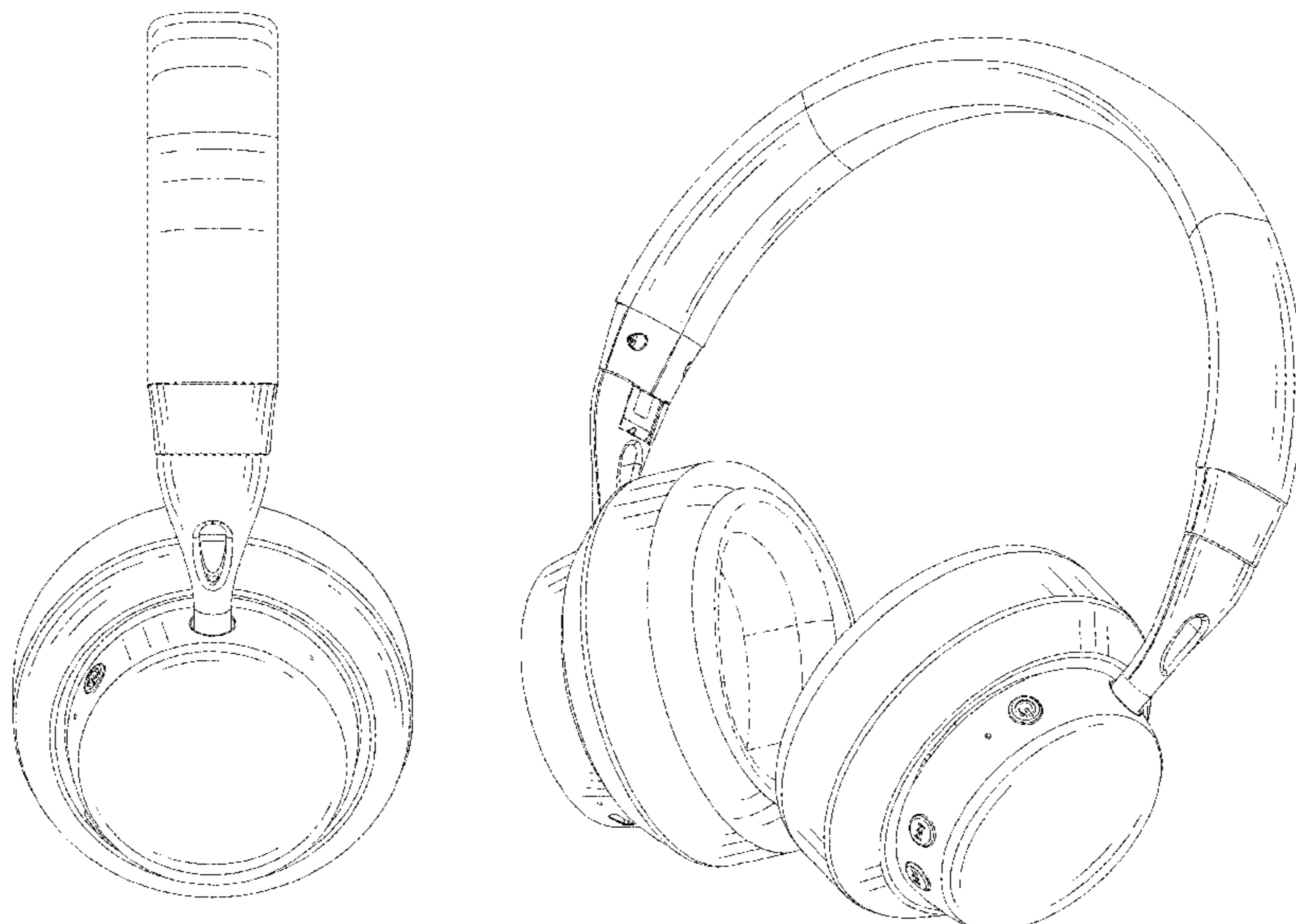
(57) **CLAIM**

The ornamental design for a headset, as shown and described.

DESCRIPTION

FIG. 1 is a front view of a headset showing my new design; FIG. 2 is a rear view thereof; FIG. 3 is a left side view thereof; FIG. 4 is a right side view thereof; FIG. 5 is a top plan view thereof; FIG. 6 is a bottom plan view thereof; FIG. 7 is a front perspective view thereof; and, FIG. 8 is a rear perspective view thereof. The broken lines depict environment that forms no part of the claimed design.

1 Claim, 7 Drawing Sheets



(56)

References Cited

U.S. PATENT DOCUMENTS

8,737,668	B1 *	5/2014	Blair	H04R 1/1066	
						381/378
D743,369	S *	11/2015	Mackiewicz	D14/205	
D750,041	S *	2/2016	Birger	D14/205	
D768,110	S *	10/2016	Suzuki	D14/205	
D773,434	S *	12/2016	Wu	D14/205	
D816,061	S *	4/2018	Ando	D14/205	
2008/0069391	A1 *	3/2008	Steyn	H04R 1/1025	
						381/371

* cited by examiner



Fig. 1



Fig. 2

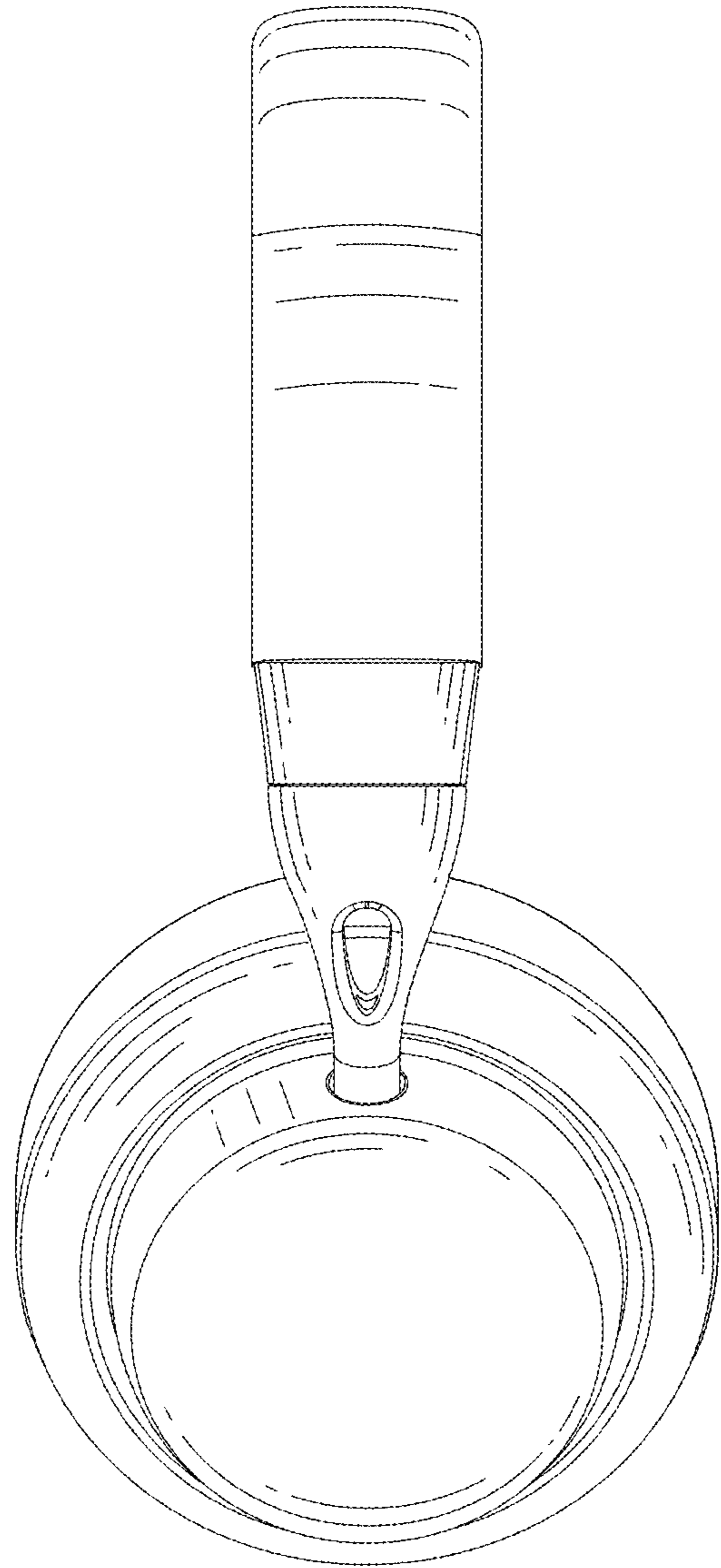


Fig.3

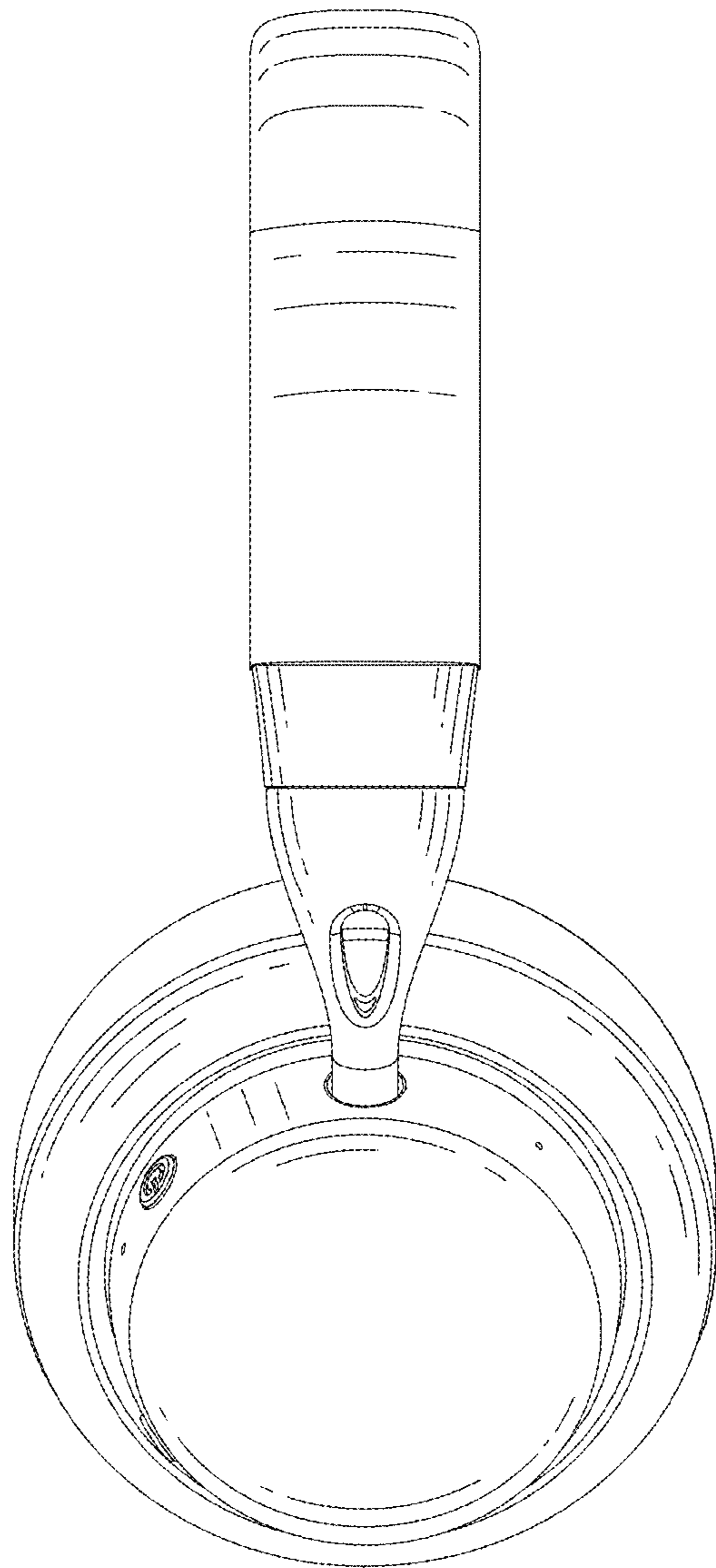


Fig. 4

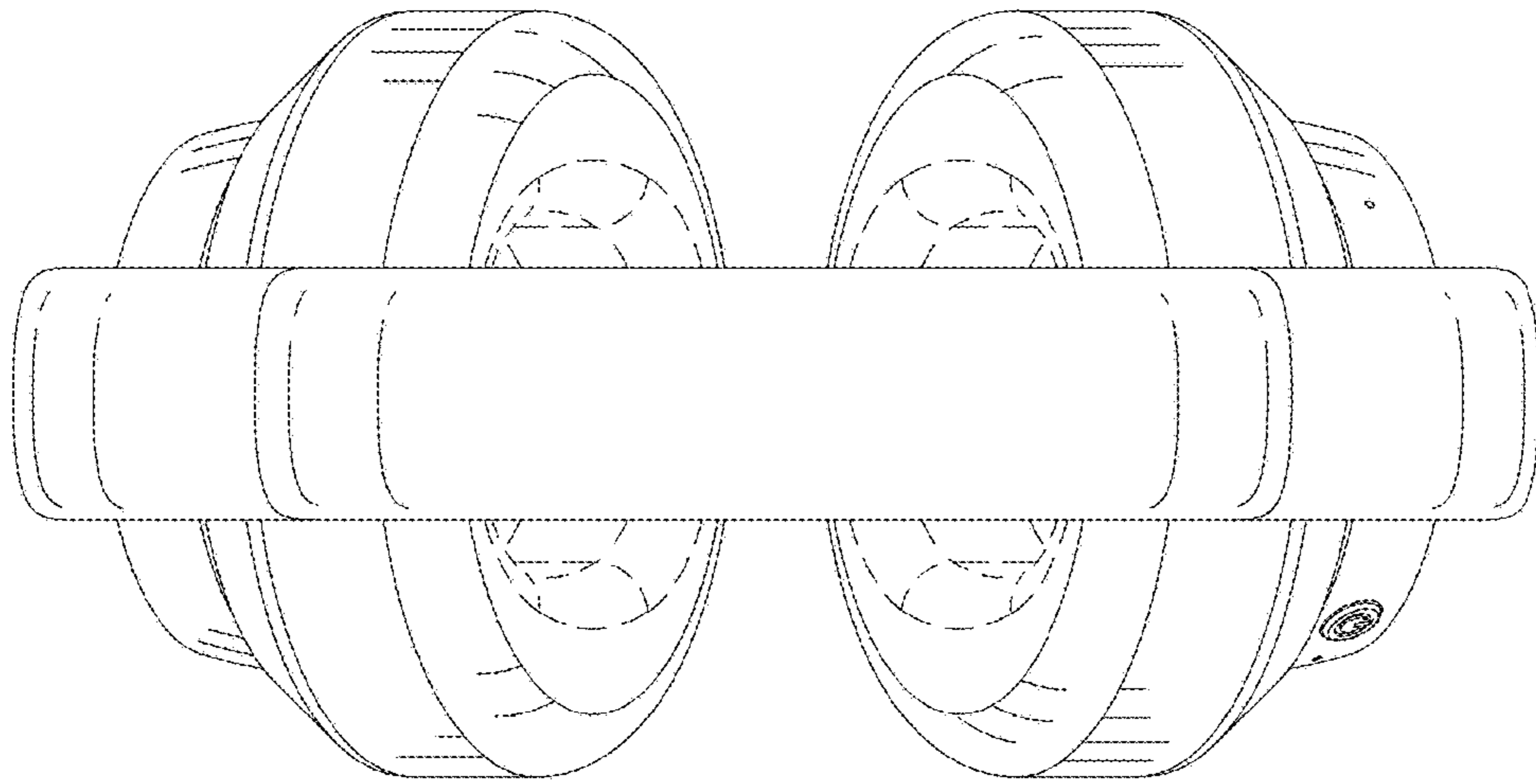


Fig. 5

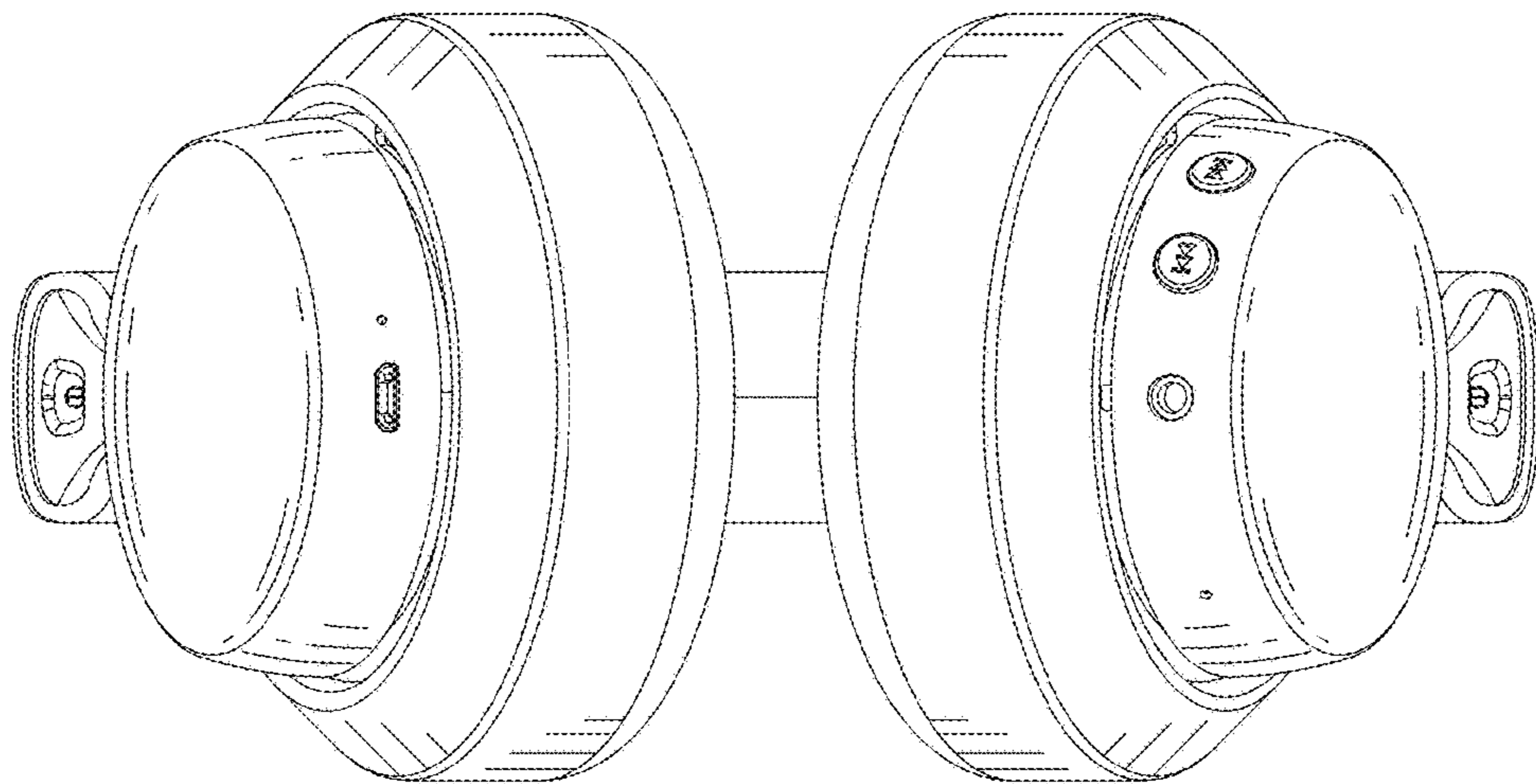


Fig. 6



Fig. 7

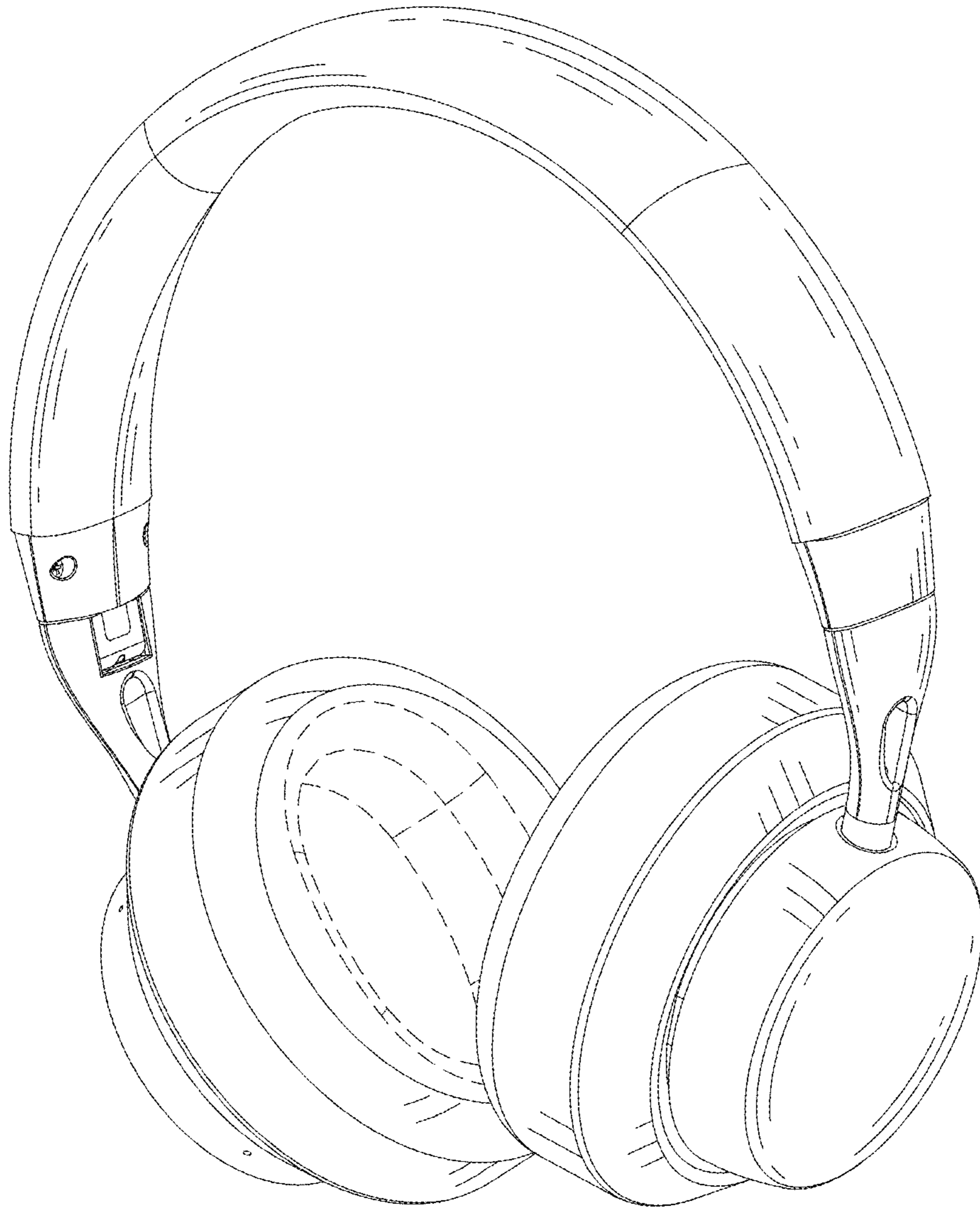


Fig. 8