



US00D838682S

(12) **United States Design Patent**
Song et al.

(10) **Patent No.:** **US D838,682 S**
(45) **Date of Patent:** **** Jan. 22, 2019**

(54) **TELEVISION RECEIVER**

D14/315–318, 388–389, 336, 371,
D14/374–377, 448, 450, 451, 447, 420,
D14/426–430, 453, 412, 498, 507;
(Continued)

(71) Applicant: **LG DISPLAY CO., LTD.**, Seoul (KR)

(72) Inventors: **Hyun Jin Song**, Jeonju-si (KR); **Ji Woon Min**, Paju-si (KR); **Young Nam Lee**, Incheon (KR); **Jin Ho Choi**, Paju-si (KR); **Il Yong Kim**, Daejeon (KR); **Jang Hyun Cho**, Seoul (KR)

(56) **References Cited**

U.S. PATENT DOCUMENTS

D424,538 S * 5/2000 Hayashi D14/126
6,788,527 B2 * 9/2004 Doczy G06F 1/1626
312/208.1

(Continued)

(73) Assignee: **LG DISPLAY CO., LTD.**, Seoul (KR)

Primary Examiner — Barbara Fox
Assistant Examiner — Dana K Weiland

(**) Term: **15 Years**

(74) *Attorney, Agent, or Firm* — Birch, Stewart, Kolasch & Birch, LLP

(21) Appl. No.: **35/502,363**

(57) **CLAIM**

The ornamental design for a television receiver, as shown and described.

(22) Filed: **Aug. 2, 2016**

DESCRIPTION

(80) **Hague Agreement Data**

Int. Filing Date: **Aug. 2, 2016**

Int. Reg. No.: **DM/091993**

Int. Reg. Date: **Aug. 2, 2016**

Int. Reg. Pub. Date: **Feb. 3, 2017**

1. Television receiver
2. Television receiver
- 1.1 is a top, front, right perspective view of a first embodiment of a television receiver;
- 1.2 is a front view thereof;
- 1.3 is a rear view thereof;
- 1.4 is a left side view thereof;
- 1.5 is a right side view thereof;
- 1.6 is a top plan view thereof;
- 1.7 is a bottom plan view thereof;
- 1.8 is a top, rear, left perspective view thereof;
- 1.9 is a front view showing the television receiver in a state of use;
- 2.1 is a top, front, right perspective view of a second embodiment of a television receiver;
- 2.2 is a front view thereof;
- 2.3 is a rear view thereof;
- 2.4 is a left side view thereof;
- 2.5 is a right side view thereof;
- 2.6 is a top plan view thereof;

(Continued)

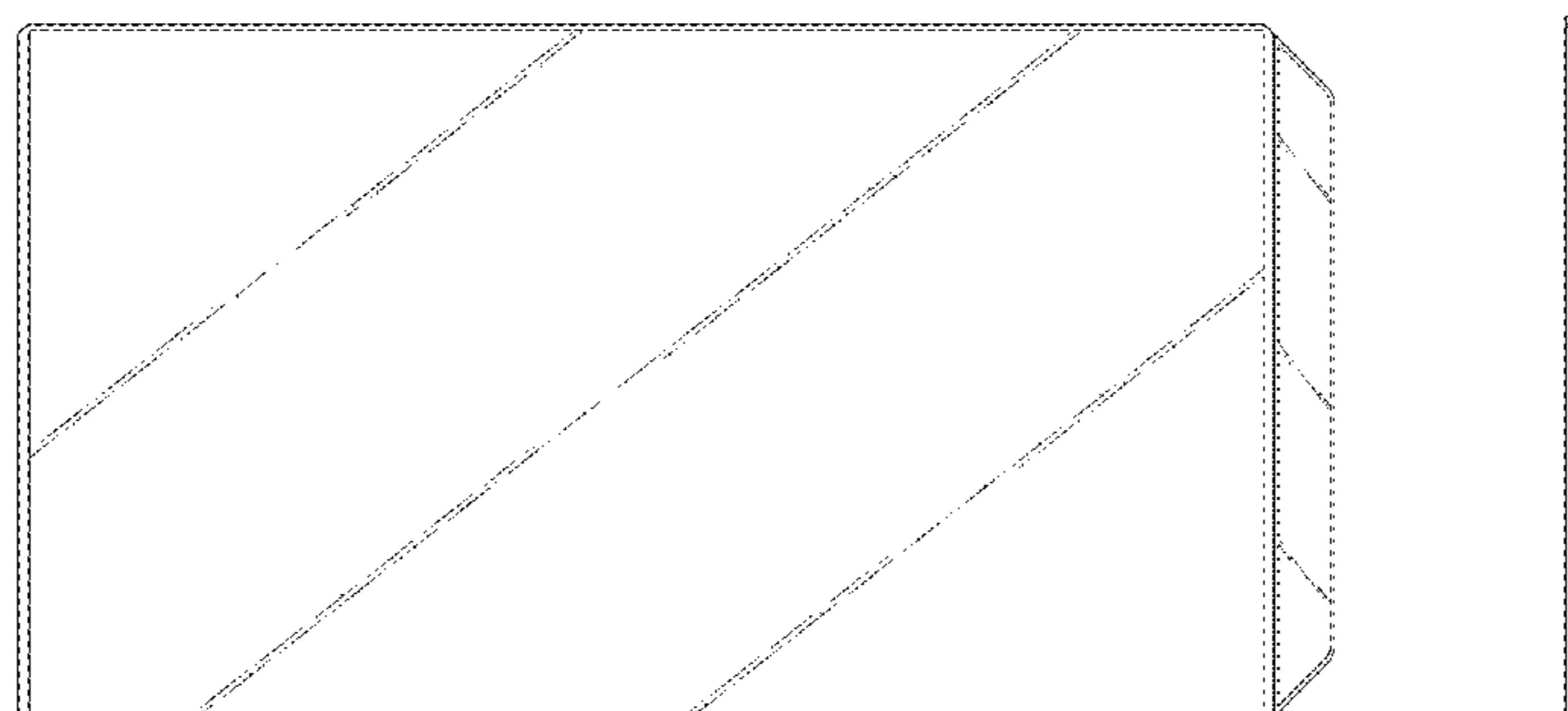
(30) **Foreign Application Priority Data**

Feb. 5, 2016 (KR) 30-2016-0006007

(51) **LOC (11) Cl.** **14-03**

(52) **U.S. Cl.**
USPC **D14/126**

(58) **Field of Classification Search**
USPC .. D14/125, 126, 128, 133, 138 G, 248, 341,
D14/203.1, 203.3, 203.7, 239, 250,



2.7 is a bottom plan view thereof;
 2.8 is a top, rear, left perspective view thereof; and
 2.9 is a front view showing the television receiver in a state of use.
 The broken lines shown in the figures depict portions of the television receiver that form no part of the claimed design.

1 Claim, 18 Drawing Sheets

(58) **Field of Classification Search**

USPC D21/325, 329, 515; D20/10, 19, 39;
 D10/50
 CPC . H04N 5/64; H04N 5/915; H04N 9/11; G09G
 3/3648; G06F 3/016; G06F 3/0488; F16M
 11/10; A47B 97/08
 See application file for complete search history.

(56) **References Cited**

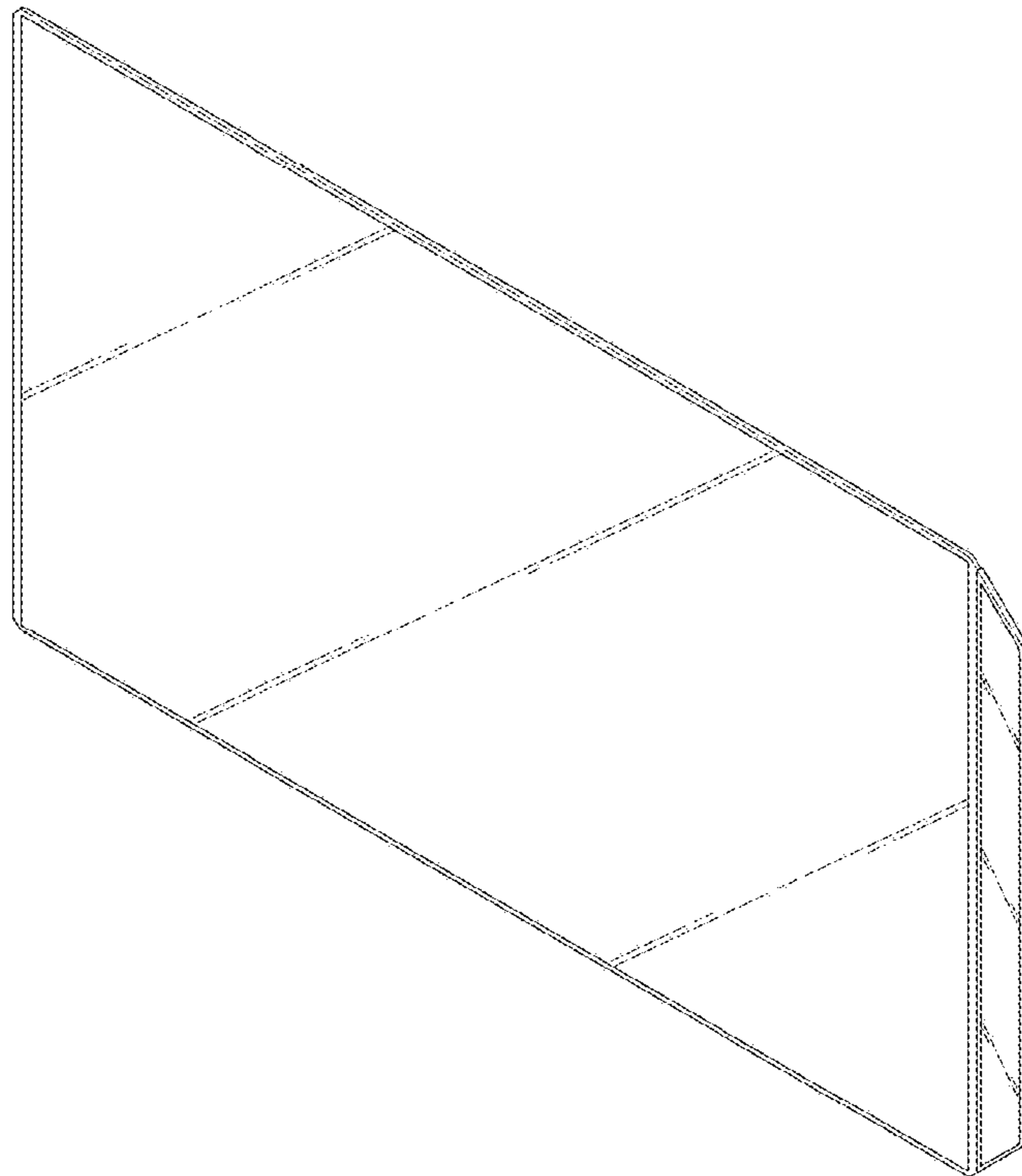
U.S. PATENT DOCUMENTS

D534,881 S * 1/2007 Ju D14/126
 D589,478 S * 3/2009 Wang D14/126
 D601,814 S * 10/2009 Lissola D6/308
 D608,315 S * 1/2010 Mitsuhashi D14/126
 D609,660 S * 2/2010 VanDuyn D14/126
 D609,661 S * 2/2010 VanDuyn D14/126
 D615,527 S * 5/2010 Hwang D14/203.7
 D616,436 S * 5/2010 Busri D14/341

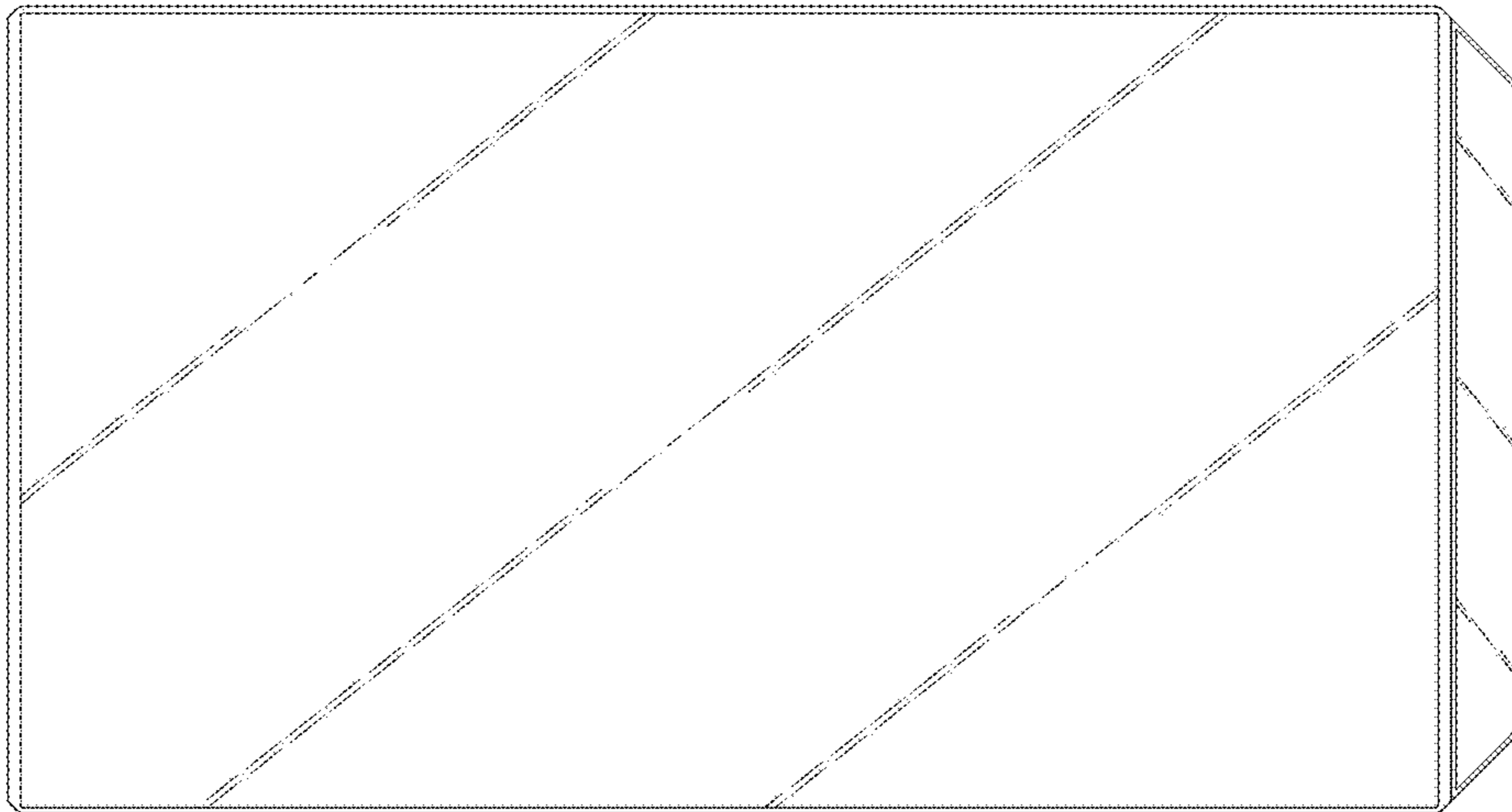
D623,614 S * 9/2010 Wang D14/126
 D629,373 S * 12/2010 Kim D14/126
 D629,769 S * 12/2010 Zhong D14/126
 D634,320 S * 3/2011 Bliven D14/336
 D635,976 S * 4/2011 Lee D14/374
 D645,465 S * 9/2011 Lin D14/341
 D646,258 S * 10/2011 Van Der Flier D14/130
 D651,995 S * 1/2012 Johnson D14/126
 D656,473 S * 3/2012 Laube D14/126
 D656,935 S * 4/2012 Jones D14/341
 D658,140 S * 4/2012 Hwangbo D14/126
 D666,566 S * 9/2012 Sugita D14/126
 D670,256 S * 11/2012 Kim D14/126
 D670,257 S * 11/2012 Yang D14/126
 D673,560 S * 1/2013 Kim D14/341
 D683,709 S * 6/2013 Choi D14/126
 D687,399 S * 8/2013 Takami D14/126
 D691,571 S * 10/2013 Park D14/126
 D704,159 S * 5/2014 Daniel D14/138 G
 D710,351 S * 8/2014 Park D14/341
 D753,077 S * 4/2016 Margis D14/126
 D794,636 S * 8/2017 Park D14/315
 D795,250 S * 8/2017 Han D14/344
 D807,842 S * 1/2018 Sugita D14/126
 D812,026 S * 3/2018 Margis D14/126
 D812,029 S * 3/2018 Kim D14/126
 D812,030 S * 3/2018 Kim D14/126
 D817,909 S * 5/2018 Song D14/127
 D819,582 S * 6/2018 Izadyar D14/126
 D819,585 S * 6/2018 Kang D14/126
 D824,353 S * 7/2018 Won D14/126
 2010/0162326 A1 * 6/2010 Bonar B64D 11/0023
 725/77

* cited by examiner

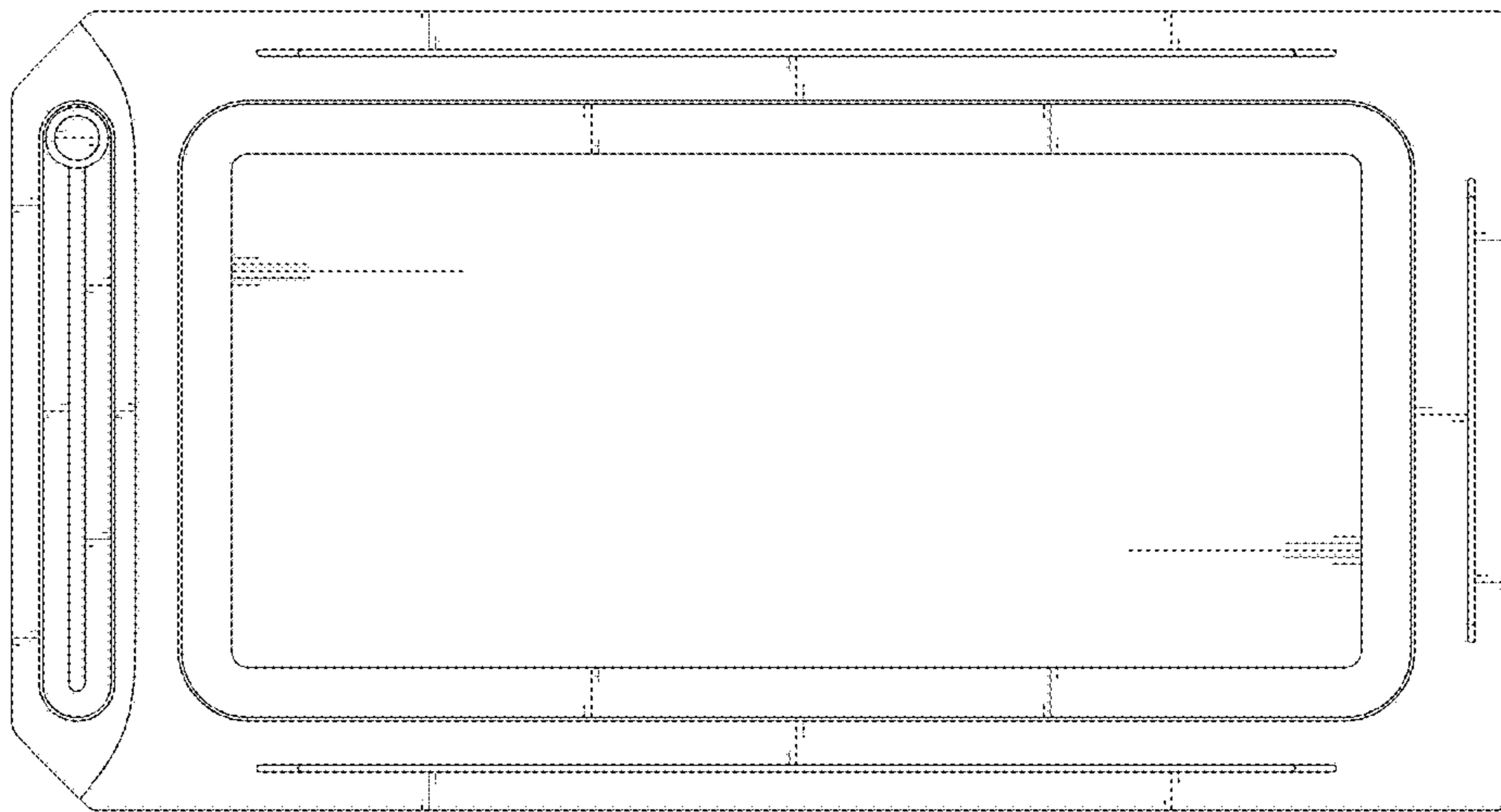
1.1



1.2



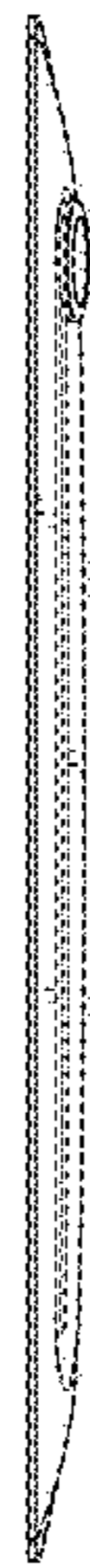
1.3



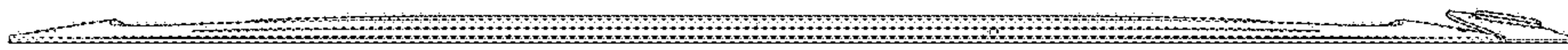
1.4



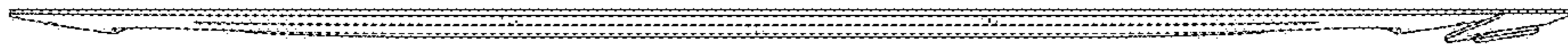
1.5



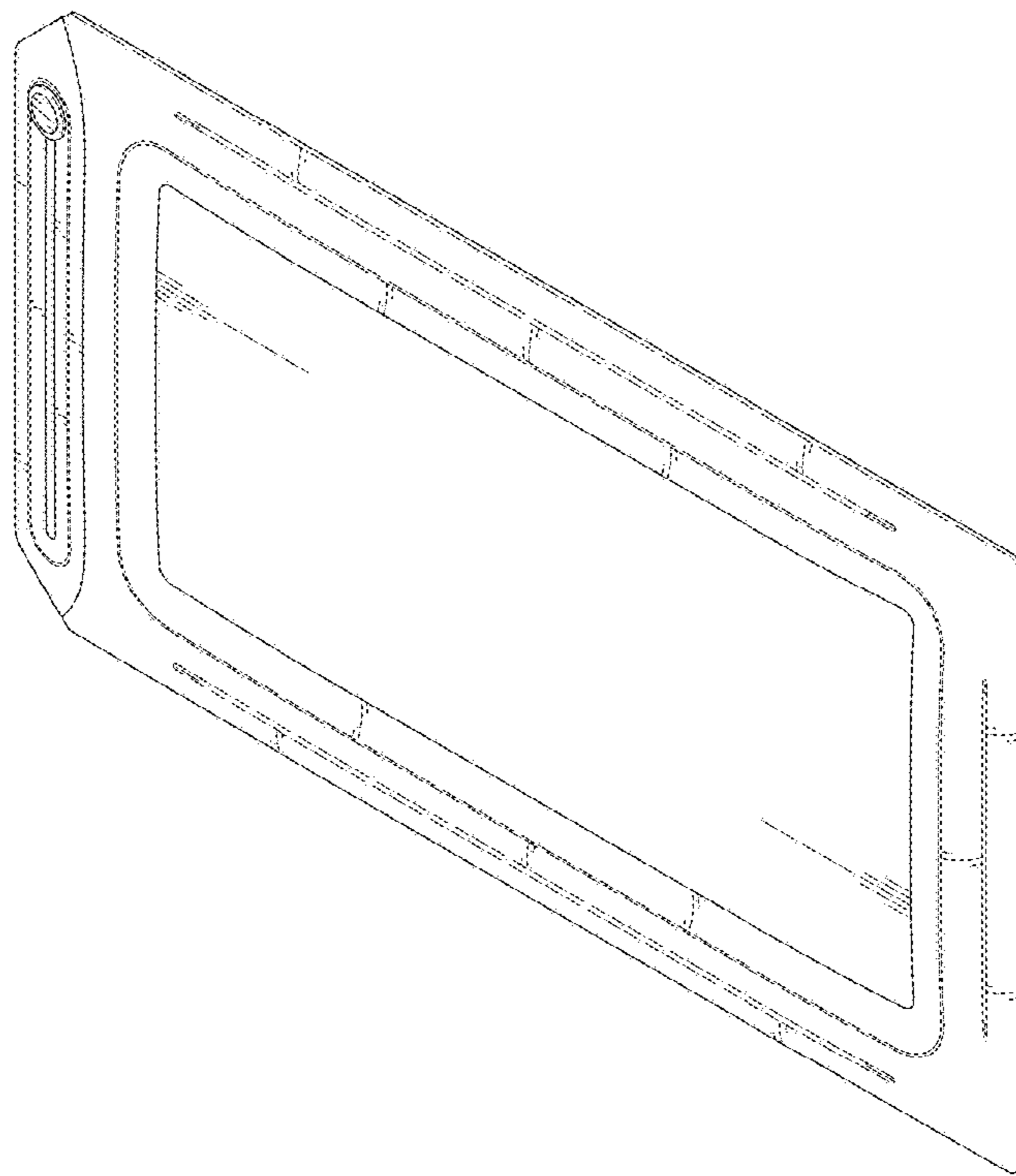
1.6



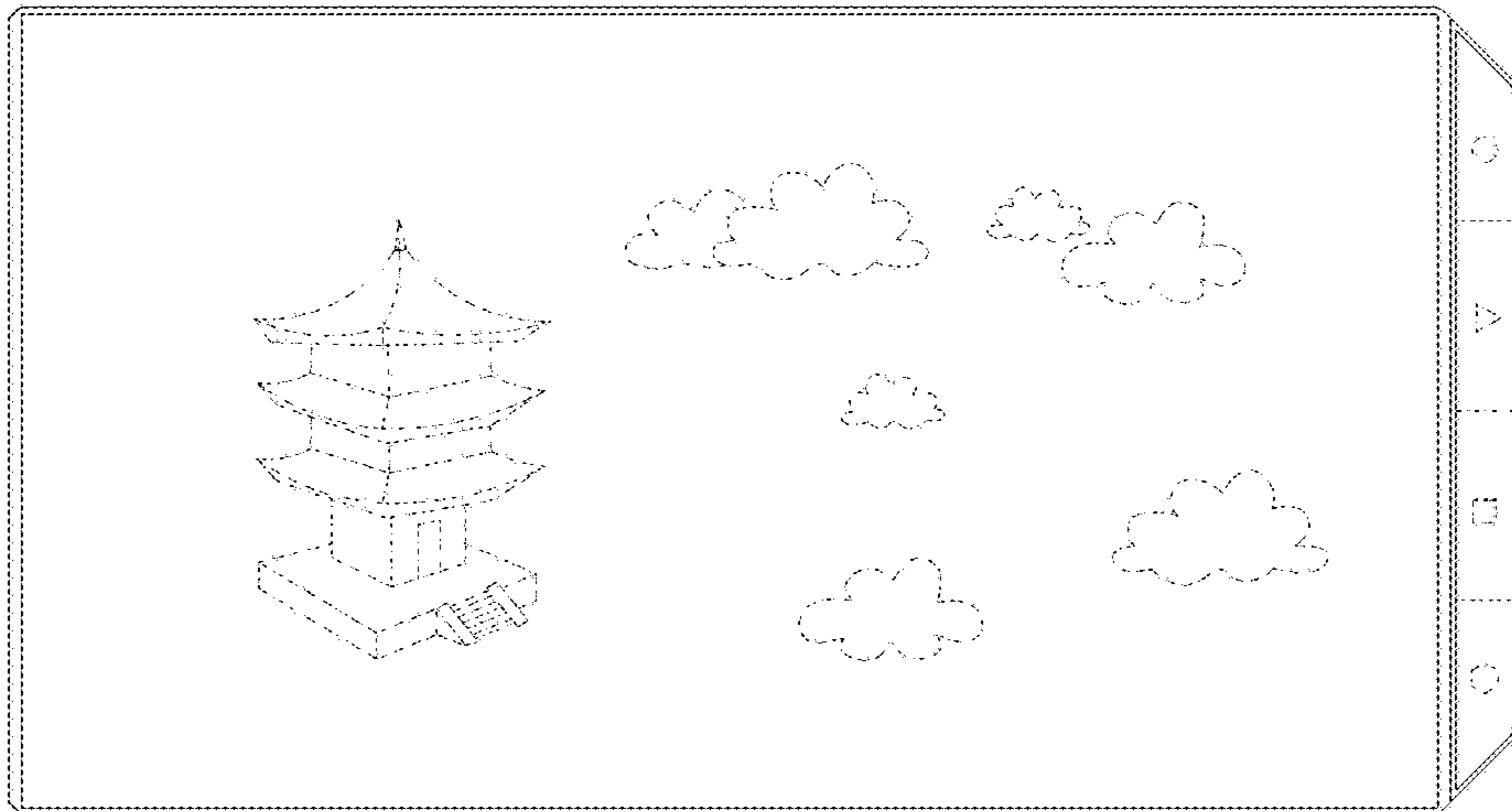
1.7



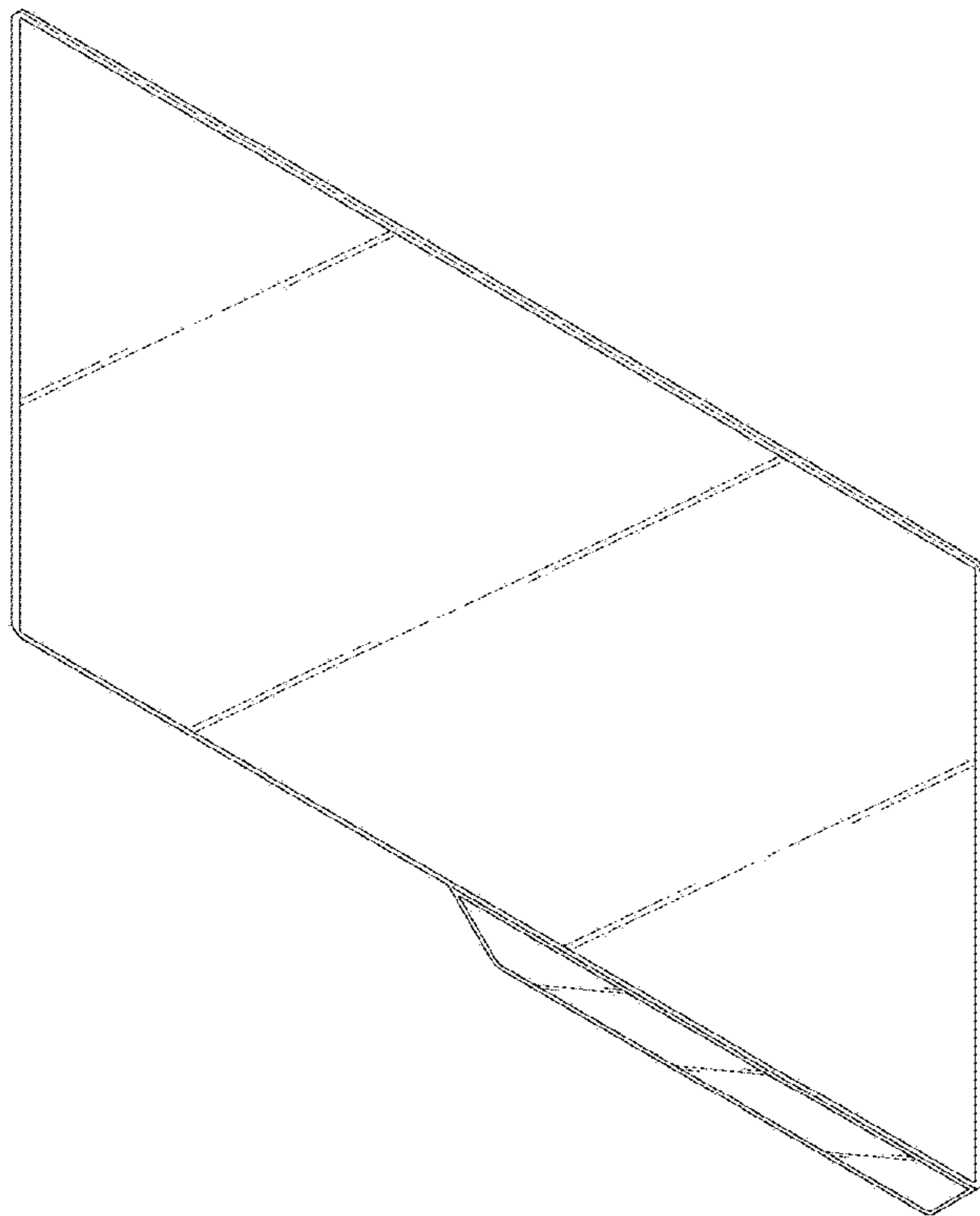
1.8



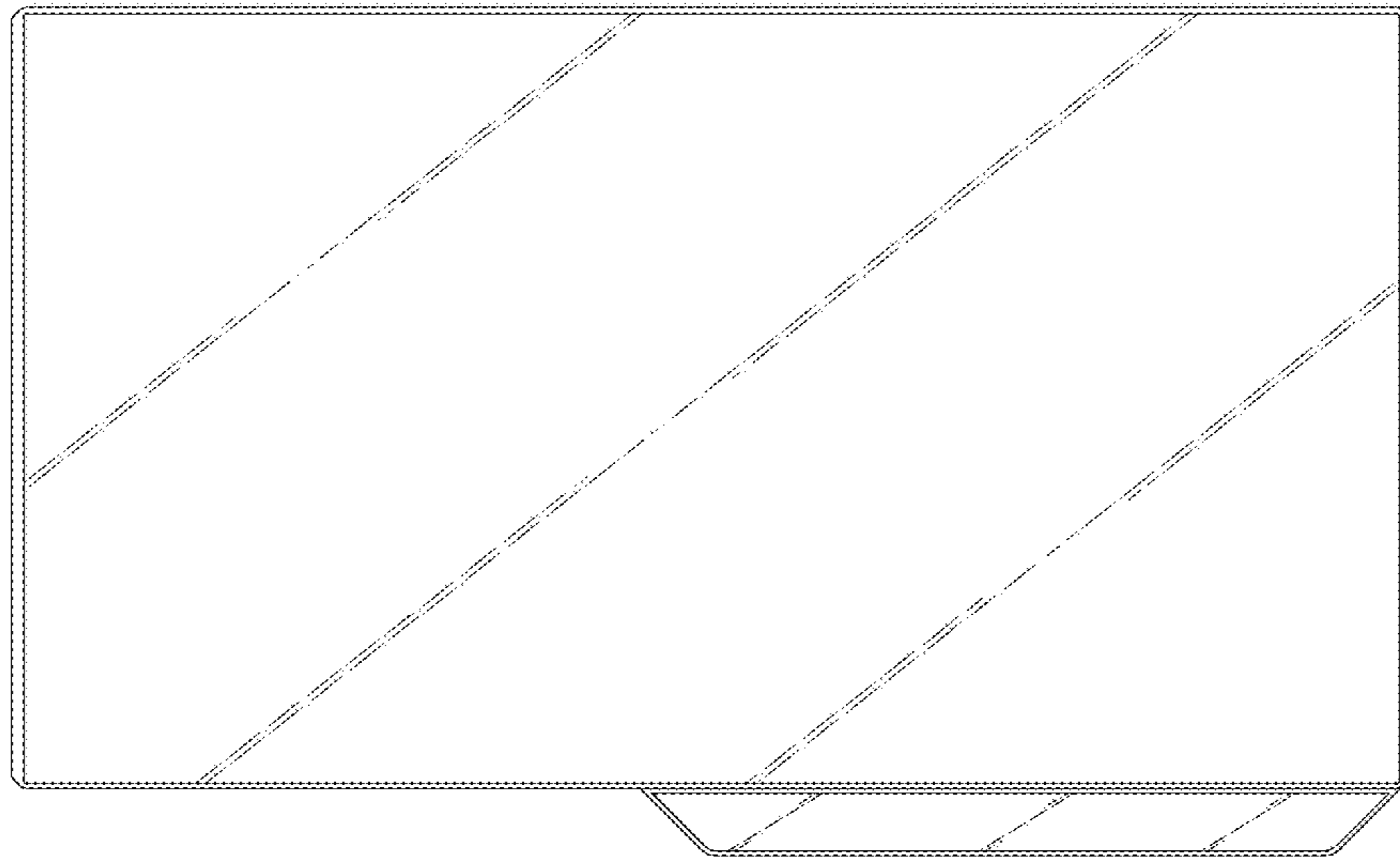
1.9



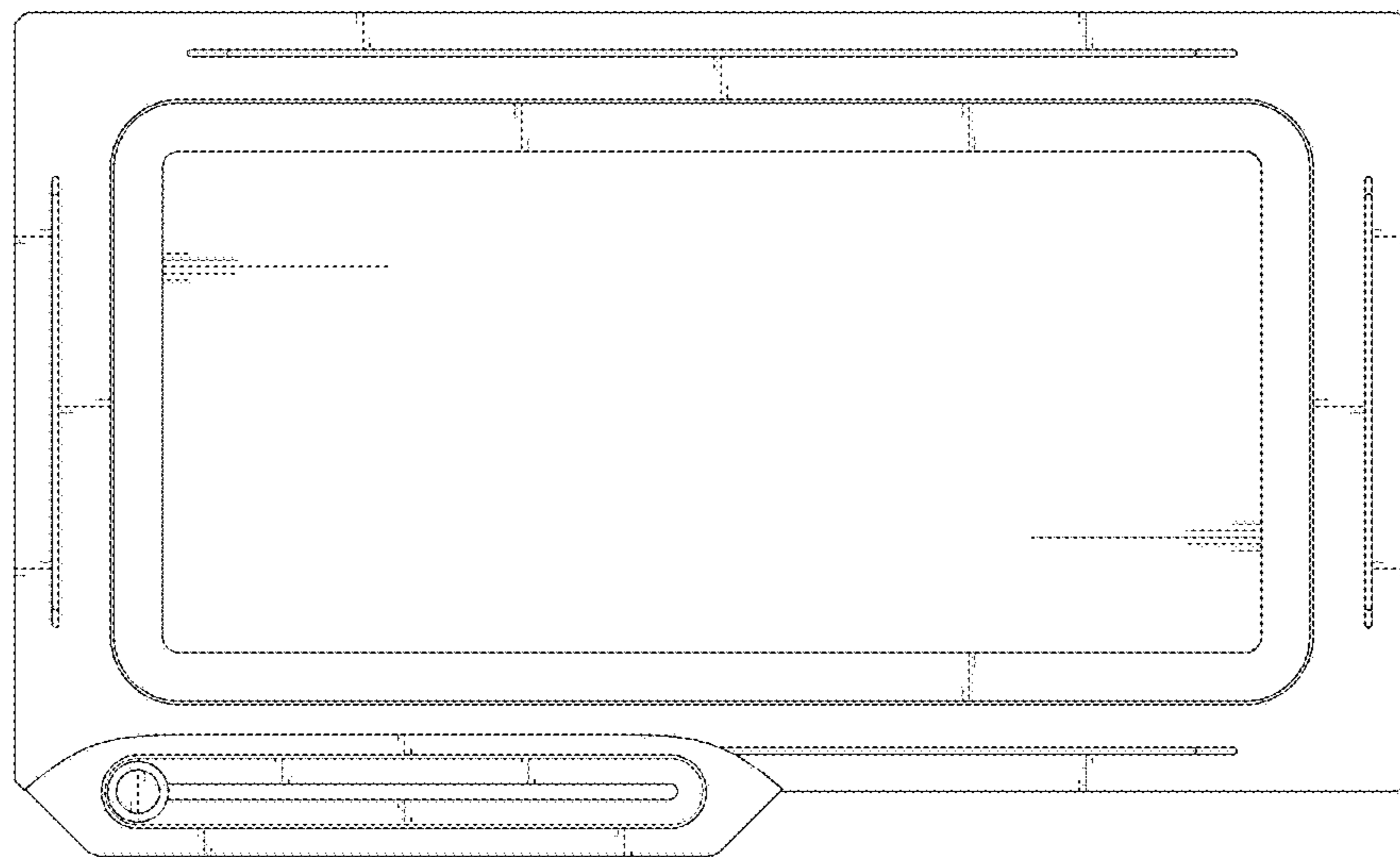
2.1



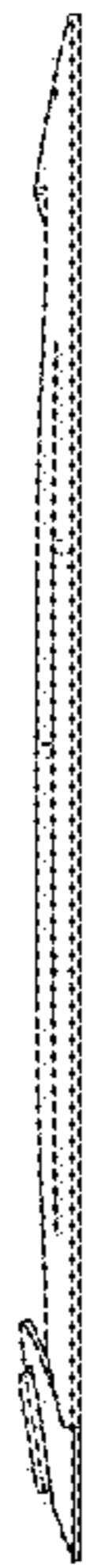
2.2



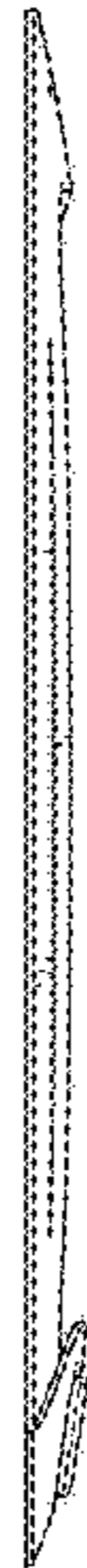
2.3



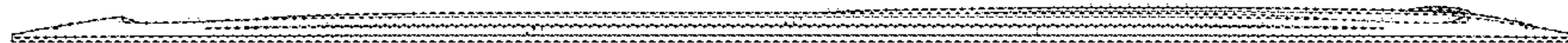
2.4



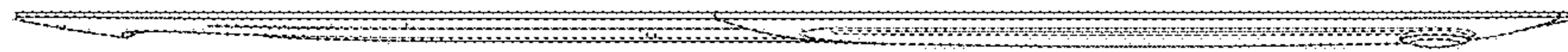
2.5



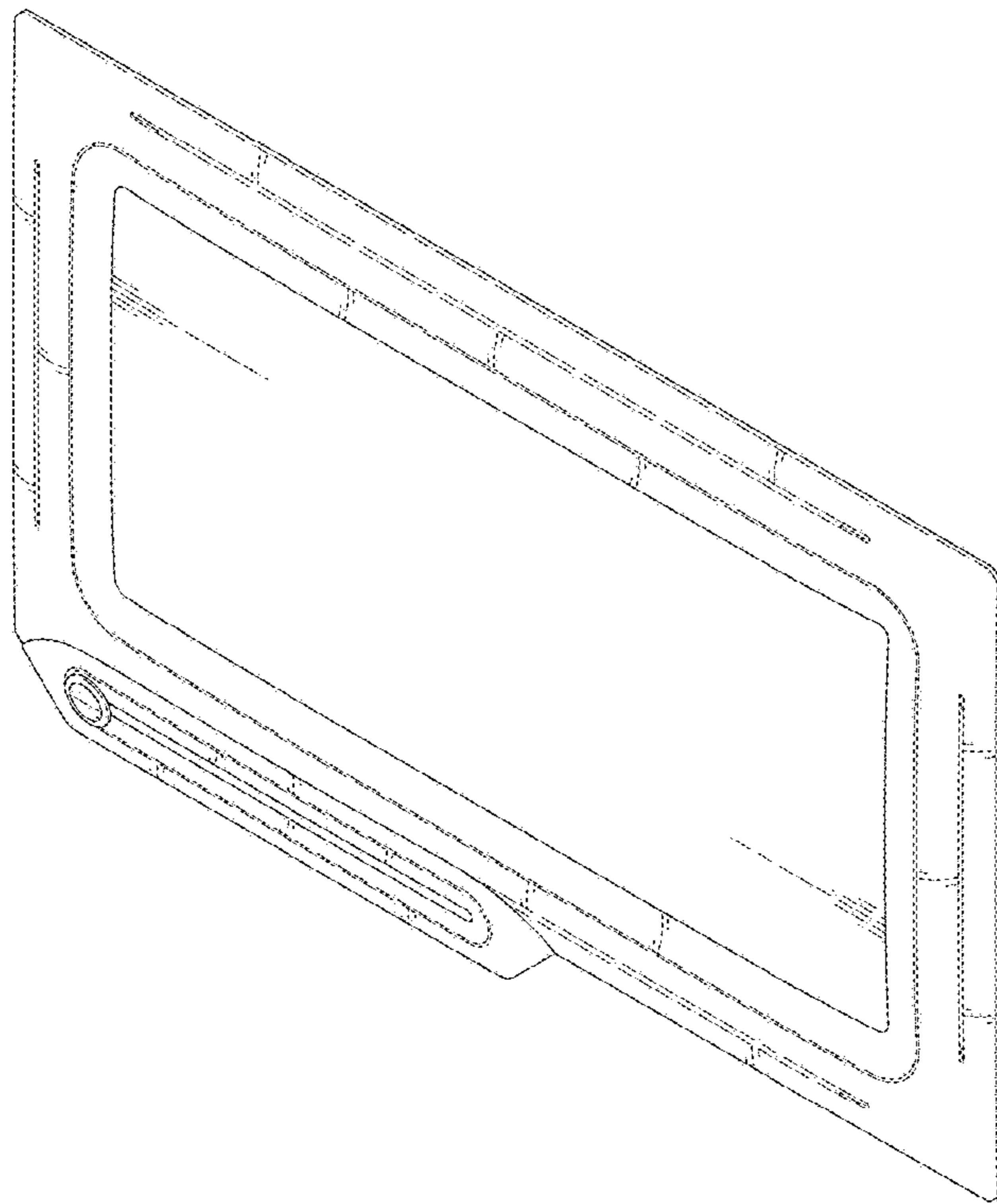
2.6



2.7



2.8



2.9

