



US00D838680S

(12) **United States Design Patent**
Wang et al.

(10) **Patent No.:** **US D838,680 S**
(45) **Date of Patent:** **** Jan. 22, 2019**

(54) **MODULAR ELECTRONIC DEVICE**

(71) Applicants: **Microduino Inc.**, Westlake Village, CA (US); **Meike Technology (Beijing) Ltd.**, Beijing (CN)

(72) Inventors: **Zhenshan Wang**, Oak Park, CA (US); **Kejia Pan**, Oak Park, CA (US); **Bin Feng**, Oak Park, CA (US)

(73) Assignees: **MICRODUINO INC.**, Westlake Village, CA (US); **MEIKE TECHNOLOGY (BEIJING) LTD.**, Beijing (CN)

(**) Term: **15 Years**

(21) Appl. No.: **29/536,825**

(22) Filed: **Aug. 19, 2015**
Related U.S. Application Data

(63) Continuation of application No. 14/721,341, filed on May 26, 2015, now Pat. No. 9,801,300.

(30) **Foreign Application Priority Data**

Feb. 20, 2015 (CN) 2015 1 0085854

(51) **LOC (11) Cl.** **13-03**

(52) **U.S. Cl.**
USPC **D13/182**

(58) **Field of Classification Search**
USPC D13/110, 118, 123, 133, 145-147, 149, D13/154, 173, 182, 184, 199; D14/435-438; D21/438-485, 500
CPC H05K 7/00; H05K 7/14; H05K 7/1427; H05K 7/1435; H05K 5/00; H05K 1/14; H01L 23/24
See application file for complete search history.

(56) **References Cited**

U.S. PATENT DOCUMENTS

D206,327 S * 11/1966 Keys D13/182
D285,583 S * 9/1986 Kassai D21/491
5,565,705 A * 10/1996 Romero H01L 23/473
257/718

(Continued)

OTHER PUBLICATIONS

mCookieMusicplayer dated Jun. 3, 2015, [online], [site visited May 12, 2017]. Available from Internet, <URL: https://www.youtube.com/watch?v=ytnbkf_fXX0>.*

(Continued)

Primary Examiner — Angela J Lee

Assistant Examiner — Shawn T Gingrich

(74) *Attorney, Agent, or Firm* — Anova Law Group, PLLC

(57) **CLAIM**

The ornamental design for a modular electronic device, as shown and described.

DESCRIPTION

FIG. 1 is a top perspective view of a modular electronic device in accordance with the present invention;

FIG. 2 is a bottom perspective view of the modular electronic device shown in FIG. 1;

FIG. 3 is a top view of the modular electronic device shown in FIG. 1;

FIG. 4 is a bottom view of the modular electronic device shown in FIG. 1;

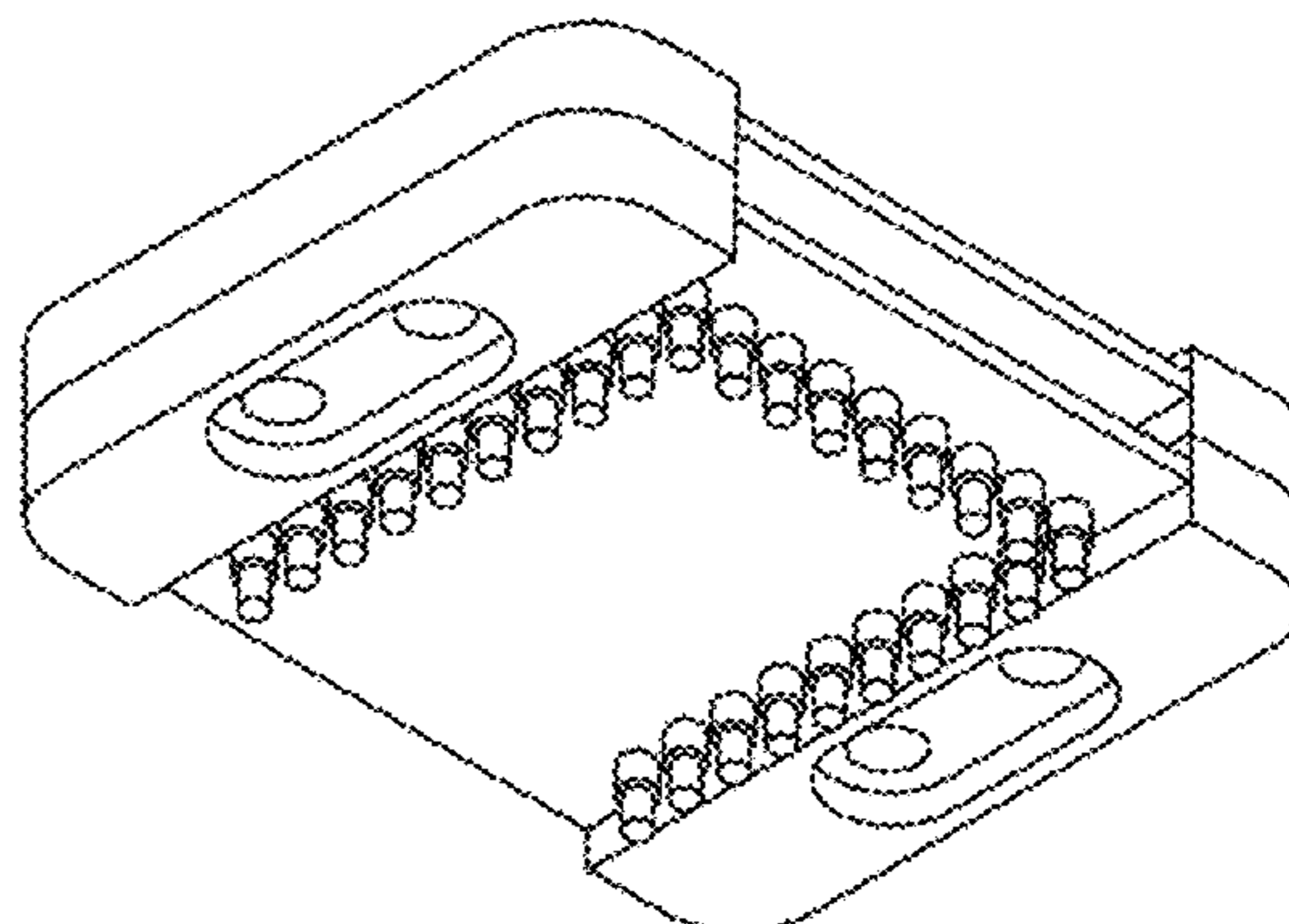
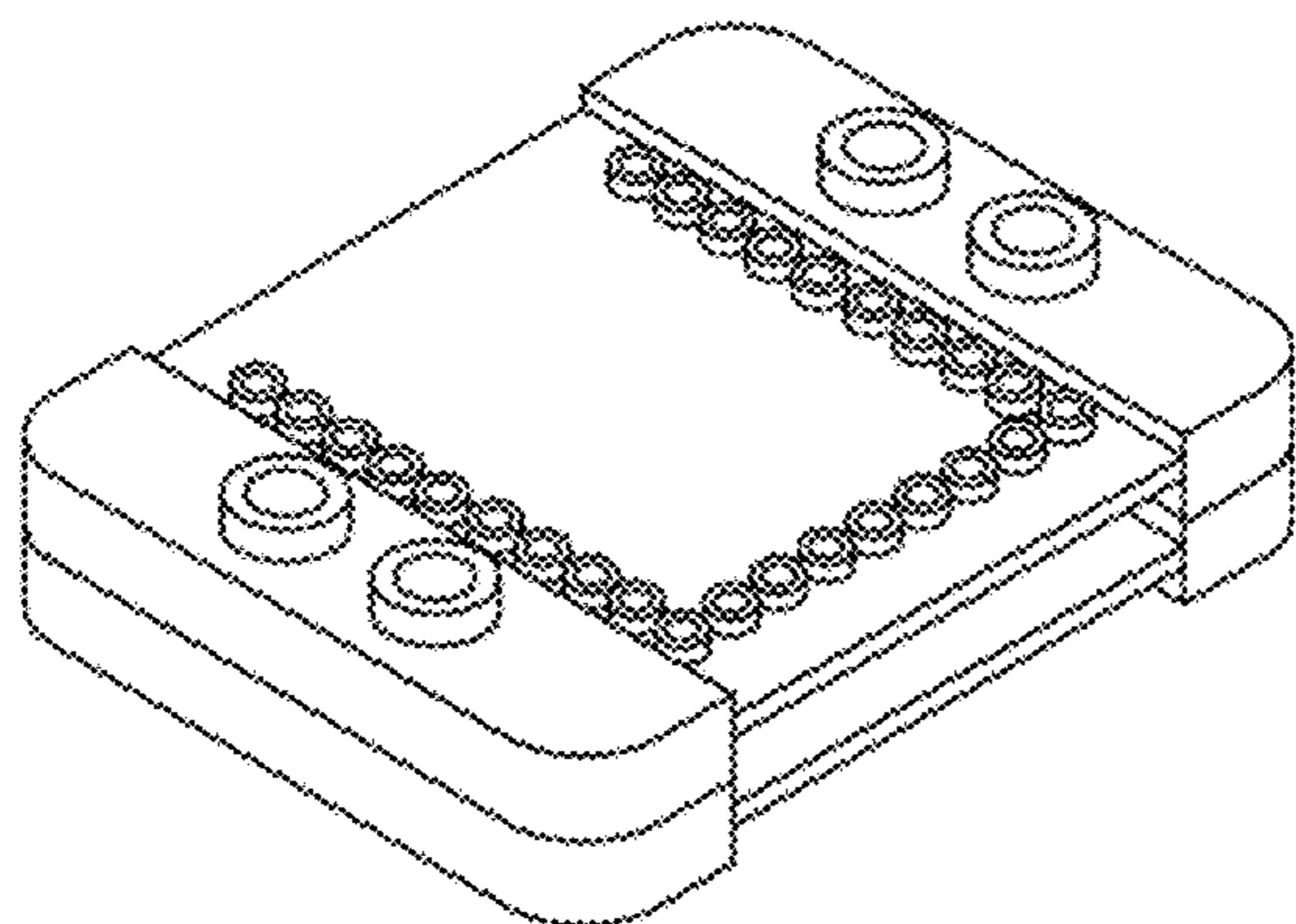
FIG. 5 is a left side view of the modular electronic device shown in FIG. 1;

FIG. 6 is a right side view of the modular electronic device shown in FIG. 1;

FIG. 7 is a front view of the modular electronic device shown in FIG. 1; and,

FIG. 8 is a back view of the modular electronic device shown in FIG. 1.

1 Claim, 4 Drawing Sheets



(56)

References Cited

U.S. PATENT DOCUMENTS

5,841,634 A * 11/1998 Visser F28F 3/12
 165/104.33
 6,759,155 B2 * 7/2004 Haltiner, Jr. F28D 9/005
 429/440
 D724,028 S * 3/2015 Norman D13/123
 D731,491 S * 6/2015 Larson D14/435
 D740,368 S * 10/2015 Norman D13/158
 D758,978 S * 6/2016 Rooyakkers D13/184
 D770,380 S * 11/2016 Lin D13/103
 D776,630 S * 1/2017 Rooyakkers D13/184
 D785,577 S * 5/2017 Kawase D13/182
 9,801,300 B2 * 10/2017 Wang H05K 7/1435
 2003/0038376 A1 * 2/2003 Bolken H01L 21/563
 257/778
 2013/0105975 A1 * 5/2013 Hussain H01L 21/563
 257/741
 2014/0009894 A1 * 1/2014 Yu H05K 5/0021
 361/735

2016/0035646 A1 * 2/2016 Soyano H01L 23/36
 257/692
 2016/0249478 A1 * 8/2016 Wang H05K 7/1435
 2017/0124944 A1 * 5/2017 Cho G09G 3/3225

OTHER PUBLICATIONS

Microduino is Stackable dated Aug. 6, 2013, [online], [site visited May 12, 2017]. Available from Internet, <URL: <https://www.youtube.com/watch?v=174p2Uf2MXU>>.*
 “Small, Stackable . . . ” by TechCrunch.com dated Sep. 16, 2013, [online], [site visited May 12, 2017]. Available from Internet, <URL: <https://techcrunch.com/2013/09/16/small-stackable-and-cheap-microduino-puts-arduino-in-your-pocket/>>.*
 “Microduino mCookie review” by the-gadeteer.com dated Nov. 1, 2015, [online], [site visited May 12, 2017]. Available from Internet, <URL: <http://the-gadeteer.com/2015/11/01/microduino-mcookie-review/>>.*

* cited by examiner

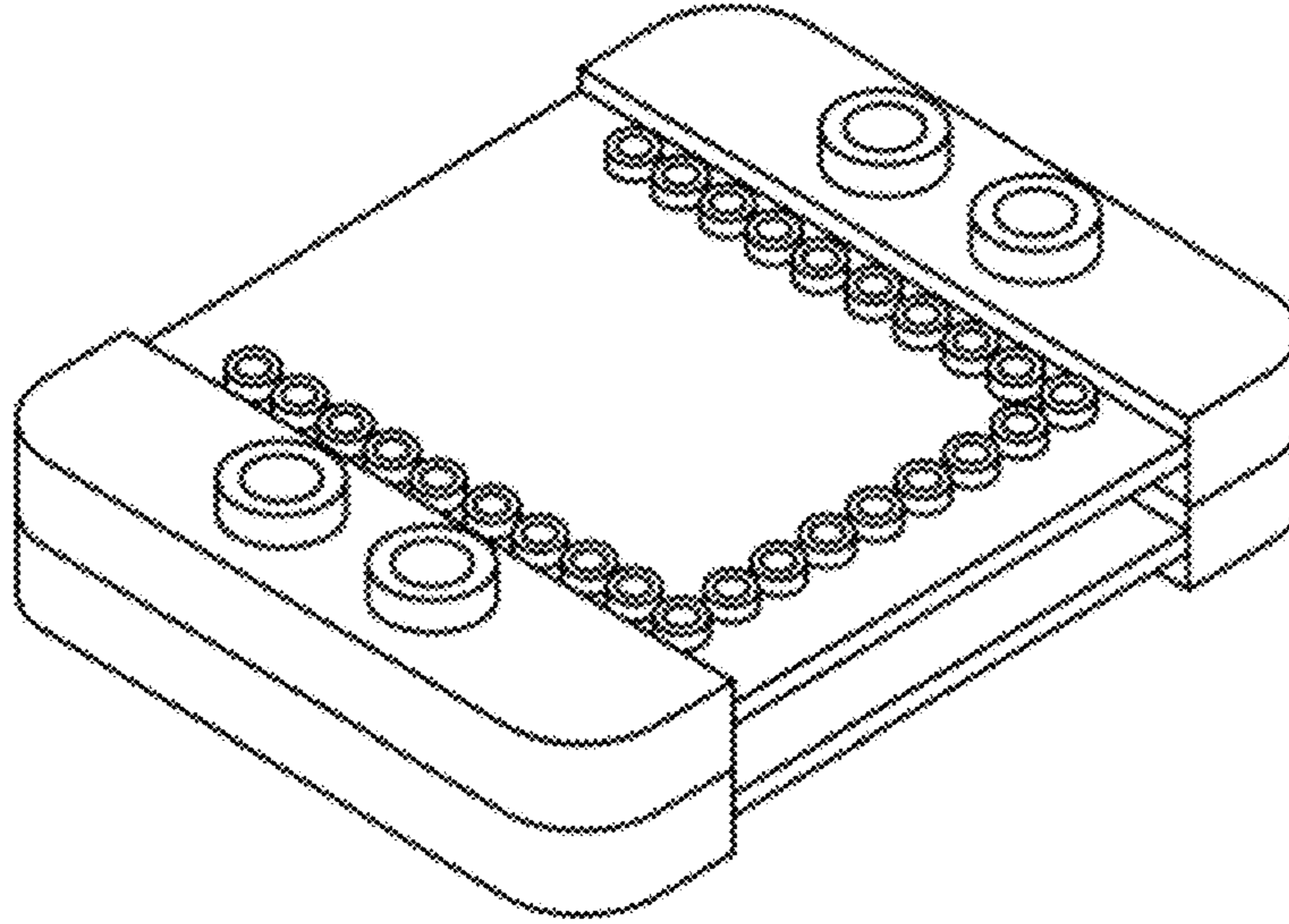


FIG. 1

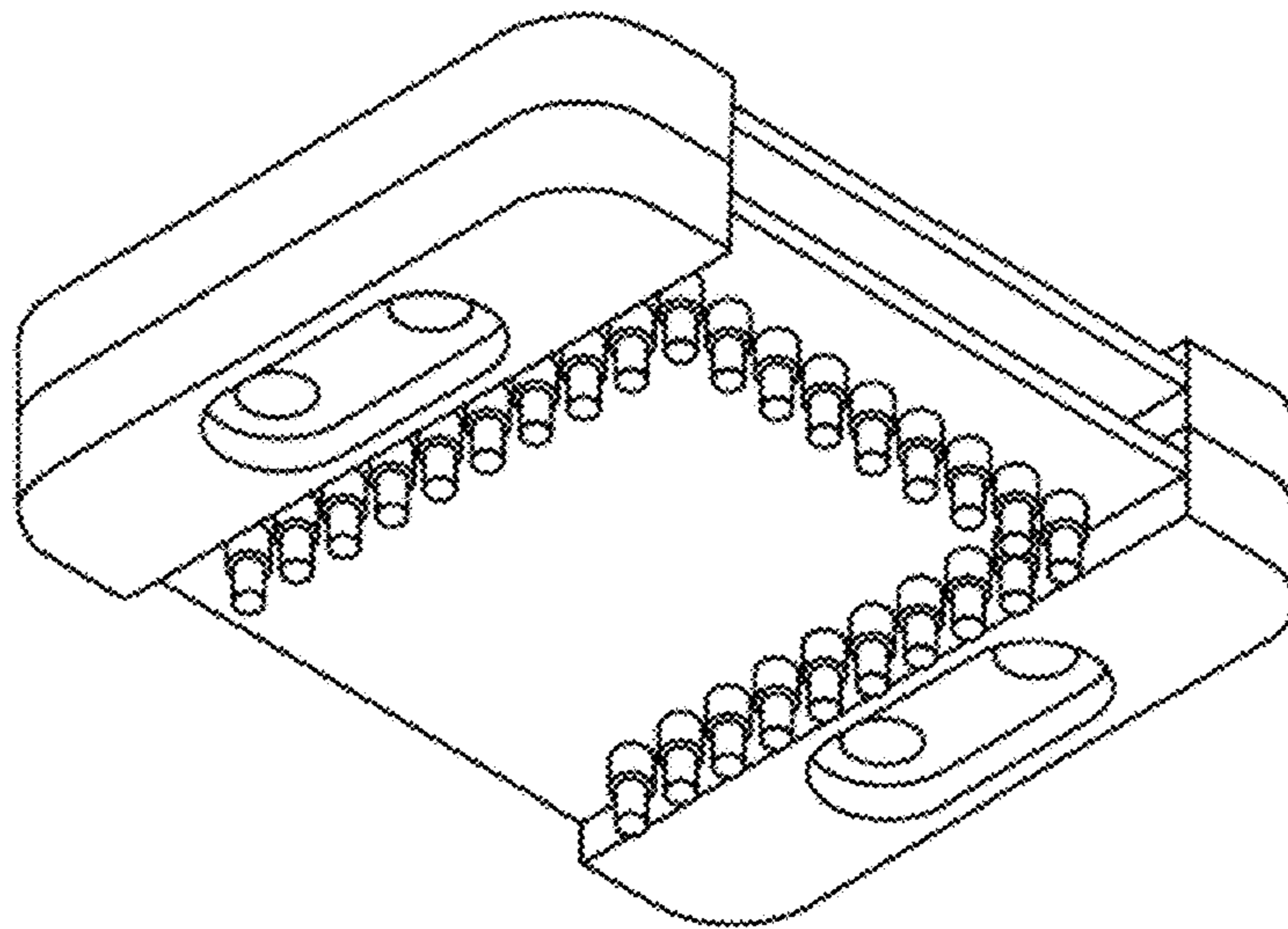


FIG. 2

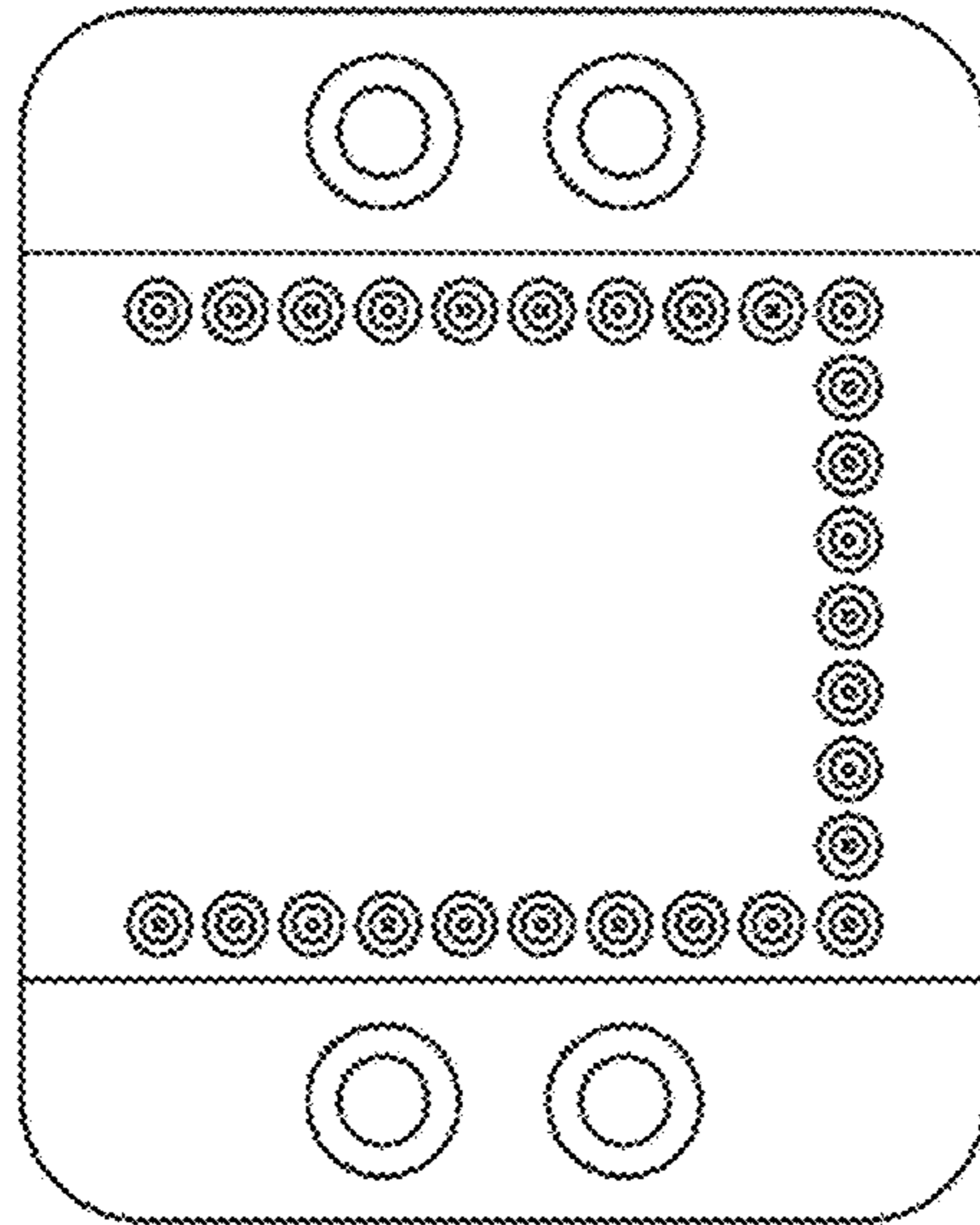


FIG. 3

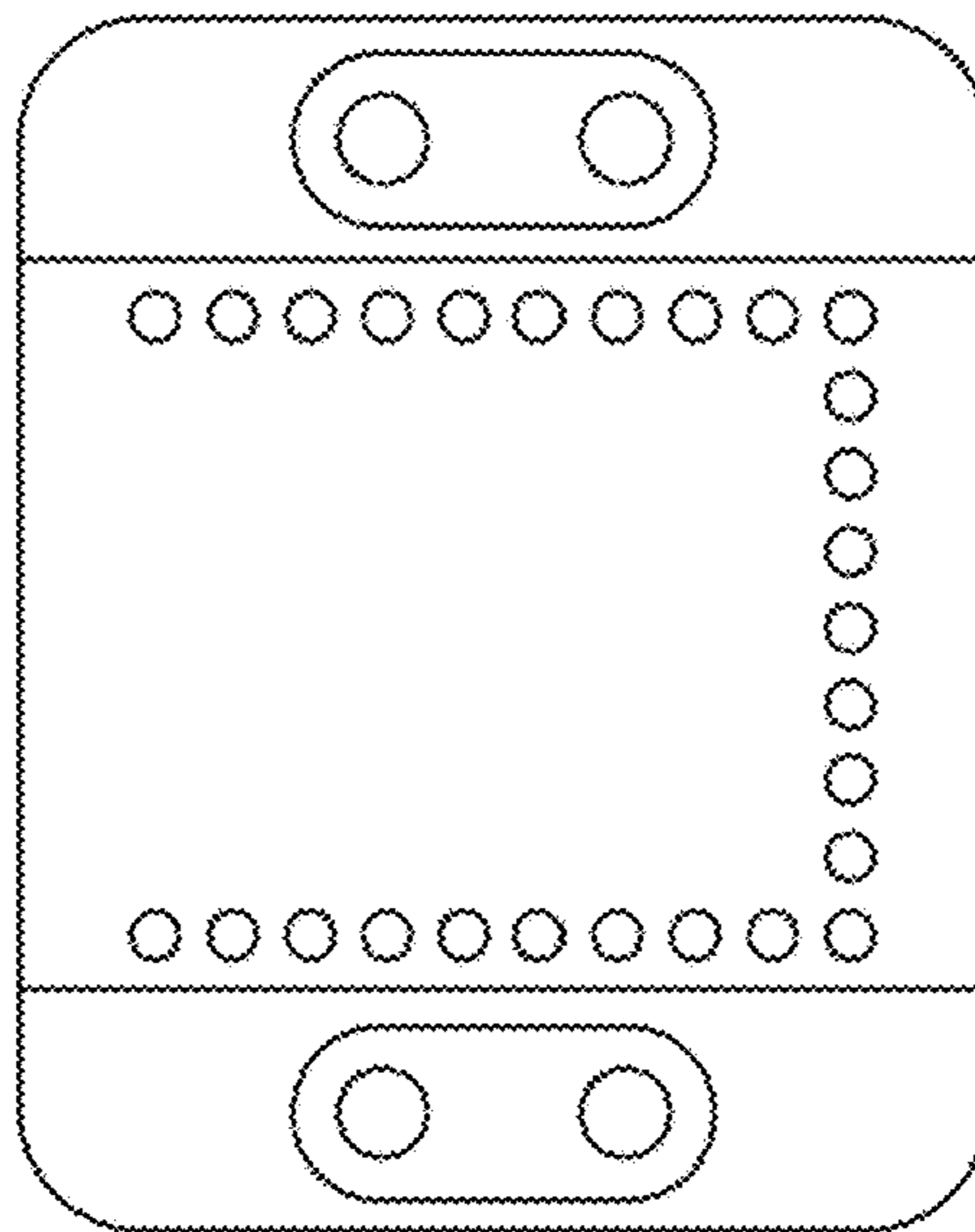


FIG. 4

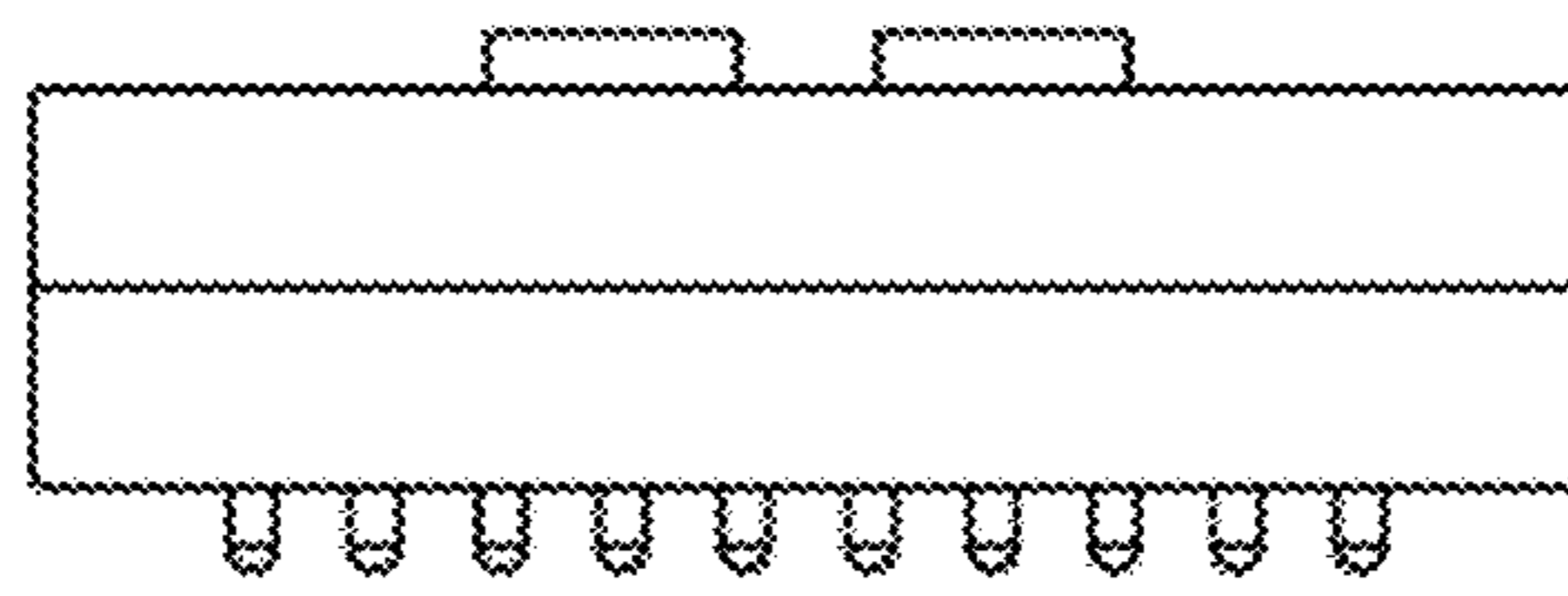


FIG. 5

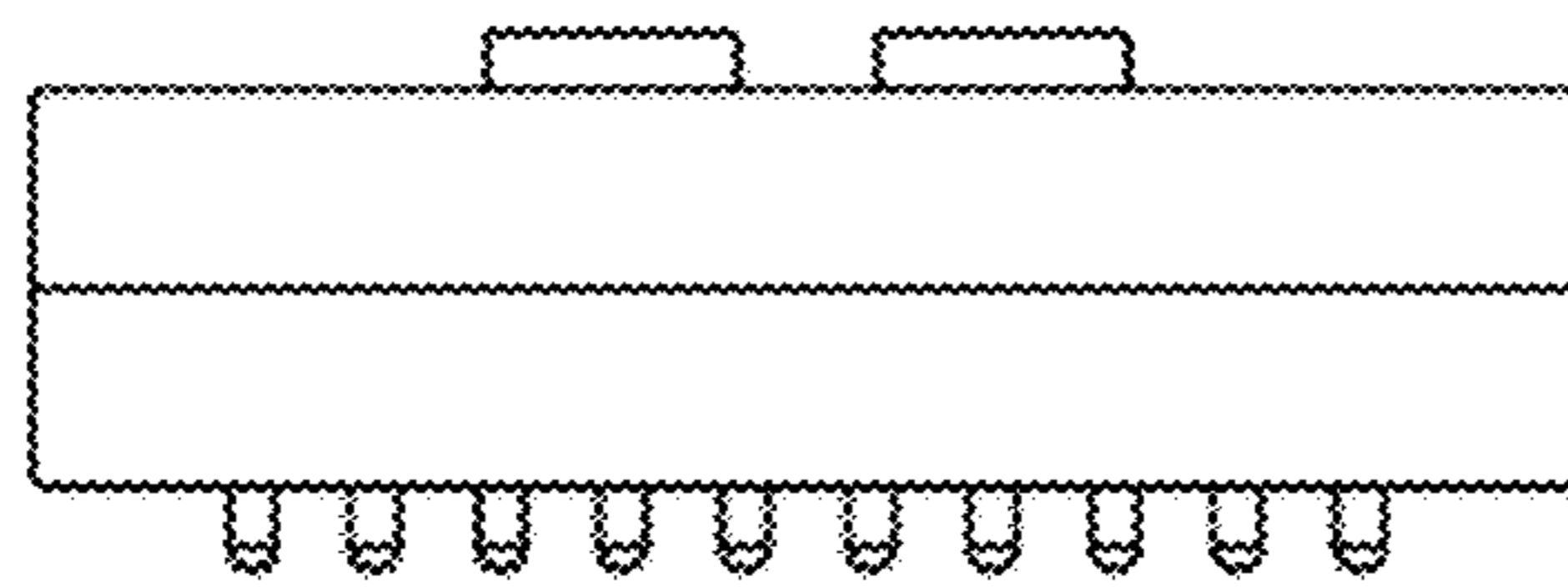


FIG. 6

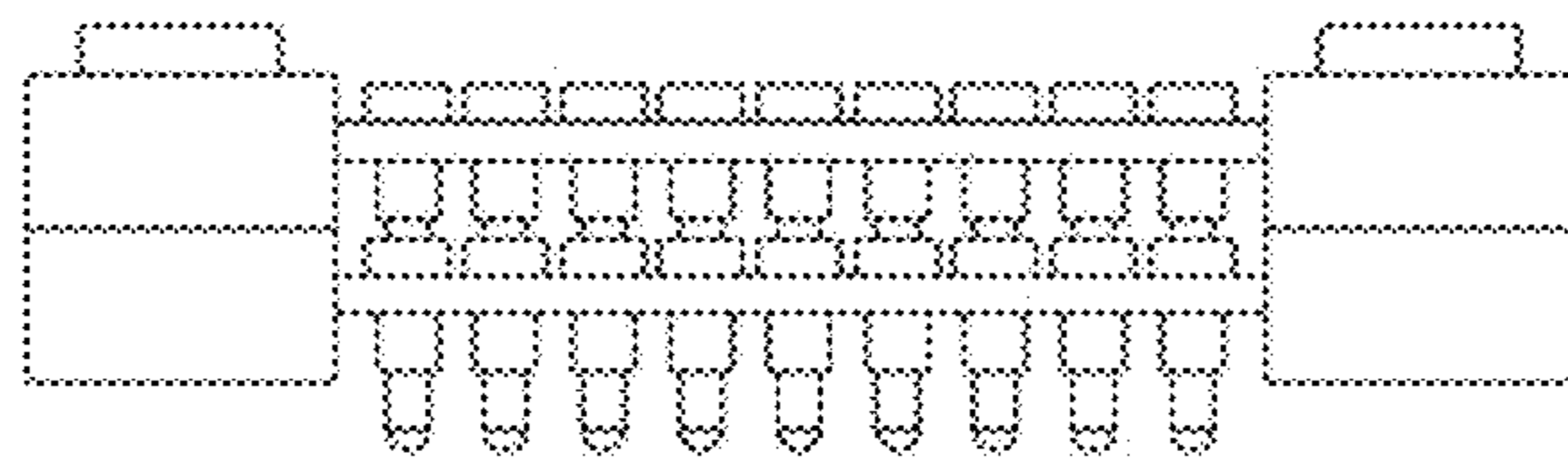


FIG. 7

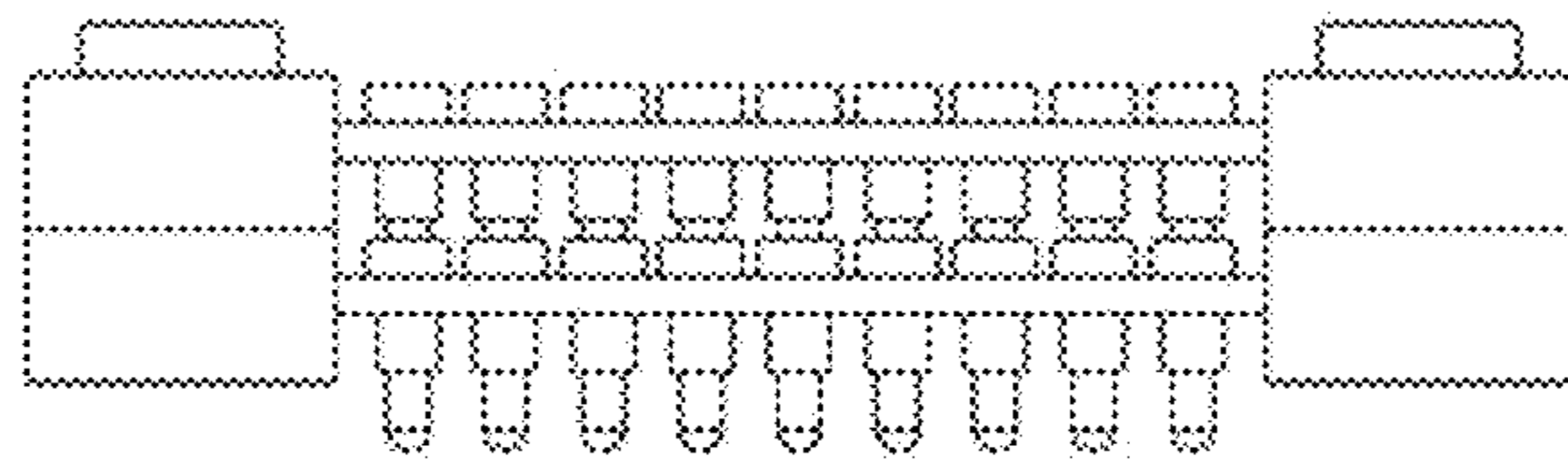


FIG. 8