



US00D838679S

(12) **United States Design Patent**
Seidl et al.

(10) **Patent No.:** **US D838,679 S**
(45) **Date of Patent:** **** *Jan. 22, 2019**

- (54) **SWITCH**
- (71) Applicant: **Raffel Systems, LLC**, Germantown, WI (US)
- (72) Inventors: **Kenneth G. Seidl**, Port Washington, WI (US); **Paul Li**, Milwaukee, WI (US); **Douglas A. Dorn**, Brookfield, WI (US)
- (73) Assignee: **Raffel Systems, LLC**, Germantown, WI (US)
- (*) Notice: This patent is subject to a terminal disclaimer.
- (**) Term: **15 Years**
- (21) Appl. No.: **29/627,503**
- (22) Filed: **Nov. 28, 2017**
- (51) **LOC (11) Cl.** **13-03**
- (52) **U.S. Cl.**
USPC **D13/171**
- (58) **Field of Classification Search**
USPC D13/162, 164, 171, 173, 174
CPC H01H 3/02; H01H 3/022; H01H 3/12; H01H 3/122; H01H 9/02; H01H 9/0235; H01H 13/023; H01H 13/04; H01H 13/06; H01H 13/063; H01H 13/10; H01H 13/12; H01H 13/14; H01H 13/36; H01H 13/70; H01H 13/86; H01H 21/24; H01H 25/065; A47C 1/0345; A47C 1/035; A47C 7/506
See application file for complete search history.

- 6,841,748 B2 1/2005 Serizawa et al.
- 7,087,847 B2 8/2006 Parkinson et al.
- D534,870 S 1/2007 Metschen et al.
- D571,308 S 6/2008 Gastelum et al.
- D607,852 S 1/2010 Riede
- D689,825 S 9/2013 Wenji et al.
- 8,766,115 B2 7/2014 Kristen
- 8,884,175 B2 11/2014 Botez et al.
- D720,305 S 12/2014 Wenji
- D733,078 S 6/2015 Wu
- D739,361 S 9/2015 Wenji
- D740,238 S 10/2015 Dorn et al.
- D740,763 S 10/2015 Wenji
- D748,590 S 2/2016 Dorn et al.
- D758,325 S 6/2016 Cook et al.
- D758,326 S 6/2016 Dorn et al.
- D758,975 S 6/2016 Hunter et al.
- D777,688 S 1/2017 Seidl et al.
- D782,987 S 4/2017 Gassner
- D786,805 S 5/2017 Anderson et al.

(Continued)

Primary Examiner — Selina Sikder

(74) *Attorney, Agent, or Firm* — Casimir Jones S.C.; Tyler J. Sisk

(56) **References Cited**

U.S. PATENT DOCUMENTS

- D305,018 S 12/1989 Pena et al.
- D305,019 S 12/1989 Pena et al.
- 5,362,932 A 11/1994 Inagaki et al.
- 6,800,819 B2 10/2004 Sato et al.

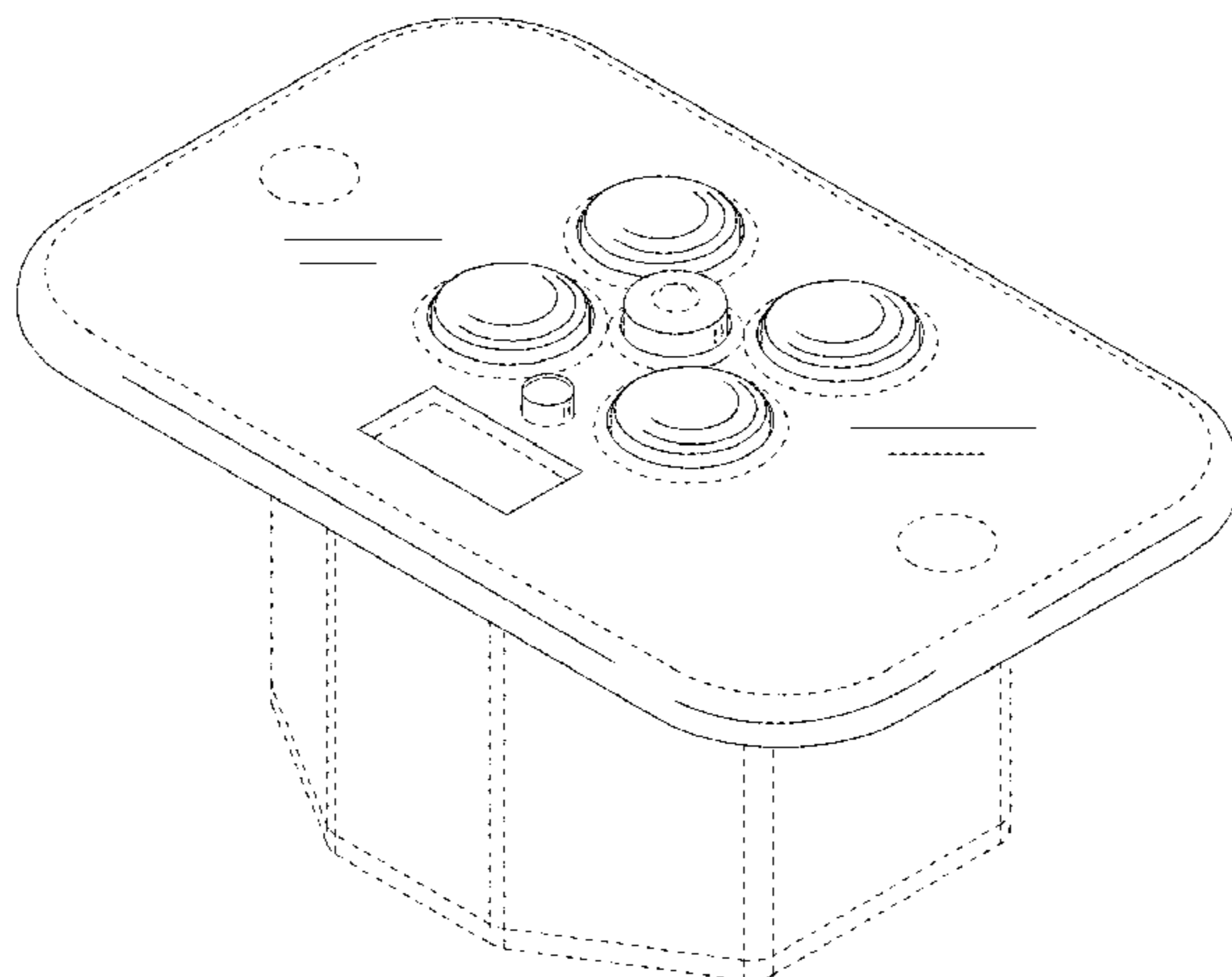
(57) **CLAIM**

The ornamental design for a switch, as shown and described.

DESCRIPTION

FIG. 1 is a three-quarter perspective view showing our new design of a switch;
 FIG. 2 is a front elevational view thereof;
 FIG. 3 is a rear elevational thereof;
 FIG. 4 is a left side elevational view thereof;
 FIG. 5 is a right side elevational view thereof;
 FIG. 6 is a top plan view thereof; and,
 FIG. 7 is a bottom plan view thereof.
 The broken lines shown in FIGS. 1 through 7 are for the purpose of illustrating environment, and form no part of the claimed design.

1 Claim, 7 Drawing Sheets



(56)

References Cited

U.S. PATENT DOCUMENTS

9,640,343	B2	5/2017	Koch	
D788,719	S	6/2017	Li et al.	
9,804,632	B2	10/2017	Gassner	
D817,898	S	5/2018	Seidl et al.	
D821,986	S	* 7/2018	Seidl	D13/171
2011/0198894	A1	8/2011	Hsieh et al.	
2014/0353134	A1	12/2014	Muller	

* cited by examiner

FIG. 1

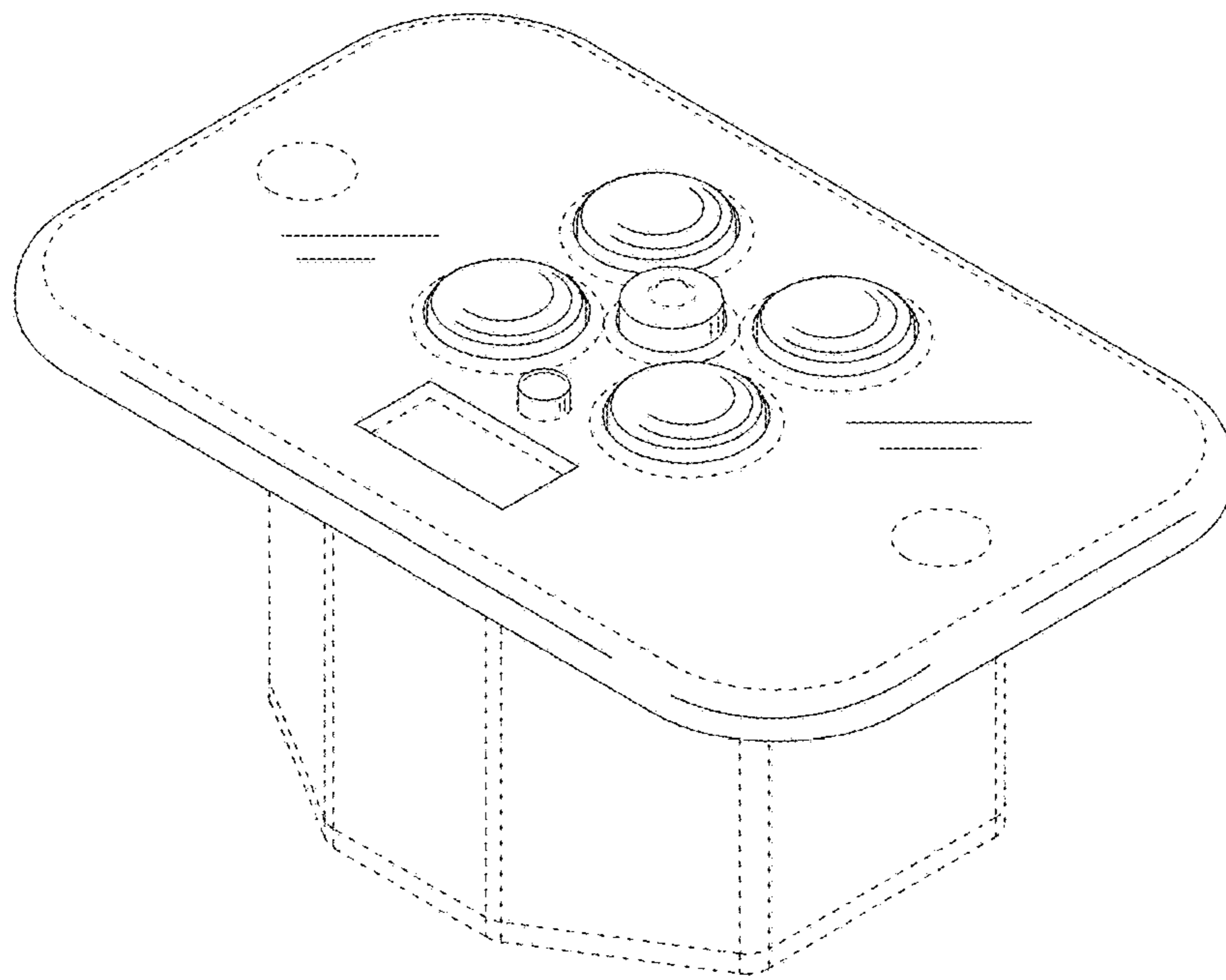


FIG. 2

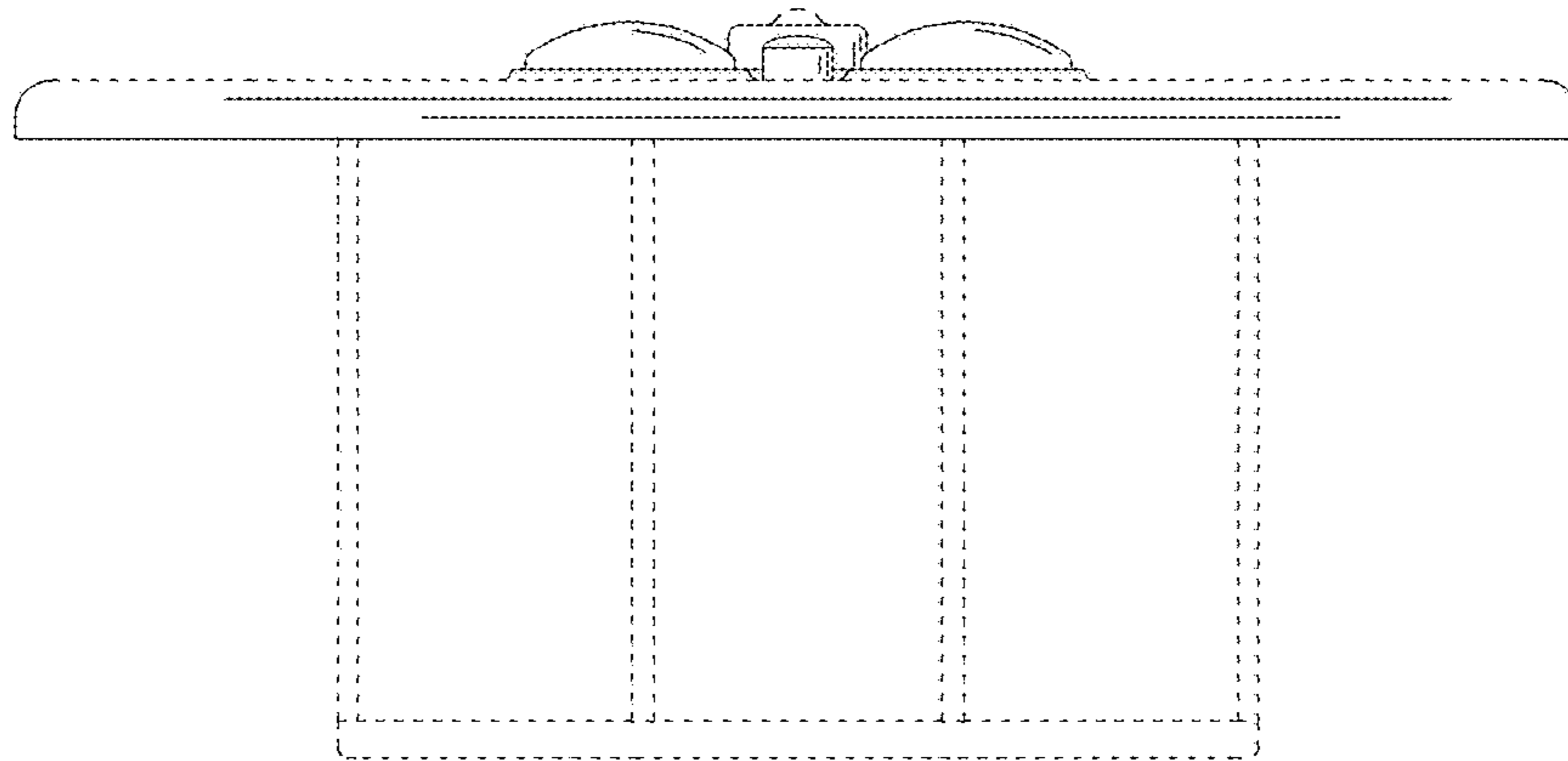


FIG. 3

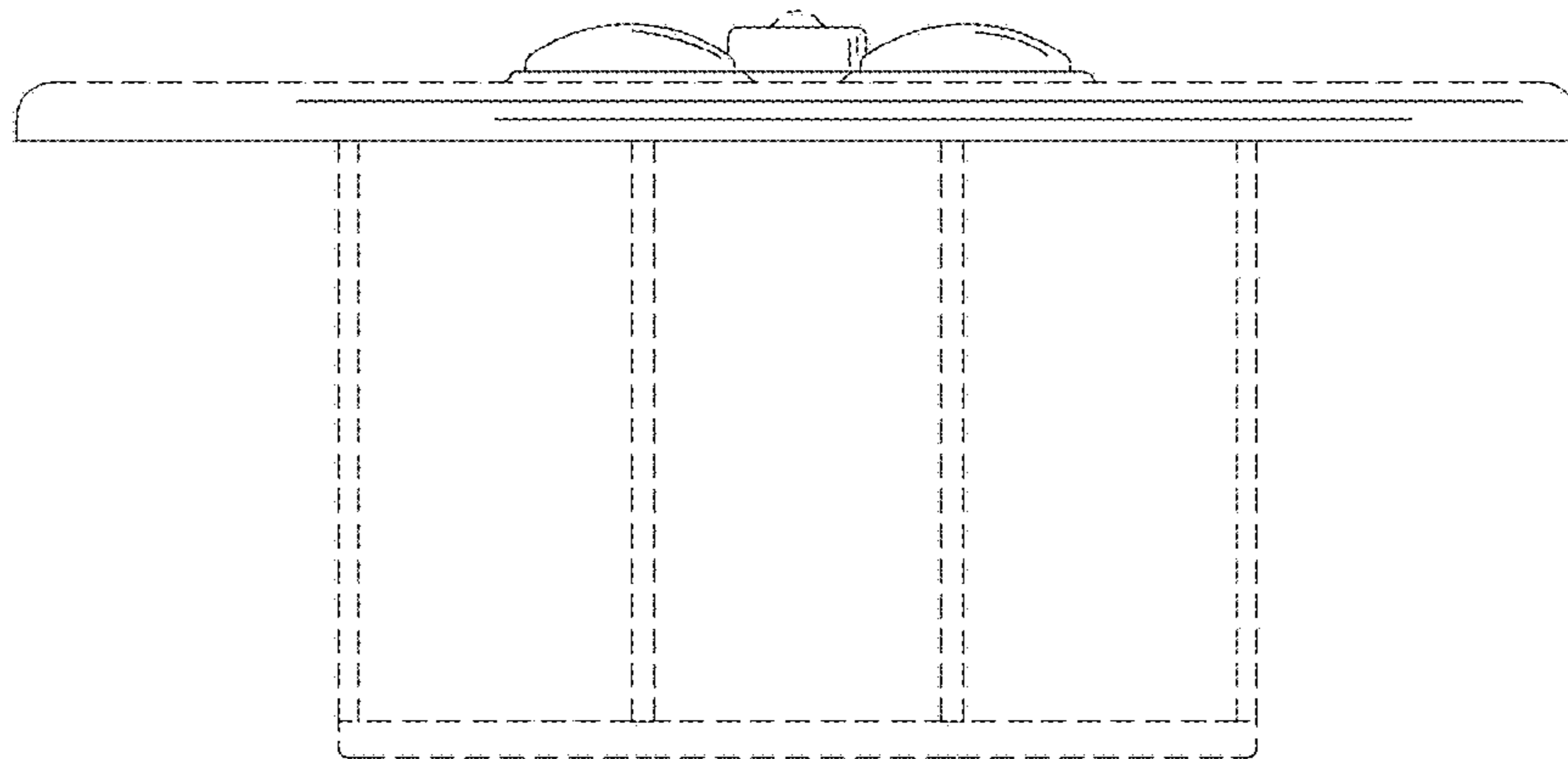


FIG. 4

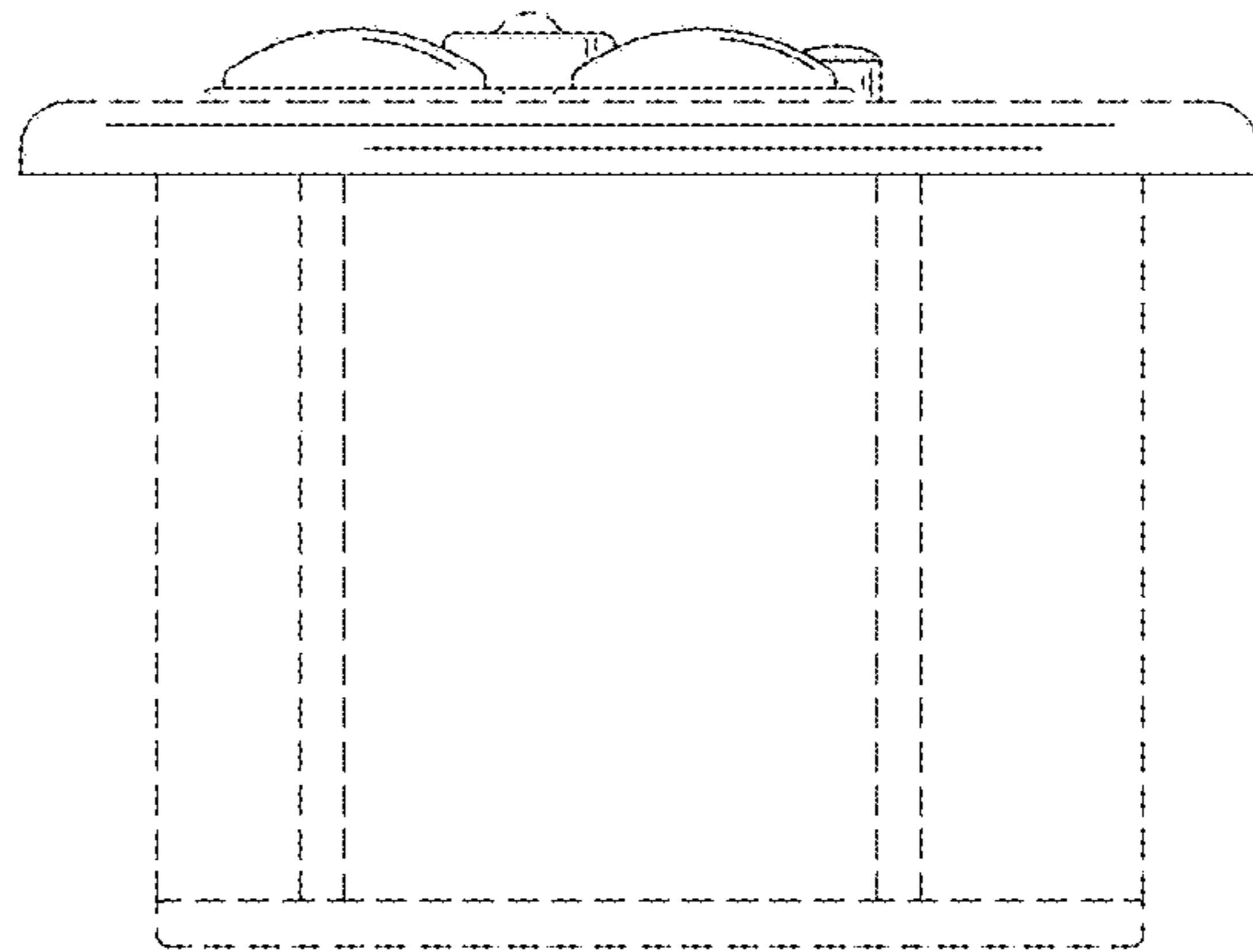


FIG. 5

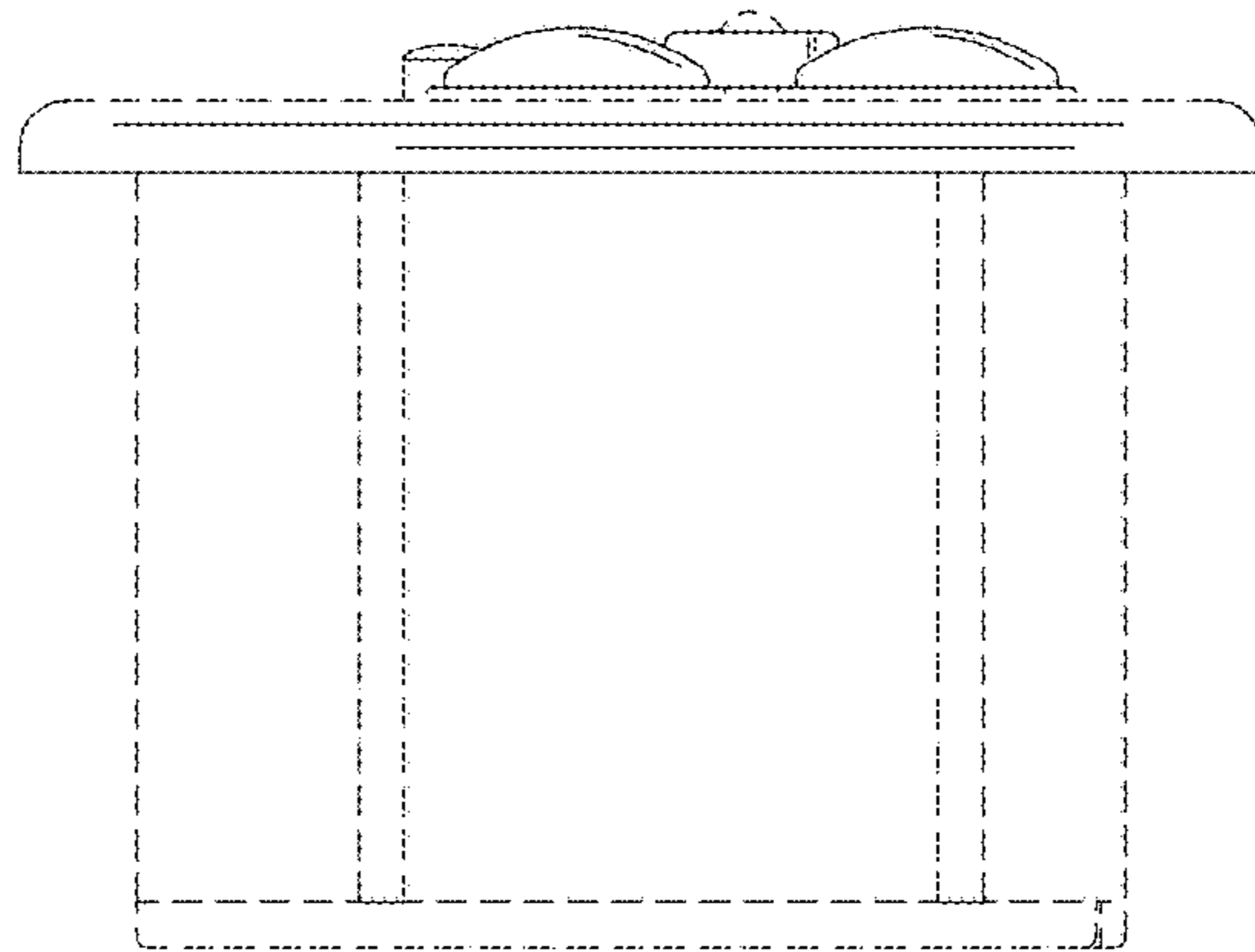


FIG. 6

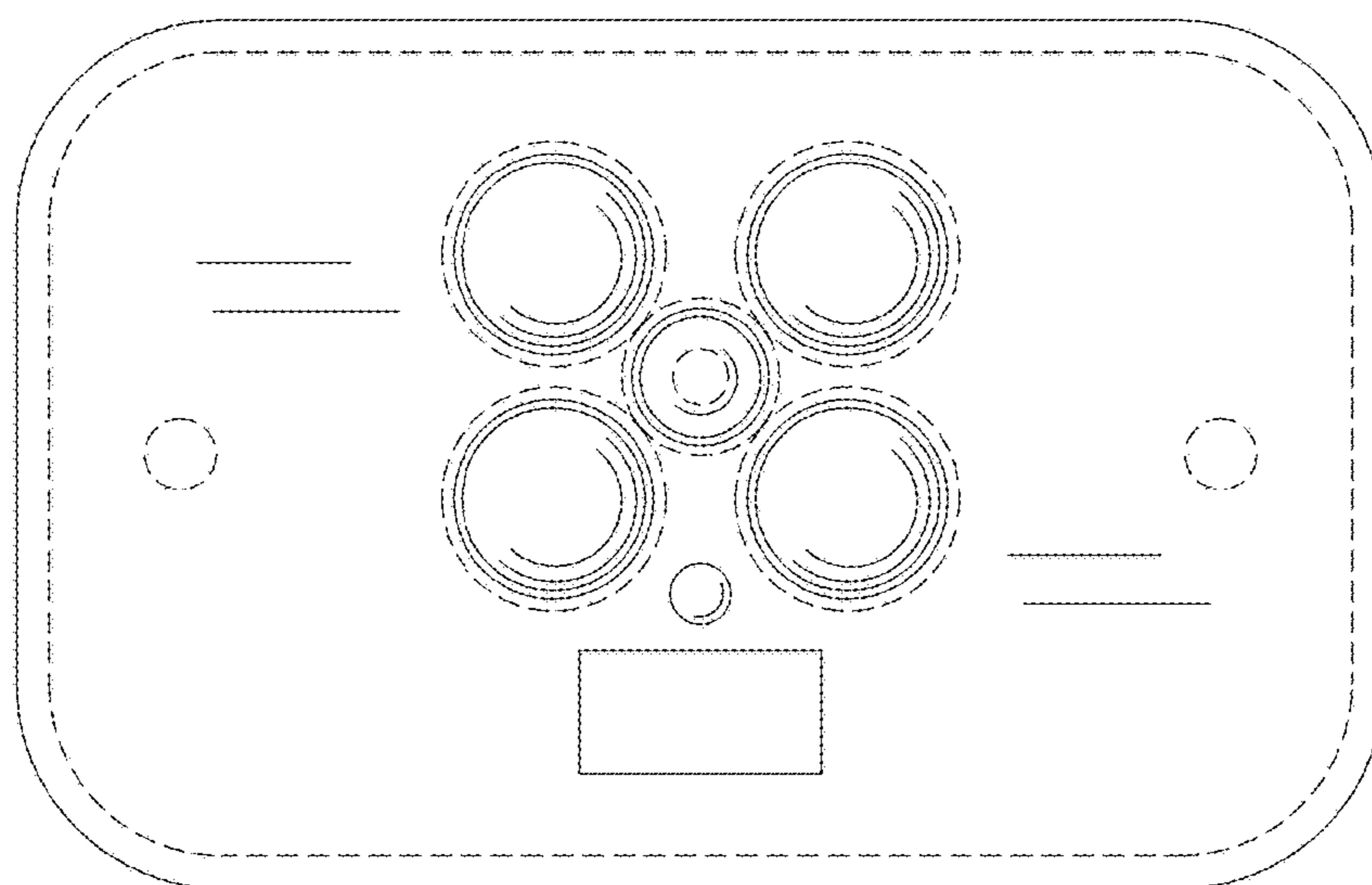


FIG. 7

