



US00D838677S

(12) **United States Design Patent**
Vogtner et al.

(10) **Patent No.:** **US D838,677 S**

(45) **Date of Patent:** **** Jan. 22, 2019**

(54) **CONTROLLER**

(71) Applicant: **Custom Molded Products, LLC**,
Newnan, GA (US)

(72) Inventors: **Zachary T. Vogtner**, Fayetteville, GA
(US); **Victor L. Walker**, Temecula, CA
(US)

(73) Assignee: **Custom Molded Products, LLC**,
Newnan, GA (US)

(**) Term: **15 Years**

(21) Appl. No.: **29/623,937**

(22) Filed: **Oct. 27, 2017**

(51) **LOC (11) Cl.** **13-03**

(52) **U.S. Cl.**
USPC **D13/162**

(58) **Field of Classification Search**
USPC D13/162, 169, 171; D8/300, 307, 310,
D8/312
CPC .. H01H 3/02; H01H 3/08; H01H 3/12; H01H
3/16; H01H 13/04; H01H 13/14; H01H
13/50; H01H 19/04; H01H 19/14; H01H
25/065; H05K 5/0017; H05K 5/0026;
G05G 1/08; G05G 1/10; G06F 3/0362;
H02G 3/14

See application file for complete search history.

(56) **References Cited**

U.S. PATENT DOCUMENTS

D356,567 S * 3/1995 Jones D13/162
D479,205 S * 9/2003 Krajci D13/171
D527,713 S * 9/2006 Indio da Costa D13/171

D541,225 S * 4/2007 Katsuyama D13/168
D561,118 S * 2/2008 Ni D13/171
D563,908 S * 3/2008 Kohler, Jr. D13/162
D591,182 S * 4/2009 Schoenherr D10/49
D615,500 S * 5/2010 Muirhead D13/162
9,167,660 B2 * 10/2015 Birch H05B 37/00
D765,611 S * 9/2016 Kaliauer D13/177
D807,308 S * 1/2018 Johnson D13/174
2008/0023313 A1 * 1/2008 Sack B60K 37/06
200/400
2014/0238831 A1 * 8/2014 Kagaya H01H 19/03
200/336
2015/0150646 A1 * 6/2015 Pryor G06F 3/0362
345/174

* cited by examiner

Primary Examiner — Selina Sikder

(74) *Attorney, Agent, or Firm* — Laurence P. Colton;
Smith Tempel Blaha LLC

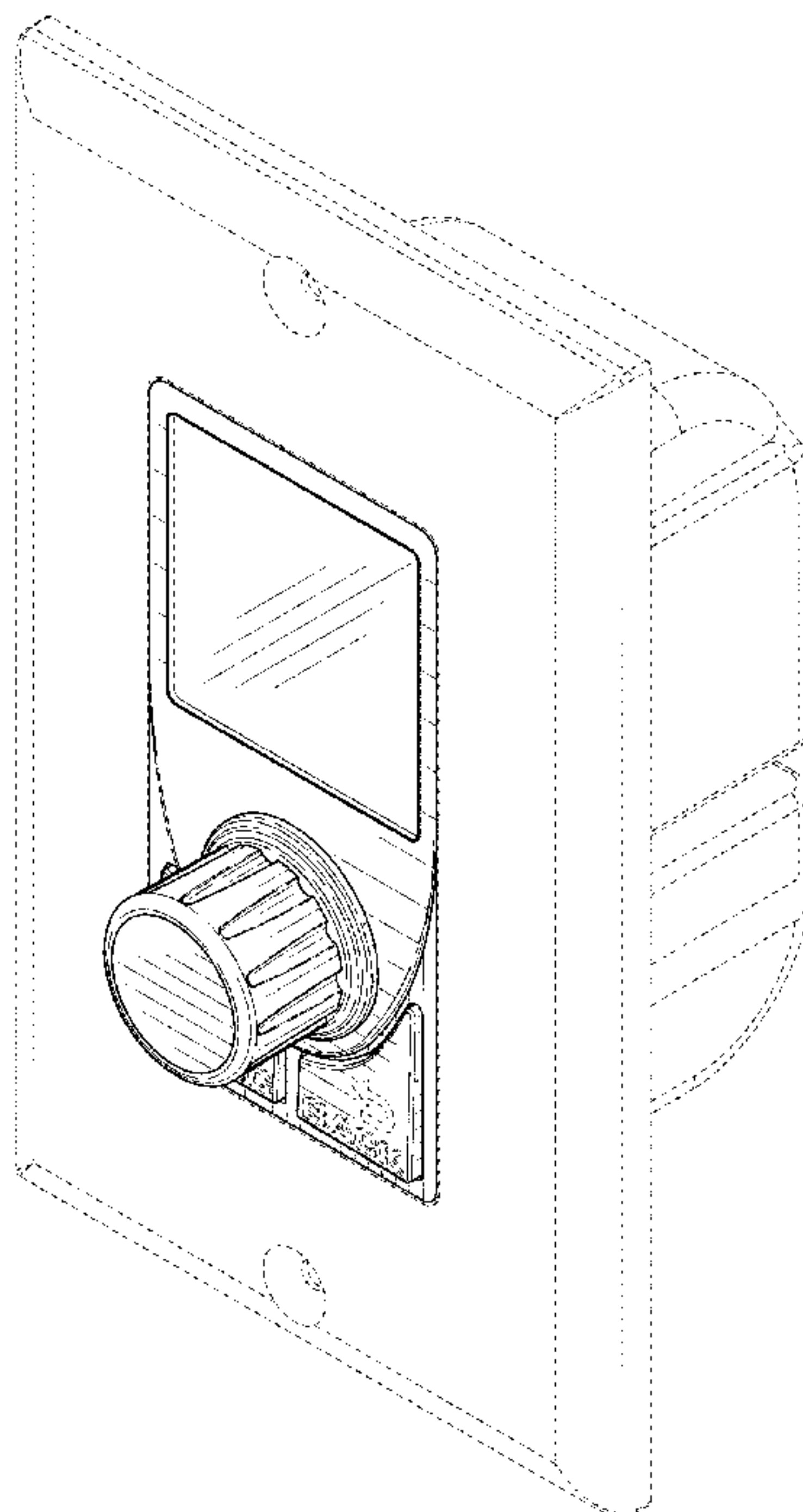
(57) **CLAIM**

The ornamental design for a controller, as shown and described.

DESCRIPTION

FIG. 1 is a perspective view of a controller showing our new design.
FIG. 2 is a front view thereof.
FIG. 3 is a back view thereof.
FIG. 4 is a right side view thereof.
FIG. 5 is a left side view thereof.
FIG. 6 is a top view thereof; and,
FIG. 7 is a bottom view thereof.
The broken lines shown represent unclaimed subject matter and form no part of the claimed design.

1 Claim, 6 Drawing Sheets



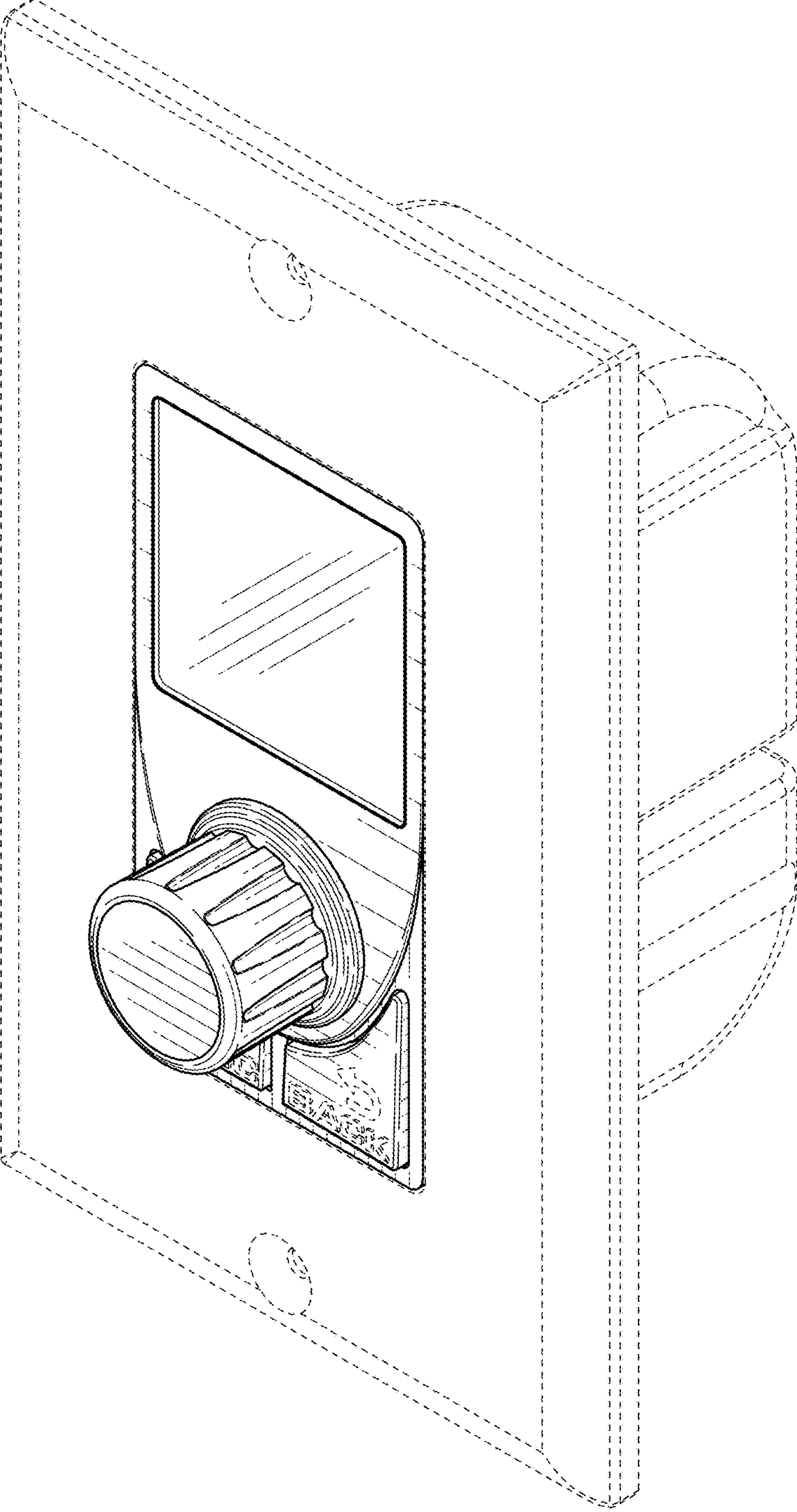


FIG. 1

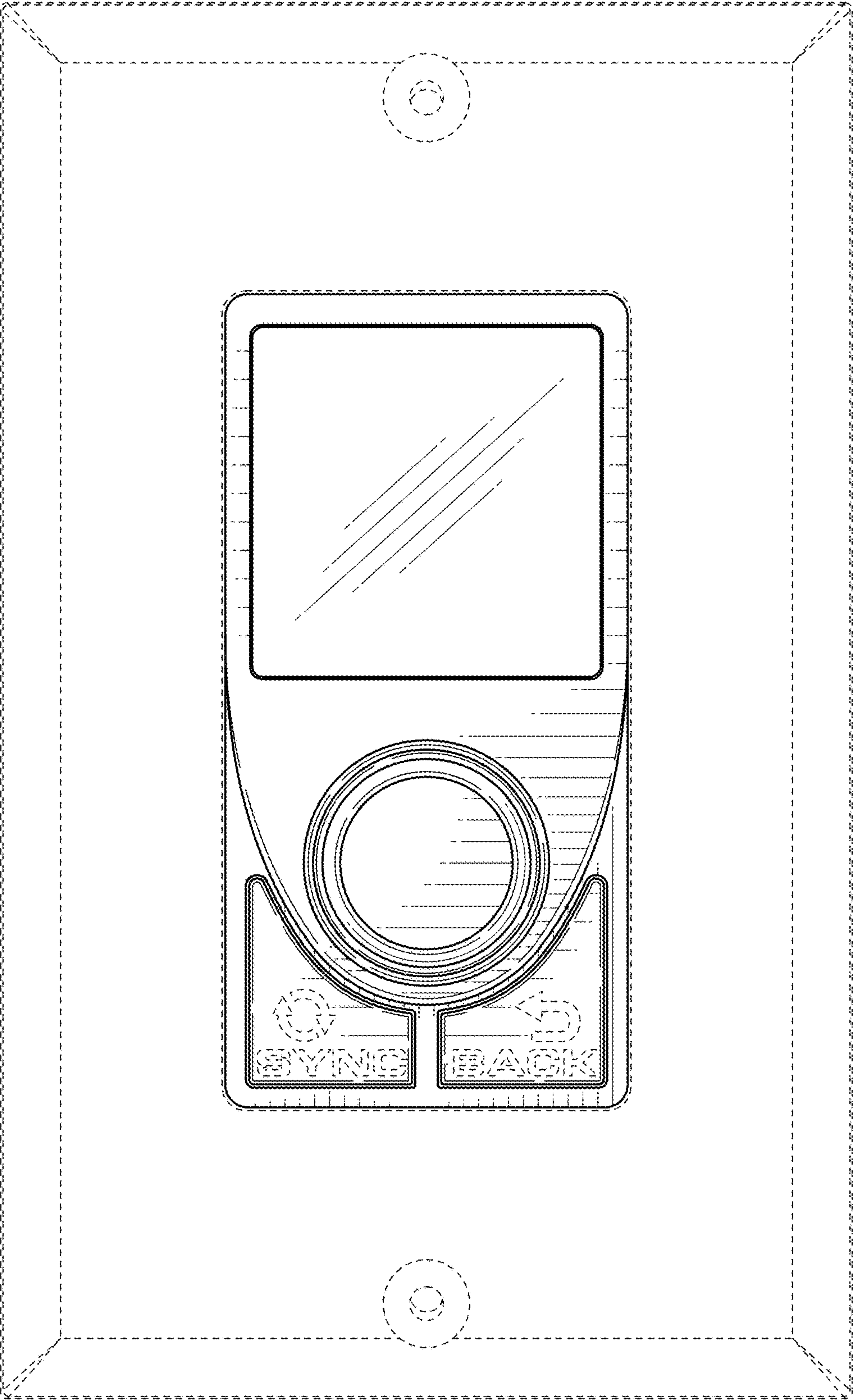


FIG. 2

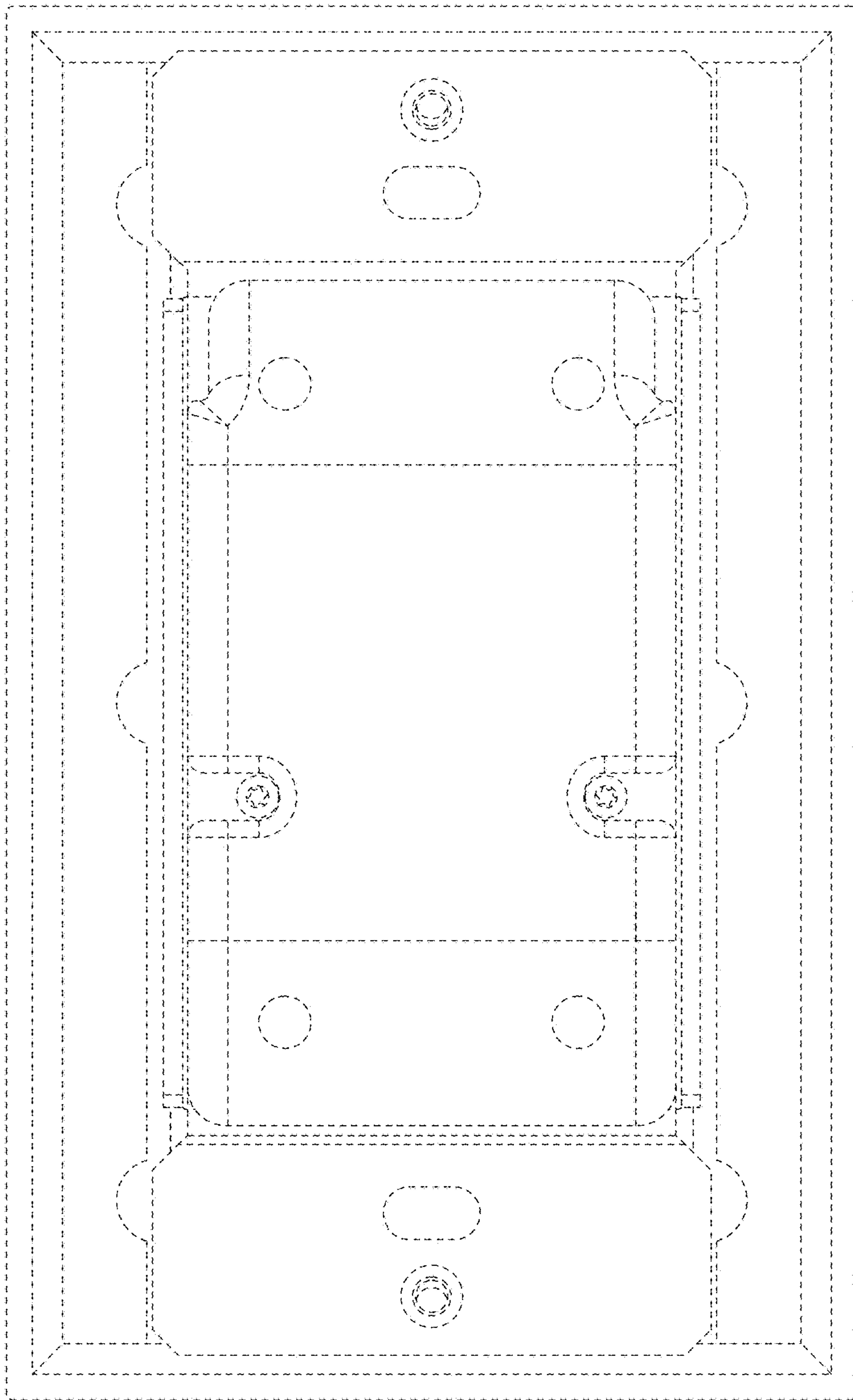


FIG. 3

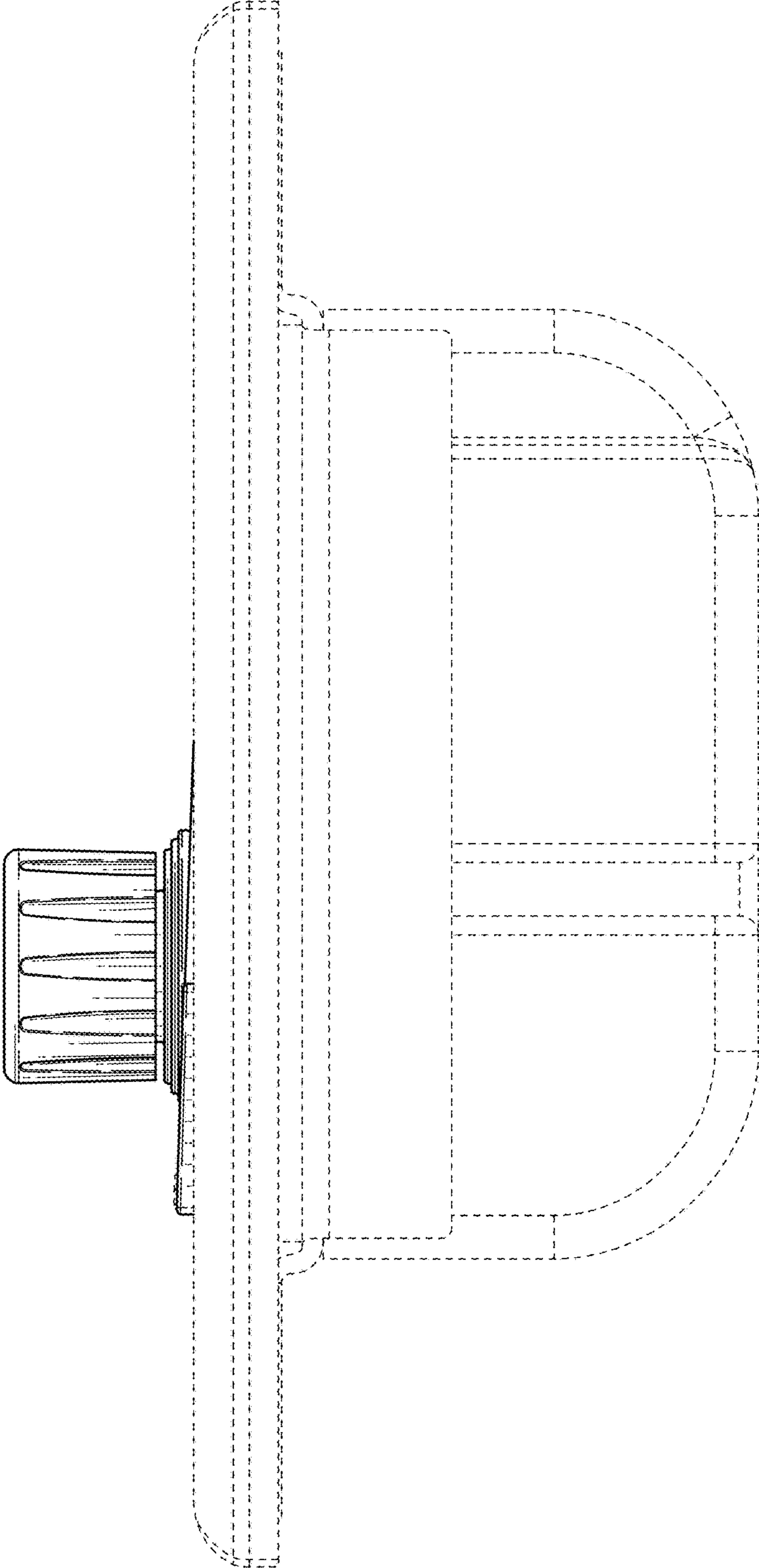


FIG. 4

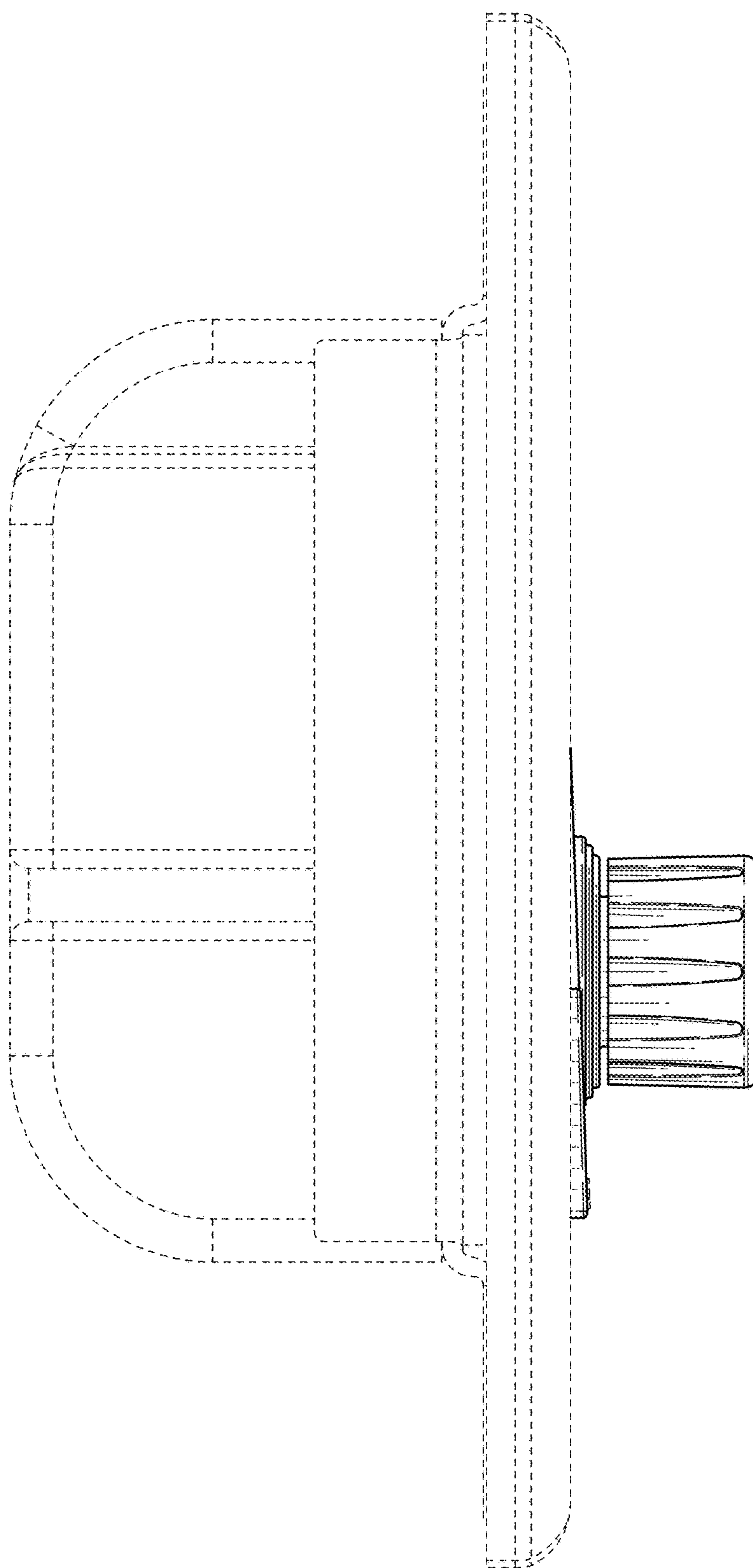


FIG. 5

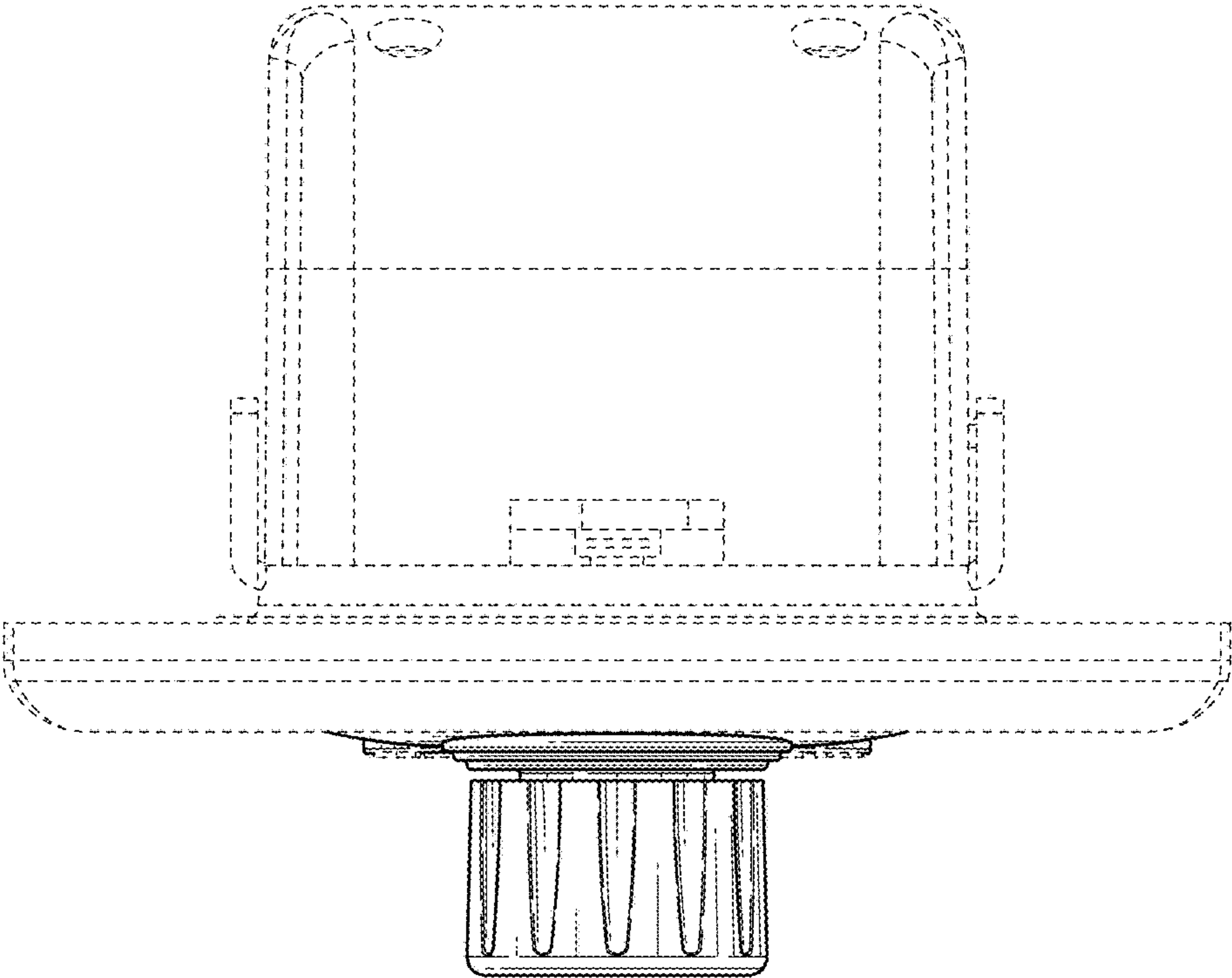


FIG. 6

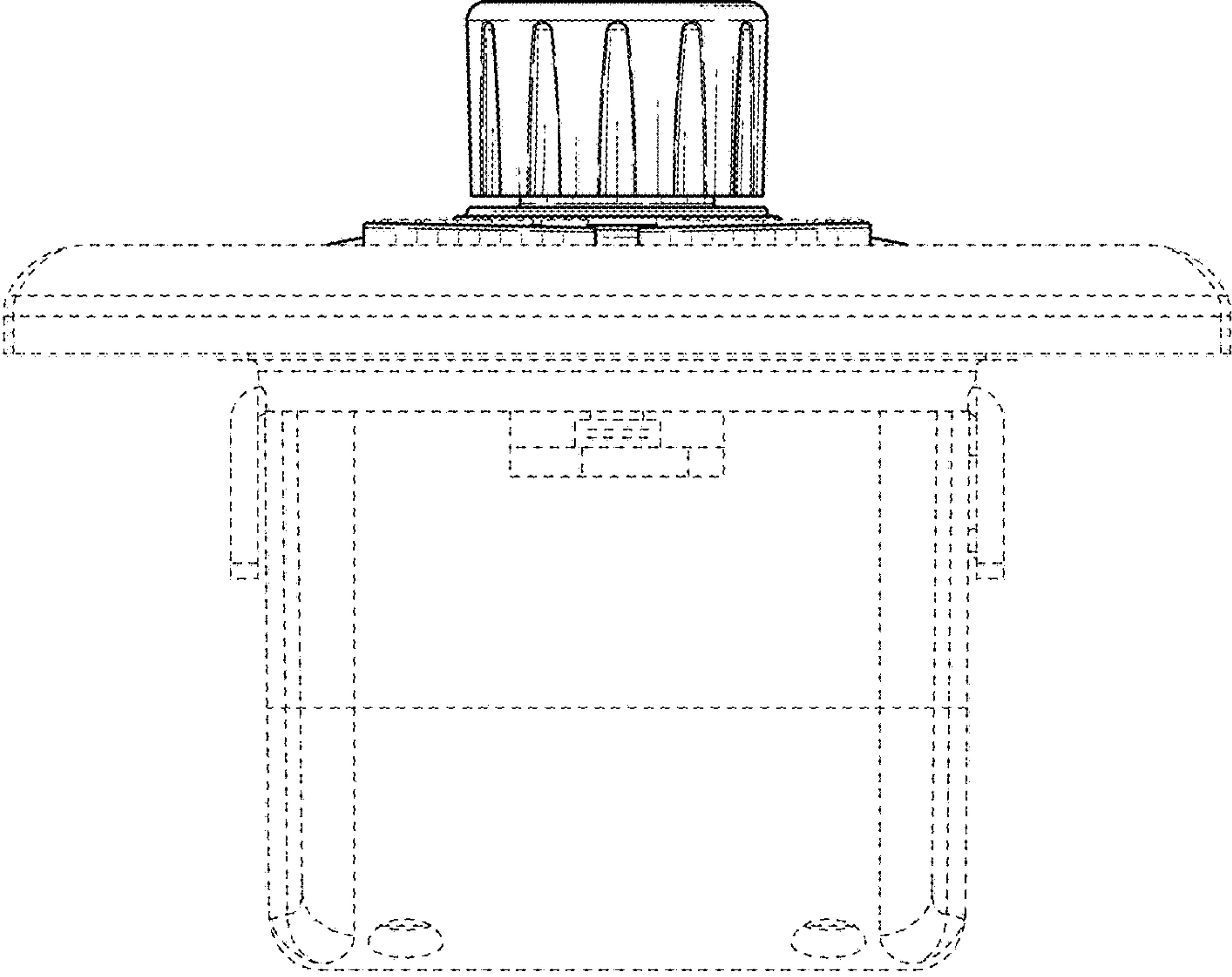


FIG. 7