



US00D838676S

(12) **United States Design Patent**
Smith

(10) **Patent No.:** **US D838,676 S**
(45) **Date of Patent:** **** Jan. 22, 2019**

(54) **SLIP ELECTRICAL CONDUIT COUPLER BODY**

(71) Applicant: **Bridgeport Fittings, Inc.**, Stratford, CT (US)

(72) Inventor: **Lawrence J. Smith**, Stamford, CT (US)

(73) Assignee: **Bridgeport Fittings, Inc.**, Stratford, CT (US)

(**) Term: **15 Years**

(21) Appl. No.: **29/631,434**

(22) Filed: **Dec. 29, 2017**

(51) **LOC (11) Cl.** **13-03**

(52) **U.S. Cl.**
USPC **D13/155**

(58) **Field of Classification Search**
USPC D13/118, 123, 133, 148–151, 153–156, D13/173, 184, 199; D8/330, 339, 382, D8/383, 387, 396; D23/259, 262
CPC F16L 11/118; F16L 21/00; F16L 21/02; F16L 21/08; F16L 33/207; F16L 33/092; F16L 37/00; F16L 37/088; F16L 37/14; F16L 37/144; F16L 39/00; H01R 4/00; H01R 4/48; H01R 4/66; H01R 9/24; H01R 13/00; H01R 13/52; H01R 13/648; H02G 3/00; H02G 3/06; H02G 3/08; H02G 3/18

See application file for complete search history.

(56) **References Cited**

U.S. PATENT DOCUMENTS

D20,236 S * 10/1890 Kelley D23/262
1,824,642 A * 9/1931 Uber F16L 19/075
285/341
2,455,180 A * 11/1948 Kennedy F16L 25/08
285/140.1
3,093,703 A * 6/1963 Zavertnik F16L 25/01
174/86
D201,183 S * 5/1965 Sanders 439/814
3,585,963 A 6/1971 Hiszpanski

(Continued)

FOREIGN PATENT DOCUMENTS

DE 202007010452 U1 9/2007
DE 202013101069 U1 6/2014

(Continued)

OTHER PUBLICATIONS

Bridgeport Fittings' Mighty-Align® EMT Slip Coupling, dated Jul. 17, 2017, [online], [site visited Aug. 14, 2018]. Available from Internet, <URL: <https://www.prlog.org/12652655-bridgeport-fittings-mighty-align-emt-slip-coupling-allows-emt-conduit-to-be-joined-in-seconds.html>> (Year: 2017).*

(Continued)

Primary Examiner — Angela J Lee

Assistant Examiner — Shawn T Gingrich

(74) *Attorney, Agent, or Firm* — Ware, Fressola, Maguire & Barber LLP

(57) **CLAIM**

The ornamental design for a slip electrical conduit coupler body, as shown and described.

DESCRIPTION

FIG. 1 is a front perspective view of the slip electrical conduit coupler body showing my new design.

FIG. 2 is a top view of the thereof.

FIG. 3 is a right side view thereof, the left side view being a mirror image thereof.

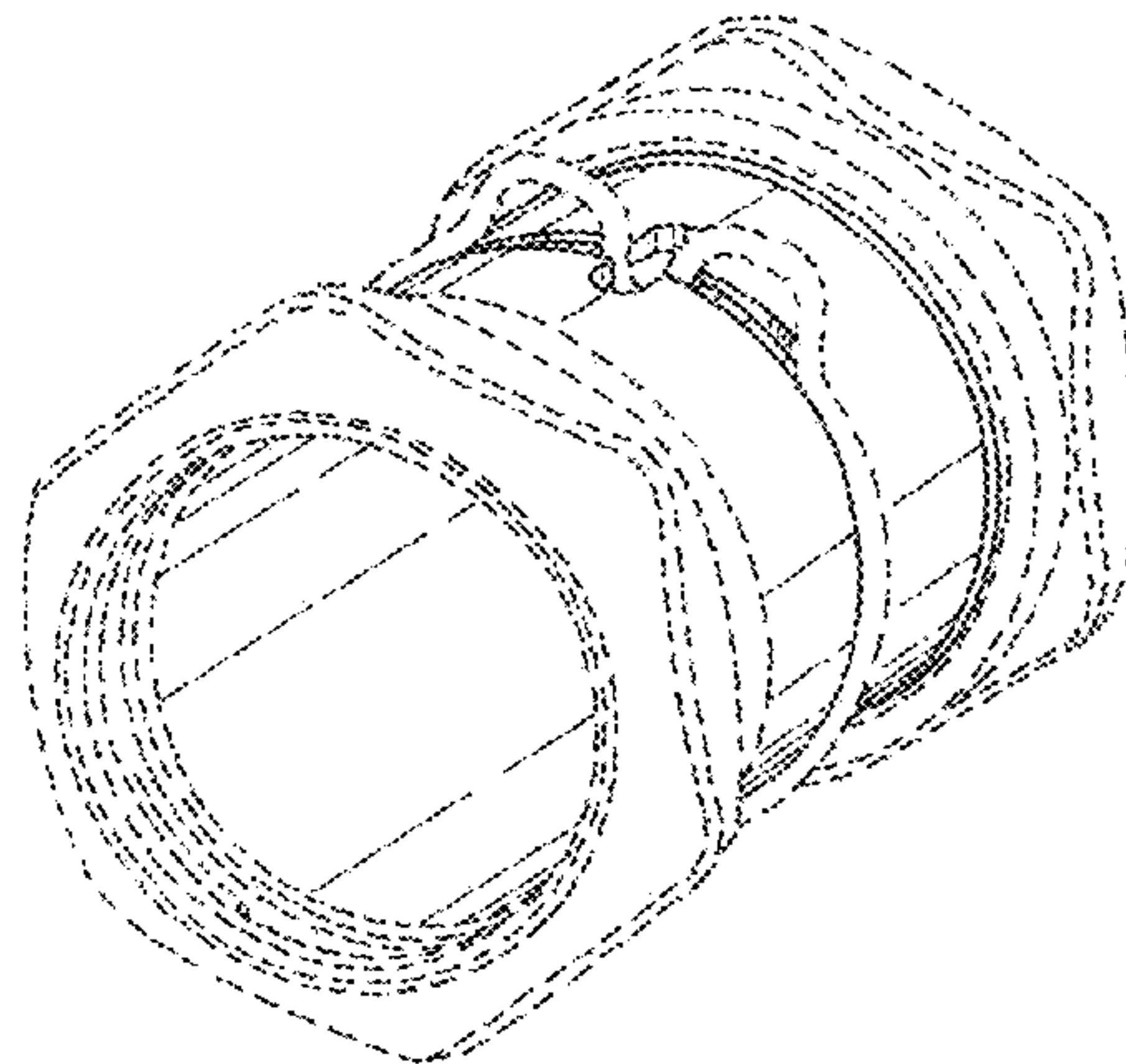
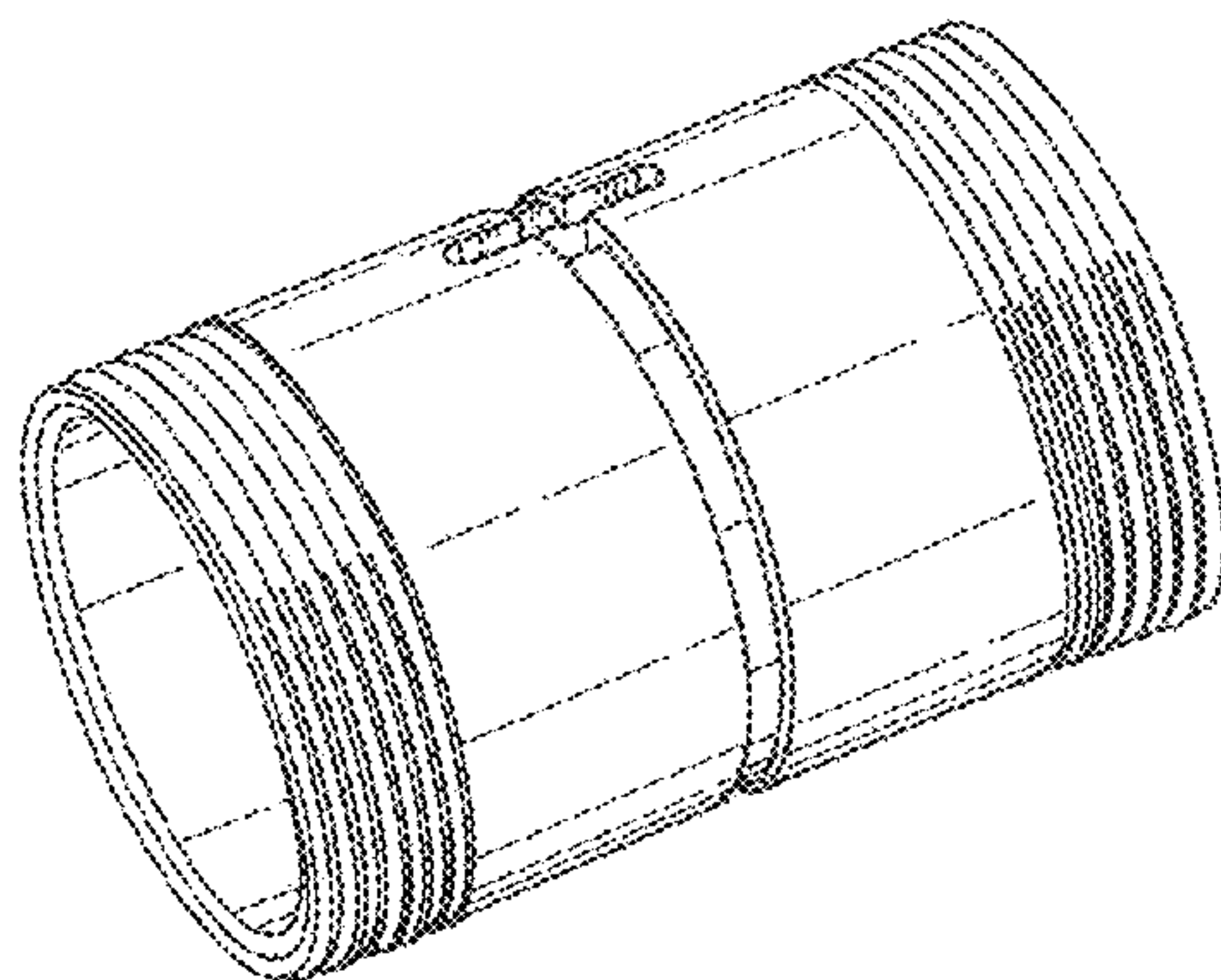
FIG. 4 is a bottom view thereof.

FIG. 5 is a front view thereof, the rear view being the same as the front view; and,

FIG. 6 is a front perspective view thereof in environmental use.

The broken lines in the drawings illustrate environment that form no part of the claimed design.

1 Claim, 3 Drawing Sheets



(56)

References Cited

U.S. PATENT DOCUMENTS

3,703,303 A 11/1972 Eidelberg
 5,165,735 A 11/1992 Nardi et al.
 D339,792 S * 9/1993 Nardi D13/149
 D339,793 S 9/1993 Nardi et al.
 5,704,400 A * 1/1998 Eldridge F16L 5/12
 138/96 T
 5,799,984 A 9/1998 Reynolds, Jr.
 D418,210 S * 12/1999 Roesch D23/262
 6,034,326 A 3/2000 Jorgensen
 6,262,369 B1 7/2001 Marik et al.
 6,328,344 B1 12/2001 Tozaki et al.
 6,722,703 B2 4/2004 Takayanagi
 D531,019 S 10/2006 Plumer
 7,201,403 B2 4/2007 Takayanagi et al.
 7,338,092 B1 3/2008 Cicconi, III
 7,387,318 B2 6/2008 Yoshida
 7,438,328 B2 10/2008 Mori et al.
 7,614,665 B2 11/2009 Hartmann
 8,113,547 B2 2/2012 Andre
 D668,618 S * 10/2012 Smith D13/149
 D681,159 S 4/2013 Ben-Horin et al.
 D690,192 S 9/2013 Takakuwa et al.
 D702,542 S * 4/2014 Smith H02G 3/06
 D8/396
 8,782,872 B2 7/2014 Lin et al.
 D745,382 S 12/2015 Faria et al.
 D749,047 S * 2/2016 Smith D13/149
 D754,303 S * 4/2016 Smith D23/259
 D770,615 S * 11/2016 Chauvette D24/129
 D771,569 S * 11/2016 Smith D13/151
 D774,628 S * 12/2016 Provenzano D23/262
 9,523,454 B2 12/2016 Schutte et al.

D779,315 S 2/2017 Hinkle
 D782,621 S * 3/2017 Smith D23/259
 D787,648 S * 5/2017 Smith D23/259
 9,705,295 B1 7/2017 Smith
 D822,180 S * 7/2018 Rolston D23/259
 2006/0151995 A1 7/2006 Saarem et al.
 2010/0279530 A1 * 11/2010 Auray H02G 3/065
 439/157
 2012/0086196 A1 4/2012 Smith
 2012/0205909 A1 * 8/2012 Bird F16L 21/022
 285/337
 2017/0356580 A1 * 12/2017 Huang F16L 41/00

FOREIGN PATENT DOCUMENTS

EP 1004805 A2 5/2000
 EP 1722146 B1 10/2007
 EP 2246607 A1 11/2010

OTHER PUBLICATIONS

Watts LFLA845 Pipe Nipple, 1/2-Inchx6-Inch, dated Apr. 23, 2011, [online], [site visited Oct. 3, 2018]. Available from Internet, <URL: <https://www.amazon.com/dp/B004VT2XOM>> (Year: 2011).*

Halex 1 in. Electric Metallic Tube (EMT) Set-Screw Coupling, dated May 6, 2015, [online], [site visited Oct. 3, 2018]. Available from Internet, <URL: <https://www.homedepot.com/p/Halex-1-in-Electric-Metallic-Tube-EMT-Set-Screw-Coupling-62810/202241090>> (Year: 2015).*

"Snap2It® Connectors with the Widest Cable Ranges," Idea Digital Content, ideadigitalcontent.com, brochure; 2006; whole document.

* cited by examiner

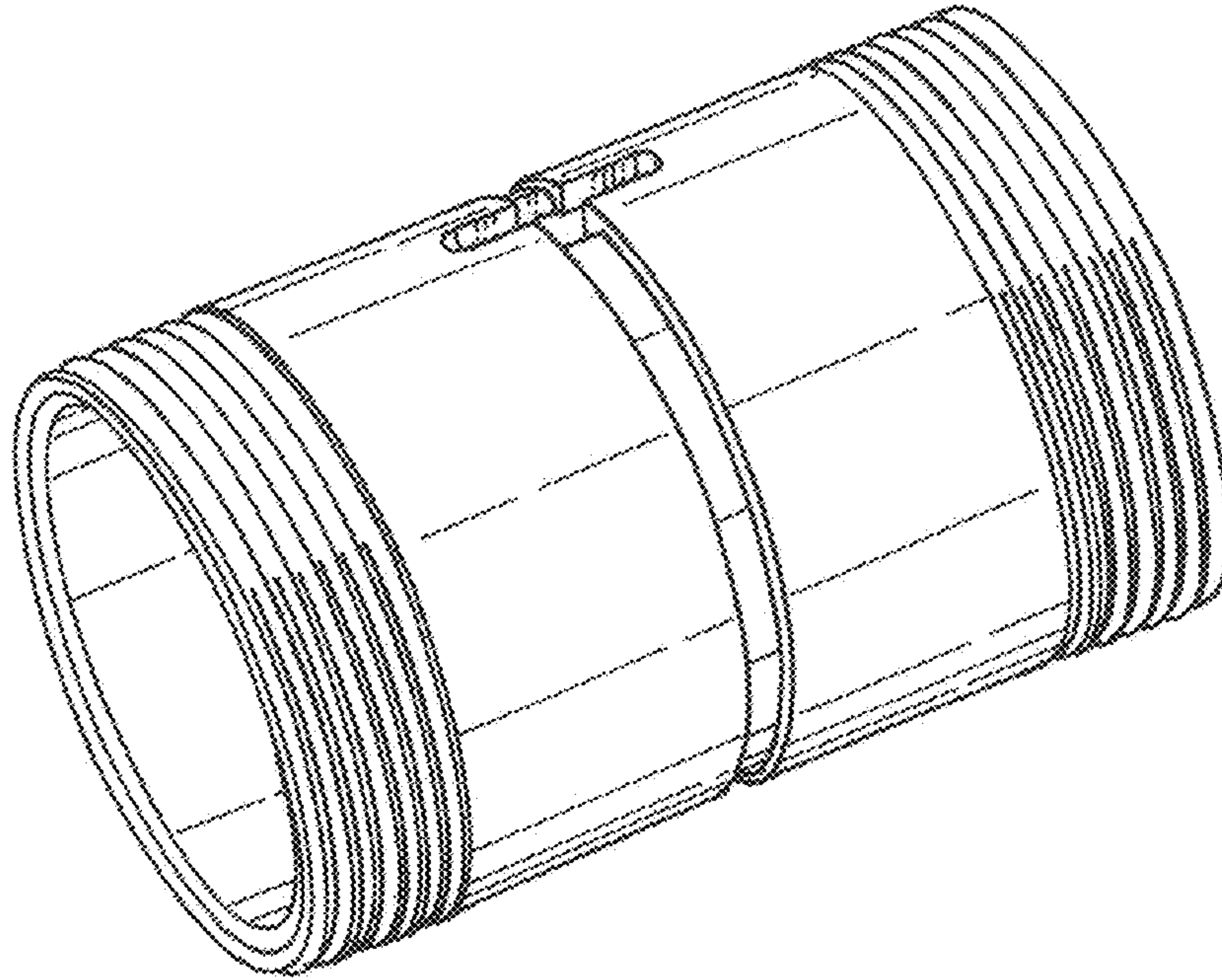


FIG. 1

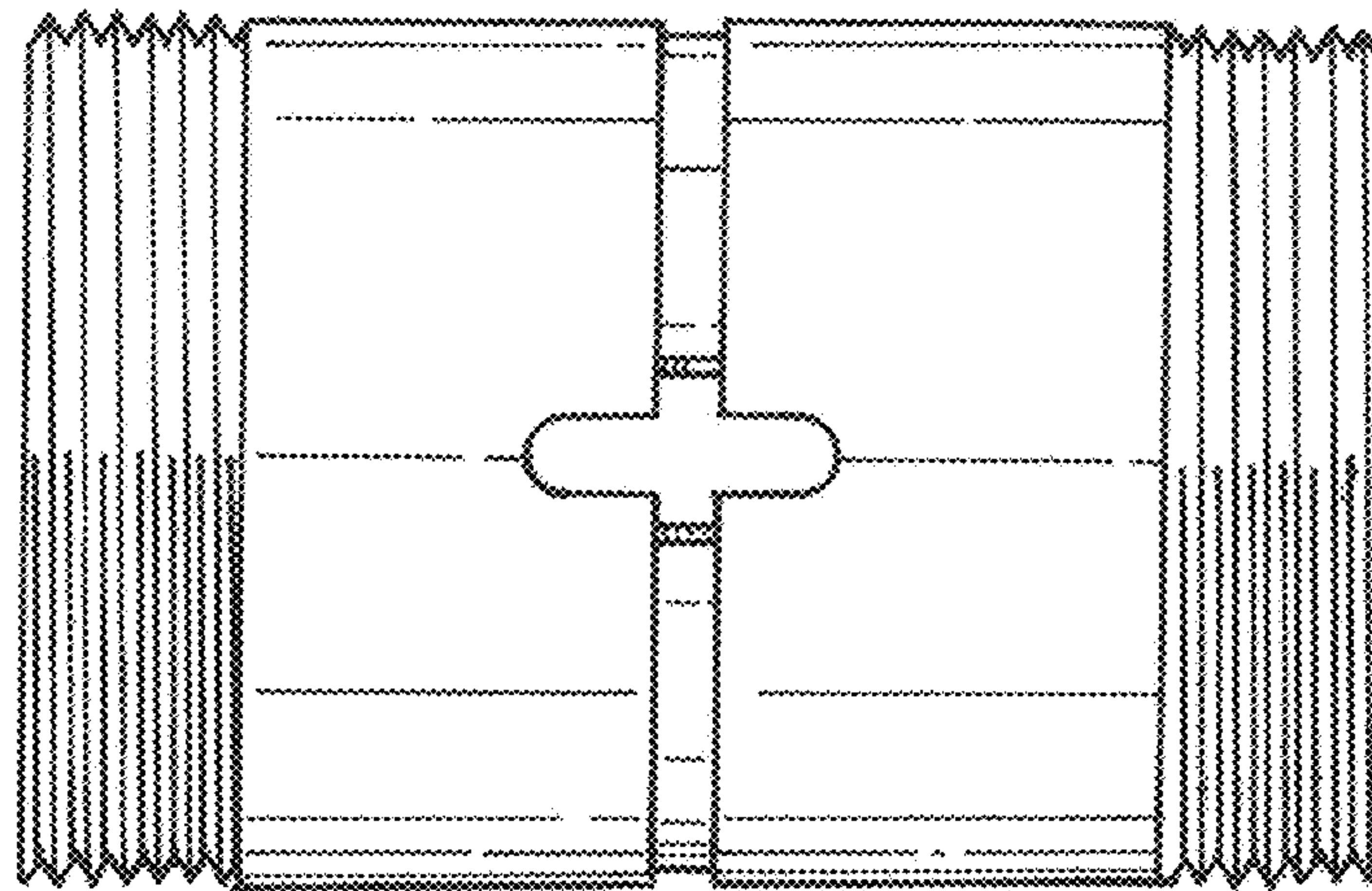


FIG. 2

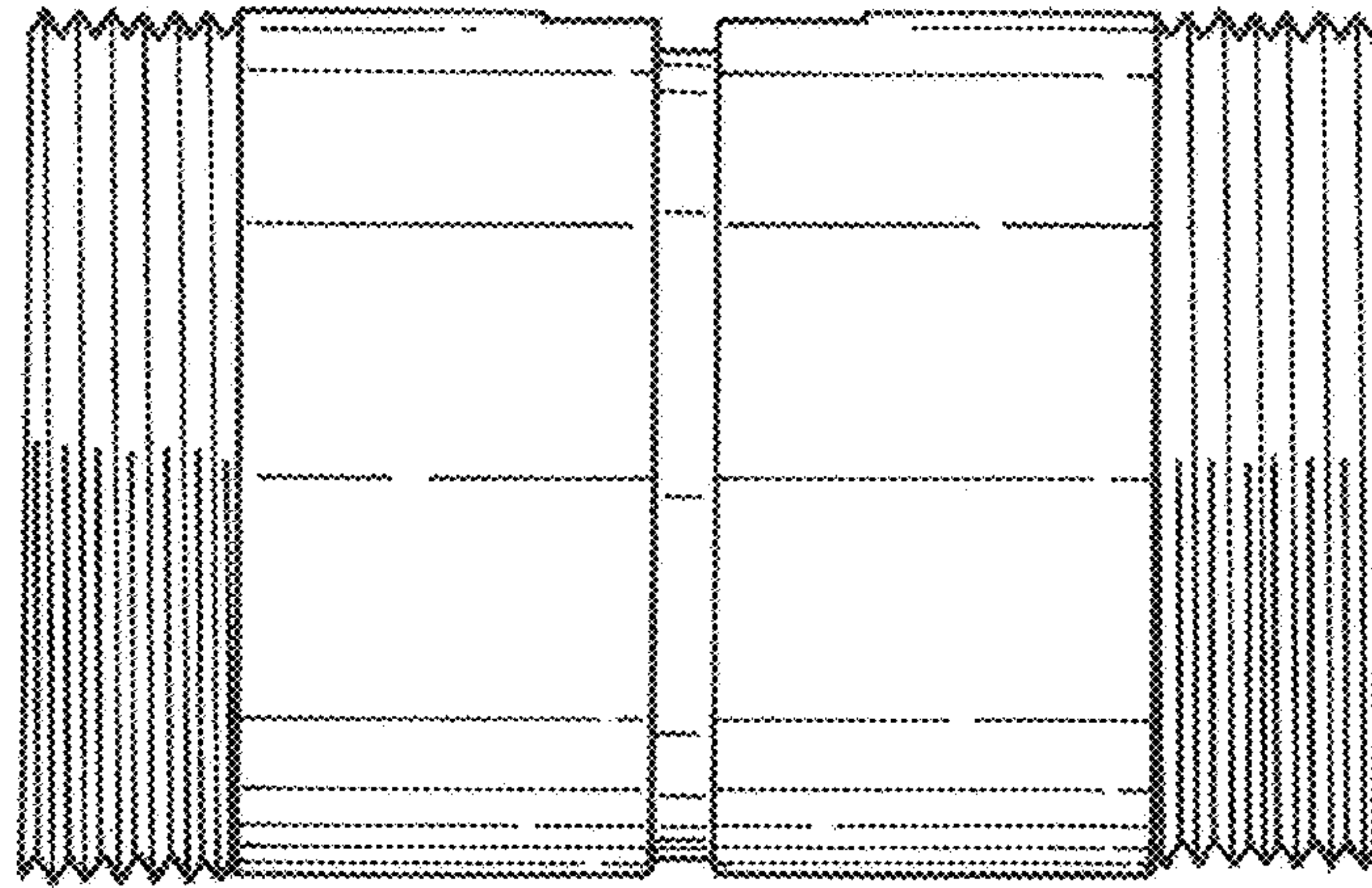


FIG. 3

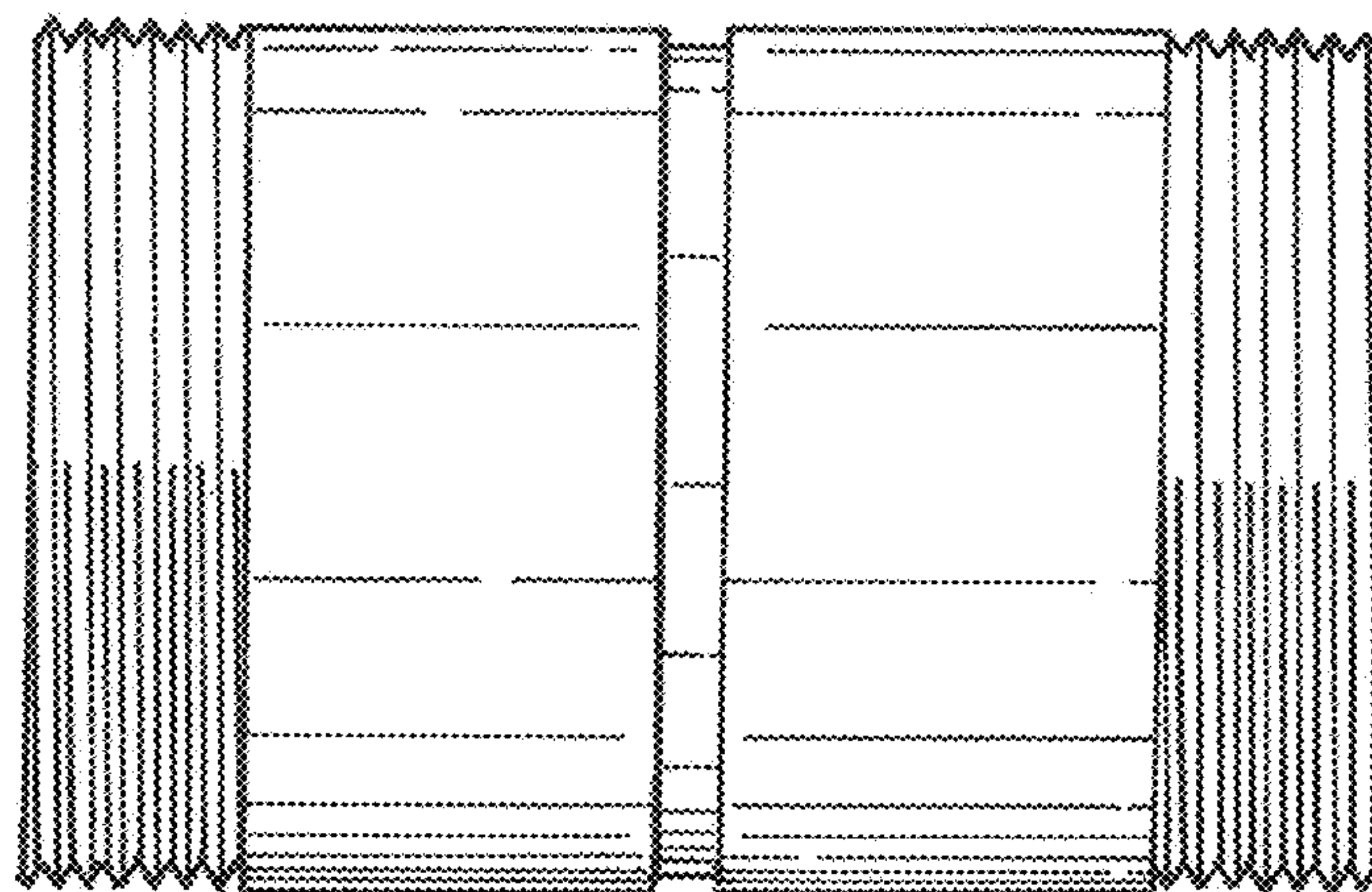


FIG. 4

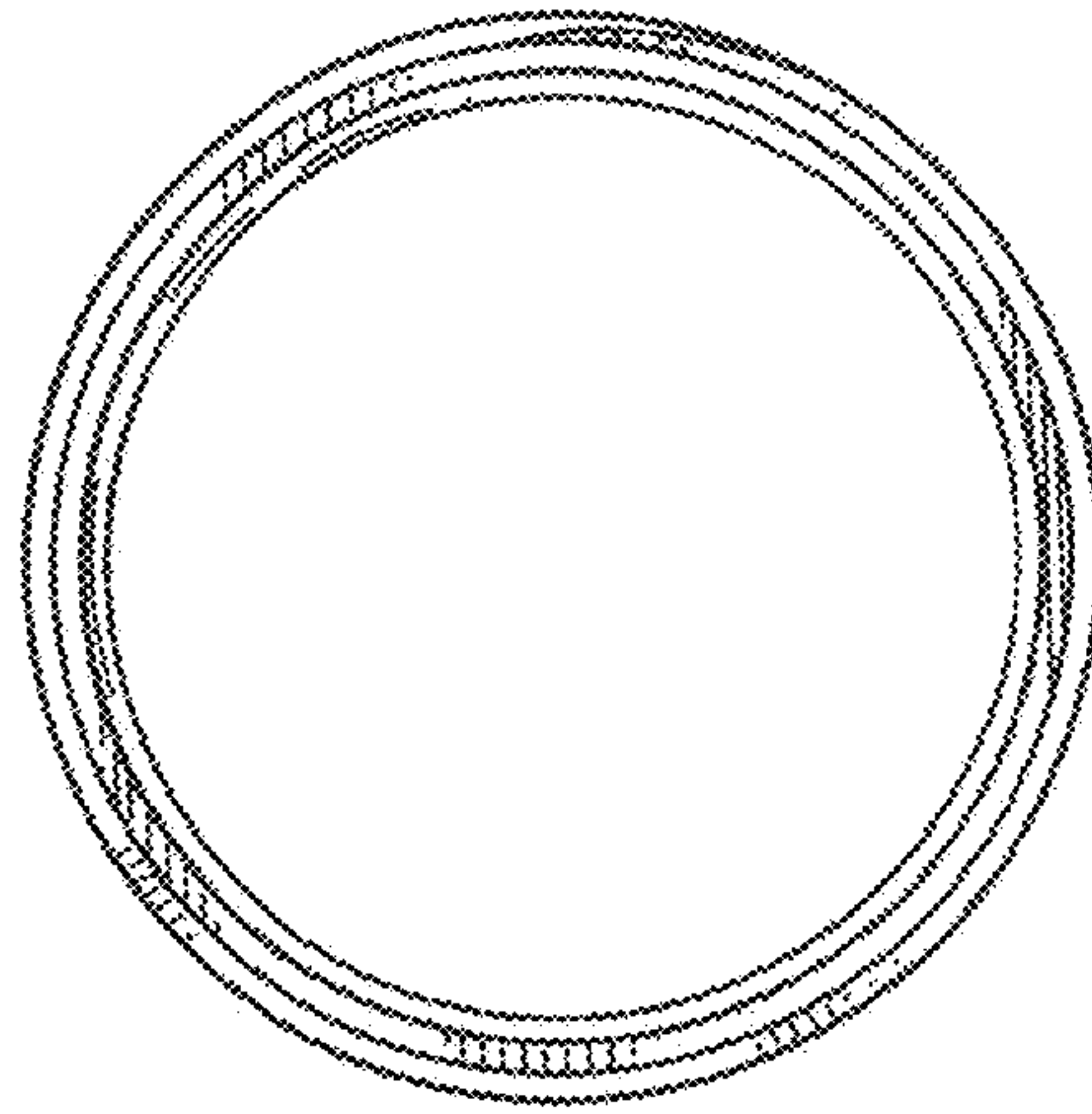


FIG. 5

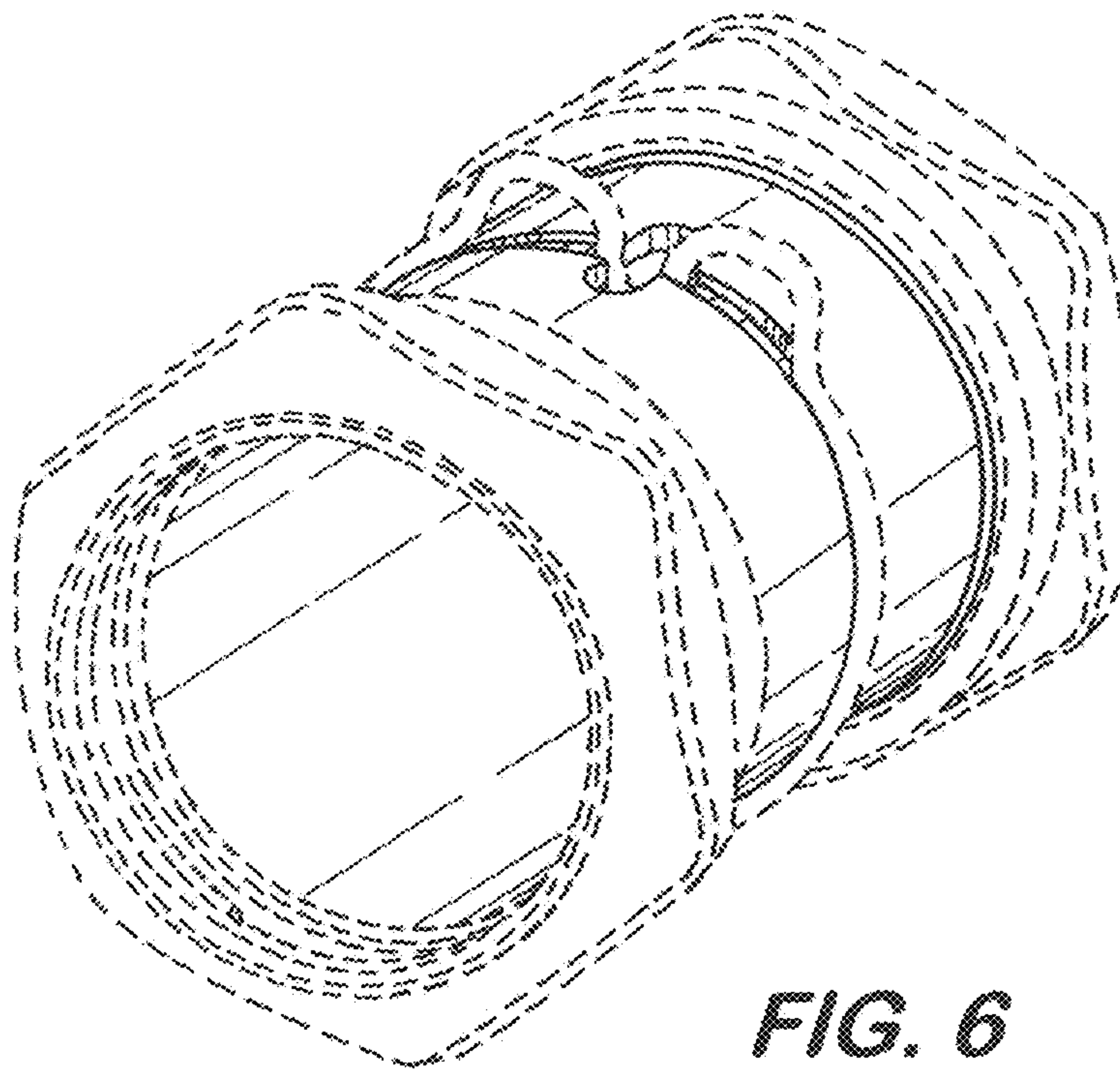


FIG. 6